



TRIANGLE™

Est. 1919

FLAGG
SUSPENSION PARTS



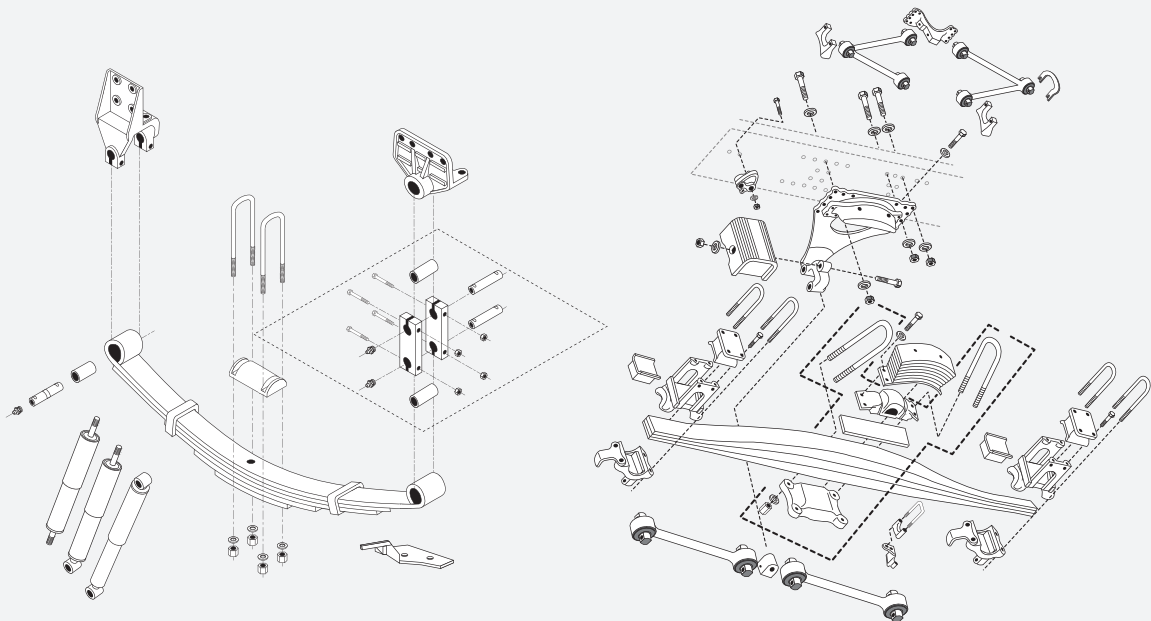
TRIANGLE
SPRING®



Continental
CONTITECH
AIR SPRINGS DISTRIBUTED BY
TRIANGLE

SUSPENSION IDENTIFICATION GUIDE

**AUXILIARY ▾ LIGHT DUTY
TRAILER ▾ TRUCK/TRACTOR**



**ADVANCE MIXER ▾ BLUEBIRD ▾ CHALMERS ▾ FORD ▾ FREIGHTLINER
GM ▾ HENDRICKSON ▾ HINO ▾ HUTCHENS ▾ INTERNATIONAL ▾ KENWORTH
MACK ▾ PETERBILT ▾ REYCO ▾ SAF ▾ VOLVO**



The purpose of Triangleusa.com, WebSST™, and Triangle literature such as this Reference Guide, is to provide users information about Triangle. Information provided does not constitute, nor is it intended to constitute, professional advice or services. Users are encouraged to consult with their professional advisors regarding suspension applications.

Proper inspection, service and repair of the entire suspension system are important for safe and reliable operation of any suspension system.

The use of the names of manufacturers and their product numbers is for the assistance of our customers in identifying replacement parts. Names may be trademarks or trade names of manufacturers and suppliers other than Triangle Suspension Systems, Inc. and there is no affiliation between Triangle Suspension Systems, Inc. and such manufacturers and suppliers.

The SRI part numbers assigned by SRI are the intellectual property of, and owned by, SRI, and any use of the SRI part numbers without SRI's express written permission is prohibited.

Individuals are permitted to print material published for individual, private use only. It is required that you maintain our integrity and do not retransmit or modify any files without the expressed written permission of Triangle. Triangle materials are available for individual private use only and may not be sold, distributed, modified, published, licensed or recreated for commercial or public use. Use of Triangle logos or other logos displayed on this site remain the property of Triangle and other parties. Do not distribute or use these marks or logos without written consent.

The information on Triangleusa.com or WebSST™ changes continuously. The information is available to you 'as is' without any guaranty or warranty of any kind. Although accuracy is important to us, Triangle shall have no responsibility for errors or omissions contained in this information, nor shall Triangle have any responsibility for any results obtained from the use of information provided. In no event will Triangle, any of its affiliates, or their directors, officers or employees be liable to any party for loss or damage of any kind arising from the use or inability to use this information.



Contact Triangle Customer Service for more information

1-800-458-6077

www.TriangleUSA.com

TriangleSST.com



Suspension Application Guide

Table of Contents by Vehicle Application Type

~~ Auxiliary Suspension ~~	<i>Page</i>
<i>Hendrickson Model List</i>	1
Hendrickson	2-13
Page	14-16
Reyco/Granning	17
<i>Ridewell Model List</i>	18
Ridewell	19-26
Watson & Chalin	27
~~ Bus/Coach Suspension ~~	<i>Page</i>
Bluebird	28-30
Ridewell	31
~~ Dolly Suspension ~~	<i>Page</i>
<i>Dolly Model List</i>	32
Hendrickson	33
Silver Eagle	34-35
~~ Light Duty Suspension ~~	<i>Page</i>
Dodge	36-42
Ford	43-50
GM	51-61
Nissan	62-65
Toyota	66-67
Workhorse	68-69
~~ Trailer Suspension ~~	<i>Page</i>
Binkley	70
Chalmers	71
Fruehauf	72-79
<i>Hendrickson Model List</i>	80
Hendrickson	81-88
Hutchens	89-94
Meritor	95-96

Suspension Application Guide

Table of Contents by Vehicle Application Type

~~ Trailer Suspension ~~	Page
Neway	97-101
Reyco	102-110
Ridewell	111-115
<i>SAF Holland Neway Model List</i>	116
SAF Holland Neway	117-132
Silver Eagle	133
Trailmobile, Late Model 4-Spring	134
Watson & Chalin	135--137
~~ Truck/Tractor Suspension ~~	Page
Advance Mixer	138
Autocara	139-142
Bluebird	143-144
Chalmers	145-151
Crane Carrier	152
Ford	153-159
<i>Freightliner Model List</i>	160
Freightliner	161-189
GM	190-199
<i>Hendrickson Model List</i>	200
Hendrickson	201-232
Hino	233
<i>International Model List</i>	234
International	235-263
Isuzu	264
Kenworth	265-271
<i>Mack Model List</i>	272
Mack	273-291
Oshkosh	292
Ottawa	293



Suspension Application Guide

Table of Contents by Vehicle Application Type

~~ Truck/Tractor Suspension ~~	Page
<i>Peterbilt Model List</i>	294
Peterbilt	295-310
Reyco	311-317
Ridewell	318
<i>SAF Holland Neway Model List</i>	319
SAF Holland Neway	320-342
Spartan, Chassis, Front	344
Sterline	345
Thomas	346-347
Volvo	348-362
Western Star	363-367

Finding an Application Schematic

- **Application Type**
 - *Truck/Trailer Suspension*
- **Vehicle Make**
 - *International*
- **Vehicle Model**
 - *Eagle 9000*
- **Spring Location**
 - *Front*
- **Spring Width**
 - *4 inch*
- **Bushing Type**
 - *Threaded*

International, Models 2500-2600, 8000-8300, 9000-9900 Series, 4" wide Springs
 with Threaded Bushings, Front, Truck/Tractor Suspension



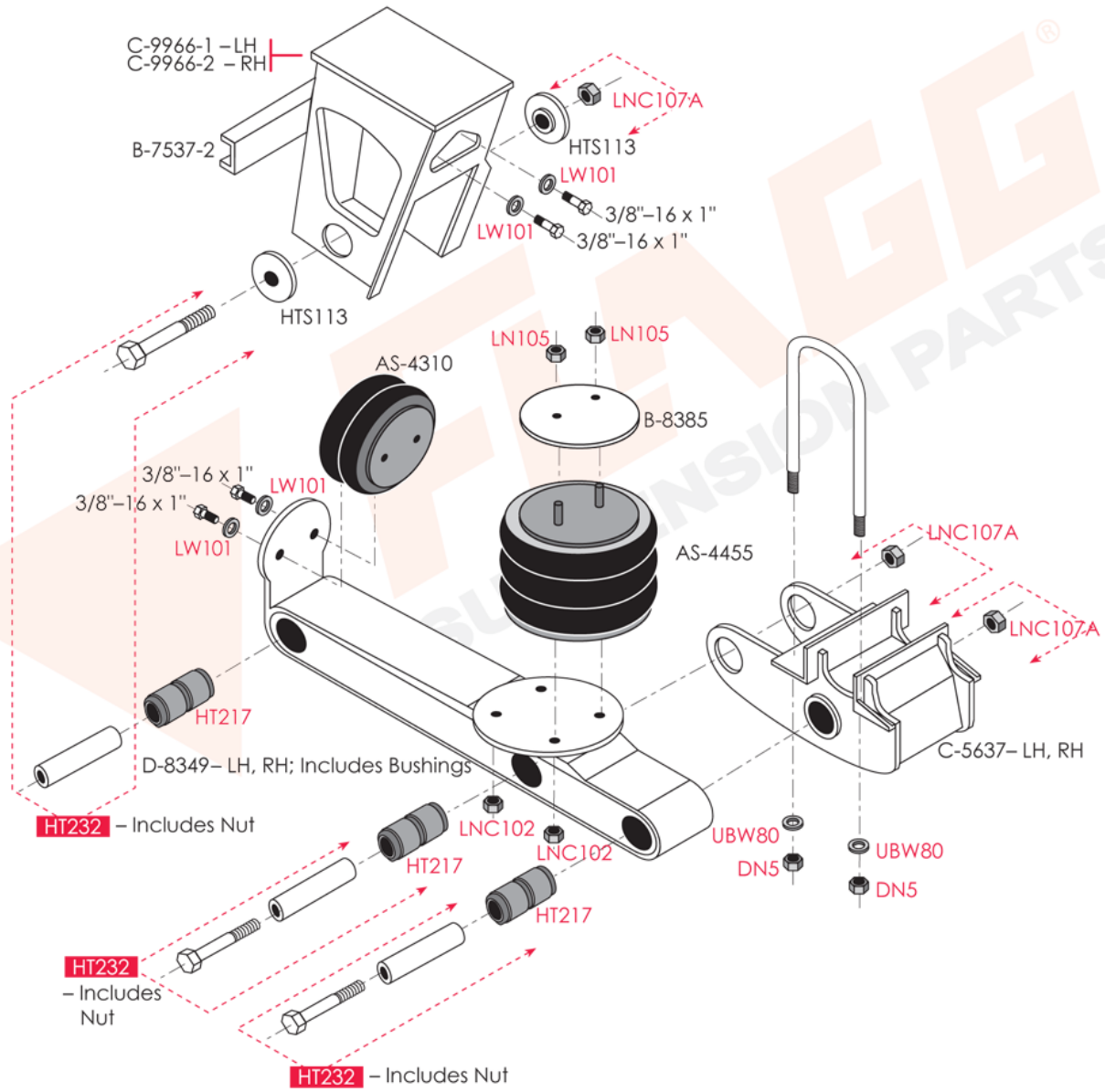
INTERNATIONAL
 EAGLE 9000 SERIES, FRONT, W/THREADED SPRING PINS
 TRUCK/TRACTOR SUSPENSION

Suspension Application Guide

Table of Contents by Vehicle Application Type

~~ Hendrickson Auxiliary Suspension ~~	<i>Page</i>
Hendrickson, HL, RW, Lift Axle Suspension	2
Hendrickson, HLM Lift Suspension, 1992 - 1997, Lift Axle Suspension	3
Hendrickson, HLM2, 2002 - 2014, Lift Axle Suspension	4
Hendrickson, HLN, HLP, HLU, HLU5 Paralift, Lift Axle Suspension	5
Hendrickson, HLQ-LF, HLQ-AH, SR; Q-AH, SR, TRU, Lift Axle Suspension	6
Hendrickson, HLQ-TR, QTR Series, Lift Axle Suspension	7
Hendrickson, HLQ-TRU, Q-TRU Series, Lift Axle Suspension	8
Hendrickson, HLQ-W, Q-W, Lift Axle Suspension	9
Hendrickson, Models HL, HLR-W, Lift Axle Suspension	10
Hendrickson, MT45, MTL45, MTL50, Lift Axle Suspension	11
Hendrickson, ST-004, Lift Axle Suspension	12
Hendrickson, ST-031, Lift Axle Suspension	13

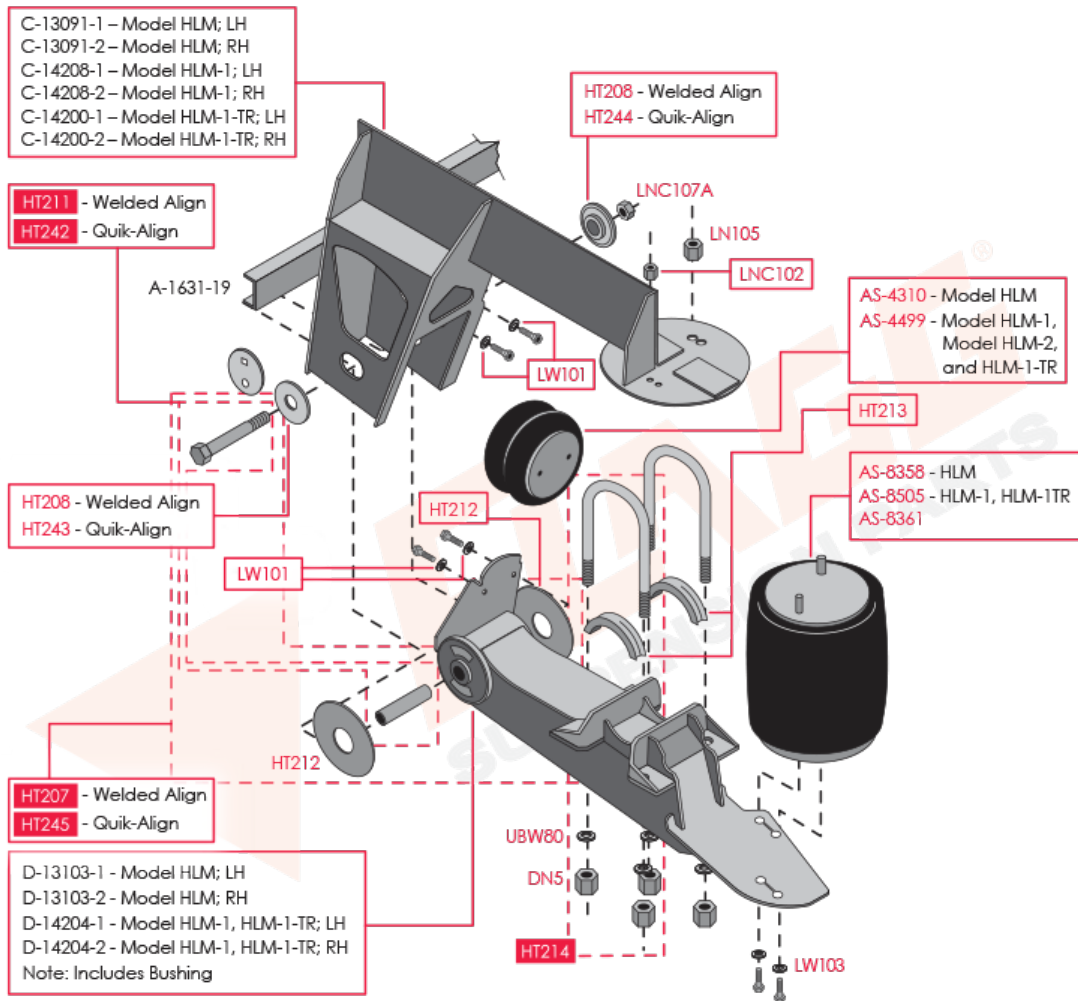
Hendrickson, HL, RW, Lift Axle Suspension



Hendrickson, HLM Lift Suspension, 1992 - 1997, Lift Axle Suspension



HENDRICKSON HLM LIFT SUSPENSION 1992 - 1997



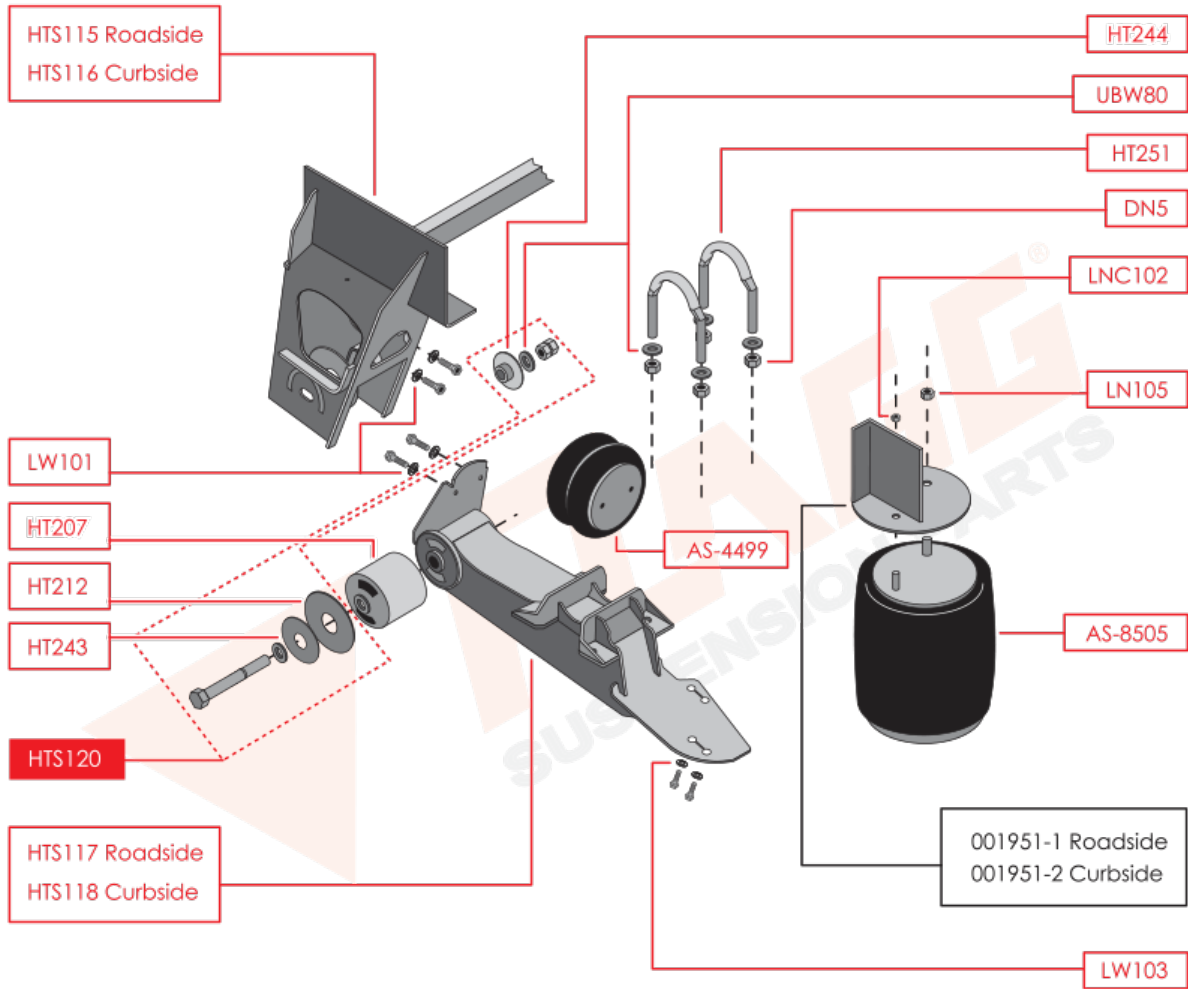
Hendrickson, HLM2, 2002 - 2014, Lift Axle Suspension



HENDRICKSON HLM2, LIFT AXLE SUSPENSION 2002 - 2014

***BOLD RED NUMBERS REFLECT TRIANGLE PART NUMBERS**

**ITALICIZED BLACK NUMBERS REFLECT OEM NUMBERS (USE FOR REFERENCE ONLY)*



Hendrickson, HLN, HLP, HLU, HLU5 Paralift, Lift Axle Suspension

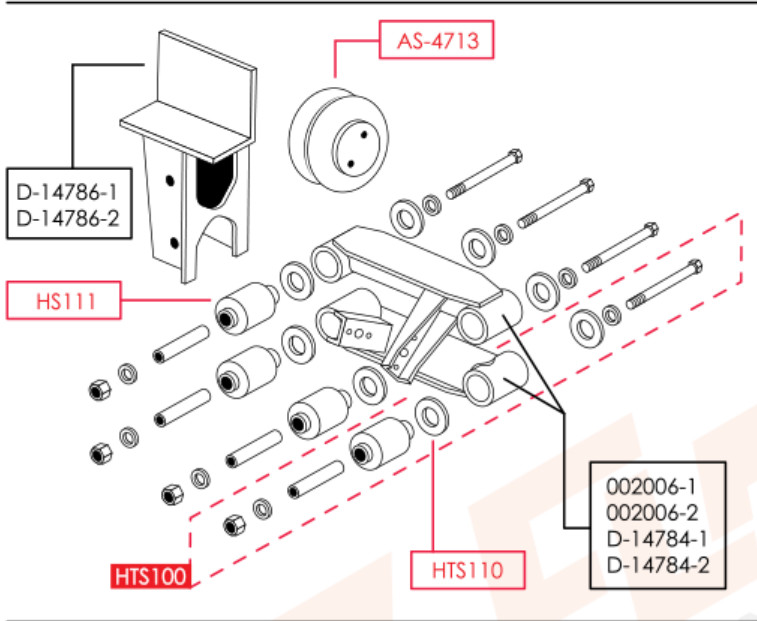


HENDRICKSON HLN/HLP/HLU/HLU5 PARALIFT LIFT AXLE SUSPENSION

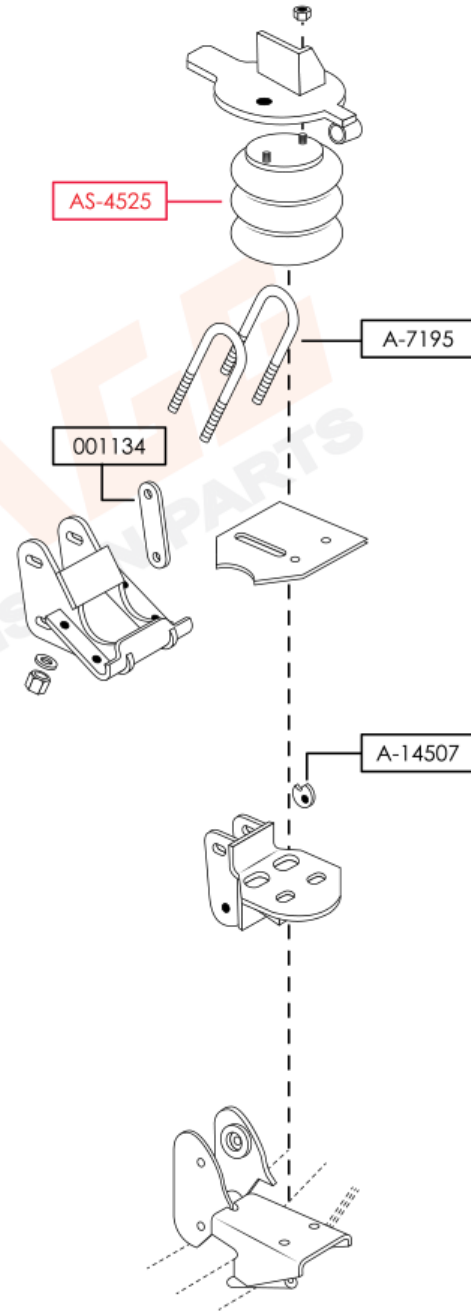
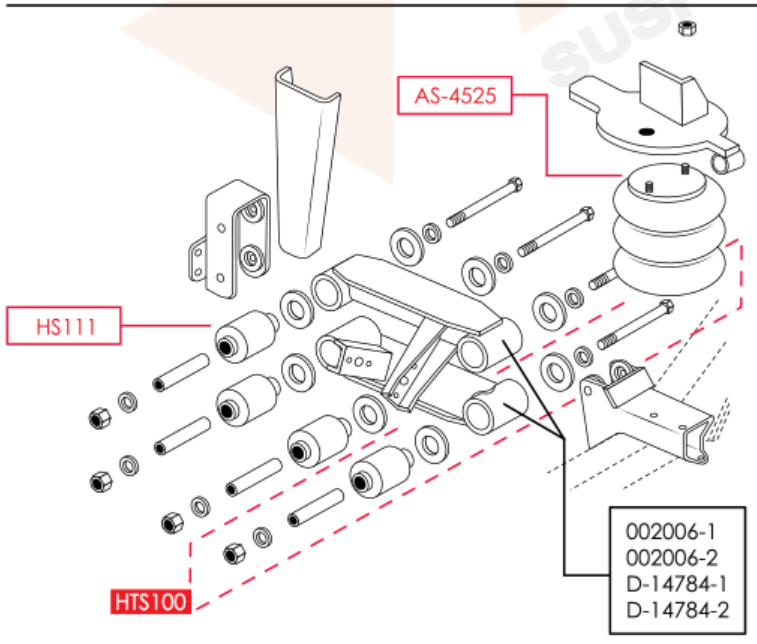
***BOLD RED NUMBERS REFLECT TRIANGLE PART NUMBERS**

**ITALICIZED BLACK NUMBERS REFLECT OEM NUMBERS (USE FOR REFERENCE ONLY)*

HLN, HLP, HLU



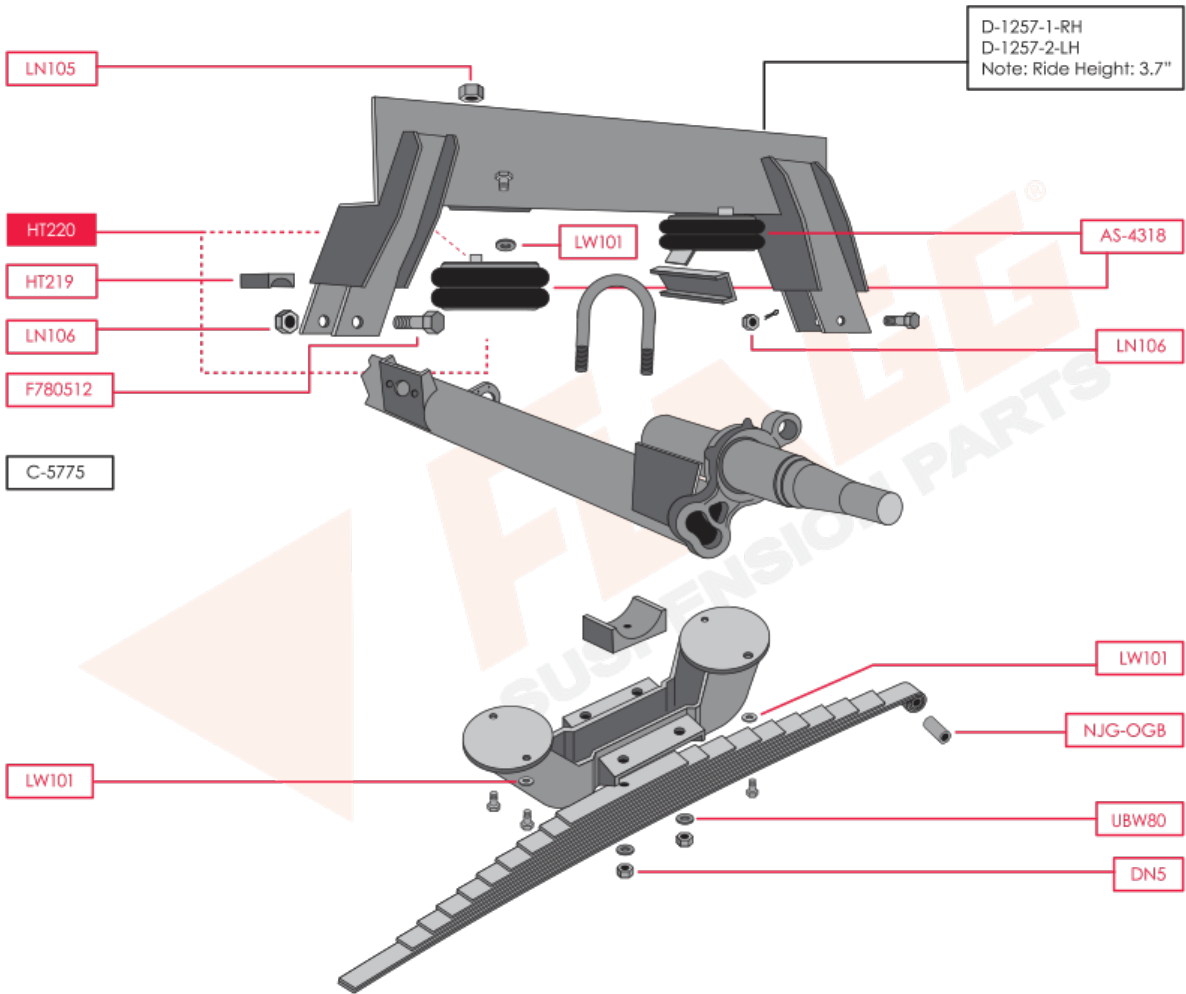
HLU5



Hendrickson, HLQ-LF, HLQ-AH, SR; Q-AH, SR, TRU, Lift Axle Suspension



HENDRICKSON HLQ-LF, HLQ-AH, SR, Q-AH, SR, TRU LIFT AXLE SUSPENSION

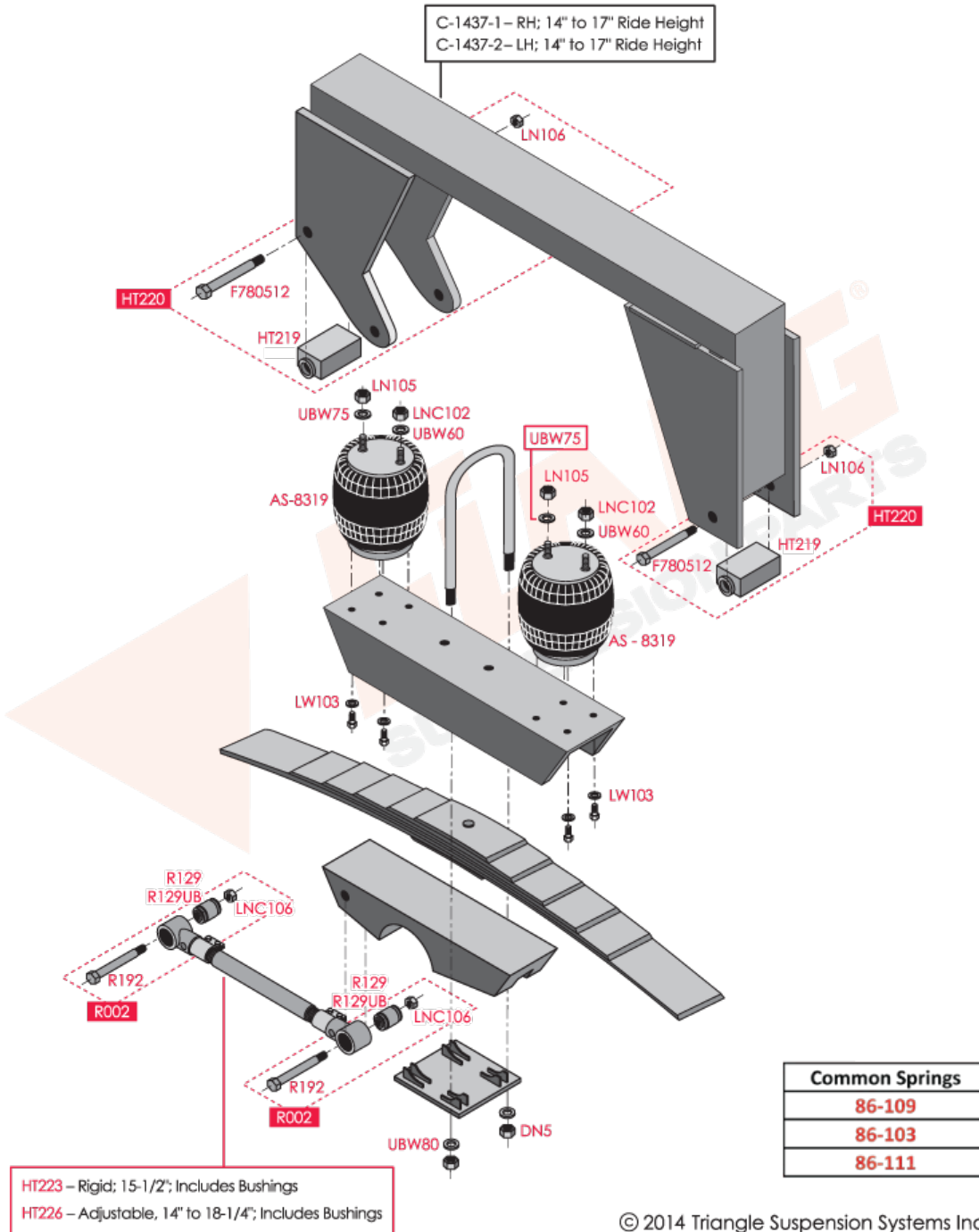


Common Springs
86-101

Hendrickson, HLQ-TR, QTR Series, Lift Axle Suspension



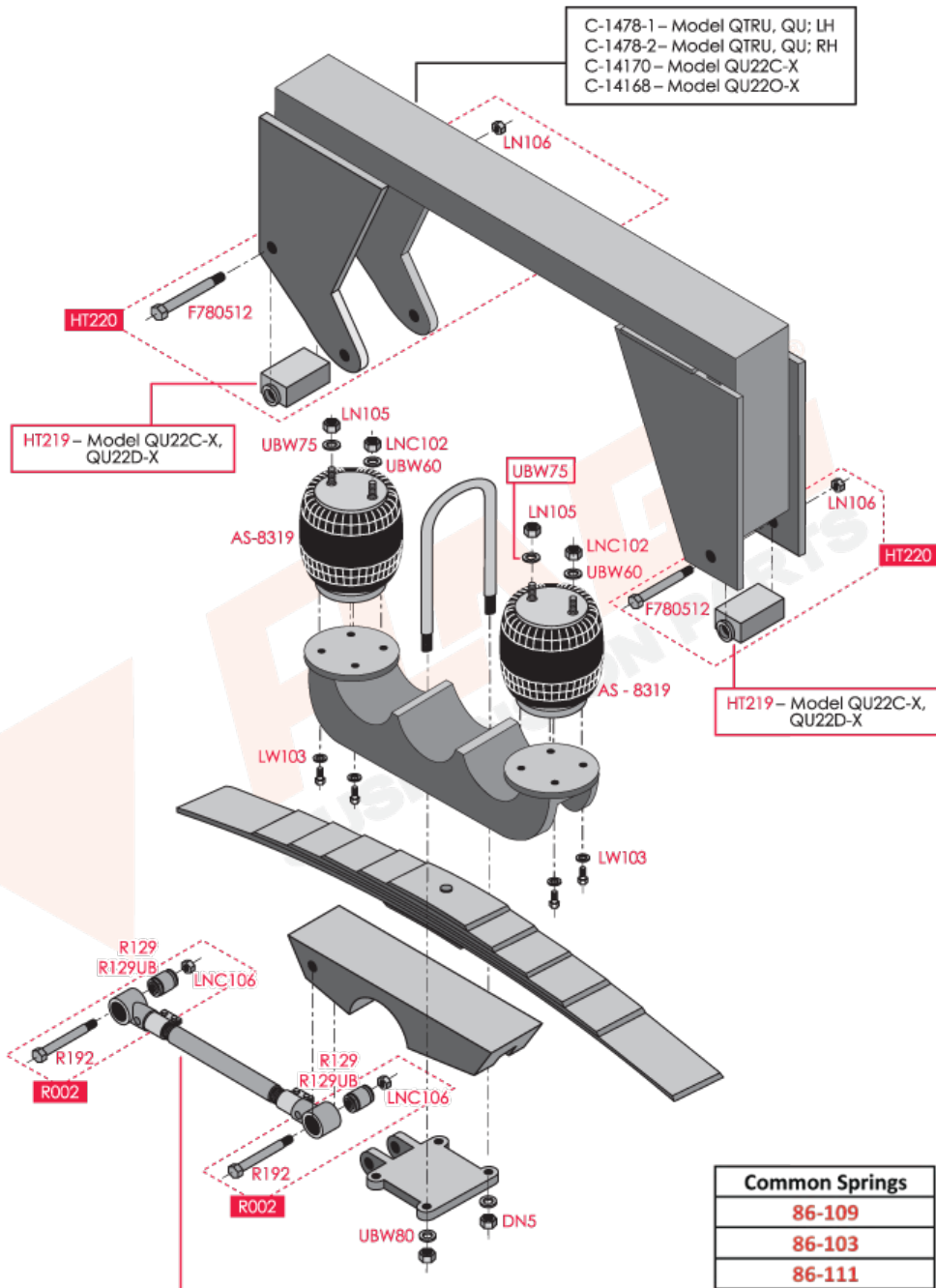
HENDRICKSON HLQ-TR, Q-TR SERIES TRAILER SUSPENSION



Hendrickson, HLQ-TRU, Q-TRU Series, Lift Axle Suspension



HENDRICKSON HLQ-TRU, Q-TRU SERIES LIFT AXLE SUSPENSION

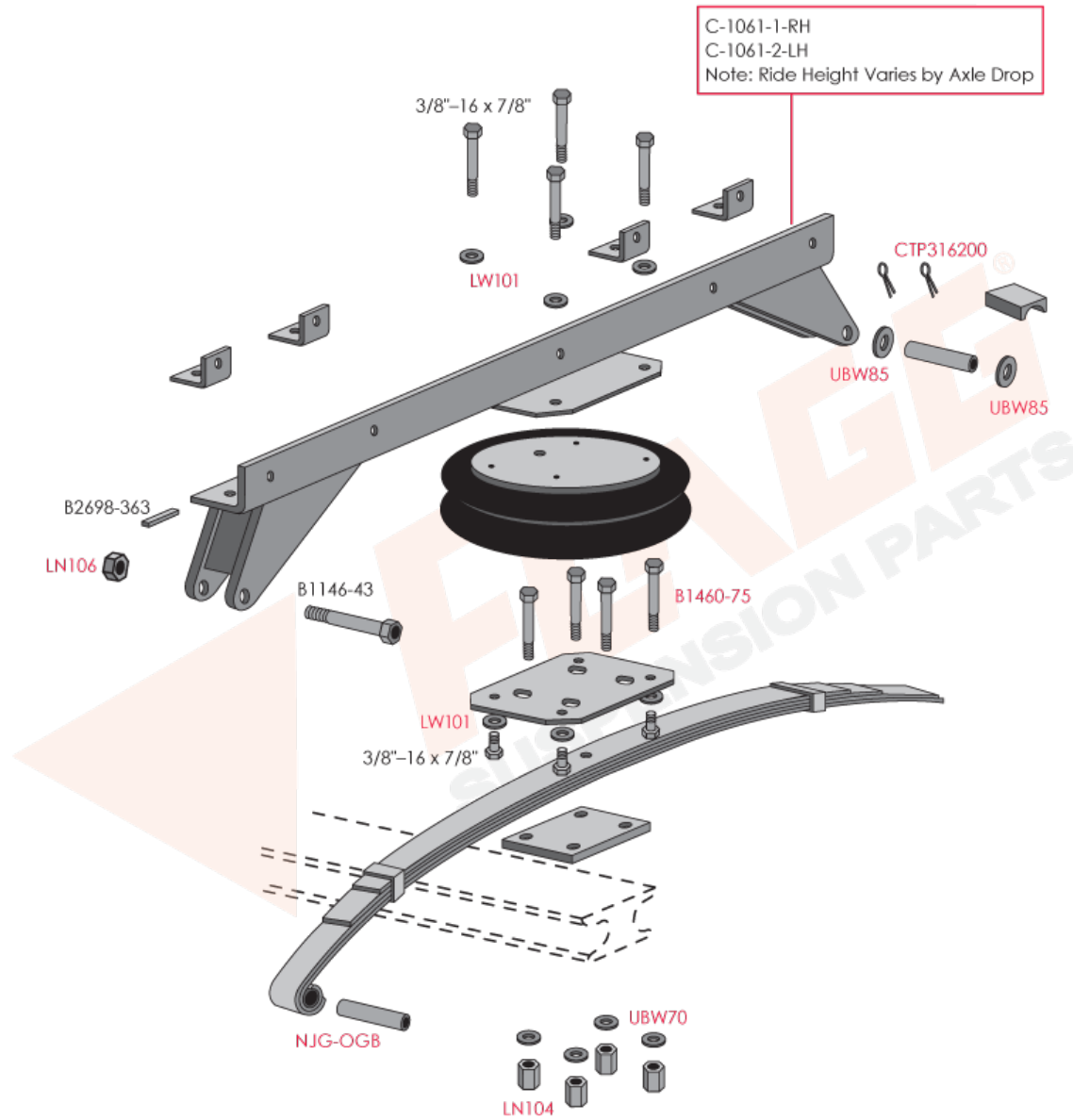


HT223 – Model QU22C-X, QU22D-X; Rigid; 15-1/2"; Includes Bushings
HT226 – Model QU22C-X, QU22D-X; Adjustable, 14" to 18-1/4"; Includes Bushings
HT224 – Model Q-TRU; Rigid; 19"; Includes Bushings
HT225 – Model Q-TRU; Adjustable, 18-1/4" to 21-3/8"; Includes Bushings

© 2014 Triangle Suspension Systems Inc.

Hendrickson, HLQ-W, Q-W, Lift Axle Suspension

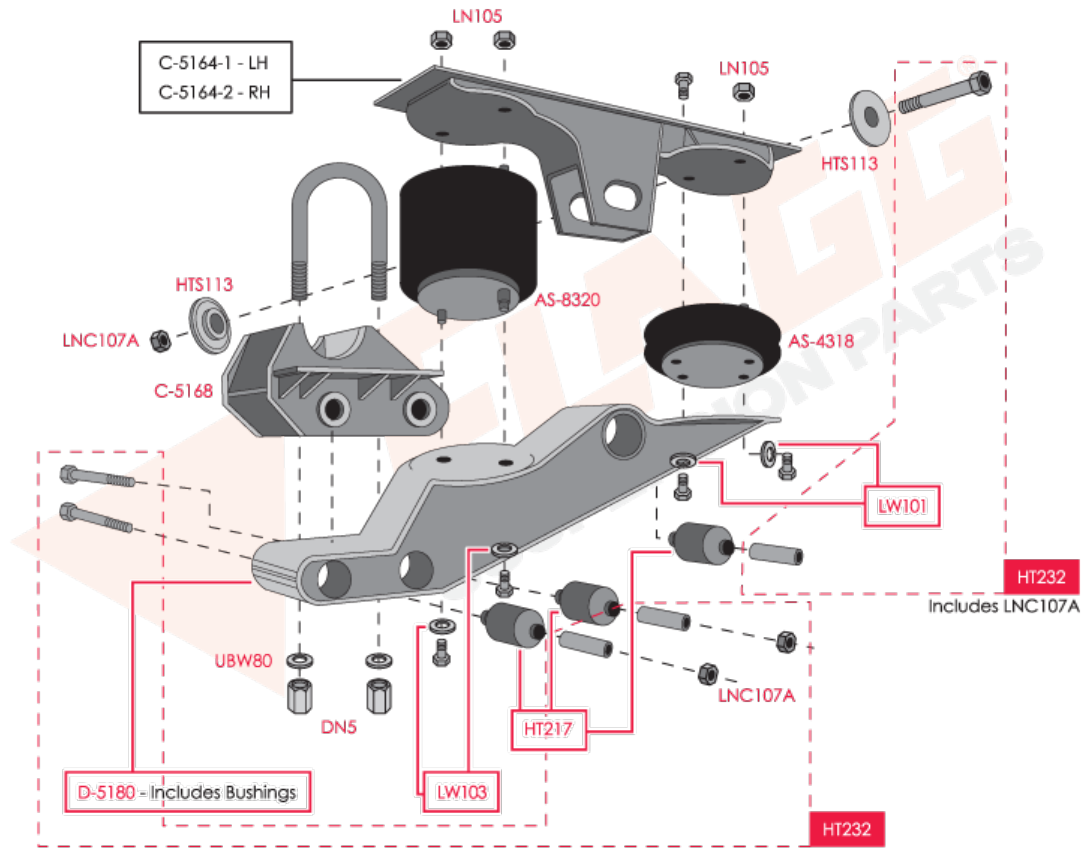
HENDRICKSON HLQ-W, Q-W LIFT AXLE SUSPENSION



Hendrickson, Models HL, HLR-W, Lift Axle Suspension



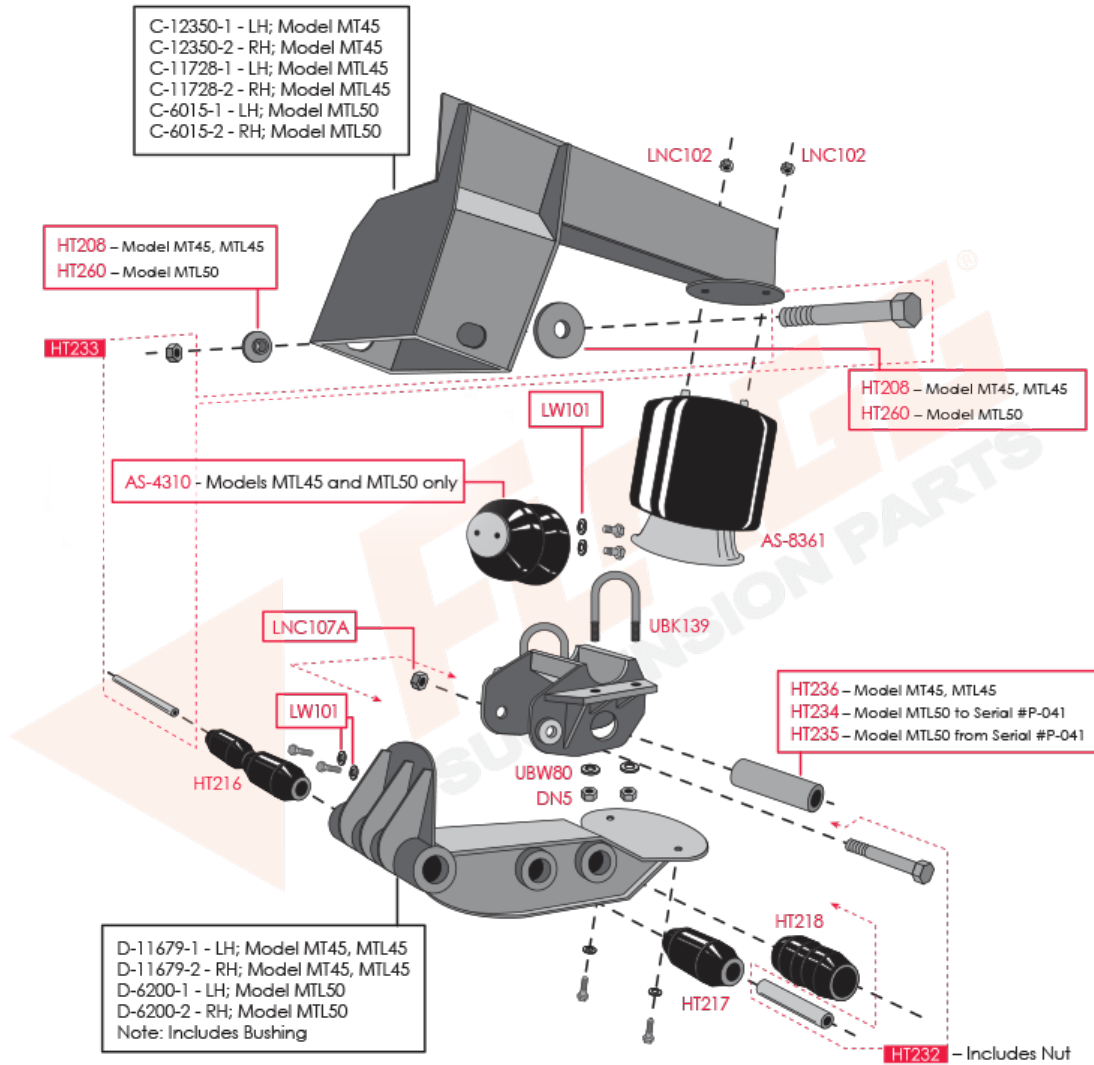
HENDRICKSON HL, HLR-W LIFT AXLE SUSPENSION



Hendrickson, MT45, MTL45, MTL50, Lift Axle Suspension



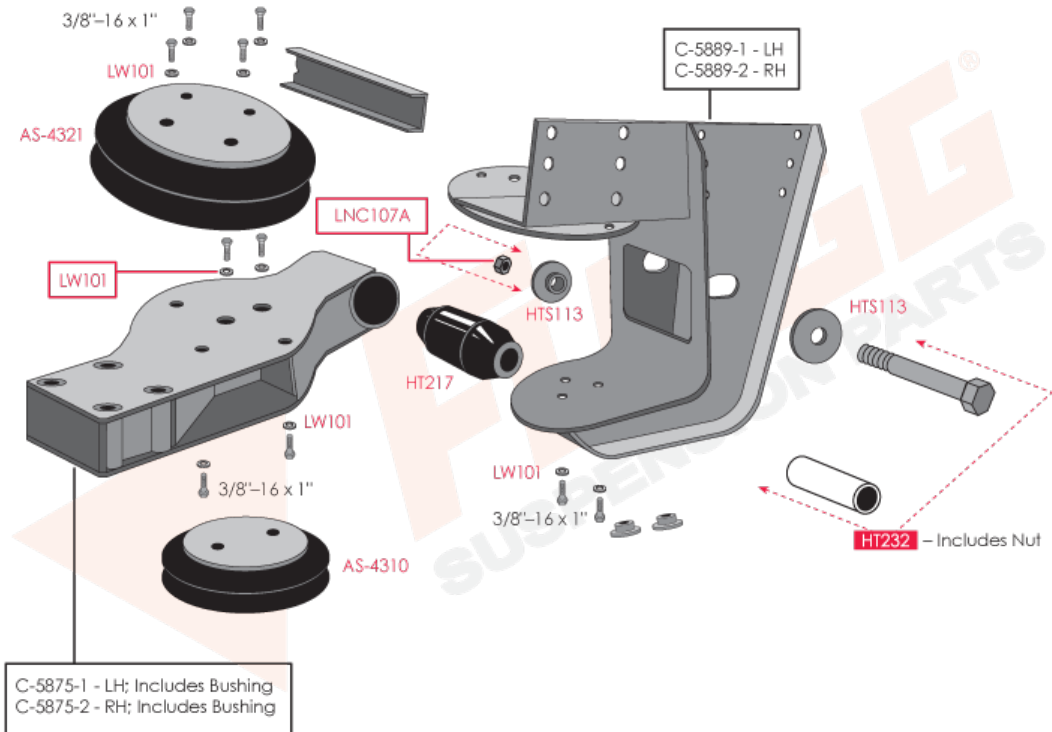
HENDRICKSON MT45, MTL45, MTL50 SERIES LIFT AXLE SUSPENSION



Hendrickson, ST-004, Lift Axle Suspension



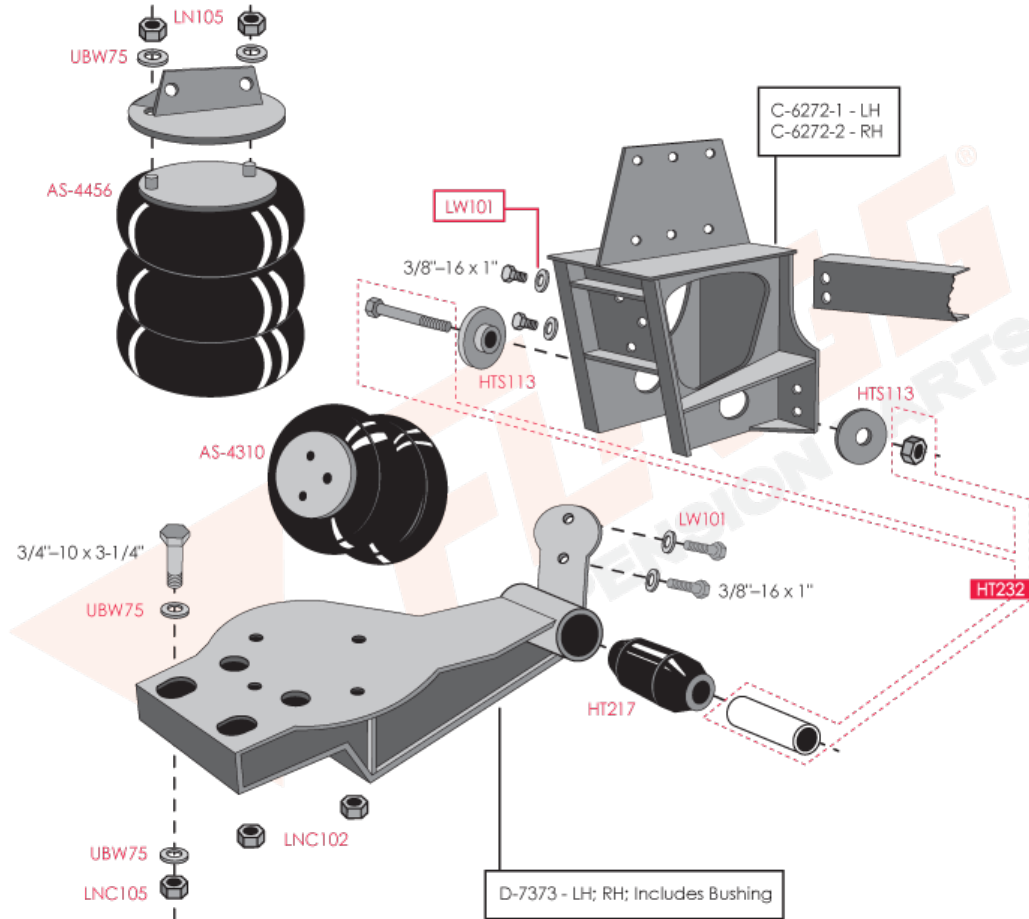
HENDRICKSON ST-004 LIFT AXLE SUSPENSION



Hendrickson, ST-031, Lift Axle Suspension

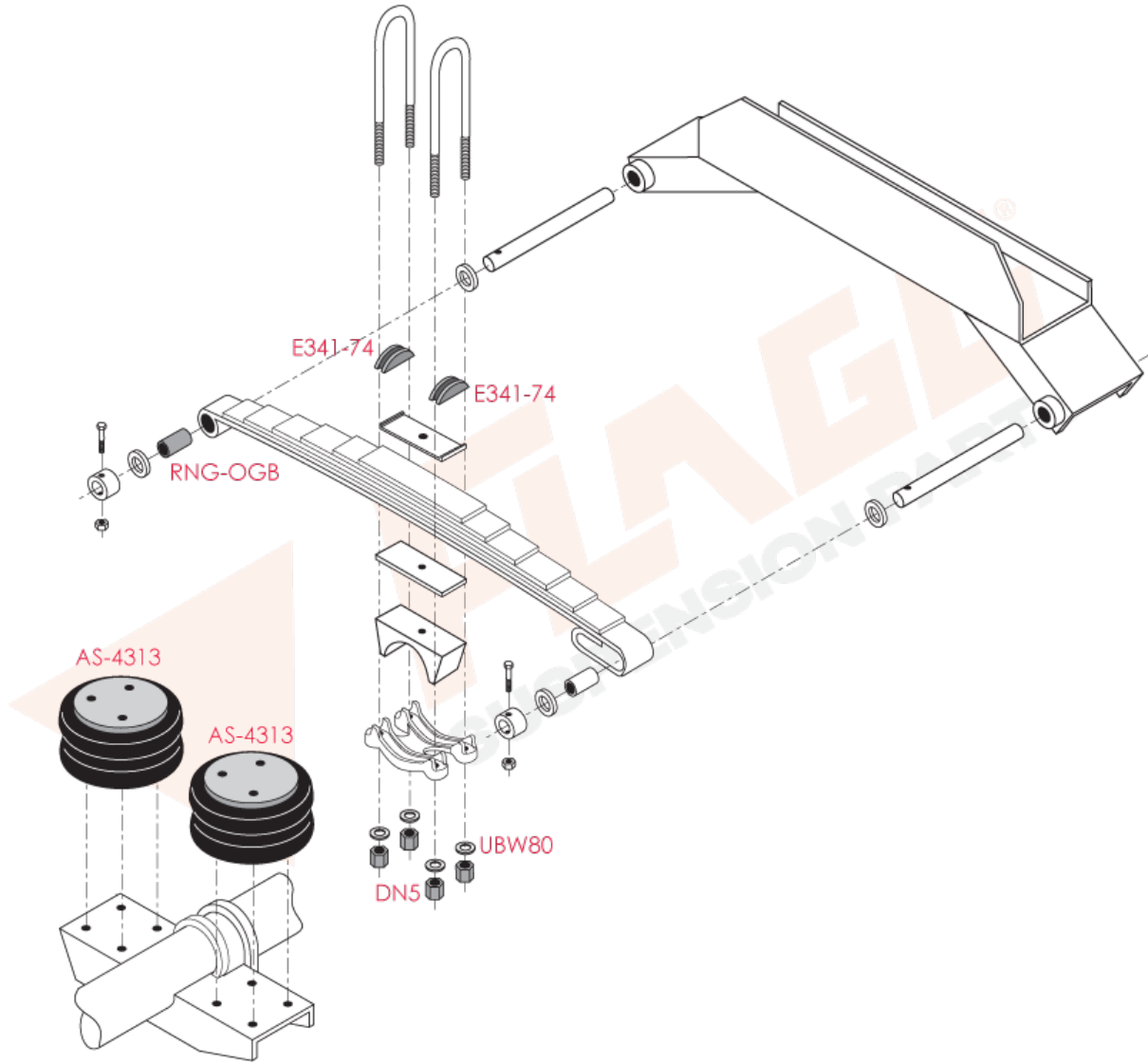


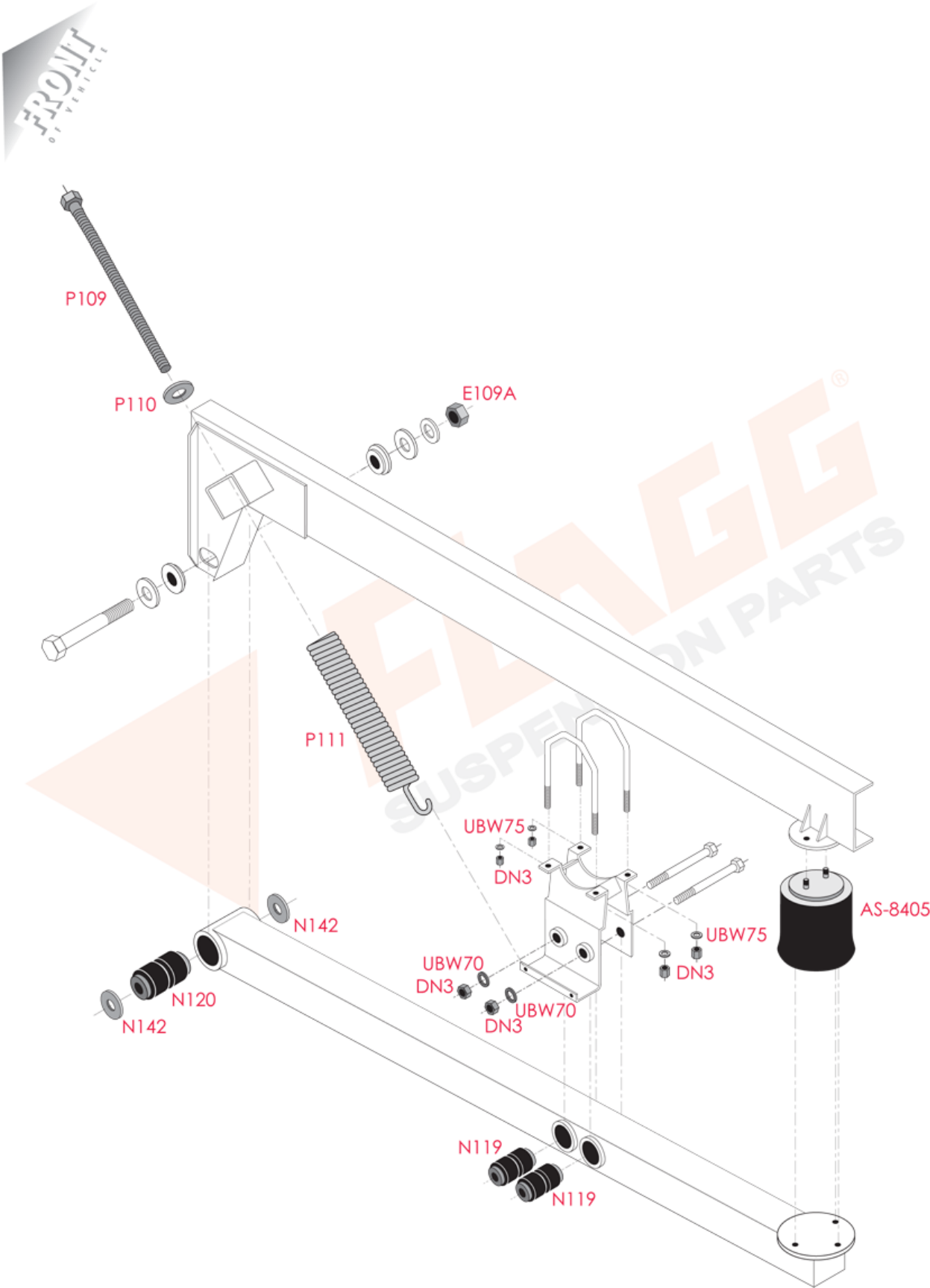
HENDRICKSON ST-031 LIFT AXLE SUSPENSION

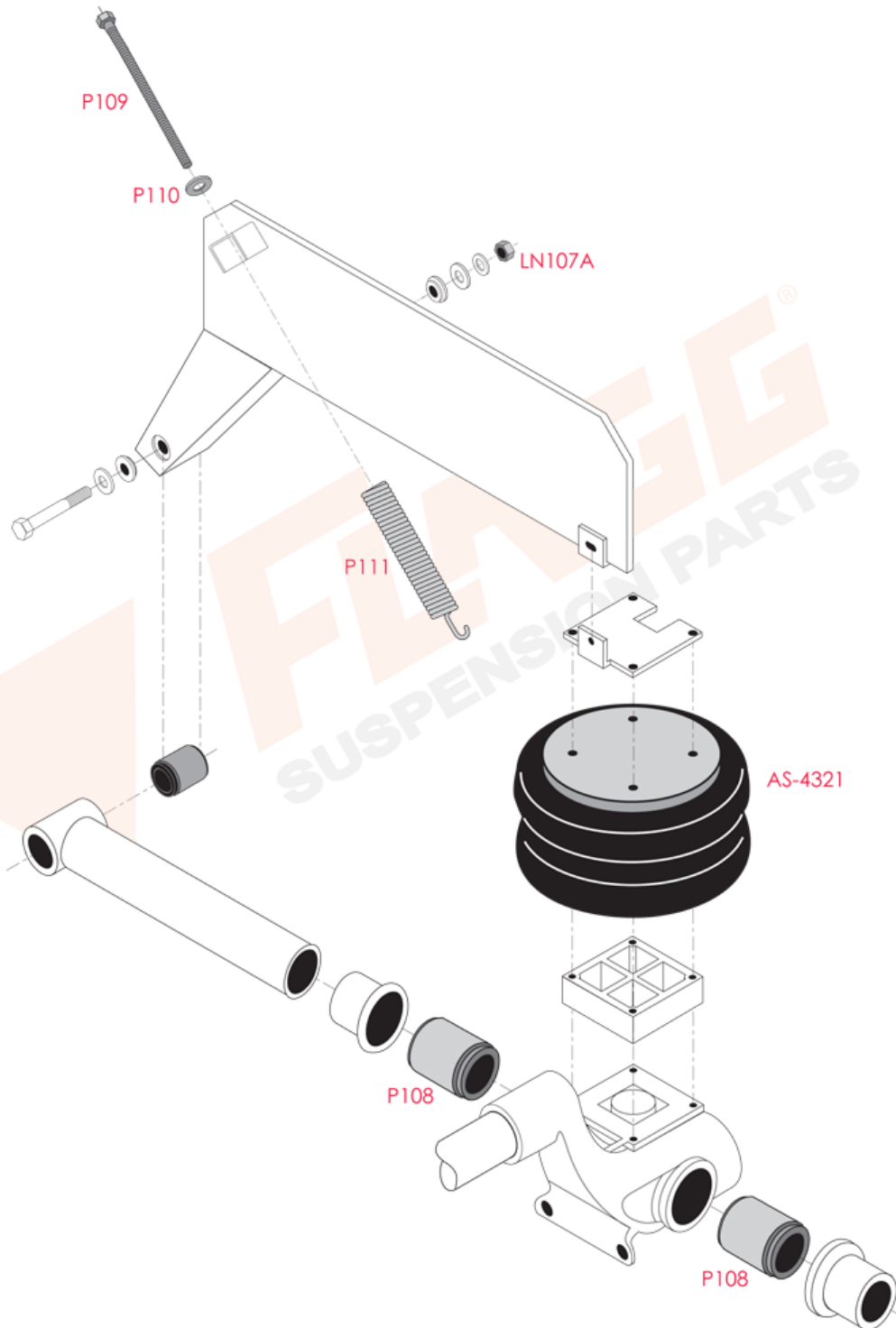


© 2014 Triangle Suspension Systems Inc.

PAGE
1400 SERIES - LIFT AXLE
TRUCK/TRACTOR SUSPENSION







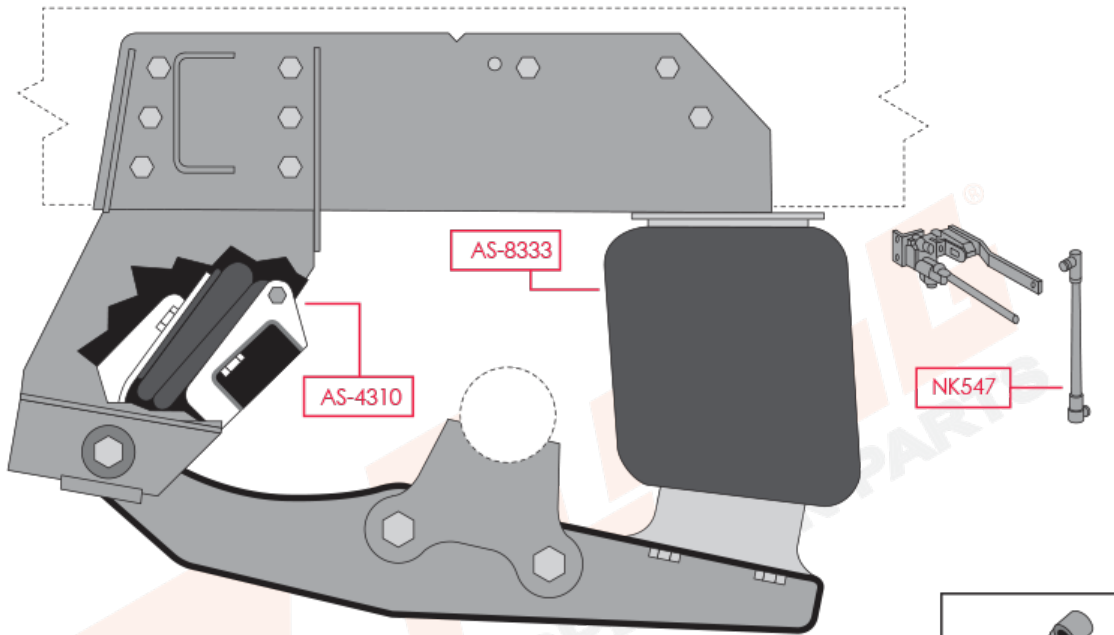
Reyco/Granning Model L225, Lift Axle Suspension



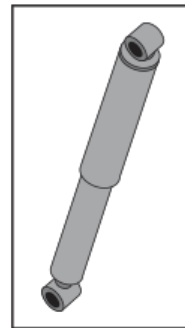
REYCO/GRANNING MODEL L225 LIFT AXLE SUSPENSION

***BOLD RED NUMBERS REFLECT TRIANGLE PART NUMBERS**

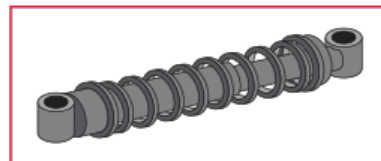
**ITALICIZED BLACK NUMBERS REFLECT OEM NUMBERS (USE FOR REFERENCE ONLY)*



R333, BEAM/BUSHING KIT



F66502



Suspension Application Guide

Table of Contents by Vehicle Application Type

~~ Ridewell Auxiliary Suspension ~~	Page
Ridewell, Model RAD241, Drive Axle Air Suspension	19
Ridewell, Model RCA215 Flex-Mount Auxiliary Air Suspension	20
Ridewell, Model RCA225, Auxiliary Lift Axle Air Suspension	21
Ridewell, Model RCA235, Lifiable Air Suspension	22
Ridewell, Model RLT230 Light Trac, Lift Axle Air Suspension	23
Ridewell, Model RSS232-20K, Auxiliary Lifiable Air Suspension	24
Ridewell, RSS232-8K/13K/LM/MM/HM Flex-Trac, Lift Axle Air Suspension	25
Ridewell, RUL-245, Auxiliary Lifiable Air Ride Suspension	26

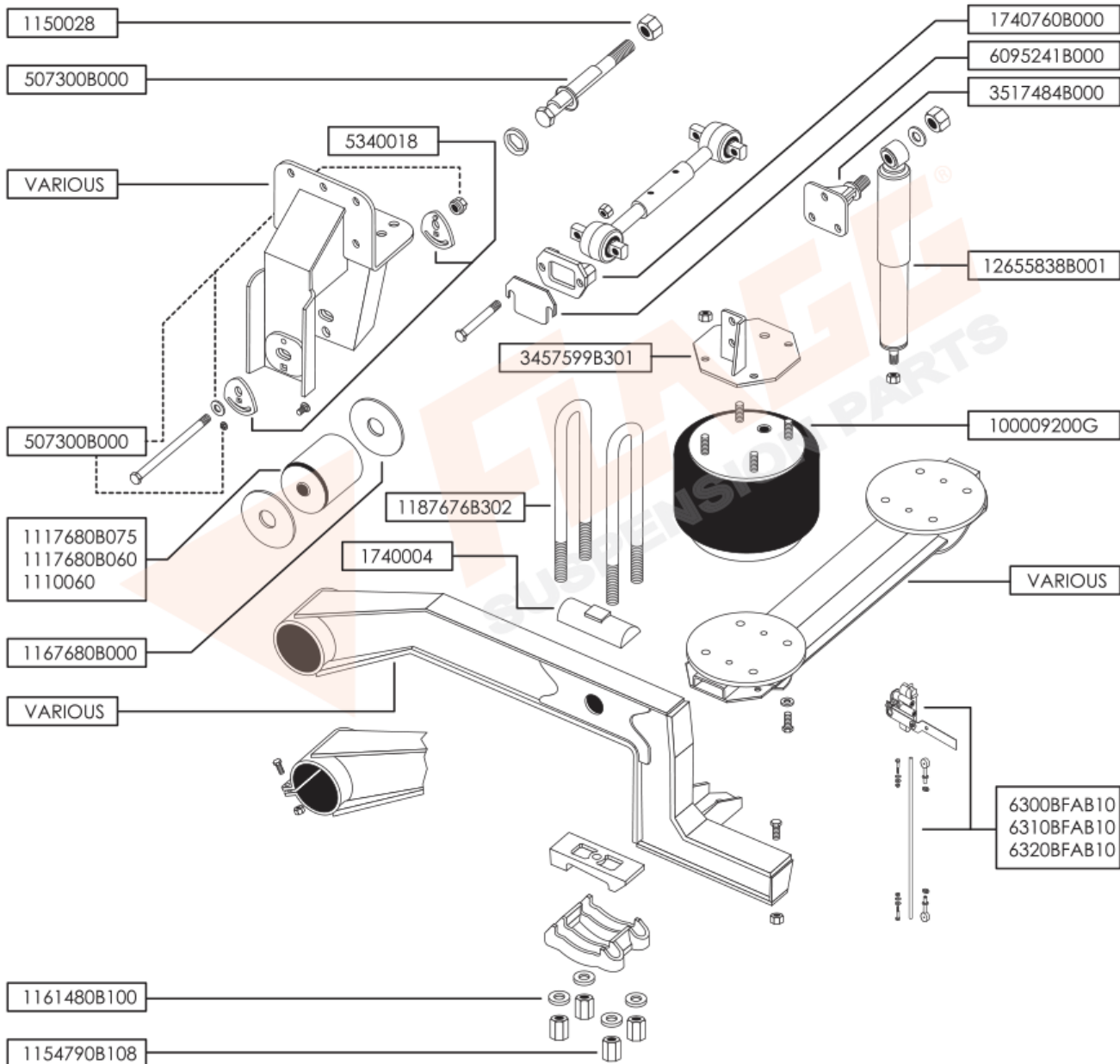
Ridewell, Model RAD241, Drive Axle Air Suspension



RIDEWELL RAD241 DRIVE AXLE AIR SUSPENSION

***BOLD RED NUMBERS REFLECT TRIANGLE PART NUMBERS**

**ITALICIZED BLACK NUMBERS REFLECT OEM NUMBERS (USE FOR REFERENCE ONLY)*



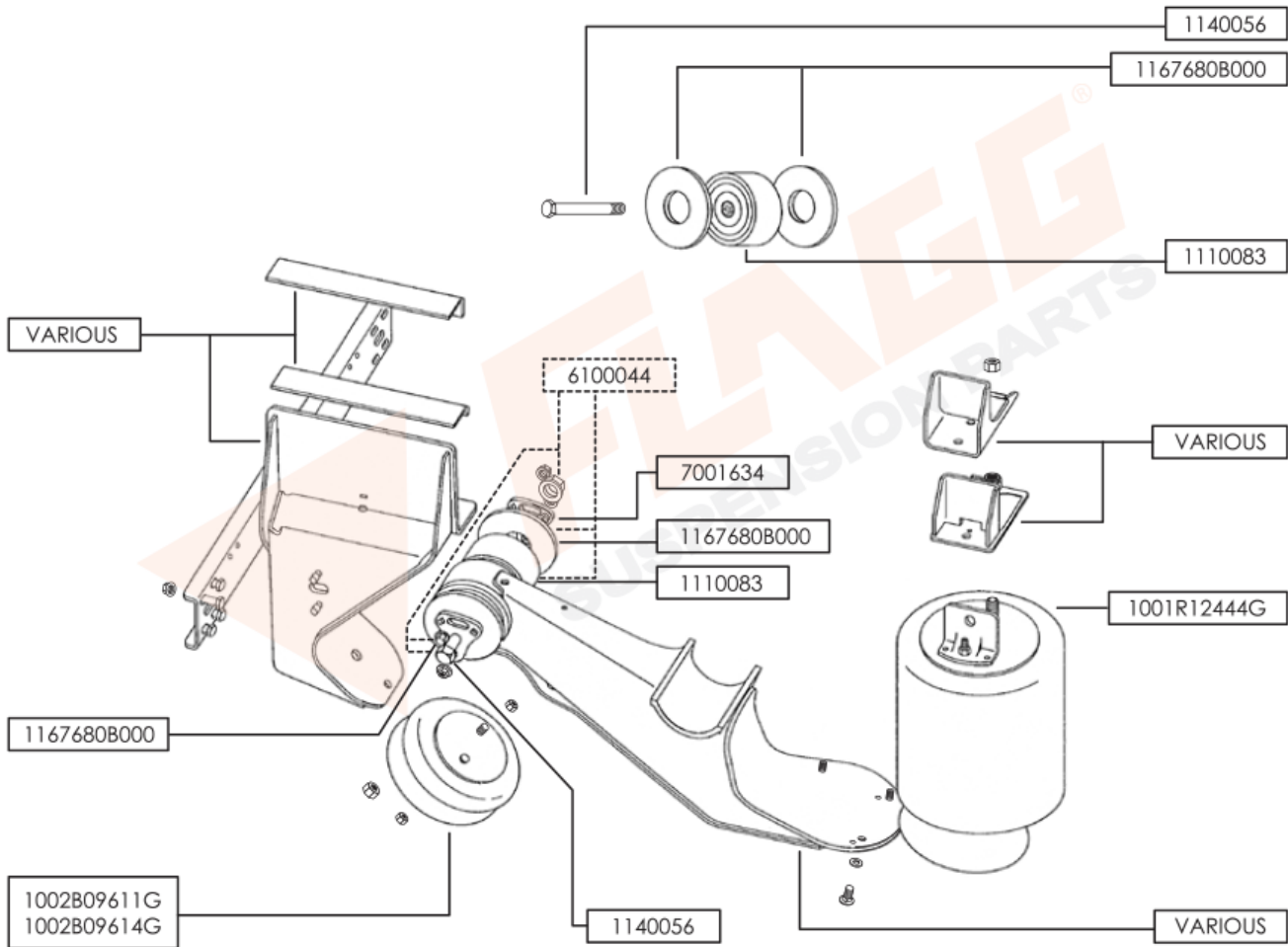
Ridewell, Model RCA215 Flex-Mount Auxiliary Air Suspension



RIDEWELL RCA215 FLEX-MOUNT AUXILIARY AIR SUSPENSION

***BOLD RED NUMBERS REFLECT TRIANGLE PART NUMBERS**

**ITALICIZED BLACK NUMBERS REFLECT OEM NUMBERS (USE FOR REFERENCE ONLY)*



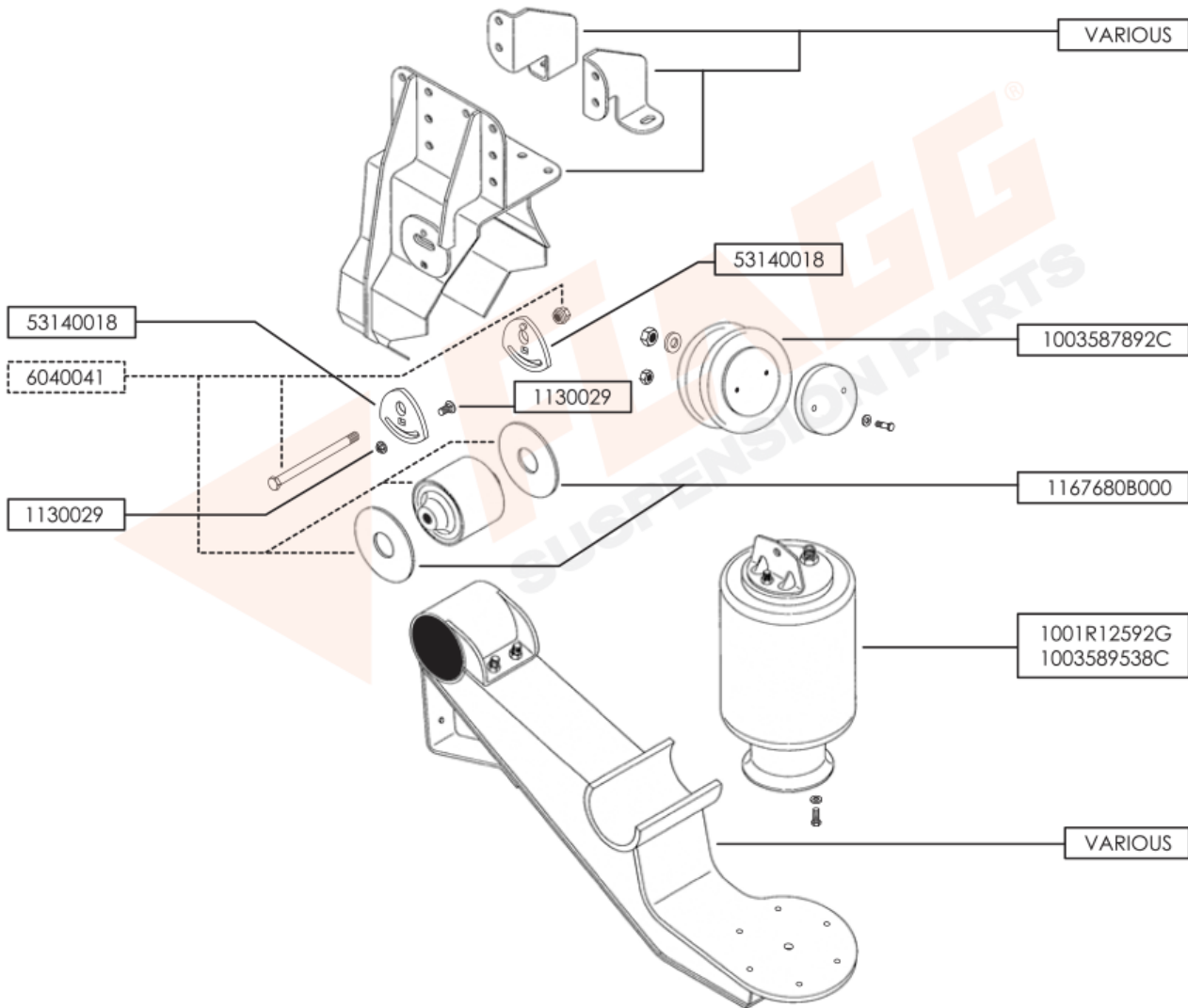
Ridewell, Model RCA225, Auxiliary Lift Axle Air Suspension



RIDEWELL RCA225 AUXILIARY LIFT AXLE AIR SUSPENSION

***BOLD RED NUMBERS REFLECT TRIANGLE PART NUMBERS**

**ITALICIZED BLACK NUMBERS REFLECT OEM NUMBERS (USE FOR REFERENCE ONLY)*



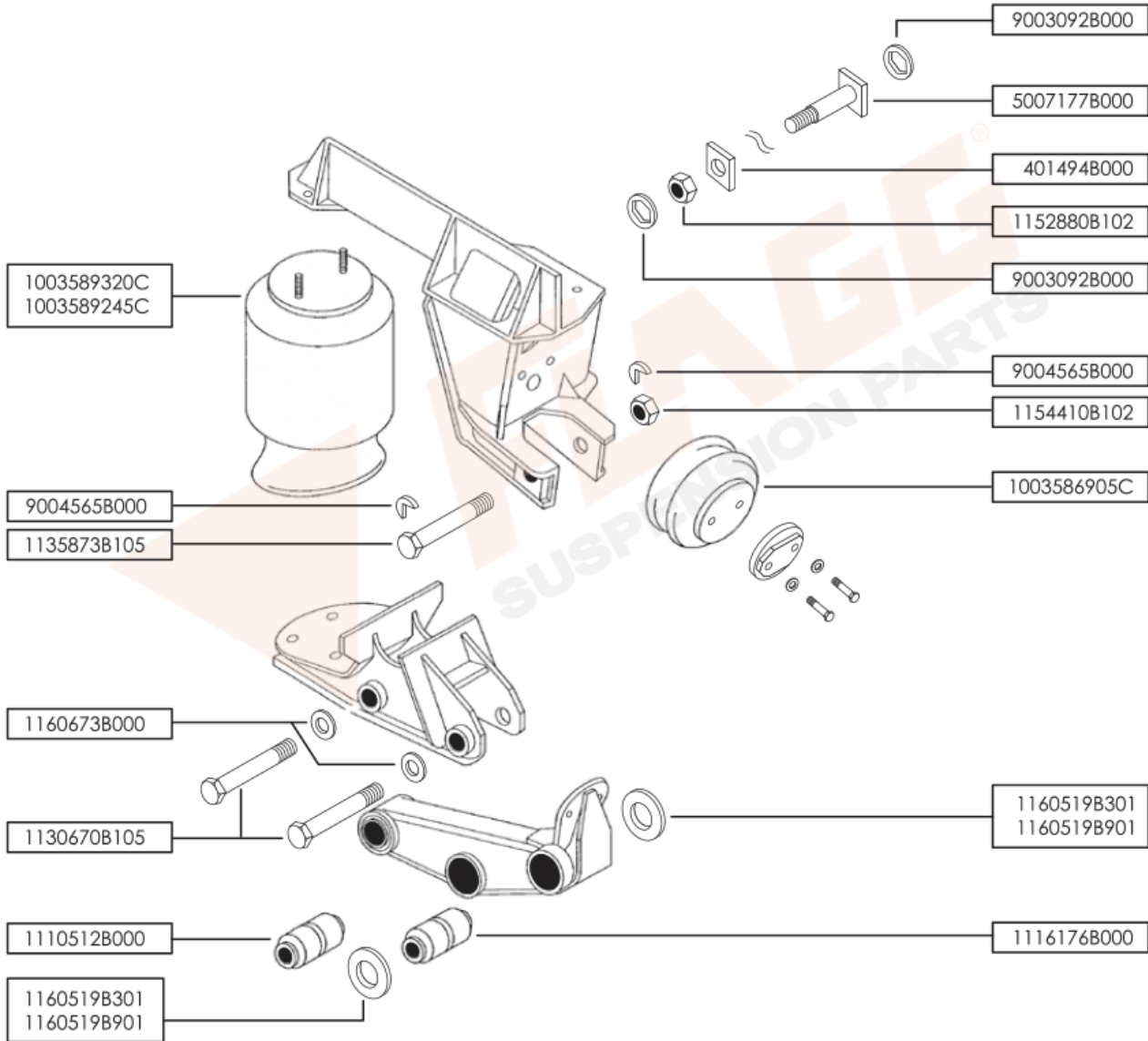
Ridewell, Model RCA235, Lifiable Air Suspension



RIDEWELL RCA235 LIFTABLE AIR AUXILIARY SUSPENSION

***BOLD RED NUMBERS REFLECT TRIANGLE PART NUMBERS**

**ITALICIZED BLACK NUMBERS REFLECT OEM NUMBERS (USE FOR REFERENCE ONLY)*



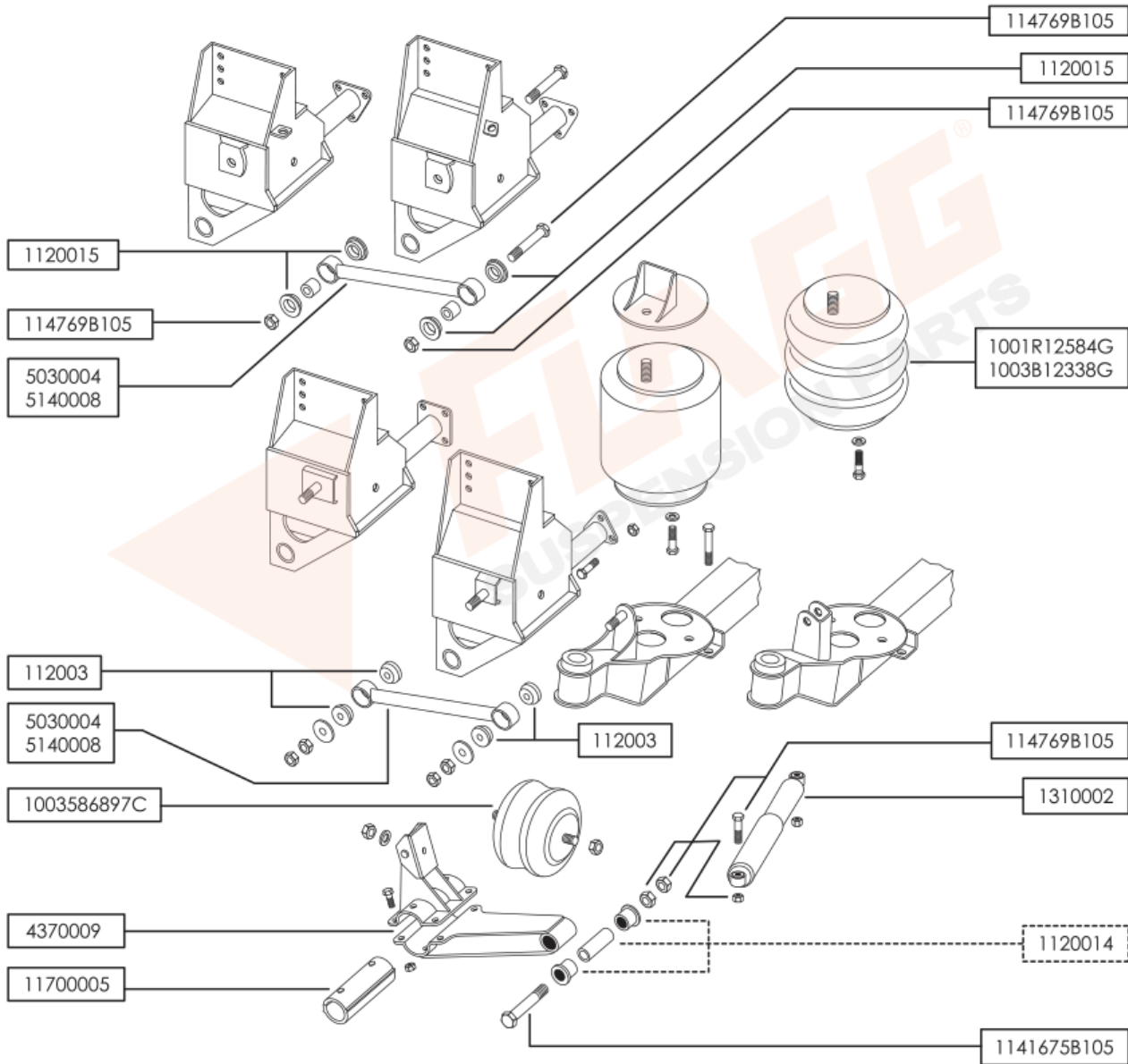
Ridewell, Model RLT230 Light Trac, Lift Axle Air Suspension



RIDEWELL RLT230 LIGHT TRAC LIFT AXLE AIR SUSPENSION

***BOLD RED NUMBERS REFLECT TRIANGLE PART NUMBERS**

**ITALICIZED BLACK NUMBERS REFLECT OEM NUMBERS (USE FOR REFERENCE ONLY)*



© 2019 Triangle Suspension Systems Inc.

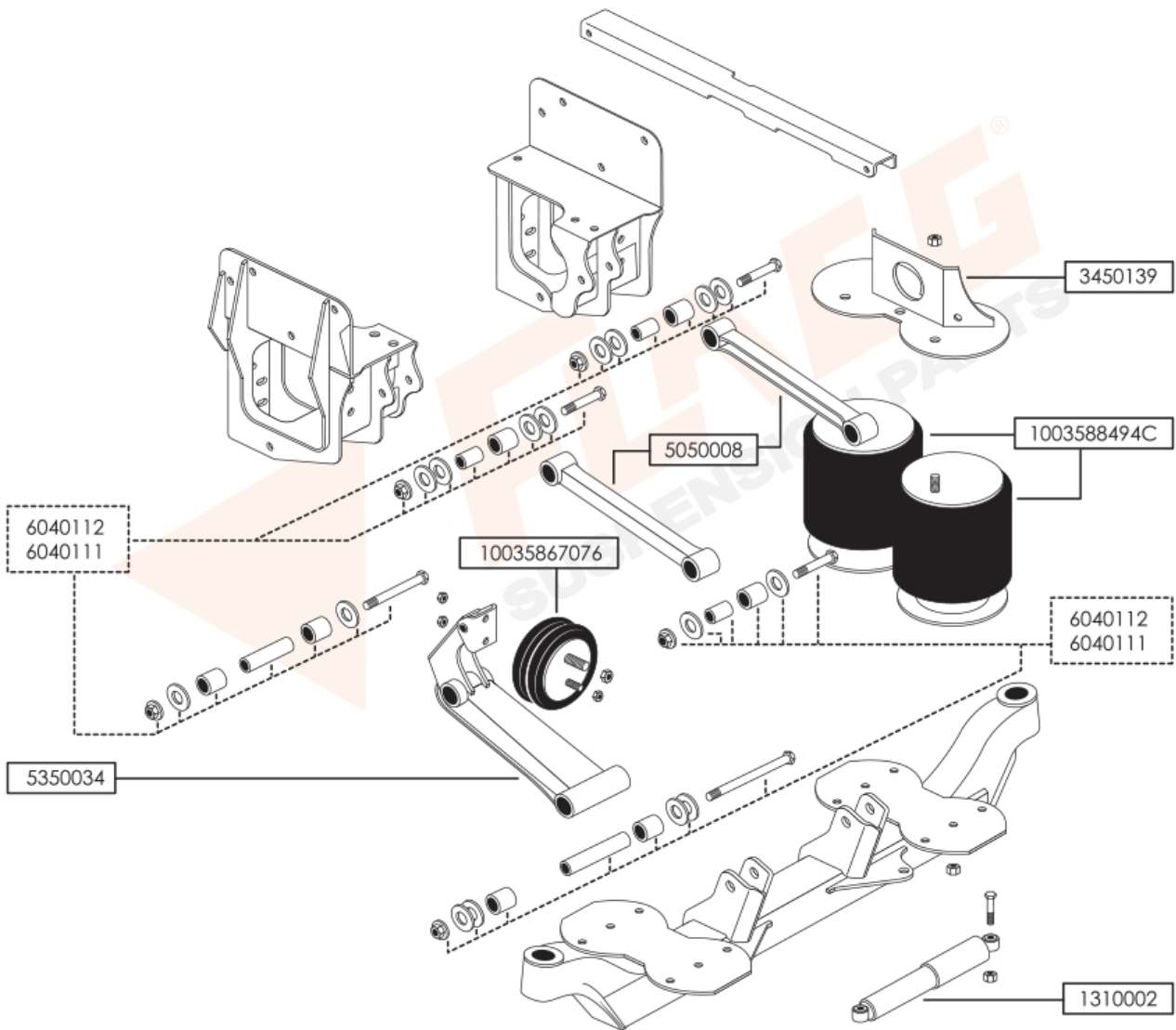
Ridewell, Model RSS232-20K, Auxiliary Lifiable Air Suspension



RIDEWELL RSS232-20K AUXILIARY LIFTABLE AIR SUSPENSION

***BOLD RED NUMBERS REFLECT TRIANGLE PART NUMBERS**

**ITALICIZED BLACK NUMBERS REFLECT OEM NUMBERS (USE FOR REFERENCE ONLY)*



© 2019 Triangle Suspension Systems Inc.

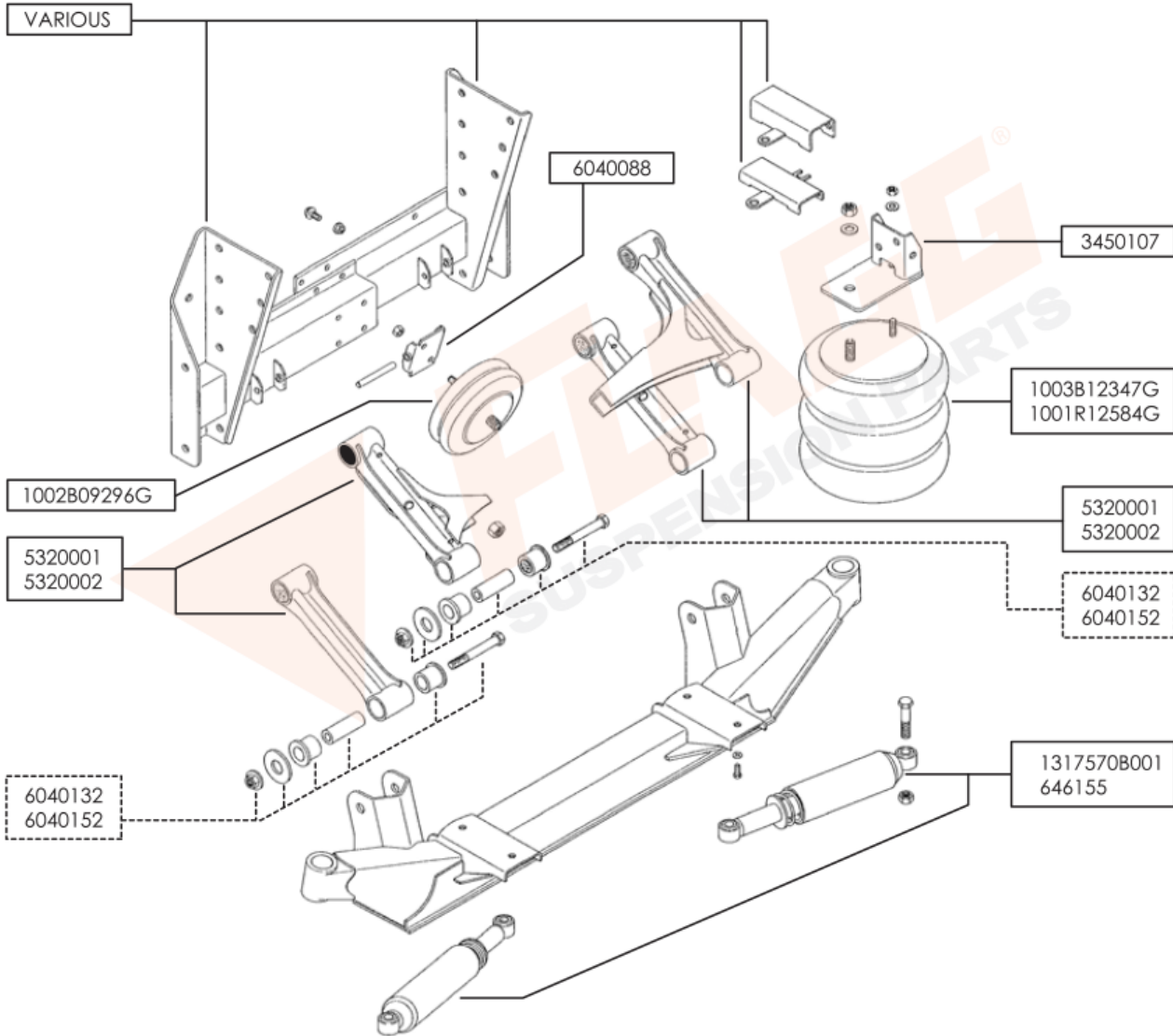
Ridewell, RSS232-8K/13K/LM/MM/HM Flex-Trac, Lift Axle Air Suspension



RIDEWELL RSS232-8K/13K/LM/MM/HM FLEX-TRAC LIFT AXLE AIR SUSPENSION

***BOLD RED NUMBERS REFLECT TRIANGLE PART NUMBERS**

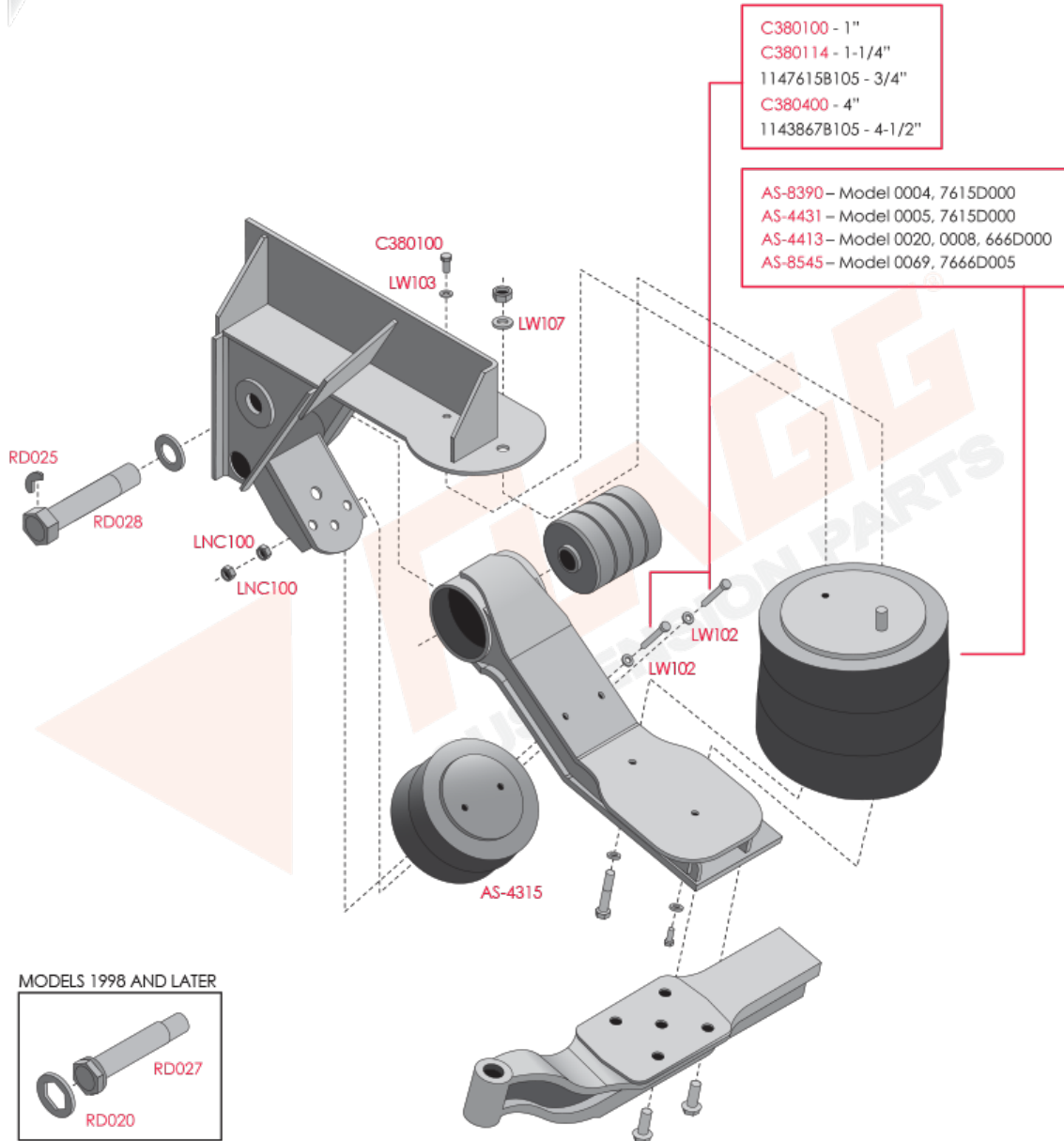
**ITALICIZED BLACK NUMBERS REFLECT OEM NUMBERS (USE FOR REFERENCE ONLY)*



Ridewell, RUL-245, Auxiliary Liftable Air Ride Suspension



RIDEWELL RUL-245, AUXILIARY LIFTABLE AIR RIDE TRAILER SUSPENSION

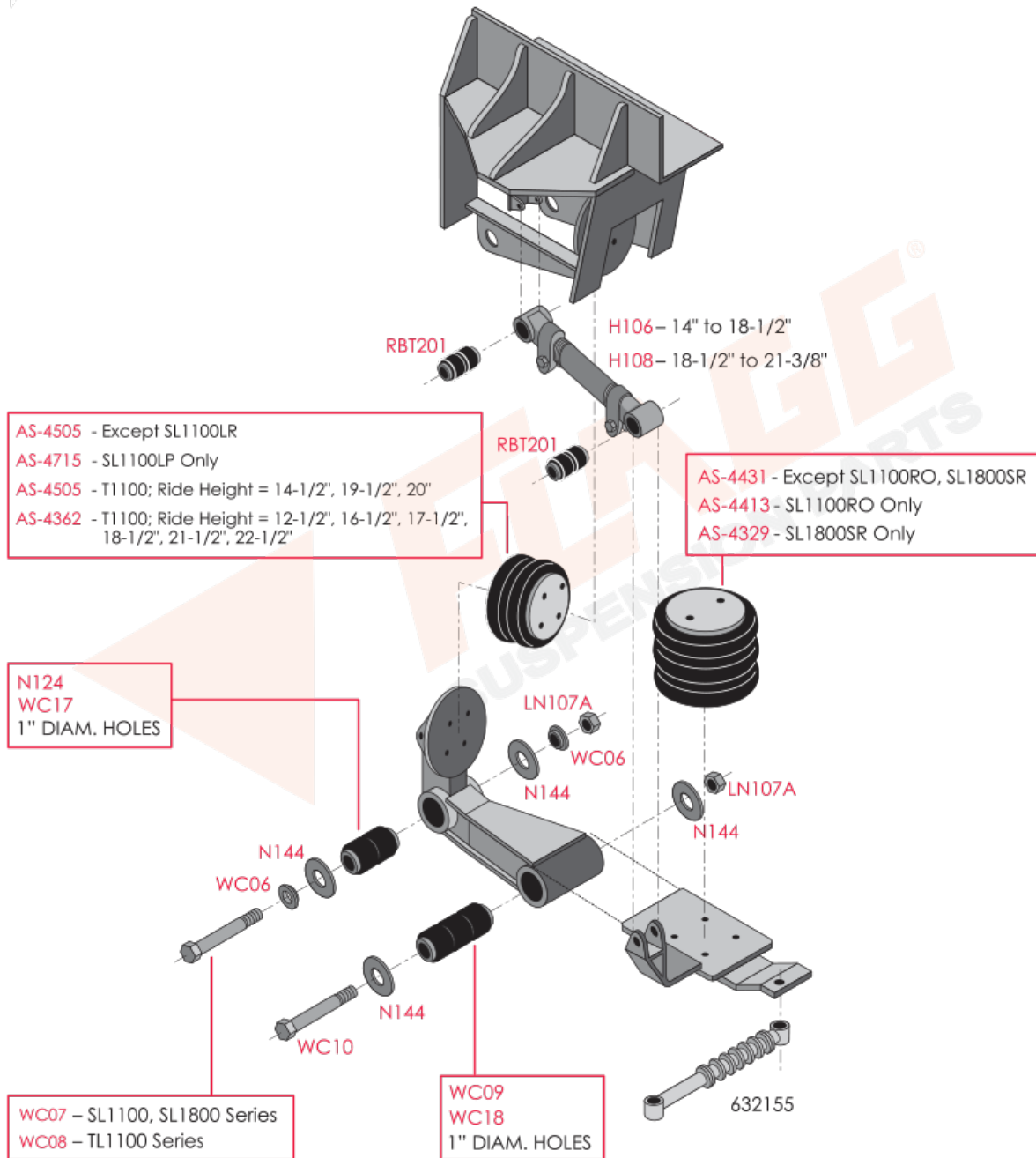


© 2019 Triangle Suspension Systems Inc.

Watson & Chalin, Models SL-1100, SL-1800, Self Steer Lift Axle Suspension



WATSON & CHALIN SL-1100, SL-1800 - SELF-STEER LIFT AXLE



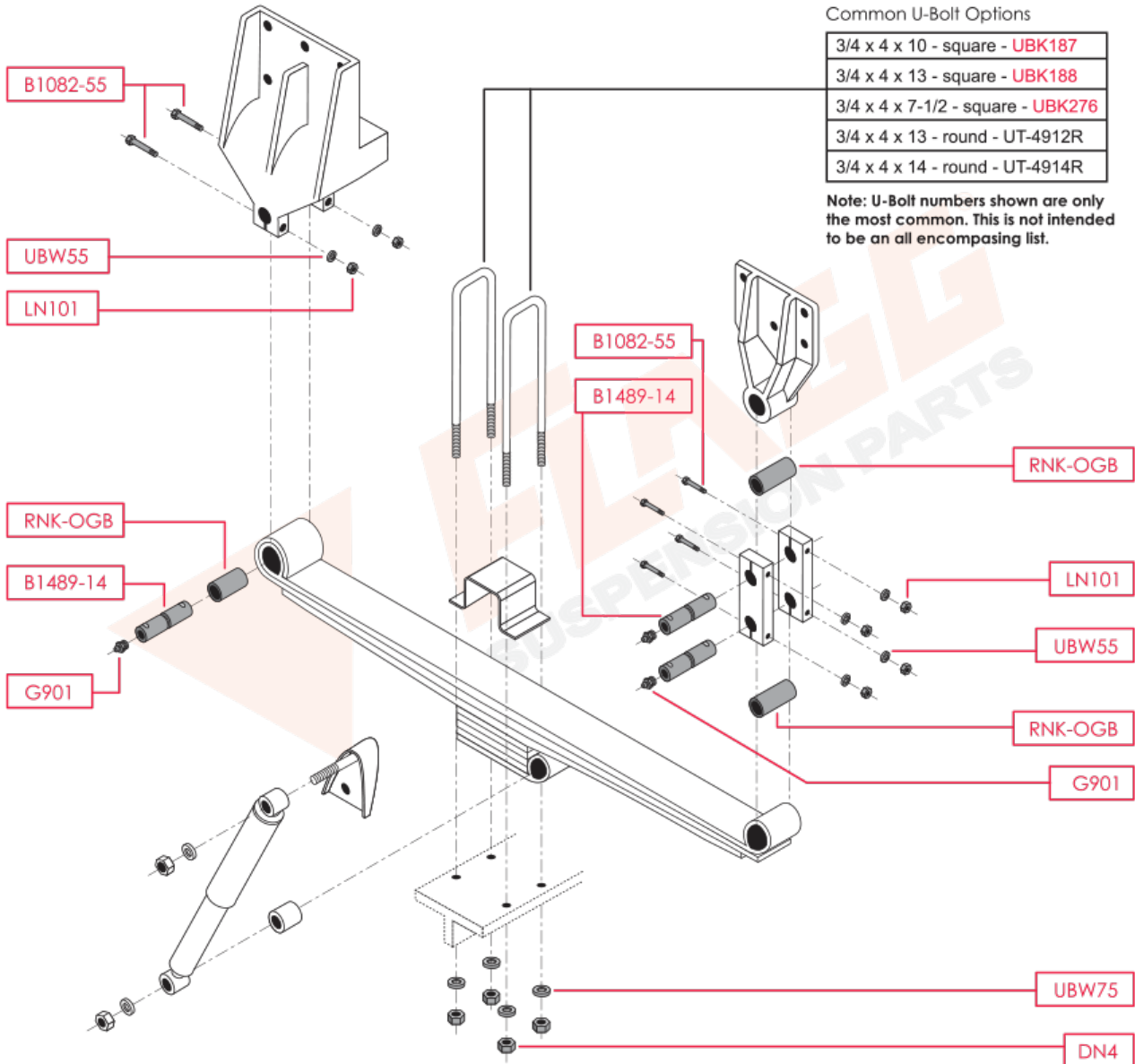
Bluebird - Models with 4" Parabolic Taper Spring, Forward and Rear Engine, Front, Bus/Coach



BLUEBIRD MODELS WITH 4" PARABOLIC TAPER SPRING - FRONT FORWARD AND REAR ENGINE, BUS TRUCK/TRACTOR SUSPENSION

***BOLD RED NUMBERS REFLECT TRIANGLE PART NUMBERS**

**ITALICIZED BLACK NUMBERS REFLECT OEM NUMBERS (USE FOR REFERENCE ONLY)*



Common Replacement Springs

Description	Part #
4" parabolic taper spring	14-124
3/3 pads/SE	14-136

Note: Spring part numbers shown are only the most common. This is not intended to be an all encompassing list. Careful verification of all dimensions, capacity and specific application installation factors will determine the final selection for the replacement spring.

© 2019 Triangle Suspension Systems Inc.

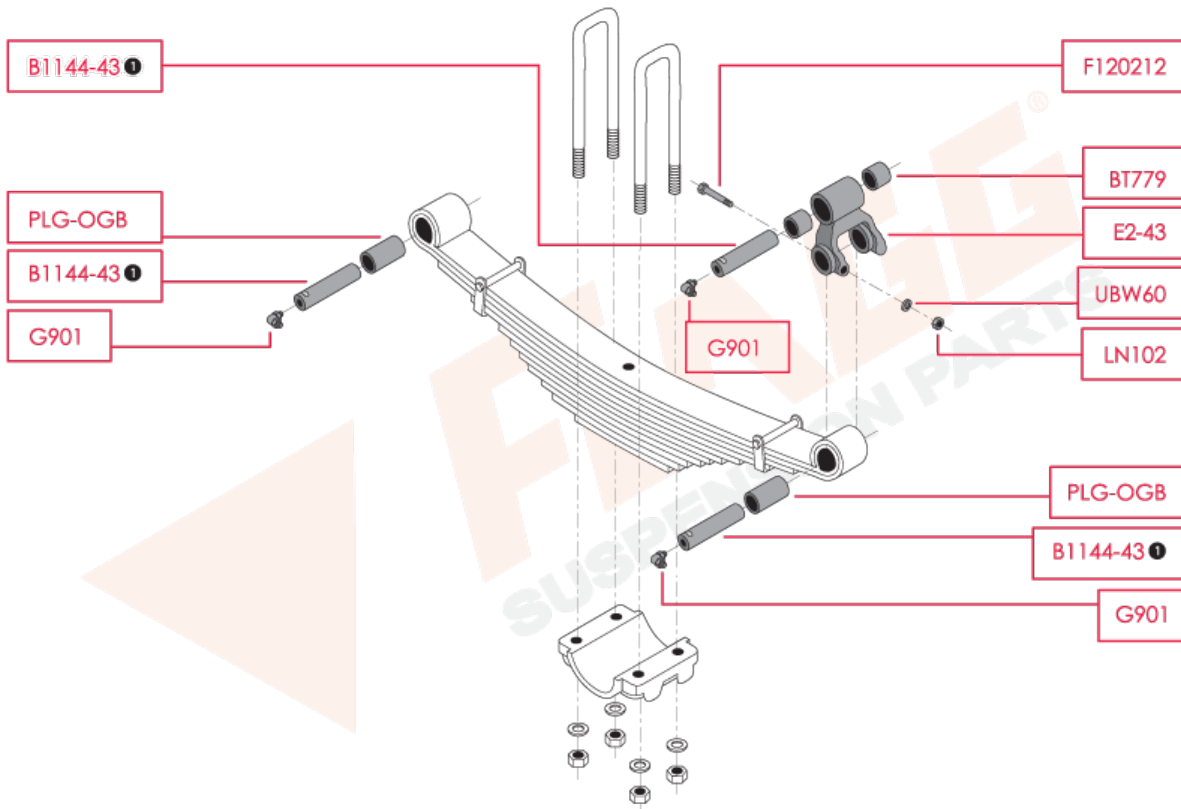
Bluebird, 3" wide Multi-Leaf Spring, Front, Bus/Coach



BLUEBIRD MODELS WITH 3" MULTI-LEAF SPRING - FRONT TRUCK/TRACTOR SUSPENSION

***BOLD RED NUMBERS REFLECT TRIANGLE PART NUMBERS**

**ITALICIZED BLACK NUMBERS REFLECT OEM NUMBERS (USE FOR REFERENCE ONLY)*



❶ Use **B1041-43** with original OEM Hangers and Shackle.

Note: Spring part numbers shown are only the most common. This is not intended to be an all encompassing list. Careful verification of all dimensions, capacity and specific application installation factors will determine the final selection for the replacement spring.

Bluebird Susp. Type	Spring Part #	Description
3" multi-leaf spring	14-116	9 leaves & 1 pad
	14-108	9 leaves

© 2016 Triangle Suspension Systems Inc.

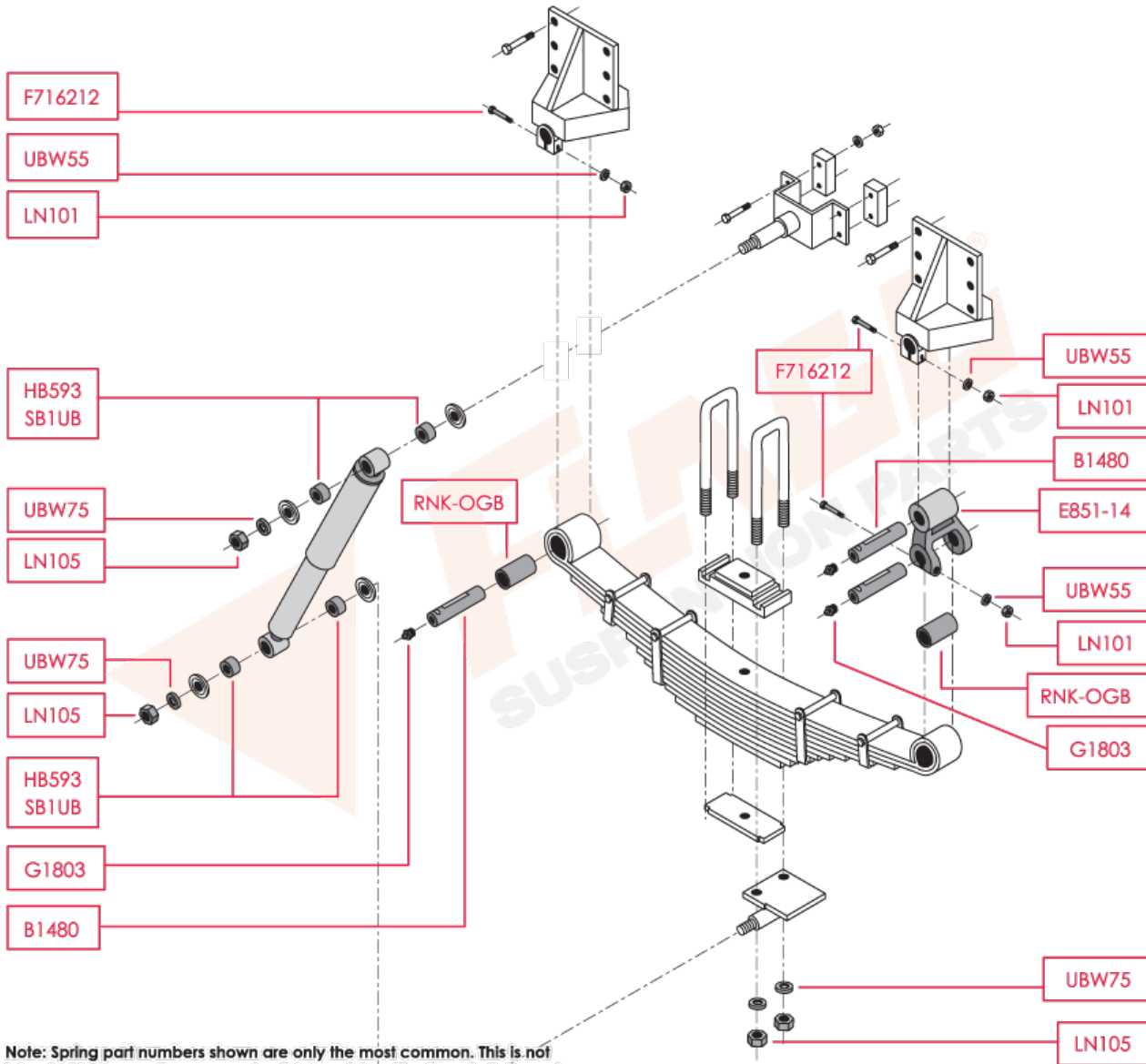
Bluebird, 4" wide Multi-Leaf Spring, Front, Bus/Coach



BLUEBIRD MODELS WITH 4" MULTI-LEAF SPRING - FRONT TRUCK/TRACTOR SUSPENSION

***BOLD RED NUMBERS REFLECT TRIANGLE PART NUMBERS**

**ITALICIZED BLACK NUMBERS REFLECT OEM NUMBERS (USE FOR REFERENCE ONLY)*



Note: Spring part numbers shown are only the most common. This is not intended to be an all encompassing list. Careful verification of all dimensions, capacity and specific application installation factors will determine the final selection for the replacement spring.

Bluebird Susp. Type	Spring Part #	Description
4" multi-leaf spring	14-130	9 leaves & 1 pad
	14-104	6 leaves plus 5 leaves 2nd stage

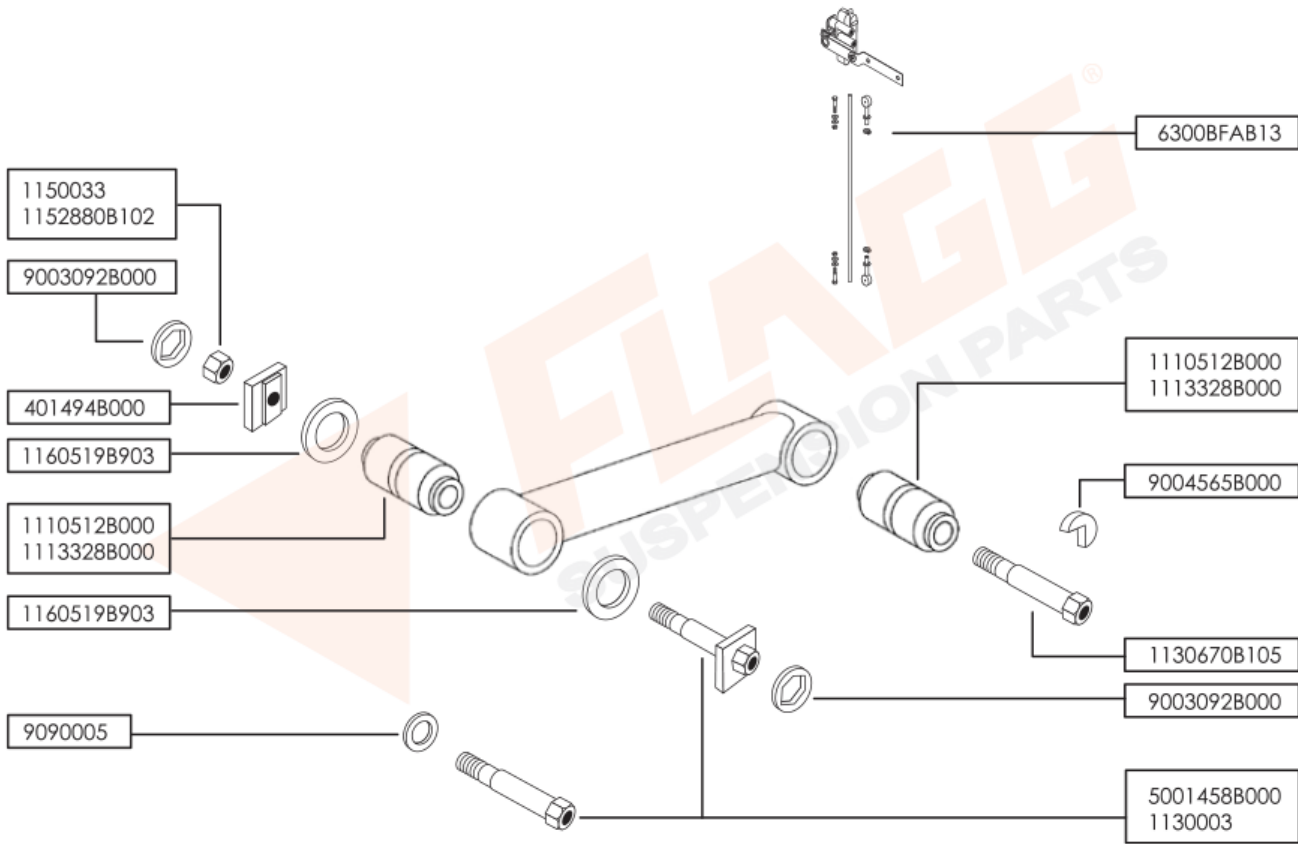
Ridewell, RAS227/RAD227, Bus Air Ride Steer and Drive Axles, Bus/Coach



RIDEWELL RAS227/RAD227 BUS AIR RIDE STEER AND DRIVE AXLES SUSPENSION

***BOLD RED NUMBERS REFLECT TRIANGLE PART NUMBERS**

**ITALICIZED BLACK NUMBERS REFLECT OEM NUMBERS (USE FOR REFERENCE ONLY)*



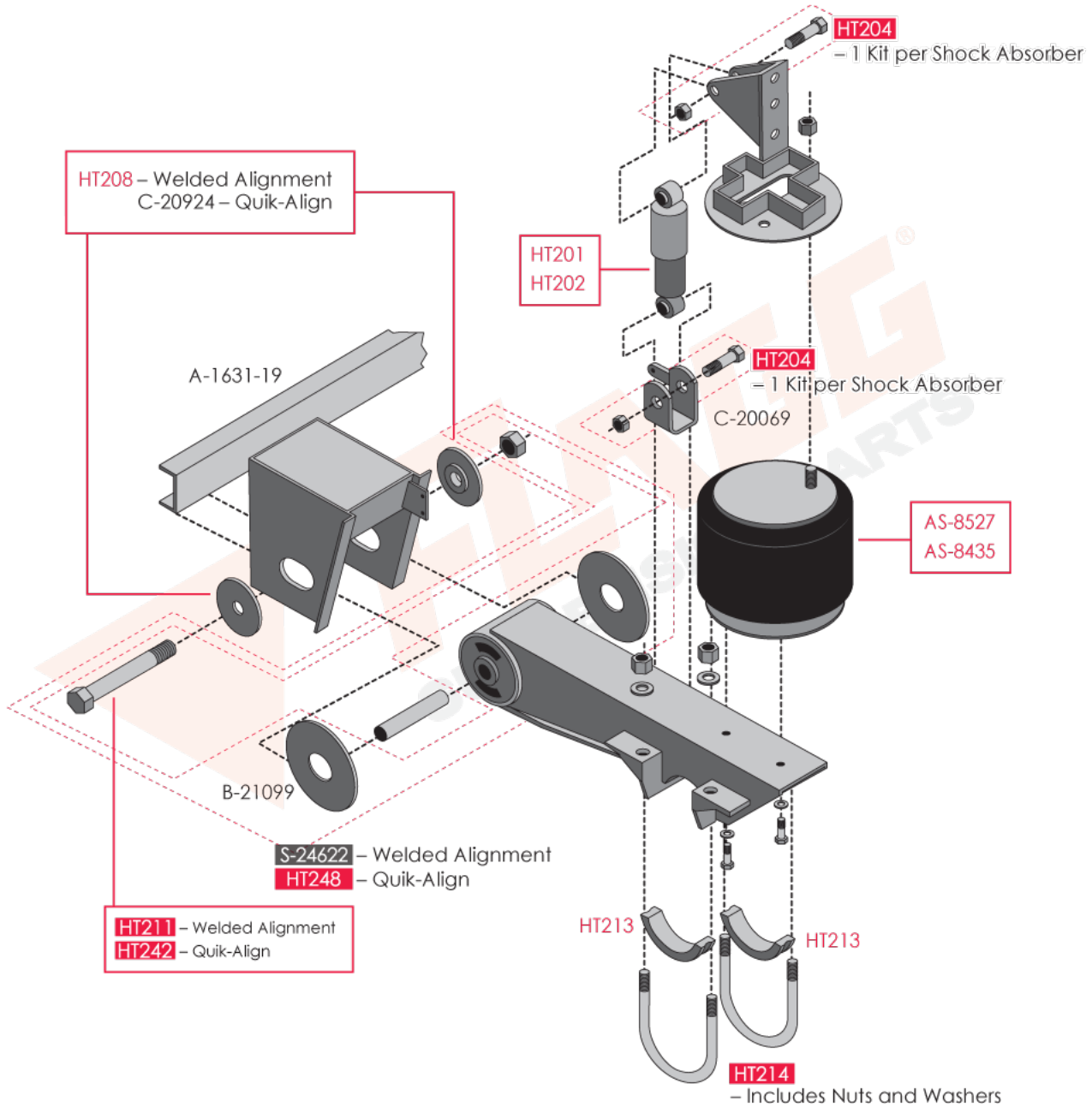
Suspension Application Guide

Table of Contents by Vehicle Application Type

~~ Dolly Suspension ~~	Page
Hendrickson, HT Dolly, Lift Axle Suspension	33
Silver Eagle, Dolly Axle, Rear, Suspension	34
Silver Eagle, Turnable Front Dolly Suspension	35

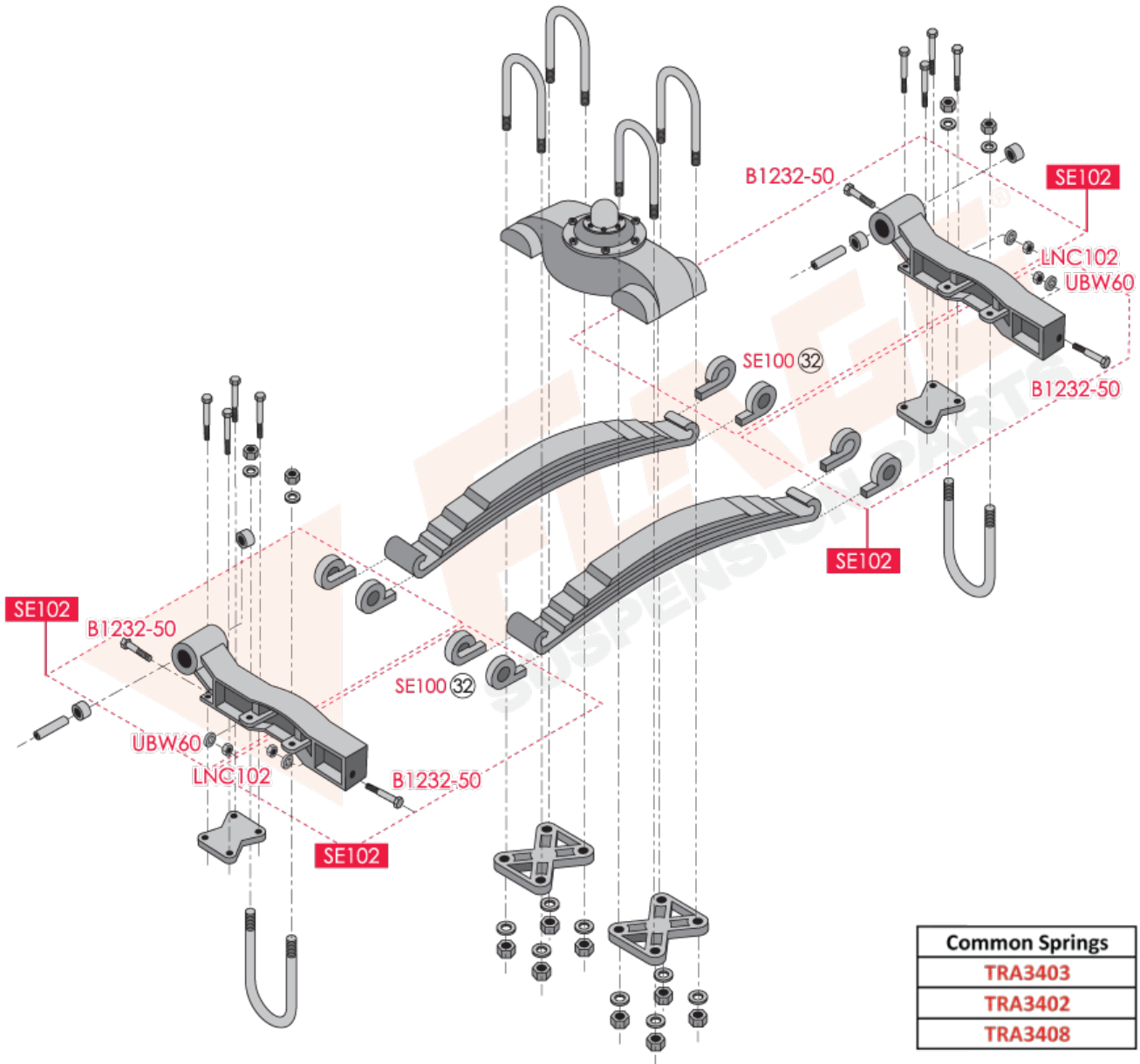
Hendrickson, HT Dolly, Lift Axle

HENDRICKSON HT DOLLY LIFT AXLE SUSPENSION



Silver Eagle, Dolly Axle (Rear) Suspension

SILVER EAGLE TURNABLE FRONT DOLLY SUSPENSION



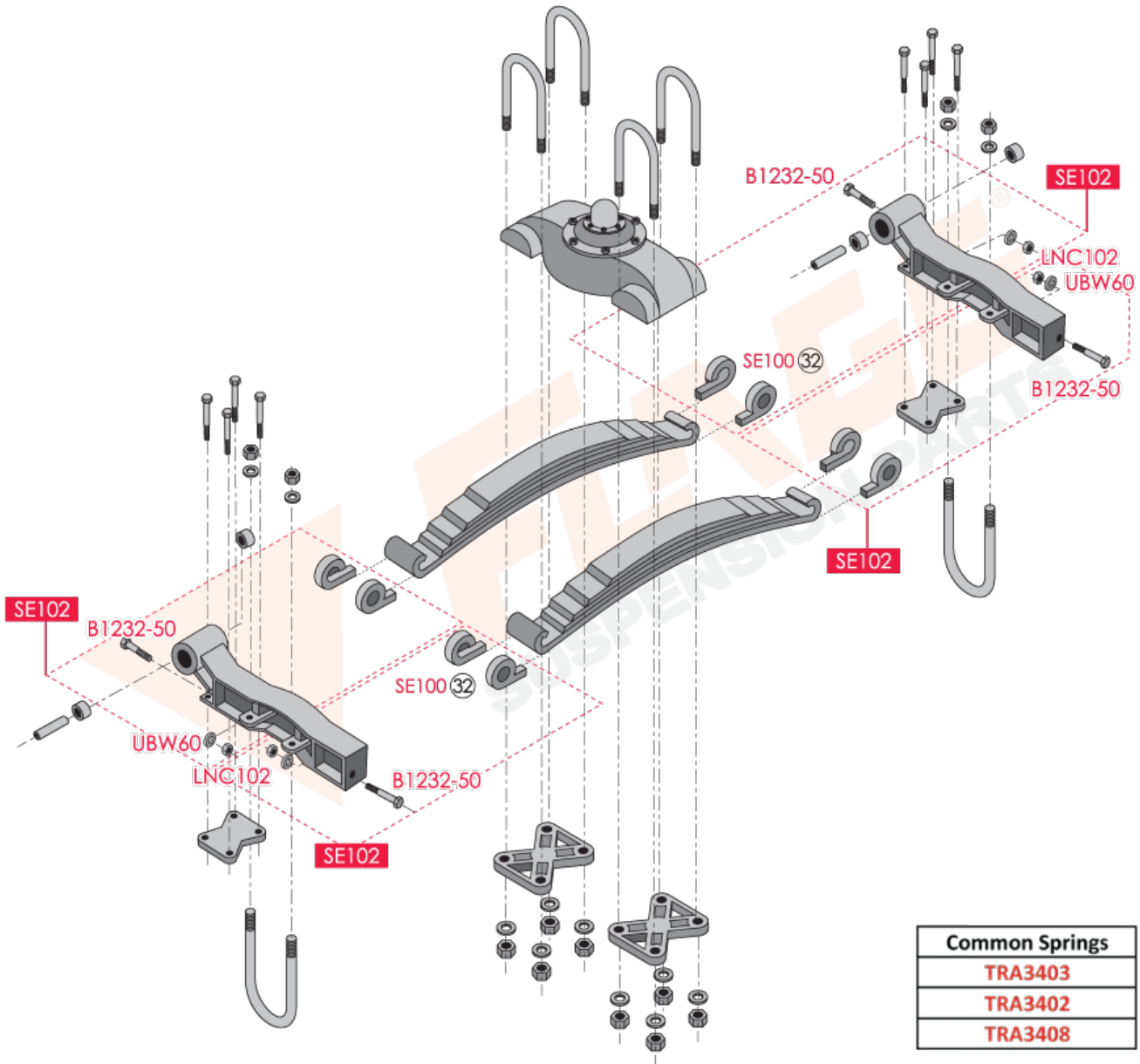
Common Springs
TRA3403
TRA3402
TRA3408

③ Optional Urethane Boots, **SE100UB**, **SE101UB**, may be purchased separately.

© 2014 Triangle Suspension Systems Inc.

Silver Eagle, Turnable Front Dolly Suspension

SILVER EAGLE TURNABLE FRONT DOLLY SUSPENSION

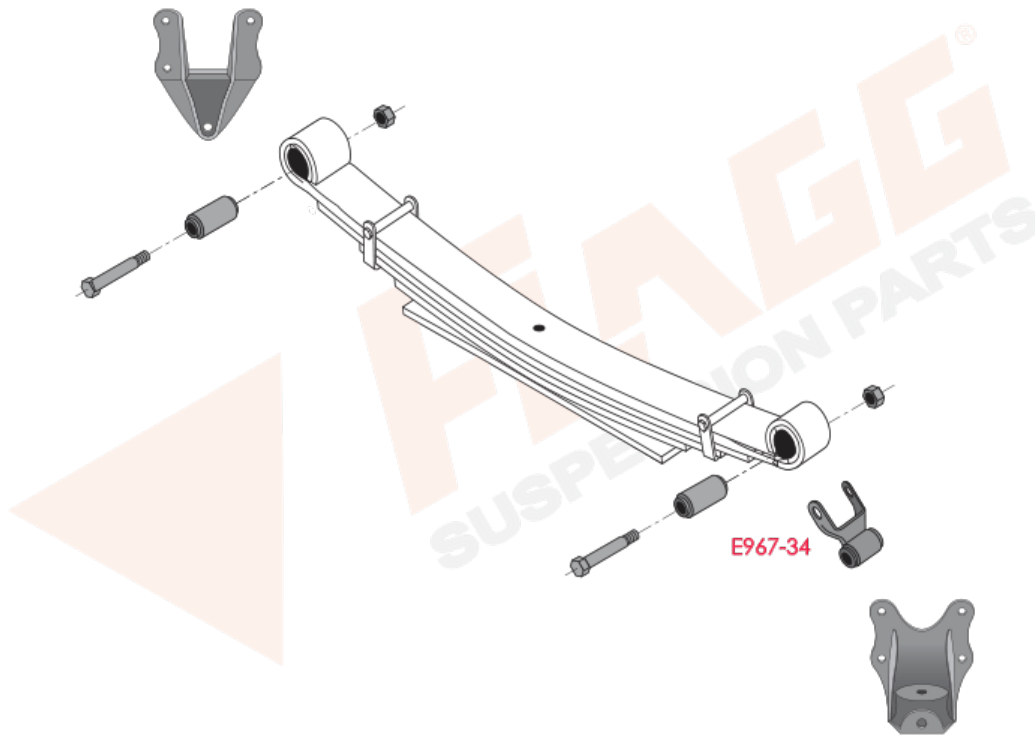


③ Optional Urethane Boots, SE100UB, SE101UB, may be purchased separately.

© 2014 Triangle Suspension Systems Inc.

Dodge, B Model Vans, 1998 - 2003, Rear, Light Duty Suspension

DODGE
B MODEL VANS
1998 - 2003
REAR



Spr. #	Descr.	B. Year	E. Year	Bush. S.E.	Bush. L.E.	Bolt S.E.	Bolt L.E.	Nut S.E.	Nut L.E.	Shackle	Frame Hanger Front	Frame Hanger Rear
34-1377	2.5" - 4/1	1998	2003	RB143	RB257	B1247-22	B1322-43	LN104	LNC103	E967-34	N/A	N/A
34-1417	2.5" - 5/1	1998	2003	RB60	RB257	B1247-22	B1322-43	LN104	LNC103	E967-34	N/A	N/A

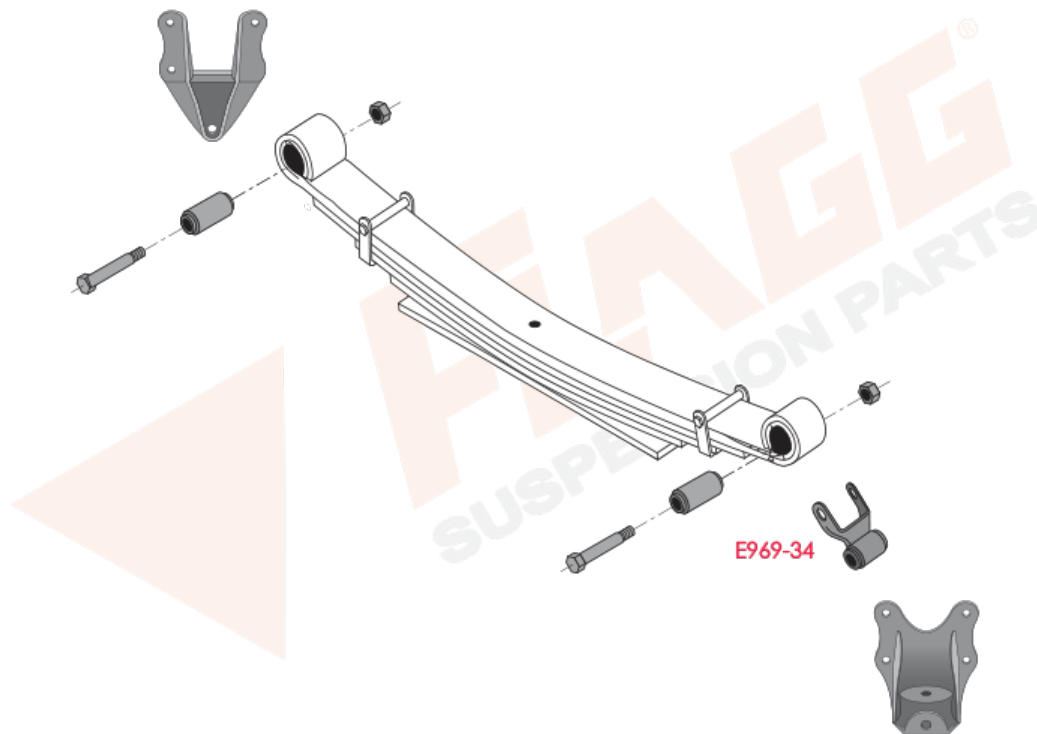
Dodge, D150/W150, D250/W250, D300/W300, 2WD & 4WD, 1974 - 1993, Rear, Light Duty Suspension

DODGE

D150/W150, D250/W250, D300/W300, 2WD & 4WD

1974 - 1993

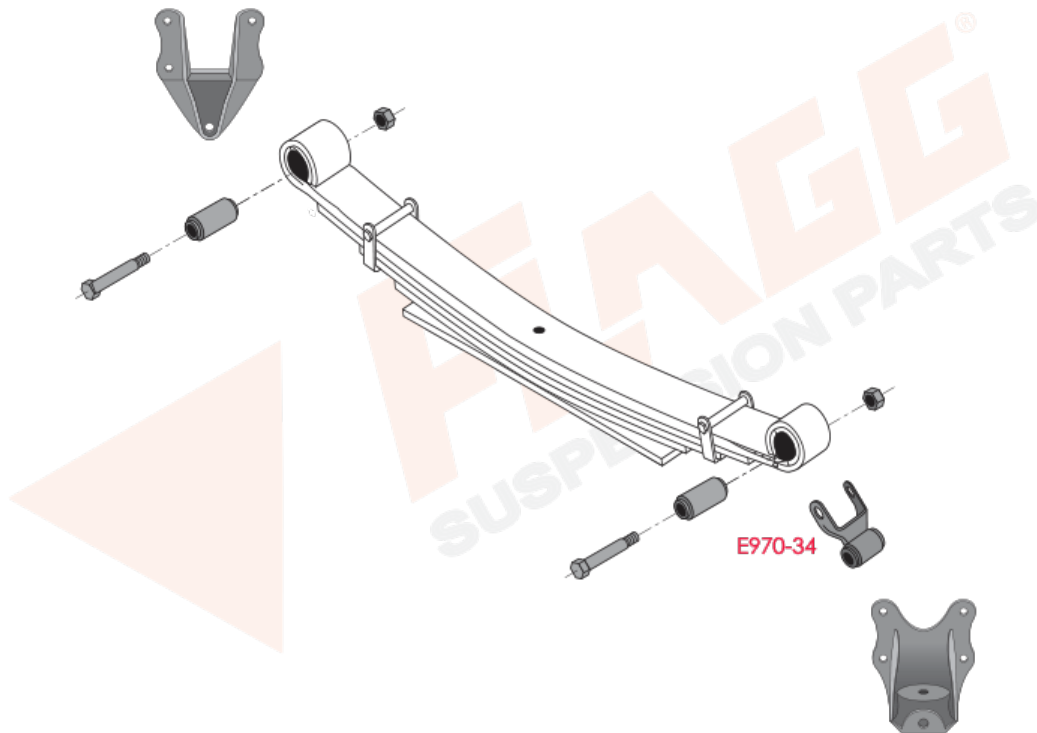
REAR



Spr. #	Descr.	B. Year	E. Year	Bush. S.E.	Bush. L.E.	Bolt S.E.	Bolt L.E.	Nut S.E.	Nut L.E.	Shackle	Frame Hanger Front	Frame Hanger Rear
34-085	2.5" - 4/1	1974	1993	R881	R881 rev.	B1247-22	B1247-22	LN104	LN104	E969-34	N/A	N/A
34-173	2.5" - 5/1	1974	1993	R881	R881 rev.	B1247-22	B1247-22	LN104	LN104	E969-34	N/A	N/A
34-153	2.5" - 6/1	1972	1993	R858	R858 rev.	B1327-43	B1327-43	LNC105	LNC105	E969-34	N/A	N/A

Dodge, Dakota, 1999 - 2005, Rear, Light Duty Suspension

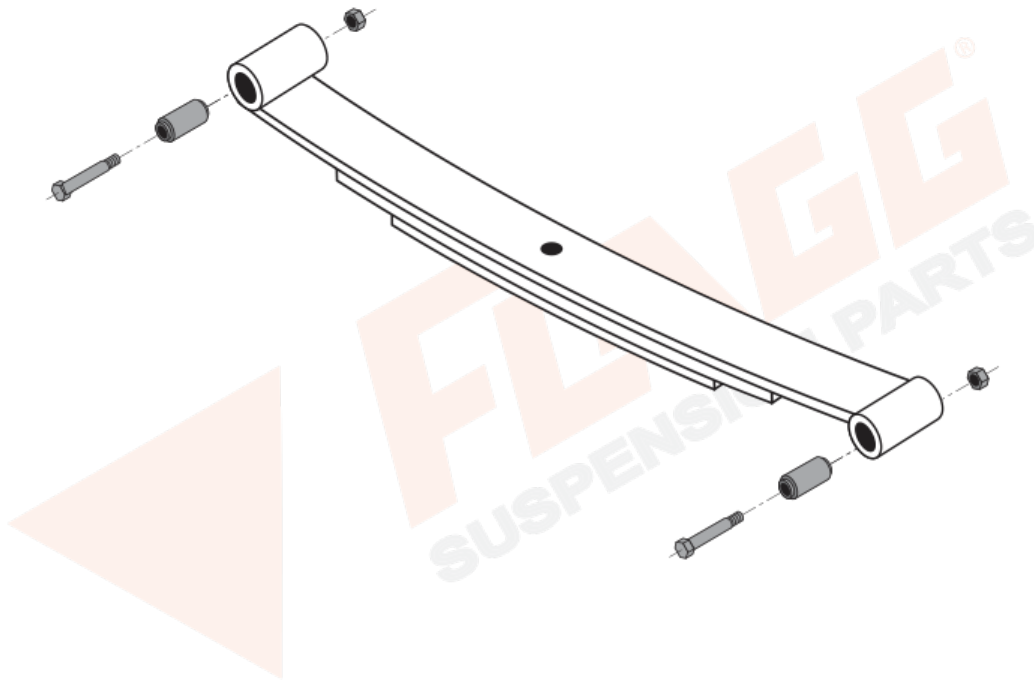
DODGE
 DAKOTA
 1999 - 2005
 REAR



Spr. #	Descr.	B. Year	E. Year	Bush. S.E.	Bush. L.E.	Bolt S.E.	Bolt L.E.	Nut S.E.	Nut L.E.	Shackle	Frame Hanger Front	Frame Hanger Rear
34-1433	2.5" - 3/1	1999	2004	RB257	RB257 rev.	B1322-43	B1322-43	LNC103	LNC103	E967-34	N/A	N/A
34-1431	2.5" - 3/1	1999	2004	RB257	RB257 rev.	B1322-43	B1322-43	LNC103	LNC103	E967-34	N/A	N/A
34-1421	2.5" - 5	1999	2004	RB257	RB257 rev.	B1322-43	B1322-43	LNC103	LNC103	E967-34	N/A	N/A
34-1477	2.5" - 3/1	1999	2004	RB257	RB257 rev.	B1322-43	B1322-43	LNC103	LNC103	E967-34	N/A	N/A
34-1503	2.5" - 3/1	2005	2011	RB272	RB240 rev.	B1322-43	B1322-43	LNC103	LNC103	E967-34	N/A	N/A
34-1501	2.5" - 4/1	2005	2011	RB272	RB240 rev.	B1322-43	B1322-43	LNC103	LNC103	E967-34	N/A	N/A

Dodge, Models W150, W250, W300, Front, Light Duty Suspension

DODGE
W150/W250/W300, FRONT
1972 - 1993

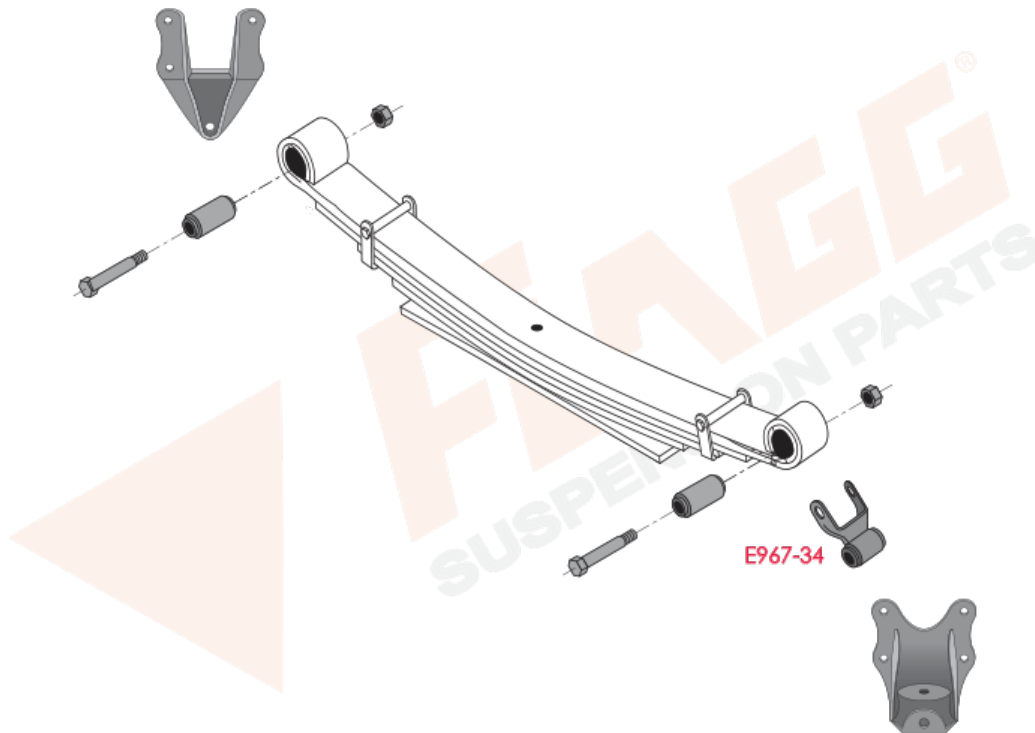


Spr. #	Spr. Width	Bolt S.E.	Bolt L.E.	Nut S.E.	Nut L.E.	Shackle
34-766	2.5"	B1132-34	B1132-34	LN102	LN102	N/A
34-768	2.5"	B1132-34	B1132-34	LN102	LN102	N/A
34-774	2.5"	B1132-34	B1132-34	LN102	LN102	N/A

© 2019 Triangle Suspension Systems Inc.

Dodge, RAM 1500 & 2500, 1994 - 2009, Rear, Light Duty Suspension

DODGE
RAM 1500 & 2500
1994 - 2009
REAR



Description	Part #
3" wide, 2 lvs. 19.75x 21.88 (helper)	34-1369

Spr. #	Descr.	B. Year	E. Year	Bush. S.E.	Bush. L.E.	Bolt S.E.	Bolt L.E.	Nut S.E.	Nut L.E.	Shackle	Frame Hanger Front	Frame Hanger Rear
34-1339	2.5" - 4/1	1994	2002	RB224	RB224 rev.	B1322-43	B1322-43	LNC103	LNC103	E967-34	N/A	N/A
34-1335	3" - 3/1	1994	2002	RB213	RB213rev	B1342-22	B1342-22	LN104	LN104	E967-34	N/A	N/A
34-1343	3" - 3/1	1994	2002	RB213	RB213rev	B1342-22	B1342-22	LN104	LN104	E967-34	N/A	N/A
34-1417	2.5" - 5/1	1994	2002	RB60	RB257	B1247-22	B1322-43	LN104	LNC103	E967-34	N/A	N/A

© 2019 Triangle Suspension Systems Inc.

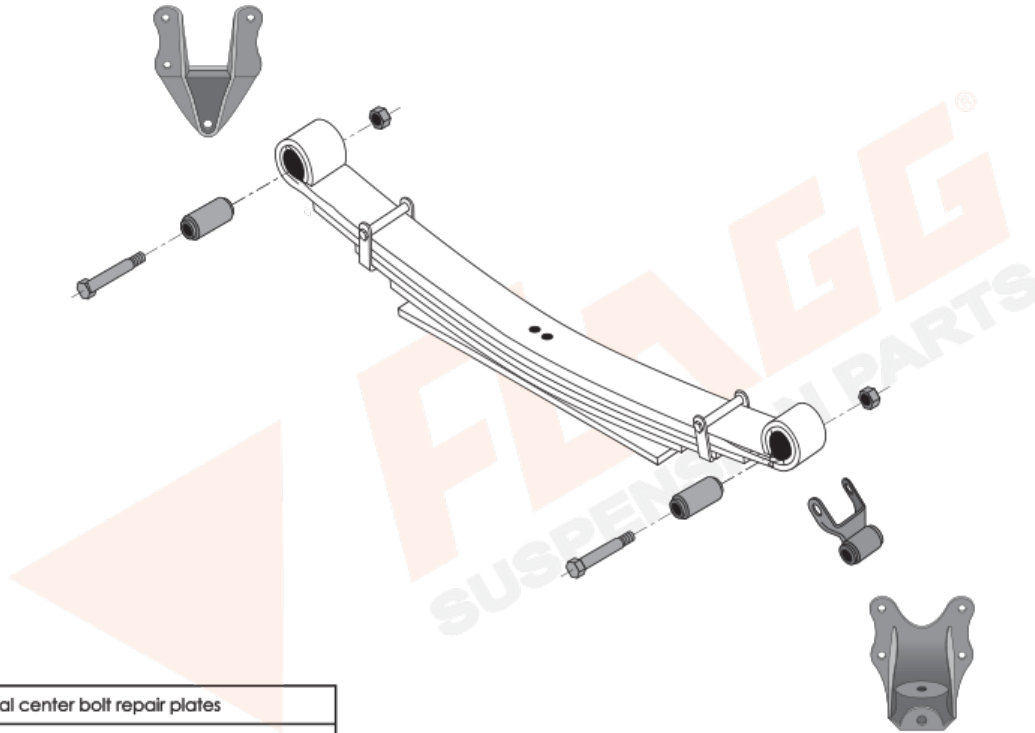
Dodge, RAM 2500 & 3500 with Dual Center Bolts, 2003 - 2013, Rear, Light Duty

DODGE

RAM 2500 & 3500 WITH DUAL CENTER BOLTS

2003 - 2013

REAR



Dodge dual center bolt repair plates	
250R401D-30	1-1/4" center to center on holes
300R401D-28.5	3-1/16" center to center on holes
300R401D-26.5	3-1/16" center to center on holes
300R401D-36	3-1/16" center to center on holes
300R447D-36	3-1/16" center to center on holes

Spr.#	Descr.	B. Year	E. Year	Bush. S.E.	Bush. L.E.	Bolt S.E.	Bolt L.E.	Nut S.E.	Nut L.E.	Shackle	Frame Hanger Front	Frame Hanger Rear
34-1455	3" - 4/1/2pd .	2003	2009	RB273	RB273	B1247-22	B1247-22	LN104	LN104	N/A	N/A	N/A
34-1459	3" - 3/1/2pd.	2003	2009	RB273	RB273	B1247-22	B1247-22	LN104	LN104	N/A	N/A	N/A
34-1465	3" - 3/1/2pd.	2003	2009	RB273	RB273	B1247-22	B1247-22	LN104	LN104	N/A	N/A	N/A
34-1465HD	3" - 4/1/2pd.	2003	2009	RB273	RB273	B1247-22	B1247-22	LN104	LN104	N/A	N/A	N/A
34-1589	3" - 4/1/3pd.	2006	2009	RB320	RB273	B1247-22	B1247-22	LN104	LN104	N/A	N/A	N/A
34-1633	3" - 3/1/3pd.	2010	2011	RB337	RB273	B1477-43	B1247-22	LNC18mm	LN104	N/A	N/A	N/A
34-1607	3" - 3/1	2006	2009									

© 2018 Triangle Suspension Systems Inc.

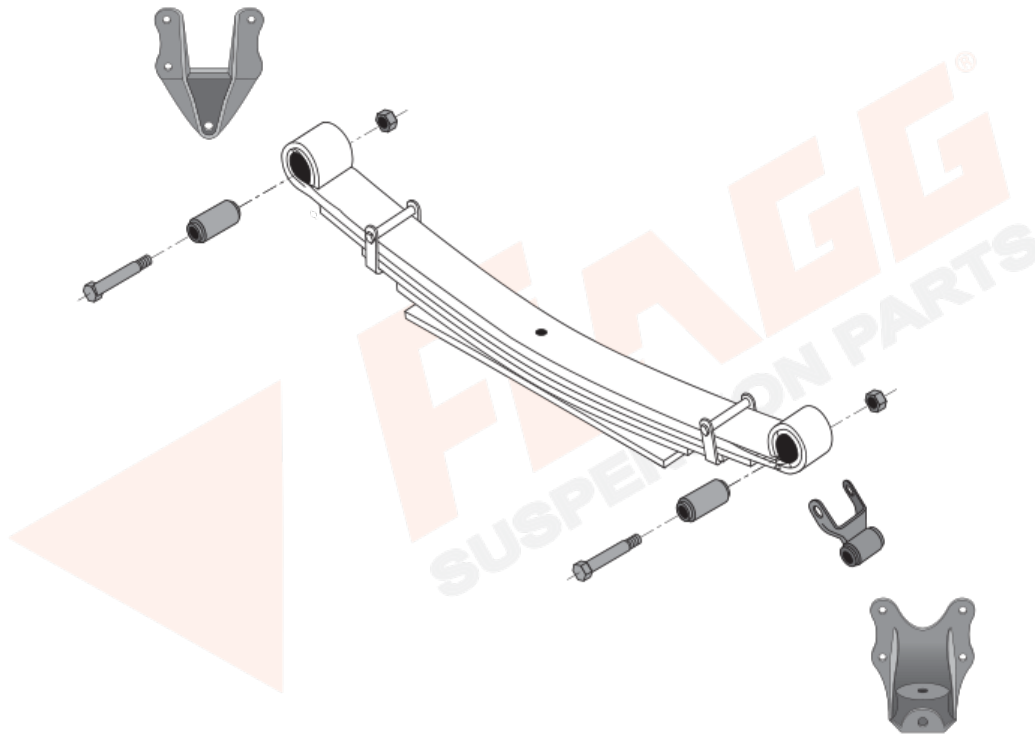
Dodge, RAM 2500 & 3500 - with Roll Pin, 2002 - 2009, Rear, Light Duty Suspension

DODGE

RAM 2500 & 3500 - WITH ROLL PIN

2002 - 2009

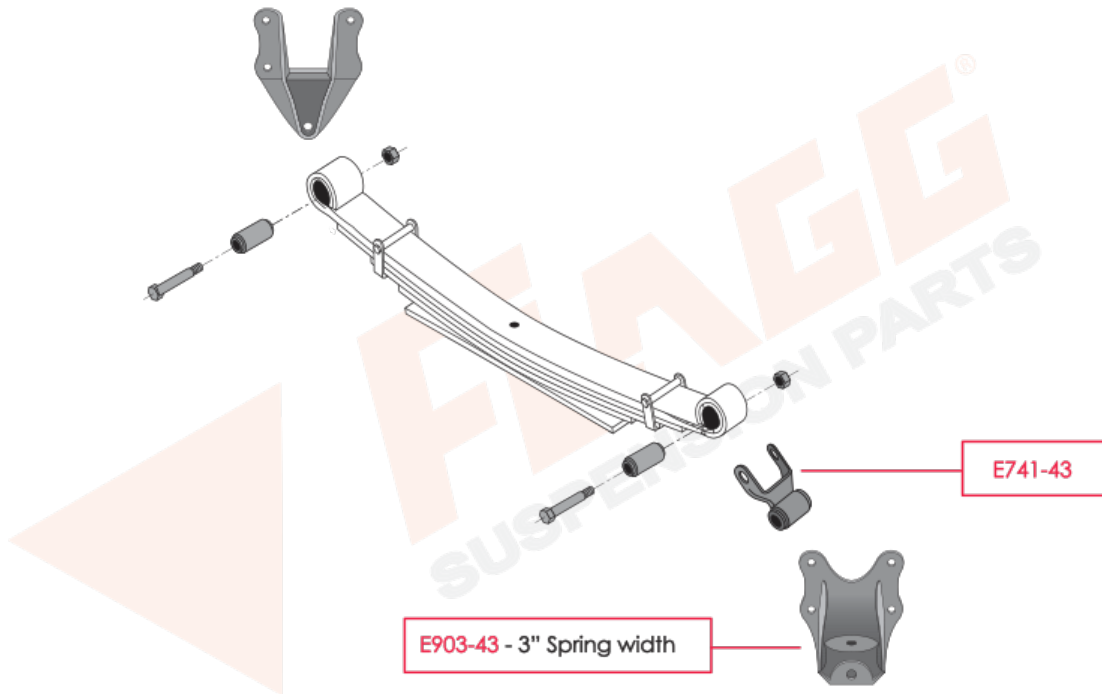
REAR



Spr.#	Descr.	B. Year	E. Year	Bush. S.E.	Bush. L.E.	Bolt S.E.	Bolt L.E.	Nut S.E.	Nut L.E.	Shackle	Frame Hanger Front	Frame Hanger Rear
34-1497	2.5" - 3/1	2002	2009	RB272	RB271	B1466-43	B1466-43	FLNC14mm	FLNC14mm	N/A	N/A	N/A
34-1451	2.5" - 3/1	2002	2009	RB272	RB271	B1466-43	B1466-43	FLNC14mm	FLNC14mm	N/A	N/A	N/A
34-1451HD	2.5" - 3/1	2002	2009	RB231	RB172	B1466-43	B1466-43	FLNC14mm	FLNC14mm	N/A	N/A	N/A

Ford, E150 & E250, 1992 - 2015, Rear, Light Duty Suspension

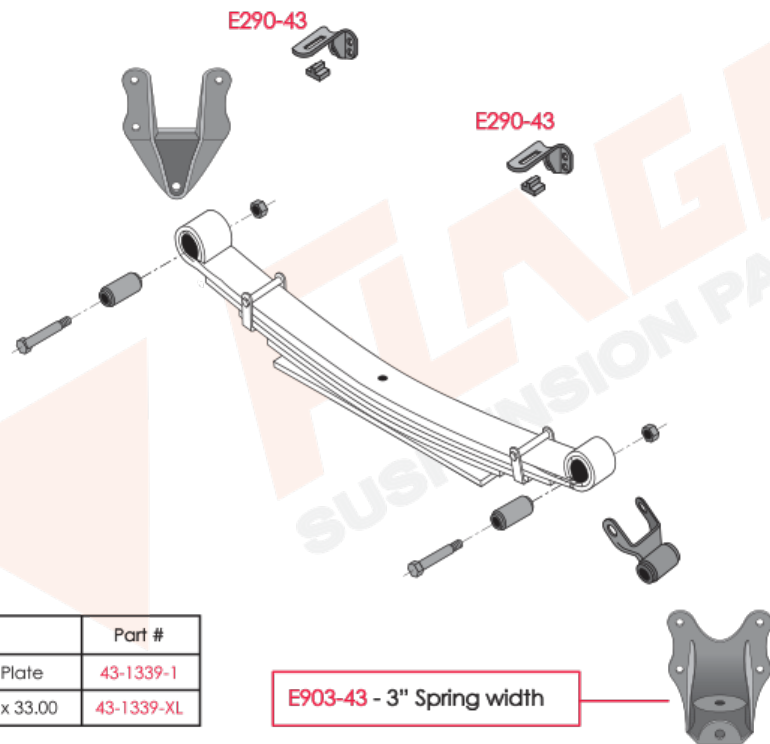
FORD E150 & E250 REAR



Spr. #	Descr.	B. Year	E. Year	Bush. S.E.	Bush. L.E.	Bolt S.E.	Bolt L.E.	Nut S.E.	Nut L.E.	Shackle	Frame Hanger Front	Frame Hanger Rear
43-1033	2.5" - 3/1	1992	2006	RB207	RB160	B1326-43	B1320-43	LNC104	LNC103	N/A	N/A	N/A
43-1045	3" - 3 lvs.	2007	2010	RB198	RB157	B1326-43	B1320-43	LNC104	LNC103	E741-43	N/A	N/A
43-1085	3" - 9 lvs.	1992	2010	RB198	RB157	B1326-43	B1320-43	LNC104	LNC103	E741-43	N/A	E903-43
43-1041	3" - 4/1	1992	2010	RB198	RB157	B1326-43	B1320-43	LNC104	LNC103	E741-43	N/A	E903-43
43-1157	3" - 3/1	1992	2010	RB198	RB157	B1326-43	B1320-43	LNC104	LNC103	E741-43	N/A	E903-43
43-1085HD	3" - 10 lvs.	1992	2010	RB198	RB157	B1326-43	B1320-43	LNC104	LNC103	E741-43	N/A	E903-43
43-1041HD	3" - 6/1	1992	2010	RB198	RB157	B1326-43	B1320-43	LNC104	LNC103	E741-43	N/A	E903-43
43-1799	3" - 9 lvs.	2008	2014	RB198	RB157	B1326-43	B1320-43	LNC104	LNC103	E741-43	N/A	E903-43

Ford, E350 & E450SD, 1992 - 2015, Rear, Light Duty Suspension

FORD
E350 & E450SD
REAR
1992 - 2015



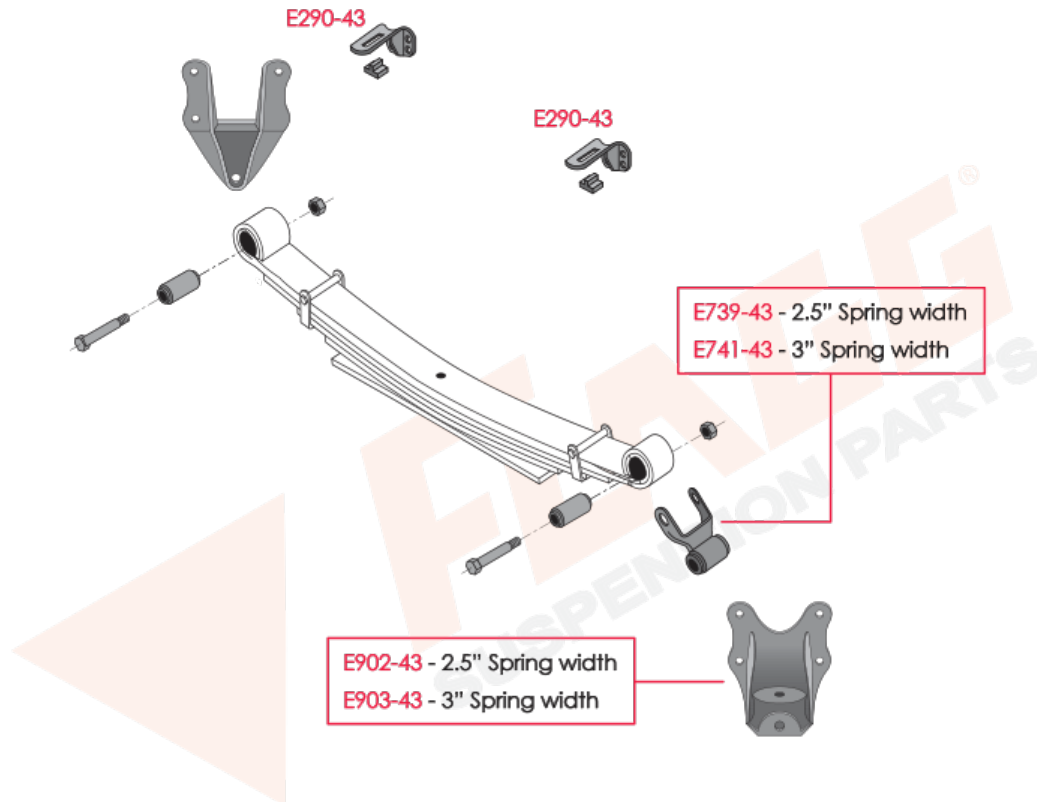
Description	Part #
Replacement Main Plate	43-1339-1
Ford Extra Leaf, 23.00 x 33.00	43-1339-XL

E903-43 - 3" Spring width

Spr.#	Descr.	B. Year	E. Year	Bush. S.E.	Bush. L.E.	Bolt S.E.	Bolt L.E.	Nut S.E.	Nut L.E.	Shackle	Frame Hanger Front	Frame Hanger Rear
43-1085	3" - 9 lvs.	1992	2015	RB198	RB157	B1477-43	B1320-43	LNC18mm	LNC103	E741-43	N/A	E903-43
43-1041	3" - 4/1	1992	2015	RB198	RB157	B1477-43	B1320-43	LNC18mm	LNC103	E741-43	N/A	E903-43
43-1157	3" - 3/1	1992	2010	RB198	RB157	B1477-43	B1320-43	LNC18mm	LNC103	E741-43	N/A	E903-43
43-1289	3" - 10 lvs.	2002	2003	RB243	RB244	B1477-43	B1326-43	LNC18mm	LNC104	E836-43	N/A	N/A
43-1289HD	3" - 10 lvs.	2002	2003	RB243	RB244	B1477-43	B1326-43	LNC18mm	LNC104	E836-43	N/A	N/A
43-1339	3" - 11 lvs.	2002	2006	RB198	RB157	B1477-43	B1320-43	LNC18mm	LNC103	E741-43	N/A	N/A
43-1041HD	3" - 6/1	1992	2015	RB198	RB157	B1477-43	B1320-43	LNC18mm	LNC103	E741-43	N/A	E903-43
43-1085HD	3" - 10	1992	2015	RB198	RB157	B1477-43	B1320-43	LNC18mm	LNC103	E741-43	N/A	E903-43
43-1339HD	3" - 10	2002	2006	RB198	RB157	B1477-43	B1320-43	LNC18mm	LNC103	E741-43	N/A	N/A

Ford, F150, 1987 - 2016, Rear, Light Duty Suspension

FORD
F150, REAR
1987 - 2016



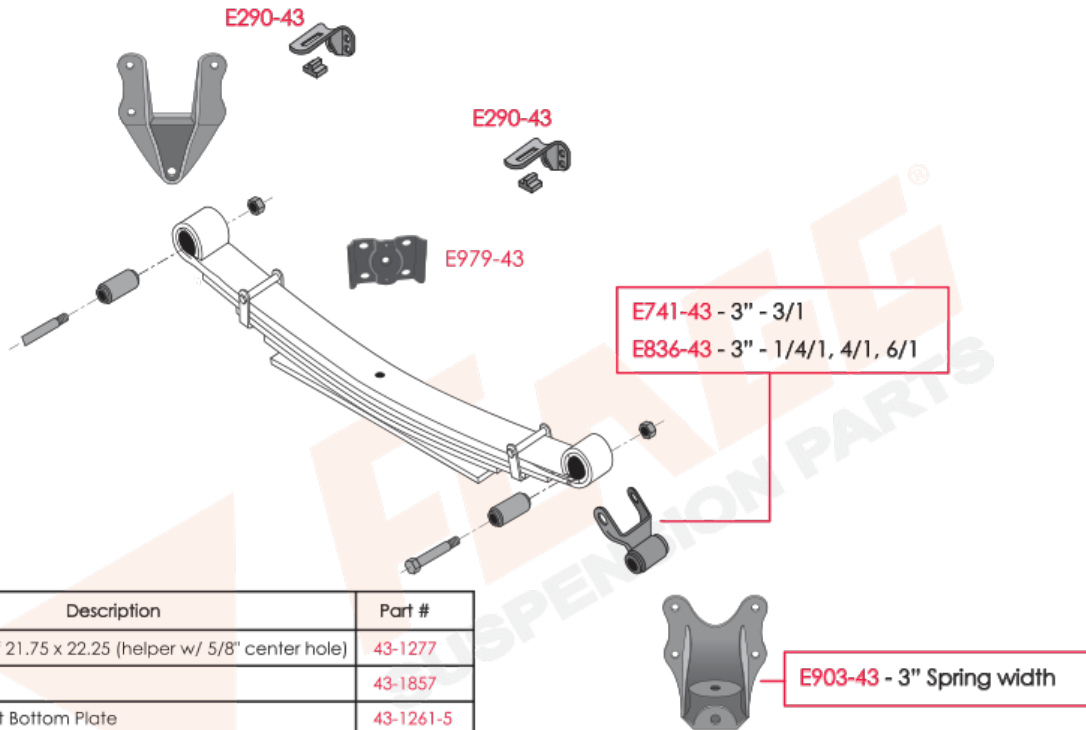
Spr. #	Descr.	B. Year	E. Year	Bush. S.E.	Bush. L.E.	Bolt S.E.	Bolt L.E.	Nut S.E.	Nut L.E.	Shackle	Frame	Frame
											Hanger	Hanger
43-711	2.5" - 4/1	1987	1998	RB159	RB160	B1320-43	B1320-43	LNC103	LNC103	E739-43	N/A	E902-43
43-883	2.5" - 4/1	1987	1998	RB159	RB160	B1320-43	B1320-43	LNC103	LNC103	E739-43	N/A	E902-43
43-1195	2.5" - 2/1	1997	2004	RB235	RB236	N/A	N/A	N/A	N/A	E739-43	N/A	E902-43
43-1199	2.5" - 3/1	1997	2004	RB235	RB236	N/A	N/A	N/A	N/A	E739-43	N/A	N/A
43-723	3" - 3/1	1980	1996	RB158	RB159	B1324-43	B1320-43	LNC104	LNC103	E741-43	N/A	E903-43
43-1553	3" w/ d.c.b. - 3/1	2005	2009	RB275	RB276	B1477-43	B1320-43	LNC105	LNC103	E741-43	N/A	N/A
43-1555	3" w/ d.c.b. - 3/1	2005	2009	RB275	RB276	B1477-43	B1320-43	LNC105	LNC103	E741-43	N/A	N/A
43-1555HD	3" w/ d.c.b. - 3/1	2005	2009	RB275	RB276	B1477-43	B1320-43	LNC105	LNC103	E741-43	N/A	N/A
43-1679	3" w/ d.c.b. - 2/1	2005	2009	RB275	RB276	B1477-43	B1320-43	LNC105	LNC103	E741-43	N/A	N/A
43-1787	3" w/ d.c.b. - 3/1	2005	2009	RB275	RB276	B1477-43	B1320-43	LNC105	LNC103	E741-43	N/A	N/A
43-1781	3" w/ d.c.b. - 2/1	2009	2010	RB275	RB326 (2)	N/A	B1320-43	N/A	LNC103	N/A	N/A	N/A
43-1783	3" - 3/1	2009	2014	RB275	RB326 (2)	N/A	B1320-43	N/A	LNC103	N/A	N/A	N/A
43-1783HD	3" - 3/4	2009	2014	RB275	RB326 (2)	N/A	B1320-43	N/A	LNC103	N/A	N/A	N/A

* w/ d.c.b.: with dual center bolt.

© 2019 Triangle Suspension Systems Inc.

Ford, F250, 1980 - 2015, Rear, Light Duty Suspension

FORD
F250, REAR
1980 - 2015



Description	Part #
3" wide 1 leaf 21.75 x 22.25 (helper w/ 5/8" center hole)	43-1277
Helper	43-1857
Replacement Bottom Plate	43-1261-5
Ford Extra Leaf, 24.00 x 29.00	43-1263-XL

Spr.#	B. Year	E. Year	Descr.	Bush. S.E.	Bush. L.E.	Bolt S.E.	Bolt L.E.	Nut S.E.	Nut L.E.	Shackle	Shackle	Frame Hanger Front	Frame Hanger Rear
43-689	1980	1997	3" - 3/1	RB158	RB157	B1324-43	B1320-43	LNC104	LNC103	E741-43	E741-43	N/A	E903-43
43-695	1980	1997	3" - 4/1	RB158	RB157	B1324-43	B1320-43	LNC104	LNC103	E741-43	E741-43	N/A	E903-43
43-1185	1980	1997	3" - 2/1	RB235	RB236	N/A	N/A	N/A	N/A	N/A	N/A	N/A	E903-43
43-1197	1997	2002	3" - 3/1	RB235	RB236	N/A	N/A	N/A	N/A	N/A	N/A	N/A	N/A
43-1517	2005	2007	3" - 4/1	RB286	RB244	B1506-43	B1326-43	FLNC16mm	LNC104	E836-43	N/A	N/A	N/A
43-1519	2005	2007	3" - 1/4/1	RB286	RB244	B1506-43	B1326-43	FLNC16mm	LNC104	E836-43	N/A	N/A	N/A
43-1593	2005	2007	3" - 4/1	RB245	RB244	B1506-43	B1326-43	FLNC16mm	LNC104	E836-43	N/A	N/A	N/A
43-1681	2010	2012	3" - 4/1	RB309	RB310	B1477-43	B1326-43	N/A	LNC104	E836-43	N/A	N/A	N/A
43-1681HD	2010	2012	3" - 4/1	RB309	RB310	B1477-43	B1326-43	N/A	LNC104	E836-43	N/A	N/A	N/A
43-1261	1999	2009	3" - 4/1	RB245	RB244	B1506-43	B1326-43	FLNC16mm	LNC104	E836-43	N/A	N/A	N/A
43-1263	1999	2009	3" - 4/1	RB245	RB244	B1506-43	B1326-43	FLNC16mm	LNC104	E836-43	N/A	N/A	N/A
43-1263HD	1999	2009	3" - 6/1	RB245	RB244	N/A	N/A	N/A	N/A	E836-43	N/A	N/A	N/A
43-1813	2008	2014	3" - 3/1	RB310	RB309	B1477-43	B1326-43	N/A	LNC104	E836-43	N/A	N/A	N/A
43-571	N/A	N/A	N/A	RB132	RB133	N/A	N/A	N/A	N/A	N/A	N/A	N/A	N/A
43-1853	2008	2017	3" - 3/1	RB310	RB309	B1477-43	B1326-43	N/A	LNC104	E836-43	N/A	N/A	N/A
43-1867	2008	2017	3" - 3/1	RB310	RB309	B1477-43	B1326-43	N/A	LNC104	E836-43	N/A	N/A	N/A

© 2019 Triangle Suspension Systems Inc.

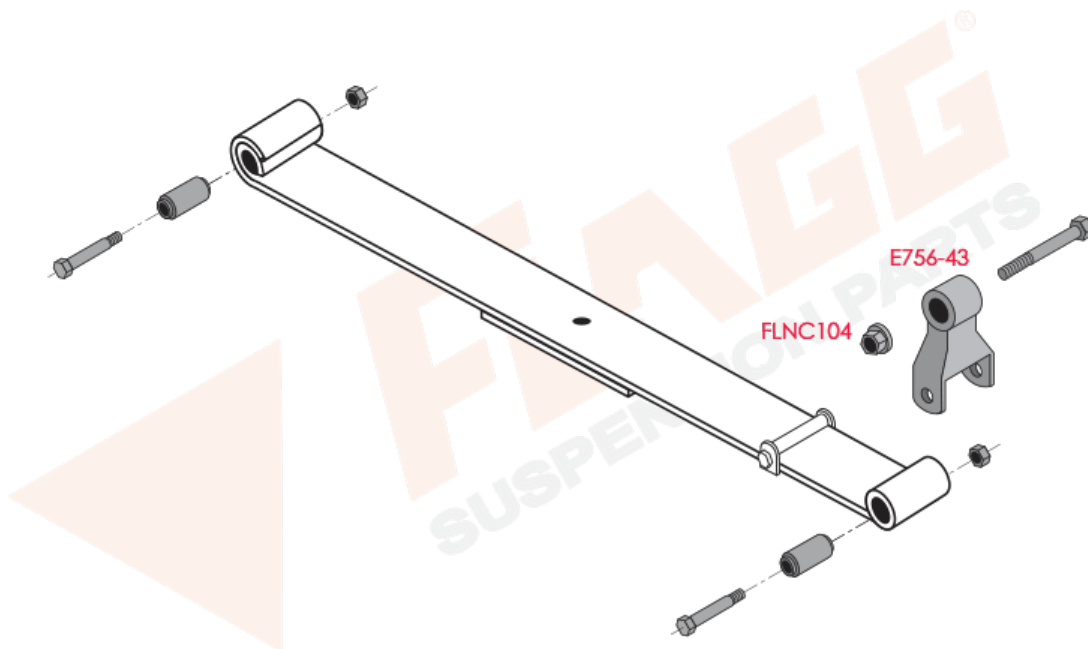
Ford, F250, F350, F450SD, F550SD, F650, F750, 1980 - 2004, Front, Light Duty Suspension

FORD

F250/F350/F450SD/F550SD/F650/F750

FRONT

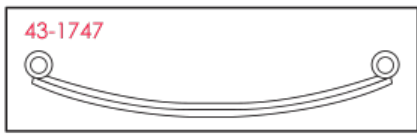
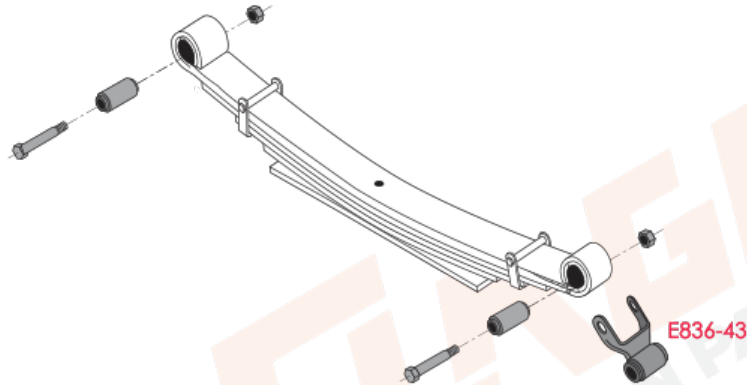
1980 - 2004



Spr. #	Spr. Width	Bolt S.E.	Nut S.E.	Bolt L.E.	Nut L.E.	Shackle
43-476	3" - 2 leaves	B1320-43	LN104	B1320-43	LN104	E756-43
43-478	3" - 2 leaves	B1320-43	LN104	B1320-43	LN104	E756-43
43-770	3" - 2 leaves	B1320-43	LN104	B1320-43	LN104	E756-43
43-814	3" - 2 leaves	B1320-43	LN104	B1320-43	LN104	E756-43
43-778	3" - 2 leaves	B1320-43	LN104	B1320-43	LN104	E756-43
43-818	3" - 2 leaves	B1320-43	LN104	B1320-43	LN104	E756-43
43-818HD	3" - 3 leaves	B1320-43	LN104	B1320-43	LN104	E756-43
43-498	3" - 2/pad	B1320-43	LN104	B1320-43	LN104	E756-43
43-498HD	3" - 3 leaves	B1320-43	LN104	B1320-43	LN104	E756-43
43-516	3" - 2/pad	B1320-43	LN104	B1320-43	LN104	N/A
43-526	3" - 2 leaves	B1320-43	LN104	B1320-43	LN104	N/A
43-630	3" - 2 leaves.	B1320-43	LN104	B1320-43	LN104	N/A
43-862	3" - pad/2/pad	B1226-55	LN105	B1226-55	LN105	N/A
43-880	4" - pad/2/2pad	N/A	N/A	N/A	N/A	N/A

Ford, F450 & F550, 1988 - 2016, Rear, Light Duty Suspension

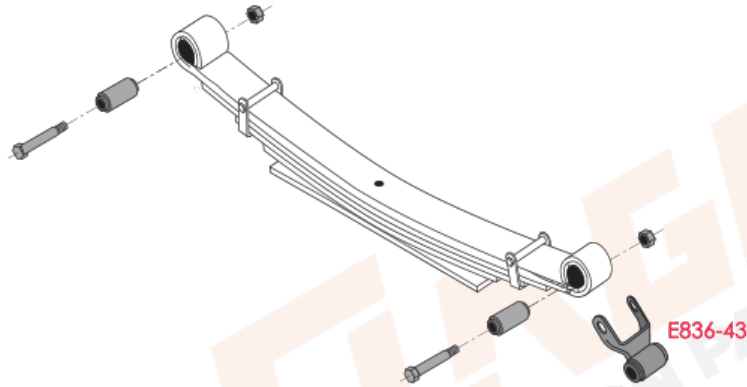
FORD
F450 & F550, REAR
1988 - 2016



Spr. #	Descr.	B. Year	E. Year	Bush. S.E.	Bush. L.E.	Nut S.E.	Nut L.E.	Shackle	Frame Hanger Front	Frame Hanger Rear
43-901	3" - 8 lvs.	1988	1997	RB177	RB178	N/A	N/A	E836-43	N/A	N/A
43-1285	3" - 10 lvs.	1999	2004	RB243	RB244	N/A	N/A	E836-43	N/A	N/A
43-1593	3" - 4/1	2005	2007	RB245	RB244	N/A	N/A	E836-43	N/A	N/A
43-1681	3" - 4/1	2006	2010	RB309	RB310	N/A	N/A	E836-43	N/A	N/A
43-1681HD	3" - 4/1	2006	2010	RB309	RB310	N/A	N/A	E836-43	N/A	N/A
43-1289	3" - 10 lvs.	1999	2011	RB243	RB244	N/A	LNC104	E836-43	N/A	N/A
43-1289HD	3" - 10 lvs.	1999	2011	RB243	RB244	N/A	LNC104	E836-43	N/A	N/A
43-1803	3" - 9/2 pds.	2005	2010	RB331	RB244	N/A	LNC104	N/A	N/A	N/A
43-1747	3" - 10 lvs.	2006	2012	RB243	RB244					
43-1823	3" - 11 lvs.			RB331	RB244					

Ford, Models F450 & F550, Rear, Light Duty Suspension

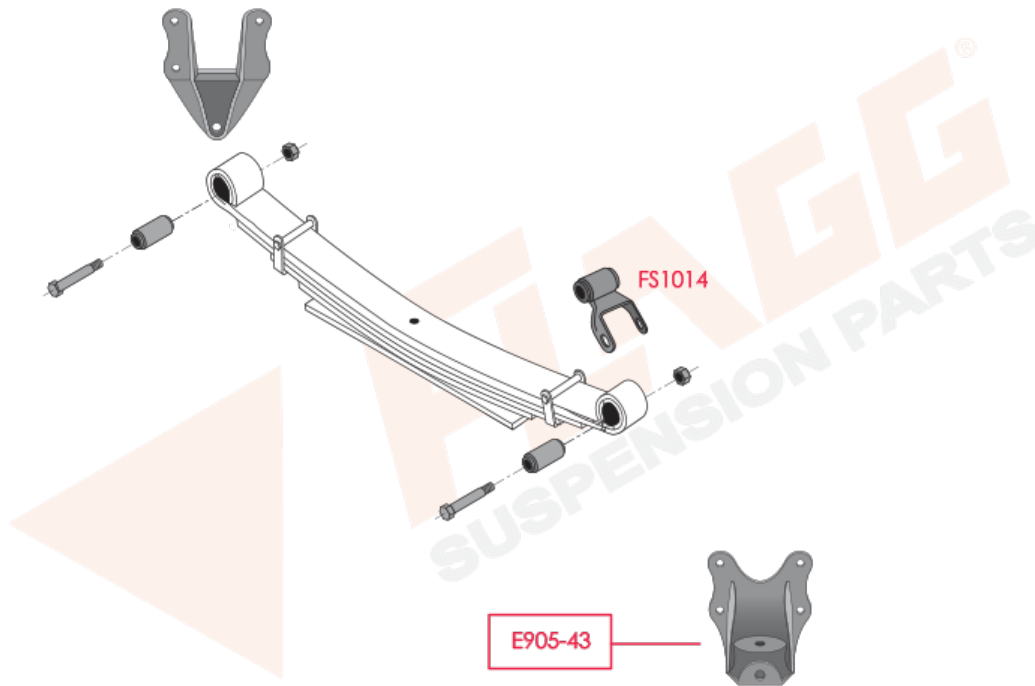
FORD F450 & F550 REAR



Spr. #	Descr.	B. Year	E. Year	Bush. S.E.	Bush. L.E.	Nut S.E.	Nut L.E.	Shackle	Frame Hanger Front	Frame Hanger Rear
43-901	3" - 8 lvs.	1988	1997	RB177	RB178	N/A	N/A	E836-43	N/A	N/A
43-1285	3" - 10 lvs.	1999	2004	RB243	RB244	N/A	N/A	E836-43	N/A	N/A
43-1593	3" - 4/1	2005	2007	RB245	RB244	N/A	N/A	E836-43	N/A	N/A
43-1681	3" - 4/1	2006	2010	RB309	RB310	N/A	N/A	E836-43	N/A	N/A
43-1681HD	3" - 4/1	2006	2010	RB309	RB310	N/A	N/A	E836-43	N/A	N/A
43-1289	3" - 10 lvs.	1999	2011	RB243	RB244	N/A	LNC104	E836-43	N/A	N/A
43-1289HD	3" - 10 lvs.	1999	2011	RB243	RB244	N/A	LNC104	E836-43	N/A	N/A
43-1803	3" - 9/2 pds.	2005	2010	RB331	RB244	N/A	LNC104	N/A	N/A	N/A
43-1747	3" - 10 lvs.	2006	2012	RB243	RB244					
43-1823	3" - 11 lvs.			RB331	RB244					

Ford, Ranger, 1986 - 2011, Rear, Light Duty Suspension

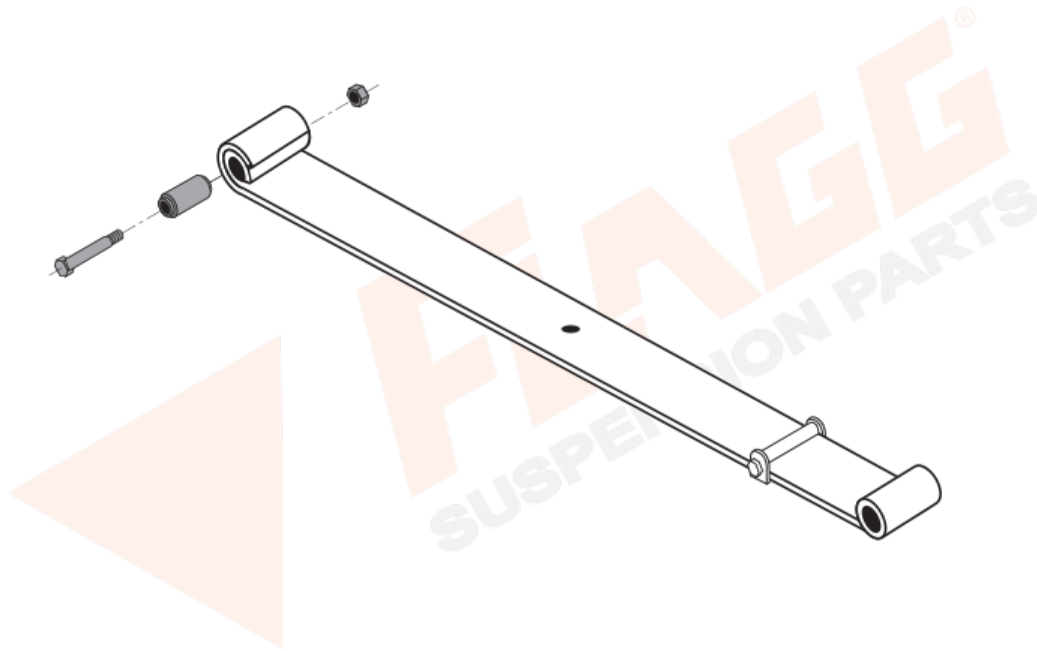
FORD
RANGER, REAR
1986 - 2011



Spr. #	Descr.	B. Year	E. Year	Bush. S.E.	Bush. L.E.	Bolt S.E.	Bolt L.E.	Nut S.E.	Nut L.E.	Shackle	Frame Hanger Front	Frame Hanger Rear
43-1503	2.5" - 3/1	2004	2011	RB296	RB297	N/A	N/A	LNC104	LNC103	N/A	N/A	E905-43
43-1505	2.5" - 3/1	2004	2011	RB296	RB297	N/A	N/A	LNC104	LNC103	N/A	N/A	E905-43
43-817	2.5" - 3/1	1983	1985	RB159	RB160	B1320-43	B1320-43	LNC103	LNC103	N/A	N/A	E905-43
43-781	2.5" - 3/1	1986	2003	RB159	RB160	B1320-43	B1320-43	LNC103	LNC103	N/A	N/A	E905-43
43-967	2.5" - 3/1	1986	2003	RB159	RB160	B1320-43	B1320-43	LNC103	LNC103	N/A	N/A	E905-43
43-1067	2.5" - 2/1	1986	2003	RB159	RB160	B1320-43	B1320-43	LNC103	LNC103	N/A	N/A	E905-43

GM, BLAZER, K10, K25, 1967 - 1987, Front, Light Duty Suspension

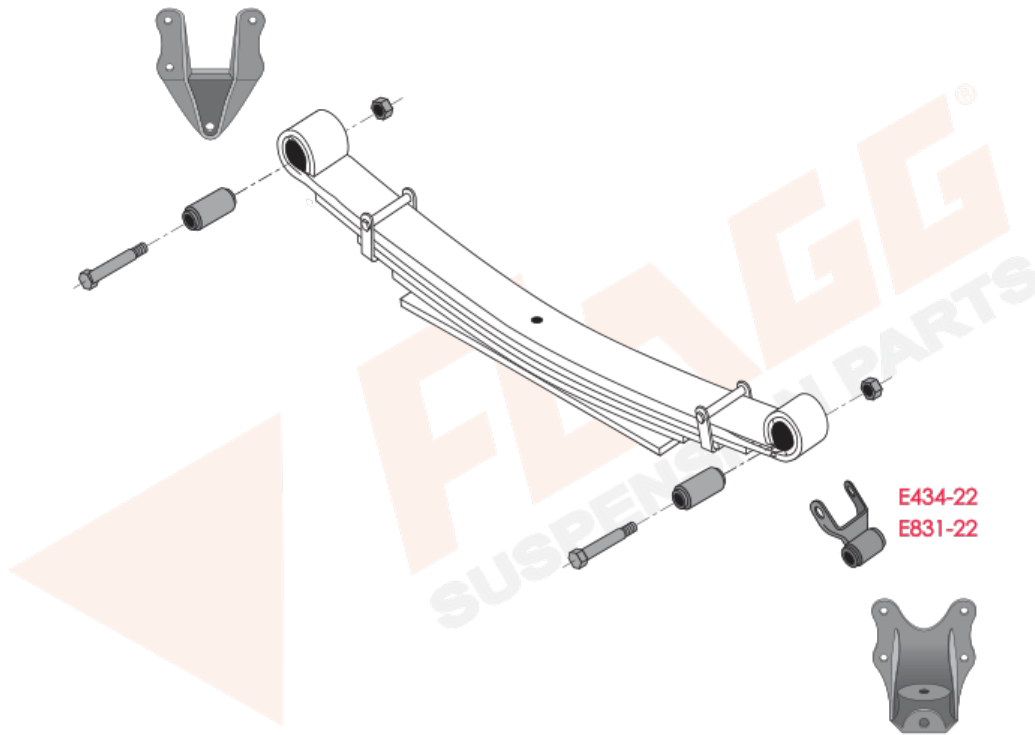
CHEVROLET/GMC BLAZER/K10/K25, 1967 - 1987 FRONT



Spr. #	Descr.	B. Year	E. Year	Bush. S.E.	Bush. L.E.	Bolt S.E.	Bolt L.E.	Nut S.E.	Nut L.E.	Shackle
22-382	2.5" - 2 lvs.	1967	1972	RB98	N/A	F916500	N/A	LN103	N/A	CS386
22-384	2.5" - 3 lvs.	1967	1972	RB98	N/A	F916500	N/A	LN103	N/A	CS386
22-400	2.75" - 2 lvs.	1973	1987	RB98	N/A	F916500	N/A	LN103	N/A	CS386
22-402	2.75" - 3 lvs.	1973	1987	RB98	N/A	F916500	N/A	LN103	N/A	CS386
22-402HD	2.75" - 4 lvs.	1973	1987	RB98	N/A	F916500	N/A	LN103	N/A	CS386

GM, C25 - K25 & C2500 - K2500, 1973 - 2000, Rear, Light Duty Suspension

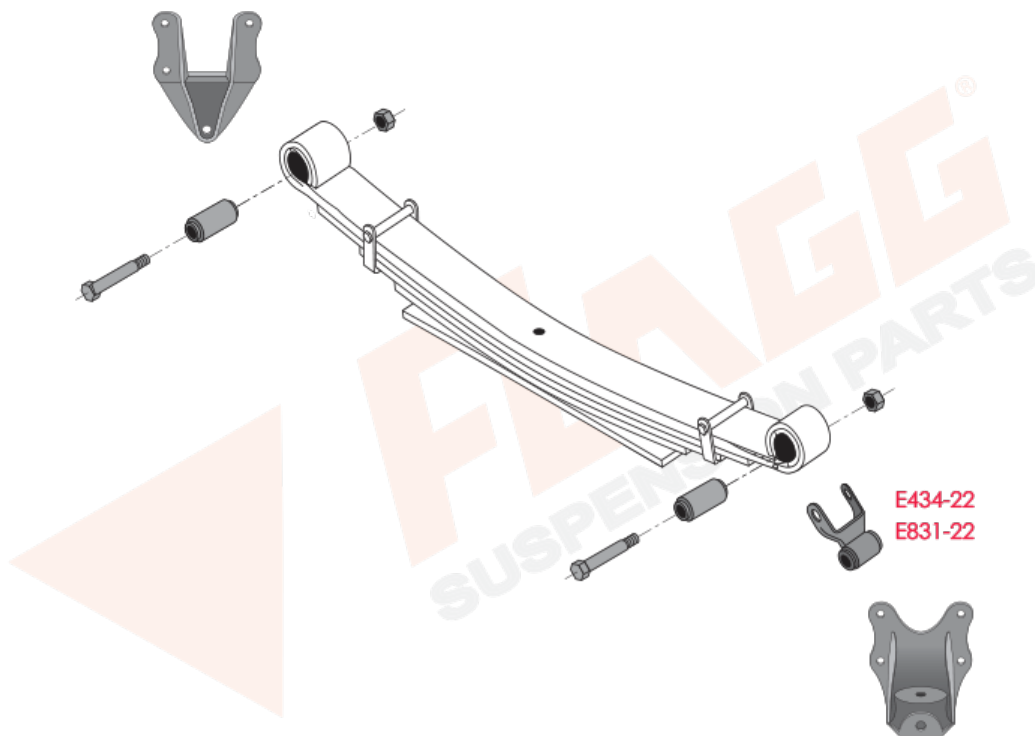
CHEVROLET/GMC C25 - K25 & C2500 - K2500 1973 - 2000 REAR



Spr. #	Descr.	B. Year	E. Year	Bush. S.E.	Bush. L.E.	Bolt S.E.	Bolt L.E.	Nut S.E.	Nut L.E.	Shackle	Frame Hanger Front	Frame Hanger Rear
22-459	2.5" - 7/1	1973	1988	RB136	RB117	B1322-43	B1322-43	LNC103	LNC103	E434-22	N/A	N/A
22-485	2.5" - 6/1	1973	1979	RB117	RB117	B1322-43	B1322-43	LNC103	LNC103	E434-22	N/A	N/A
22-795	2.5" - 4/1	1988	2000	RB172	RB172	B1322-43	B1322-43	LNC103	LNC103	E434-22/ E831-22	N/A	N/A
22-1649	3" - 4/1	2011	2013	RB227	RB158	N/A	N/A	N/A	N/A	N/A	N/A	N/A
22-1649HD	3" - 4/1	2011	2013	RB227	RB158	N/A	N/A	N/A	N/A	N/A	N/A	N/A
22-1531	2.5" - 5/1	1999	2012	RB250	RB172	N/A	N/A	N/A	N/A	N/A	N/A	N/A
22-1289	2.5" - 5/1	1999	2012	RB250	RB172	B1247-22	B1322-43	LN104	LNC103	E831-22	N/A	N/A
22-1269	2.5" - 4/1	1999	2012	RB250	RB172	B1247-22	B1322-43	LN104	LNC103	E831-22	N/A	N/A
22-419	2.5" - 6/1	1973	1988	RB117	RB117	B1322-43	B1322-43	LNC103	LNC103	E434-22	N/A	N/A
22-419HD	2.5" - 8/1	1973	1988	RB117	RB117	B1322-43	B1322-43	LNC103	LNC103	E434-22	N/A	N/A
22-1289HD	2.5" - 7/1	1999	2012	RB250	RB172	B1247-22	B1322-43	LN104	LNC103	E831-22	N/A	N/A

GM, C30, C35, C3500 - K3500, 1977 - 2000, Rear - Light Duty Suspension

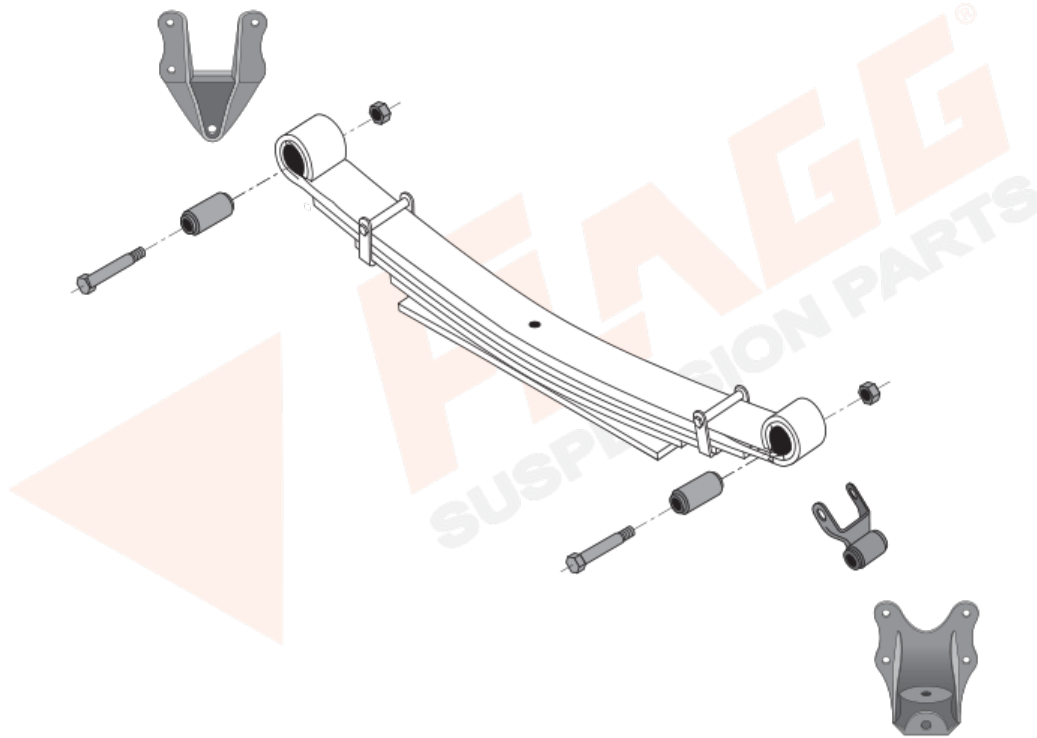
CHEVROLET/GMC
C30, C35 & C3500 - K3500
1977 - 2000
REAR



Spr. #	Descr.	B. Year	E. Year	Bush. S.E.	Bush. L.E.	Bolt S.E.	Bolt L.E.	Nut S.E.	Nut L.E.	Shackle	Frame Hanger Front	Frame Hanger Rear
22-547	2.5" - 8/1	1977	1991	RB136	RB117	B1322-43	B1322-43	LCN103	LCN103	E434-22	N/A	N/A
22-547HD	2.5" - 8/1	1977	1991	RB136	RB117	B1322-43	B1322-43	LCN103	LCN103	E434-22	N/A	N/A
22-797	2.5" - 5/1	1988	2000	RB172	RB172	B1322-43	B1322-43	LCN103	LCN103	E434-22/ E831-22	N/A	N/A
22-797HD	2.5" - 7/1	1988	2000	RB172	RB172	B1322-43	B1322-43	LCN103	LCN103	E434-22/ E831-22	N/A	N/A
22-1649	2.5" - 4/1	2011	2013	RB227	RB158							
22-1649HD	2.5" - 4/1	2011	2013	RB227	RB158							

GM, C3500HD, 1991 - 2002, Rear - Light Duty Suspension

CHEVROLET/GMC
C3500HD, 1991 - 2002
REAR



Spr. #	Descr.	B. Year	E. Year	Bush. S.E.	Bush. L.E.	Bolt S.E.	Bolt L.E.	Nut S.E.	Nut L.E.	Shackle	Frame Hanger Front	Frame Hanger Rear
22-1009	3" - 5 lvs.	1991	2002	RB218	RB219	B1327-43	B1342-22	LNC105	LN104	N/A	N/A	N/A
22-1009HD	3" - 7 lvs.	1991	2002	RB218	RB219	B1327-43	B1342-22	LNC105	LN104	N/A	N/A	N/A
22-1693	3" - 7 lvs.	2010	2016	RB339	RB340 - rev.							

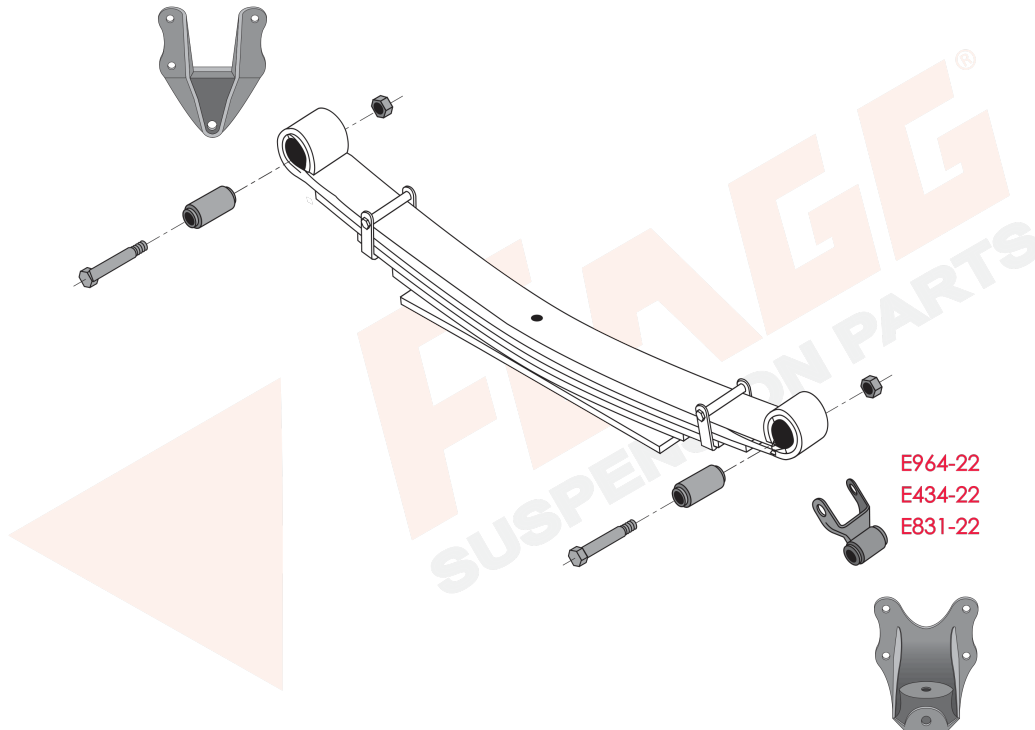
GM, G1500 - G2500_1992 - 2006, Rear - Light Duty Suspension

CHEVROLET/GMC

G1500 - G2500

1992 - 2006

REAR



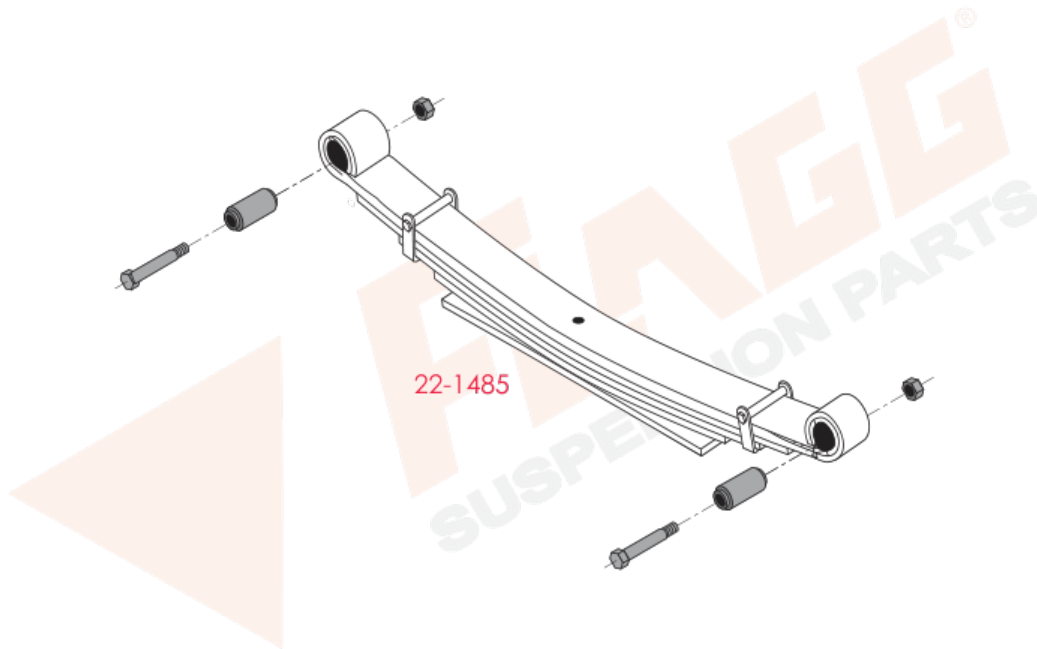
Spr. #	Descr.	B. Year	E. Year	Bush. S.E.	Bush. L.E.	Bolt S.E.	Bolt L.E.	Nut S.E.	Nut L.E.	Shackle	Frame Hanger Front	Frame Hanger Rear
22-901	2.5" - 5/1	1992	1996	RB172	RB172	B1322-43	B1322-43	LNC103	LNC103	E434-22/ E831-22	N/A	N/A
22-1175	2.5" - 3 lvs.	1996	2009	RB172	RB172	B1322-43	B1322-43	LNC103	LNC103	E434-22/ E831-22	N/A	N/A
22-1029	2.25" - 4/1	1992	1995	RB130	RB206	B1322-43	B1322-43	LNC103	LNC103	E964-22	N/A	N/A

GM, Hummer H3, Rear, Light Duty Suspension

GM HUMMER H3

***BOLD RED NUMBERS REFLECT TRIANGLE PART NUMBERS**

**ITALICIZED BLACK NUMBERS REFLECT OEM NUMBERS (USE FOR REFERENCE ONLY)*



Common Replacement Springs

Description	Part #
2.5" wide, 5 leaf, 1 pad/4 leaf	22-1485

© 2018 Triangle Suspension Systems Inc.

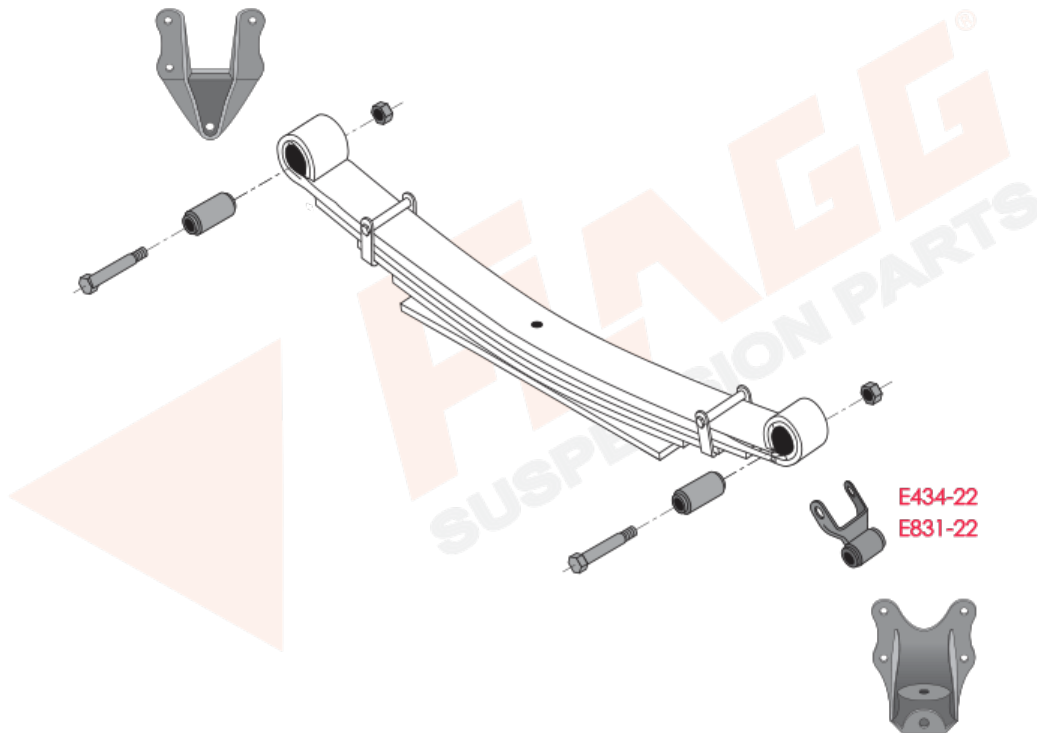
GM, K1500 & C1500, 1973 - 1998, Rear - Light Duty Suspension

CHEVROLET/GMC

K1500 & C1500, BLAZER 4WD & SUBURBAN 4WD

1973 - 1998

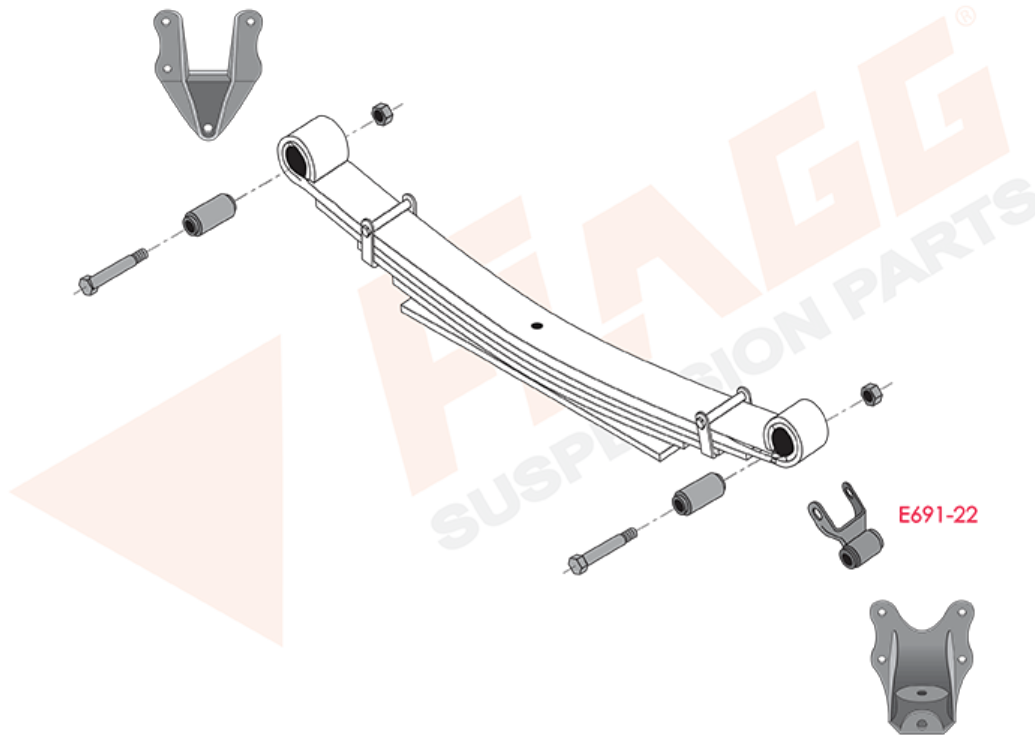
REAR



Spr. #	Descr.	B. Year	E. Year	Bush. S.E.	Bush. L.E.	Bolt S.E.	Bolt L.E.	Nut S.E.	Nut L.E.	Shackle	Frame Hanger Front	Frame Hanger Rear
22-403	2.5" - 5/1	N/A	N/A	RB117	RB117	B1322-43	B1322-43	LNC103	LNC103	E434-22	N/A	N/A
22-553	2.5" - 5/1	1973	1988	RB117	RB117	B1322-43	B1322-43	LNC103	LNC103	E434-22	N/A	N/A
22-793	2.5" - 3/1	1988	2000	RB172	RB172	B1322-43	B1322-43	LNC103	LNC103	E434-22/ E831-22	N/A	N/A

GM, P Model Vans, 1973 - 1991, Rear, Light Duty Suspension

GM - LIGHT DUTY P MODEL VANS 1973 - 1991

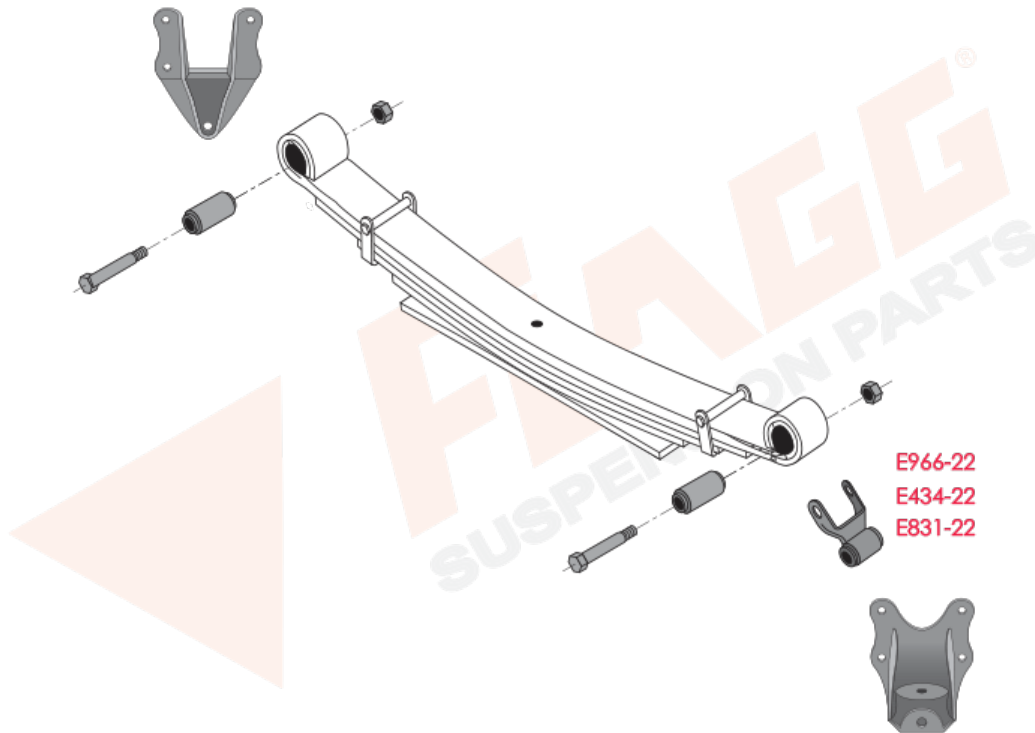


Description	Part #
2-1/2" wide, 1 leaf (helper)	22-989

Spr. #	Descr.	B. Year	E. Year	Bush. S.E.	Bush. L.E.	Bolt S.E.	Bolt L.E.	Nut S.E.	Nut L.E.	Shackle	Frame Hanger Front	Frame Hanger Rear
22-603	2.5" - 10/1	1973	1991	RB129	RB129	B1247-22	B1247-22	LNC104	LNC104	E691-22	N/A	N/A
22-603HD	2.5" - 10/1	1973	1991	RB129	RB129	B1247-22	B1247-22	LNC104	LNC104	E691-22	N/A	N/A

GM, S10, S15, S10 Blazer & S15 Jimmy, Rear, Light Duty Suspension

CHEVROLET/GMC
S10, S15, S10 BLAZER & S15 JIMMY
1982 - 2004
REAR



Spr. #	Descr.	B. Year	E. Year	Bush. S.E.	Bush. L.E.	Bolt S.E.	Bolt L.E.	Nut S.E.	Nut L.E.	Shackle	Frame Hanger Front	Frame Hanger Rear
22-859	2.5" - 2/1	1982	2005	RB117	RB117	B1322-43	B1322-43	LNC103	LNC103	E434-22	N/A	N/A
22-1139	2.5" - 3/1	1995	2004	RB231	RB117	B1322-43	B1322-43	LNC103	LNC103	E434-22	N/A	N/A
22-1143	2.5" - 3/1	1995	2004	RB231	RB117	B1322-43	B1322-43	LNC103	LNC103	E434-22	N/A	N/A
22-1013	2.5" - 3/1	1995	2005	RB231	RB172	B1322-43	B1322-43	LNC103	LNC103	E434-22/ E831-22	N/A	N/A
22-1017	2.5" - 3/1	1995	2005	RB231	RB172	B1322-43	B1322-43	LNC103	LNC103	E434-22/ E831-22	N/A	N/A
22-1419	2.5" - 3/1	2004	2013	RB172	RB172	B1322-43	B1322-43	LN103	LN103	E966-22	N/A	N/A
22-1449	2.5" - 3/1	2004	2008	RB172	RB172	B1322-43	B1322-43	LN103	LN103	E966-22	N/A	N/A
22-807	2.5" - 3/1	1987	2001	RB172	RB172	B1322-43	B1322-43	LNC103	LNC103	E966-22	N/A	N/A
22-687	2.5" - 3/1	1982	1994	RB172	RB172	B1322-43	B1322-43	LNC103	LNC103	E966-22	N/A	N/A

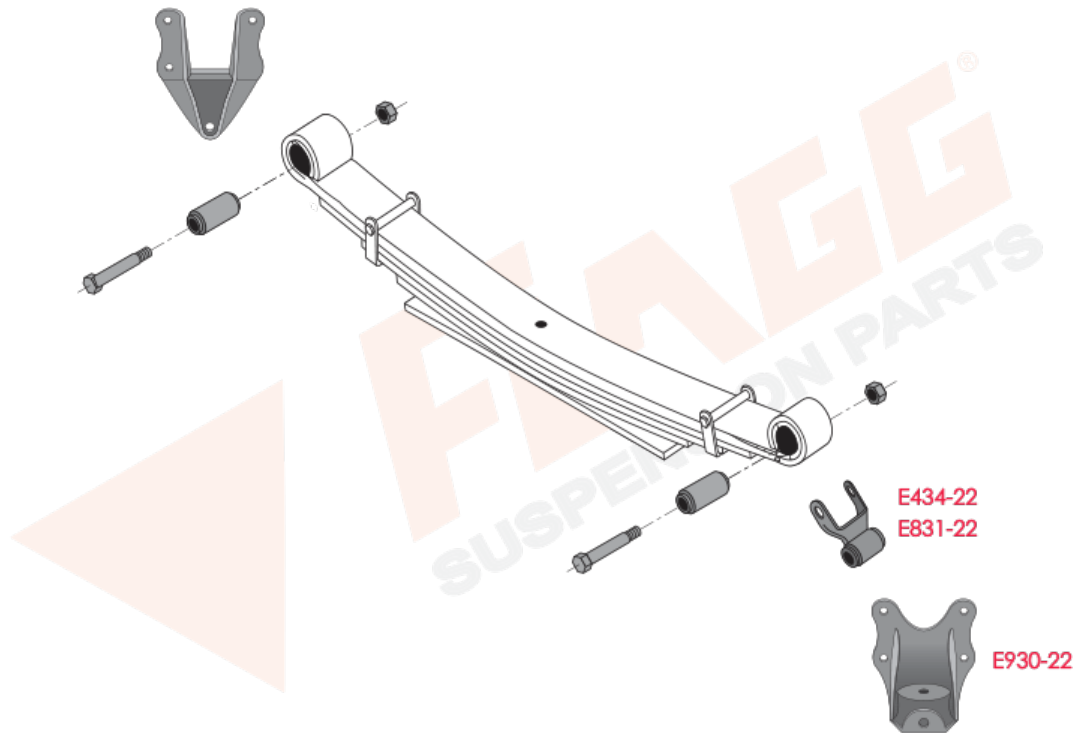
GM, Silverado - Sierra, 1500, 2500, 3500, 1999 - 2015, Rear, Light Duty Suspension

CHEVROLET/GMC

SILVERADO - SIERRA 1500, 2500, 3500

1999 - 2015

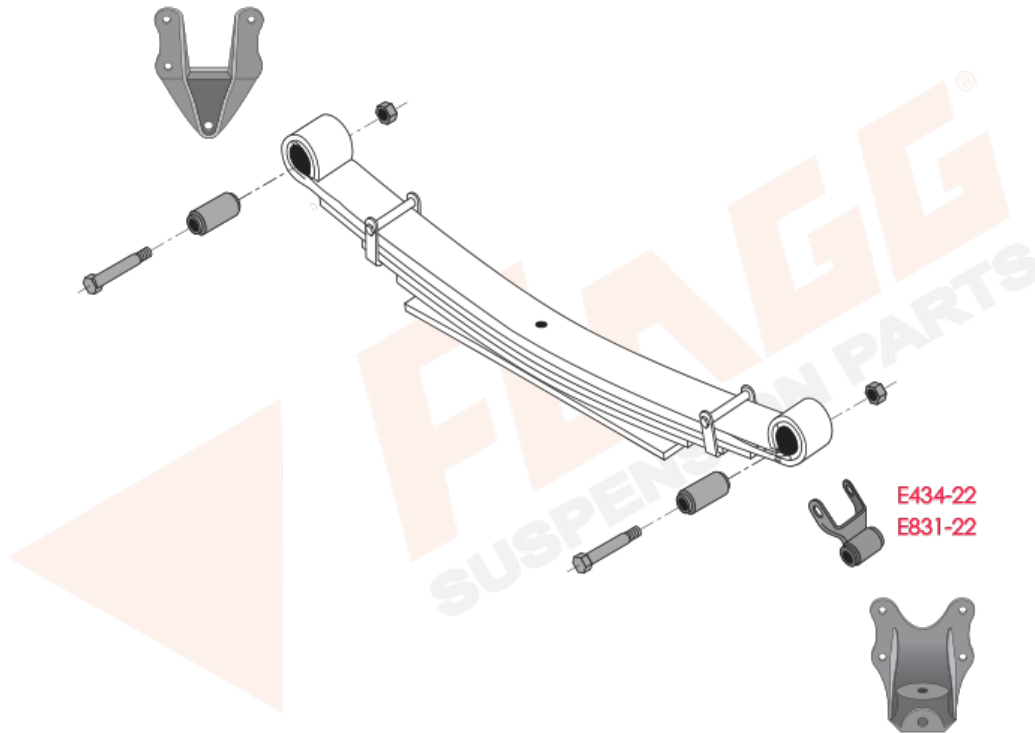
REAR



22-1487	2.5" - 2/1	2002	2015	RB319	RB318	B1247-22	B1322-43	LN104	LNC103	E831-22	N/A	E930-22
22-1671	2.5" - 2/1	2002	2015	RB319	RB318	B1247-22	B1322-43	LN104	LNC103	E831-22	N/A	E930-22
22-1221	2.5" - 2/1	1999	2006	RB250	RB172	B1247-22	B1322-43	LN104	LNC103	E434-22 / E831-22	N/A	E930-22
22-1567	2.5" - 2/1	1999	2013	RB250	RB172	B1247-22	B1322-43	LN104	LNC103	N/A	N/A	E930-22
22-1289	2.5" - 5/1	1999	2012	RB250	RB172	B1247-22	B1322-43	LN104	LNC103	E434-22 / E831-22	N/A	E930-22
22-1289HD	2.5" - 7/1	1999	2010	RB250	RB172	B1247-22	B1322-43	LN104	LNC103	E434-22 / E831-22	N/A	E930-22
22-1639	2.5" - 4/1	1999	2010	RB250	RB172	B1247-22	B1322-43	LN104	LNC103	N/A	N/A	E930-22
22-1269	2.5" - 4/1	1999	2012	RB250	RB172	B1247-22	B1322-43	LN104	LNC103	N/A	N/A	N/A
22-1531	2.5" - 5/1	1999	2012	N/A	N/A	N/A	N/A	N/A	N/A	N/A	N/A	N/A

GM, Suburban - Tahoe - Yukon, 1992 - 2000, Rear, Light Duty Suspension

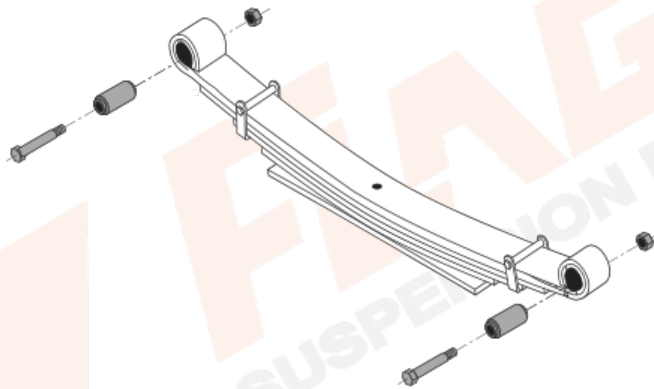
CHEVROLET/GMC SUBURBAN - TAHOE - YUKON 1992 - 2000 REAR



Spr. #	Descr.	B. Year	E. Year	Bush. S.E.	Bush. L.E.	Bolt S.E.	Bolt L.E.	Nut S.E.	Nut L.E.	Shackle	Frame Hanger Front	Frame Hanger Rear
22-909	2.5" - 4/1	1992	2000	RB172	RB172	B1322-43	B1322-43	LNC103	LNC103	E434-22/ E831-22	N/A	N/A
22-907	2.5" - 5/1	1992	2000	RB172	RB172	B1322-43	B1322-43	LNC103	LNC103	E434-22/ E831-22	N/A	N/A
22-1277	2.5" - 4/1	2000	2013	RB250	RB172	B1247-22	B1322-43	LN104	LNC103	E434-22/ E831-22	N/A	N/A
22-905	2.5" - 4/1	1992	1999	RB172	RB172							

Nissan, Frontier, Rear, Light Duty Suspension

NISSAN FRONTIER

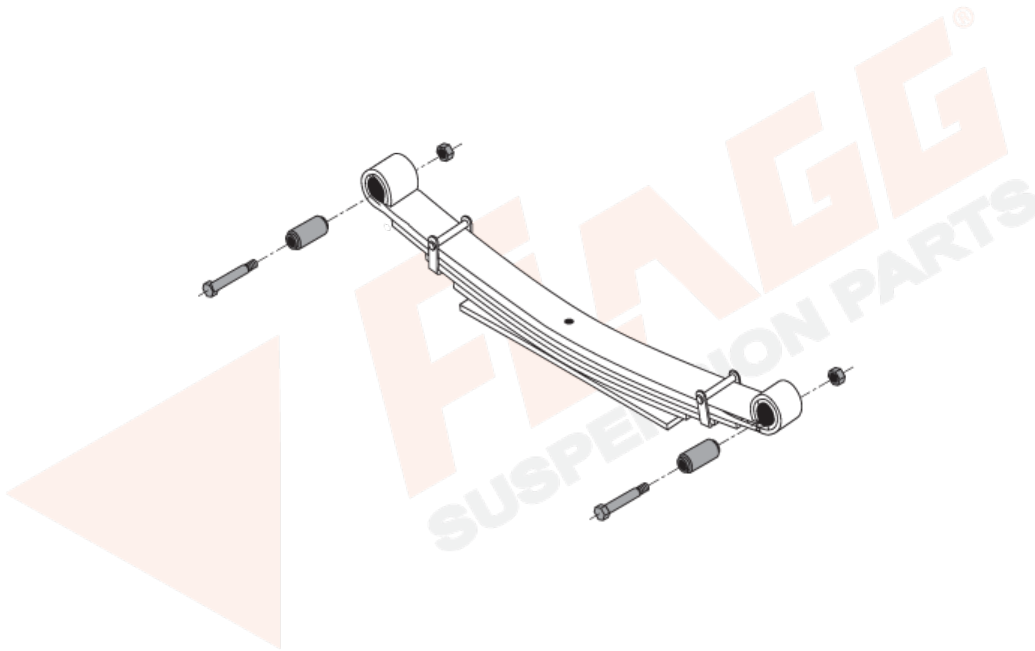


Spr.#	Descr.	B. Year	E. Year	Bush. S.E.	Bush. L.E.
69-277	60mm, 2/1, 2WD	1998	2004	RB201	40mm
69-257	60mm, 3/1, 2WD	1998	2004	RB252 rev	RB201 ber
69-269	60mm, 2/1, 2WD	1998	2004	RB252 rev	RB201 ber
69-279	60mm, 3/1, 2WD	1998	2004	RB252 rev	RB201 ber
69-271	60mm, 2/1, 2WD	1998	2004	RB252 rev	RB201 ber
69-253	60mm, 2/1, 4WD	1998	2004	RB252	RB201
69-255	60mm, 2/1, 4WD	1998	2004	RB252	RB201
69-281	60mm, 2/1, 4WD	1998	2004	RB252	RB201
69-289	60mm, 3/1, 2WD, King Cab	2005	2006	RB303 ber	MS60-4033 ber
69-287	60mm, 3/1, 2WD, Crew Cab	2005	2006	RB303 ber	MS60-4033 ber
69-285	60mm, 3/1, 4WD, King Cab	2005	2006	RB303 ber	MS60-4033 ber
69-283	60mm, 3/1, 4WD, Crew Cab	2005	2006	RB303 ber	MS60-4033 ber

© 2018 Triangle Suspension Systems Inc.

Nissan, Pickup, Rear, Light Duty Suspension

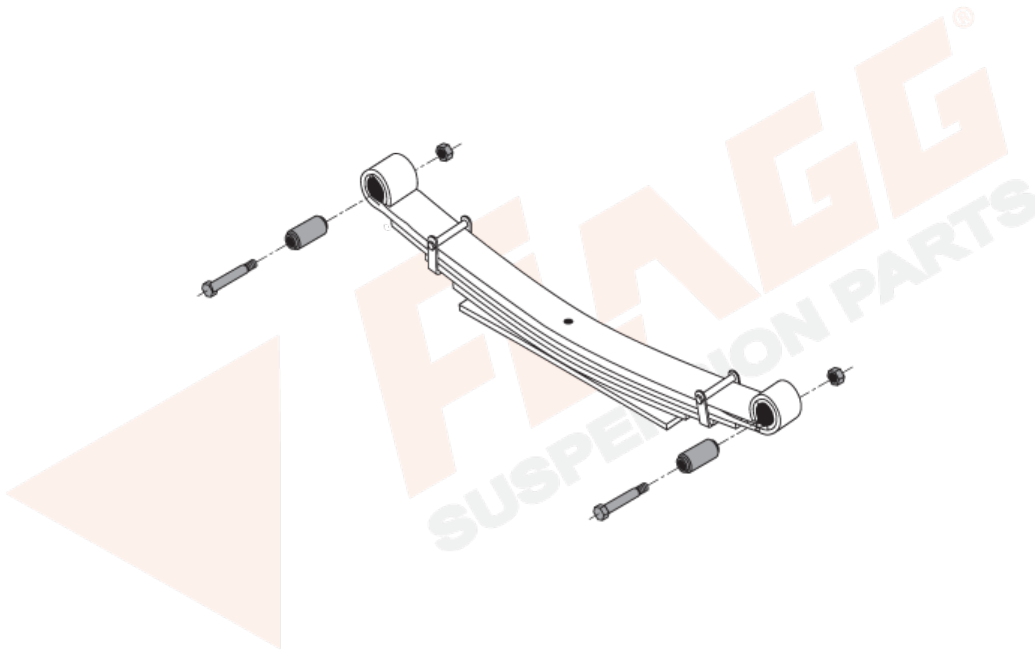
NISSAN PICKUP



Spr.#	Descr.	B. Year	E. Year	Bush. S.E.	Bush. L.E.
69-141	60mm, 2/1, 2WD	1986	1997	40mm	33mm
69-151	60mm, 2/1, 2WD	1986	1997	40mm	RB201
69-149	60mm, 2/2, 2WD HD	1986	1997	40mm	33mm
69-147	60mm, 2/2 4WD	1986	1997	RB202	RB201

Nissan, Titan, Rear, Light Duty Suspension

NISSAN TITAN

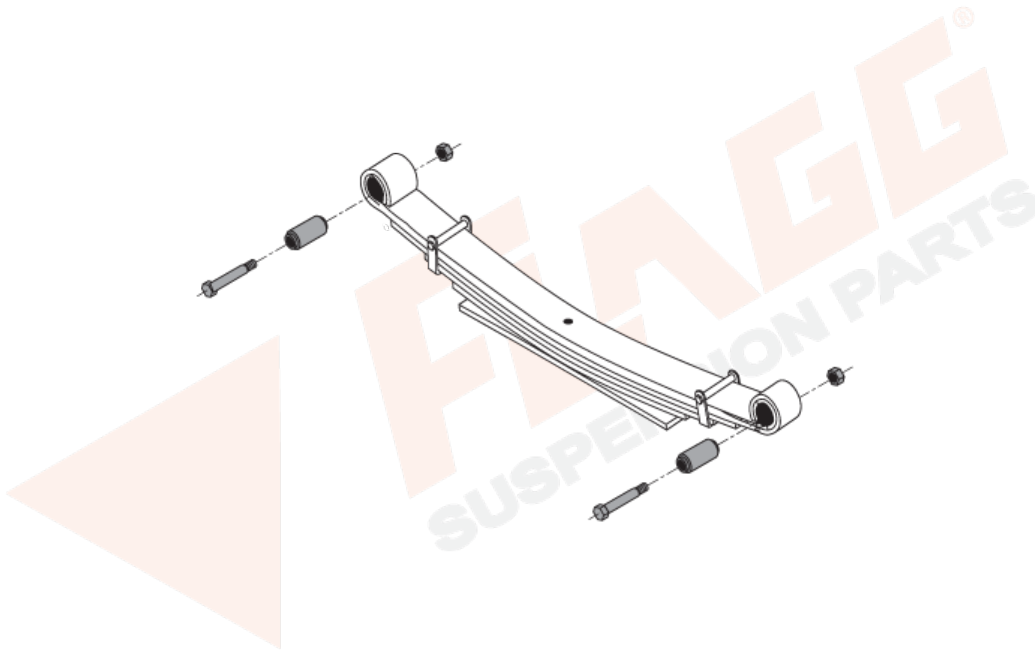


Spr.#	Descr.	B. Year	E. Year	Bush. S.E.	Bush. L.E.
69-261	60mm, 3/1, 2WD	2004	2006	RB281 ber	RB282 ber
69-263	60mm, 3/1, 4WD	2004	2006	RB281 ber	RB282 ber
69-265	60mm, 3/1, 4WD, tow pkg.	2004	2006	RB281 ber	RB282 ber

© 2014 Triangle Suspension Systems Inc.

Nissan, Xterra, Rear, Light Duty Suspension

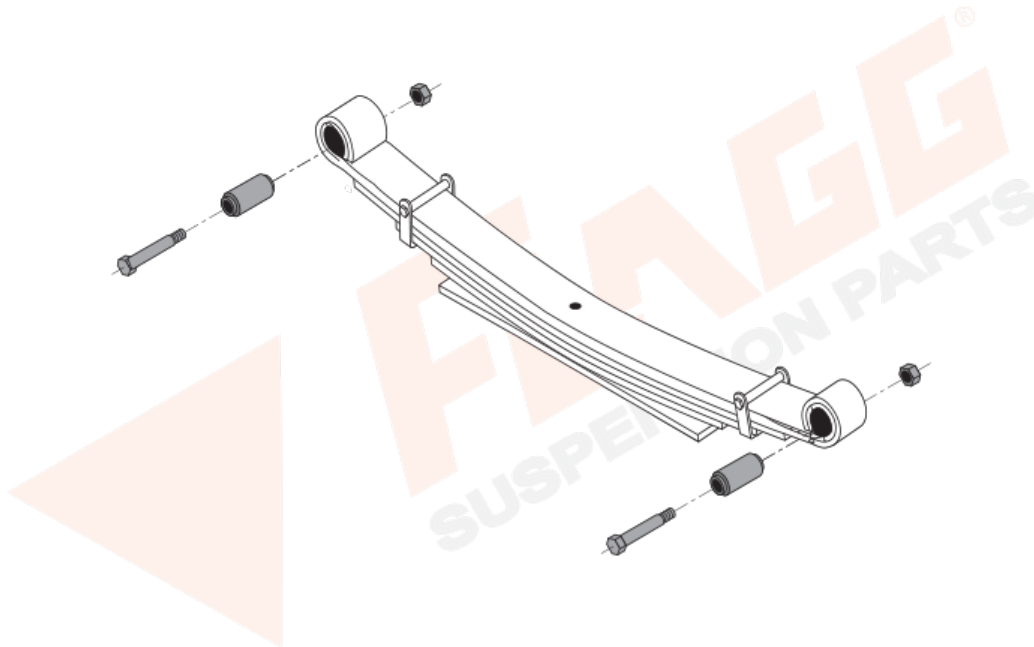
NISSAN XTERRA



Spr.#	Descr.	B. Year	E. Year	Bush. S.E.	Bush. L.E.
69-267	60mm, 3/1	2000	2004	RB252 rev	RB201 ber
69-273	60mm, 2/1	2000	2004	RB252 rev	RB201 ber
69-257	60mm, 3/1	2000	2004	RB252 rev	RB201 ber
69-275	60mm, 2/1	2000	2004	RB252 rev	RB201 ber
69-291	60mm, 3/1, 2WD	2005	2013	RB303 ber	MS60-4033 ber
69-293	60mm, 3/1, 4WD	2005	2013	RB303 ber	MS60-4033 ber

Toyota, Tacoma 2WD & 4WD, 1998 - 2011, Rear, Light Duty Suspension

TOYOTA TACOMA, 2WD & 4WD, REAR 1998 - 2011

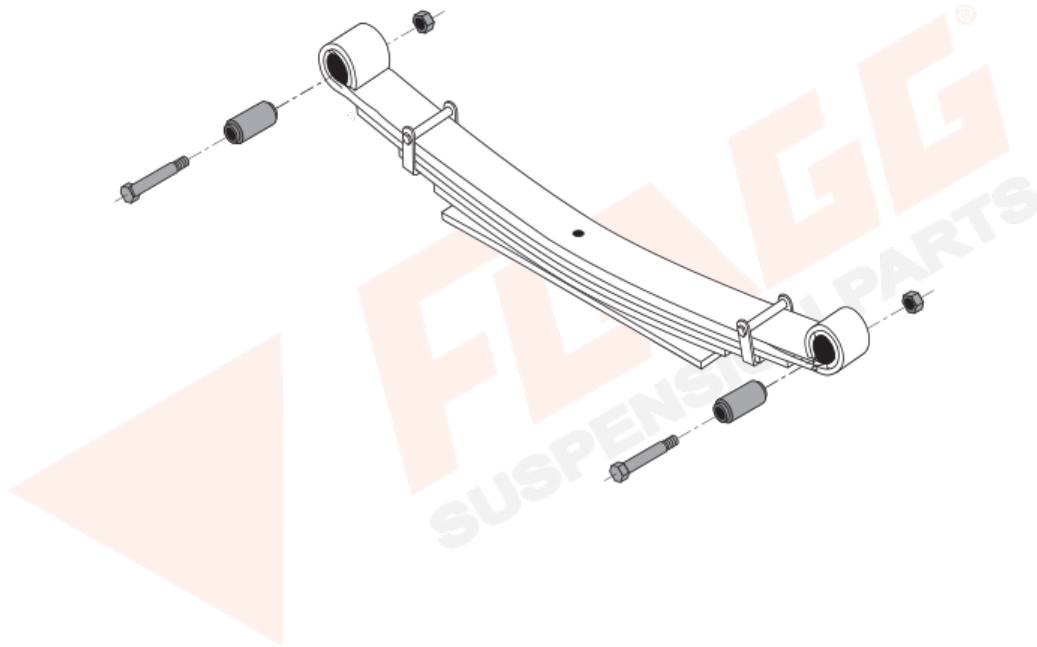


Spr. #	Descr.	B. Year	E. Year	Curbside/ Streetside	Bush. S.E.	Bush. L.E.	Bolt S.E.	Bolt L.E.	Nut S.E.	Nut L.E.	Shackle
90-297	60mm - 2/1	2005	2014	Curbside	RB192	(2) RB260	N/A	N/A	N/A	N/A	N/A
90-299	60mm - 2/1	2005	2014	Streetside	RB192	(2) RB260	N/A	N/A	N/A	N/A	N/A
90-293	60mm - 2/1	2005	2011	Curbside	RB192	(2) RB260	N/A	N/A	N/A	N/A	N/A
90-295	60mm - 2/1	2005	2011	Streetside	RB192	(2) RB260	N/A	N/A	N/A	N/A	N/A
90-275	60mm - 3/1	2001	2004	Curbside	RB192	(2) RB260	N/A	N/A	N/A	N/A	N/A
90-277	60mm - 3/1	2001	2004	Streetside	RB192	(2) RB260	N/A	N/A	N/A	N/A	N/A
90-235	60mm - 3/1	2001	2004	Curbside	RB192	(2) RB260	N/A	N/A	N/A	N/A	N/A
90-237	60mm - 3/1	2001	2004	Streetside	RB192	(2) RB260	N/A	N/A	N/A	N/A	N/A
90-255	60mm - 3/1	2001	2004	Curbside	RB192	(2) RB260	N/A	N/A	N/A	N/A	N/A
90-257	60mm - 3/1	2001	2004	Streetside	RB192	(2) RB260	N/A	N/A	N/A	N/A	N/A
90-197	60mm - 3/1	1998	2000	Curbside	RB192	RB192	N/A	N/A	N/A	N/A	N/A
90-199	60mm - 3/1	1998	2000	Streetside	RB192	RB192	N/A	N/A	N/A	N/A	N/A
90-201	60mm - 3/1	1998	2000	Curbside	RB192	RB192	N/A	N/A	N/A	N/A	N/A
90-203	60mm - 3/1	1998	2000	Streetside	RB192	RB192	N/A	N/A	N/A	N/A	N/A
90-171	60mm - 3/1	1997	1997	Curbside	RB192	RB192	N/A	N/A	N/A	N/A	N/A
90-173	60mm - 3/1	1997	1997	Streetside	RB192	RB192	N/A	N/A	N/A	N/A	N/A
90-297HD	60mm - 3/1	2005	2014	Curbside	RB192	(2) RB260	N/A	N/A	N/A	N/A	N/A
90-477	60mm - 3/1	2012	2014								
90-179	60mm - 3/1	2012	2014								

© 2019 Triangle Suspension Systems Inc.

Toyota, Tundra 2WD & 4WD, 2000 - 2015, Rear, Light Duty Suspension

TOYOTA TUNDRA 2WD & 4WD, REAR 2000 - 2015



Spr. #	Descr.	B. Year	E. Year	Curbside/ Streetside	Bush. S.E.	Bush. L.E.	Bolt S.E.	Bolt L.E.	Nut S.E.	Nut L.E.	Shackle
90-241	60mm - 3/1	2004	2006	Curbside	(2) RB260	(2) RB260	N/A	N/A	N/A	N/A	N/A
90-247	60mm - 3/1	2004	2006	Streetside	(2) RB260	(2) RB260	N/A	N/A	N/A	N/A	N/A
90-239	60mm - 3/1	2004	2006	Curbside	(2) RB260	(2) RB260	N/A	N/A	N/A	N/A	N/A
90-245	60mm - 3/1	2004	2006	Streetside	(2) RB260	(2) RB260	N/A	N/A	N/A	N/A	N/A
90-221	60mm - 3/1	2000	2006	Curbside	(2) RB260	(2) RB260	N/A	N/A	N/A	N/A	N/A
90-219	60mm - 3/1	2000	2006	Streetside	(2) RB260	(2) RB260	N/A	N/A	N/A	N/A	N/A
90-279	60mm - 3/1	2000	2006	Curbside	(2) RB260	(2) RB260	N/A	N/A	N/A	N/A	N/A
90-281	60mm - 3/1	2000	2006	Streetside	(2) RB260	(2) RB260	N/A	N/A	N/A	N/A	N/A
90-363	60mm - 3/1	2007	2012	Curbside	RB311	RB294	N/A	N/A	N/A	N/A	N/A
90-365	60mm - 3/1	2007	2012	Streetside	RB311	RB294	N/A	N/A	N/A	N/A	N/A
90-363HD	60mm - 4/1	2007	2012	Streetside	RB311	RB294	N/A	N/A	N/A	N/A	N/A

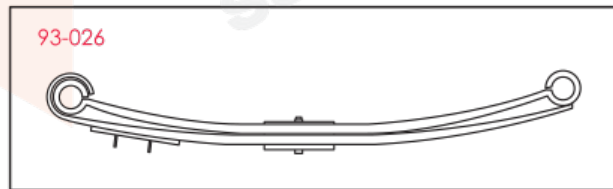
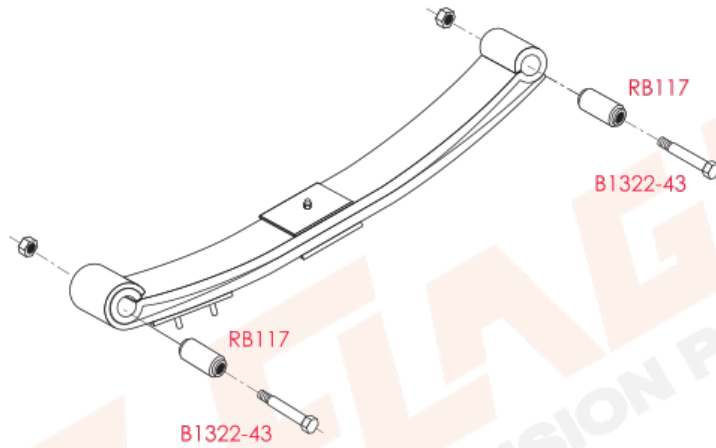
Workhorse, Chassis, Front, Light Duty



WORKHORSE CHASSIS, FRONT

***BOLD RED NUMBERS REFLECT TRIANGLE PART NUMBERS**

**ITALICIZED BLACK NUMBERS REFLECT OEM NUMBERS (USE FOR REFERENCE ONLY)*



Spr. #	Descr.	B. Year	E. Year	Bush S.E.	Bush L.E.	Bolt S.E.	Bolt L.E.	Nut S.E.	Nut L.E.	Shackle	Frame Hanger Front	Frame Hanger Rear
93-026	2.5" - 2 lvs.	N/A	N/A	RB117	RB117	B1322-43	B1322-43	LNC103	LNC103	N/A	N/A	N/A
93-006	2.5" - 2 lvs.	N/A	N/A	RB117	RB117	B1322-43	B1322-43	LNC103	LNC103	N/A	N/A	N/A
93-032	2.5" - 2 lvs.	N/A	N/A	RB117	RB117	B1322-43	B1322-43	LNC103	LNC103	N/A	N/A	N/A

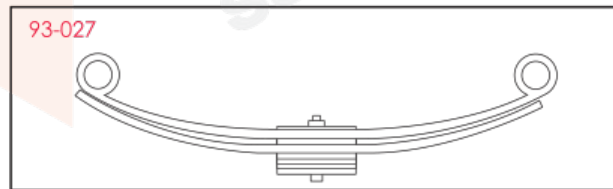
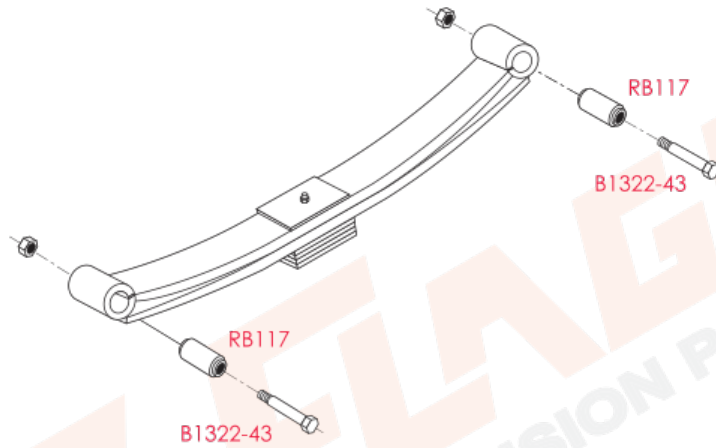
Workhorse, Chassis, Rear, Light Duty



WORKHORSE CHASSIS, REAR

***BOLD RED NUMBERS REFLECT TRIANGLE PART NUMBERS**

**ITALICIZED BLACK NUMBERS REFLECT OEM NUMBERS (USE FOR REFERENCE ONLY)*



Spr. #	Descr.	B. Year	E. Year	Bush S.E.	Bush L.E.	Bolt S.E.	Bolt L.E.	Nut S.E.	Nut L.E.	Shackle	Frame Hanger Front	Frame Hanger Rear
93-027	2.5" - 2/3 pads	N/A	N/A	RB117	RB117	B1322-43	B1322-43	LNC103	LNC103	N/A	N/A	N/A
93-031	2.5" - 3/2 pads	N/A	N/A	RB129	RB129	B1247-22	B1247-22	LNC104	LNC104	N/A	N/A	N/A

Binkley, Duralite 9000 Ultralite 2, Trailer Suspension

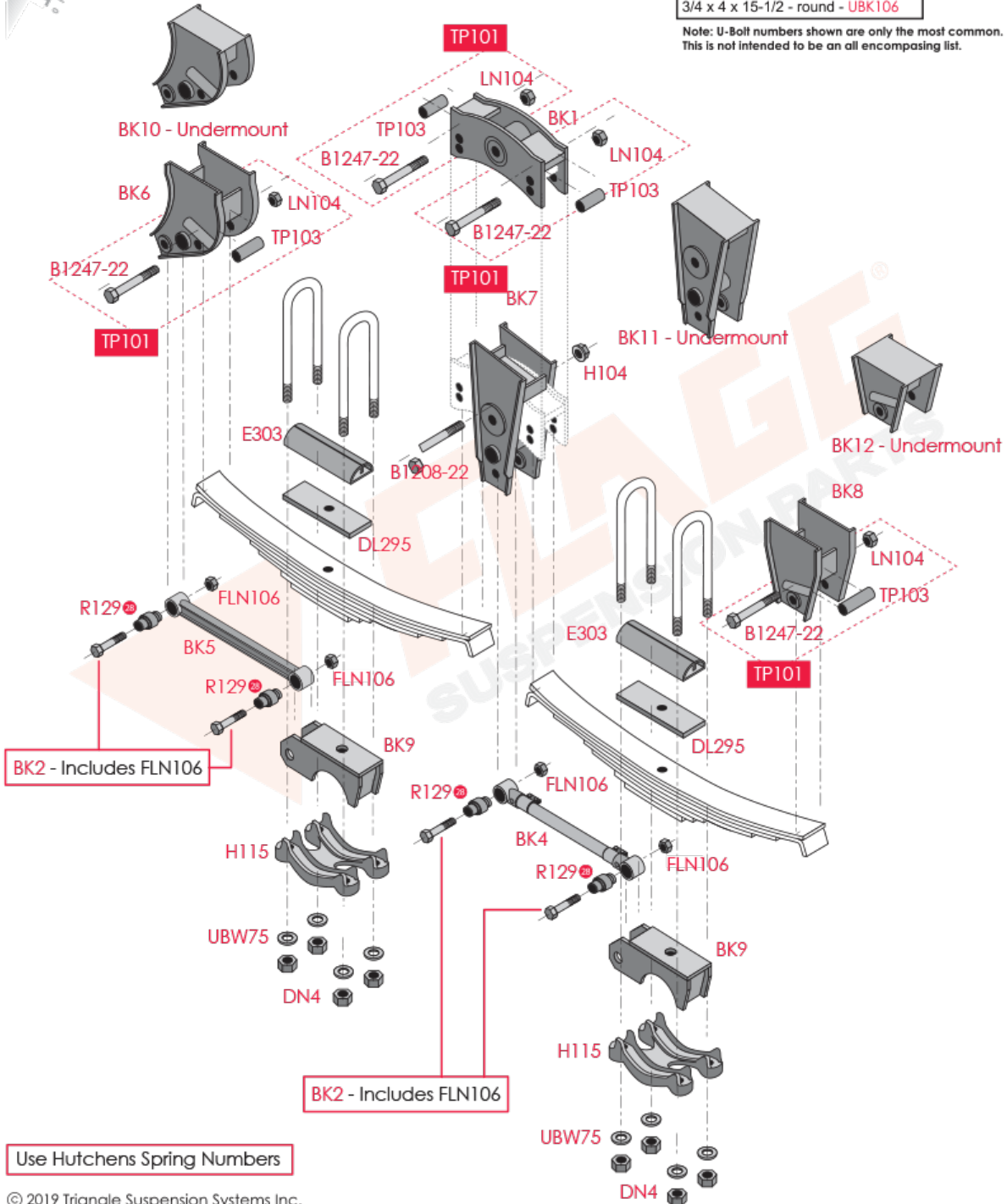


BINKLEY DURALITE 9000 ULTRALITE 2 TRAILER SUSPENSION

Common U-Bolt Options

3/4 x 3 x 10-1/2 - square - UT-4610S
3/4 x 3 x 12-1/2 - square - UT-4613S
3/4 x 3 x 15-1/2 - square - UBK178
3/4 x 3 x 12-1/2 - round - UBK104
3/4 x 4 x 15-1/2 - round - UBK106

Note: U-Bolt numbers shown are only the most common. This is not intended to be an all encompassing list.



Use Hutchens Spring Numbers

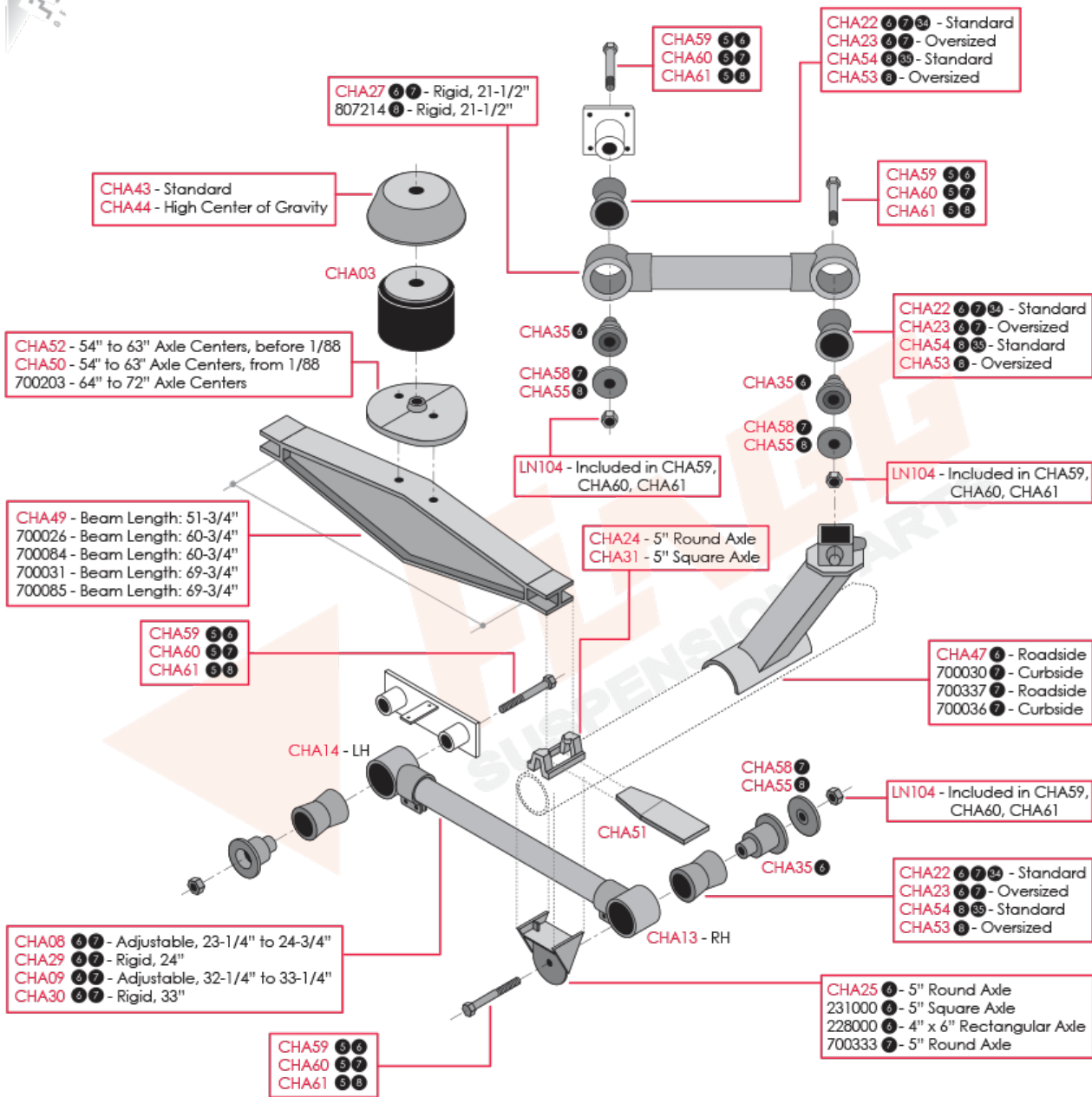
© 2019 Triangle Suspension Systems Inc.

Optional Urethane Bushing, **R129UB**, may be purchased separately.

Chalmers, 700 Series, Trailer Suspension

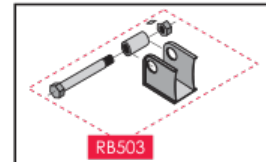


CHALMERS 700 SERIES TRAILER SUSPENSION



- 5 **CHA59, CHA60, CHA61** Includes 4 Bolts and 4 Nuts.
- 6 Joint Connection Type "0"; 40,000 lbs. (Old Style)
- 7 Joint Connection Type "1"; 40,000 lbs. (New Style)
- 8 Joint Connection Type "2"; 46,000 lbs. and up
- 34 For Polyurethane Version, Use (2x) **CHA22UB**.
- 35 For Polyurethane Version, Use (2x) **CHA54UB**.

SHOCK ABSORBER RETROFIT KIT



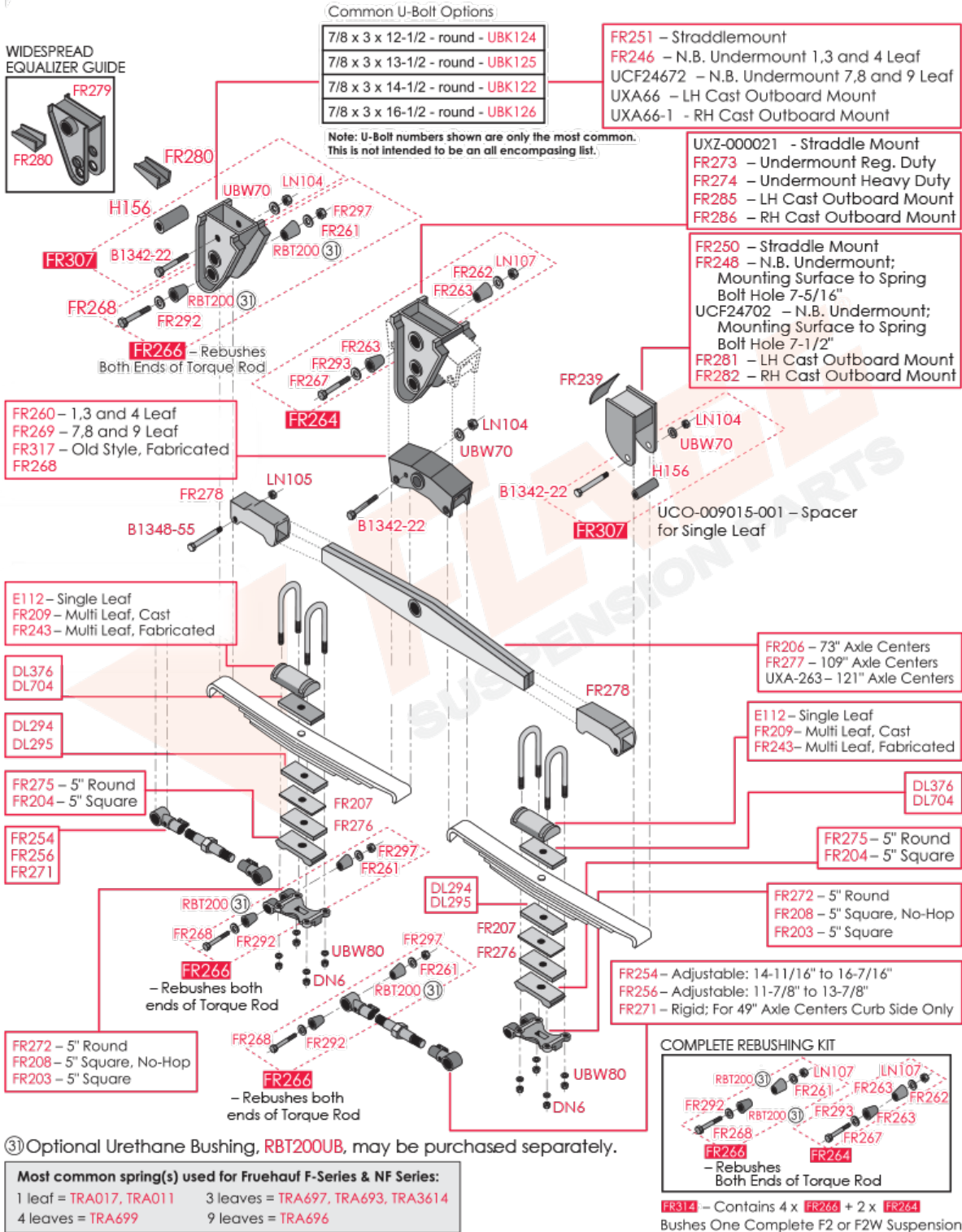
Note: Kit contains 4 times the number of parts shown.

© 2019 Triangle Suspension Systems Inc.

Fruehauf, F-Series, Straddle Mount, Narrow-Base Undermount, Cast Outboard Hangers, Trailer Suspension



FRUEHAUF F-SERIES STRADDLE MOUNT, NARROW-BASE UNDERMOUNT, CAST OUTBOARD HANGERS, TRAILER SUSPENSION

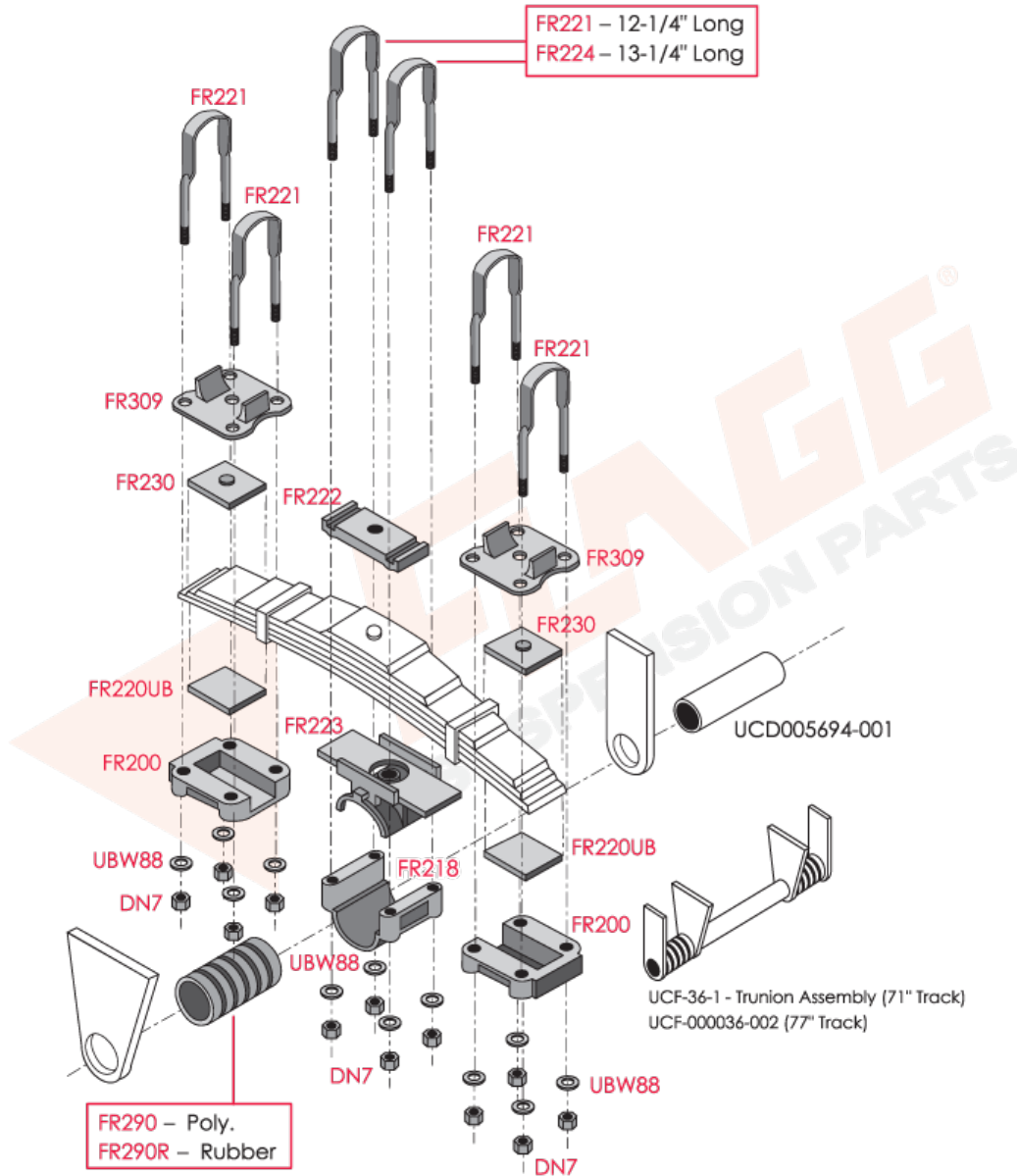


© 2019 Triangle Suspension Systems Inc.

Fruehauf, M2 Series, Trailer Suspension



FRUEHAUF M2 TRAILER SUSPENSION



Most common spring(s) used for Fruehauf M2 Series:
6 leaves = **TRA3606** 7 leaves = **TRA3611**

Note: Spring End Attaching Parts may be used in Overslung Applications.

© 2016 Triangle Suspension Systems Inc.

Common U-Bolt Options

1-1/8 x 5 x 11-1/2 - square
1-1/8 x 5 x 12-1/2 - square - FR221
1-1/8 x 5 x 13-1/2 - square - FR224

Note: U-Bolt numbers shown are only the most common. This is not intended to be an all encompassing list.

Fruehauf, Model F, Wide Base, Undermount Hangers, Trailer Suspension

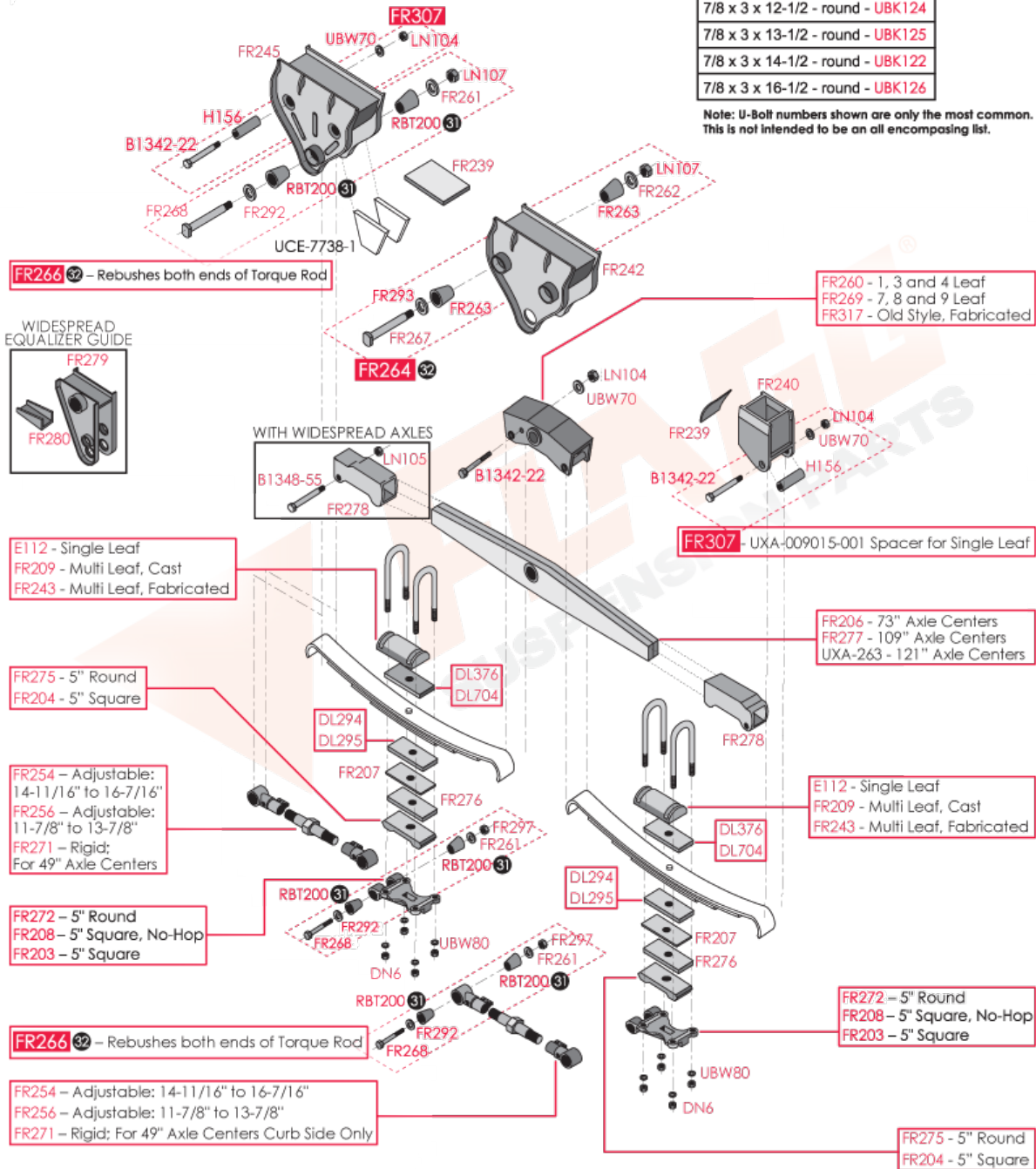


FRUEHAUF F-WIDE BASE WIDE BASE UNDERMOUNT HANGERS TRAILER SUSPENSION

Common U-Bolt Options

7/8 x 3 x 12-1/2 - round - UBK124
7/8 x 3 x 13-1/2 - round - UBK125
7/8 x 3 x 14-1/2 - round - UBK122
7/8 x 3 x 16-1/2 - round - UBK126

Note: U-Bolt numbers shown are only the most common. This is not intended to be an all encompassing list.



Optional Urethane Bushing, RBT200UB, may be purchased separately.

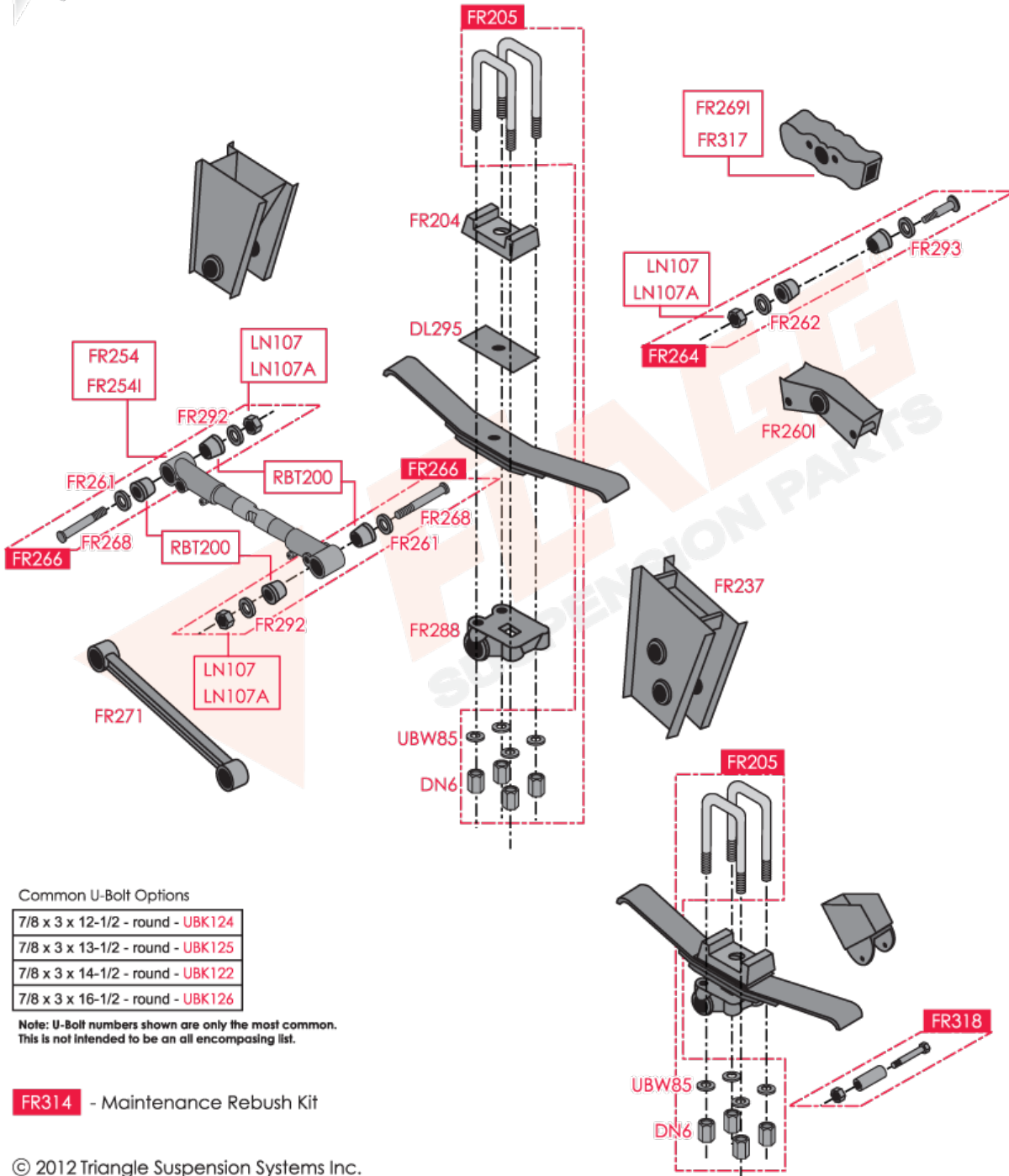
Included in FR314; Bushes ONE Complete Suspension.

© 2014 Triangle Suspension Systems Inc.

Fruehauf, Model J, Trailer Suspension



FRUEHAUF J SERIES TRAILER SUSPENSION



Fruehauf, Model NF2, Trailer Suspension



FRUEHAUF NF2 TRAILER SUSPENSION

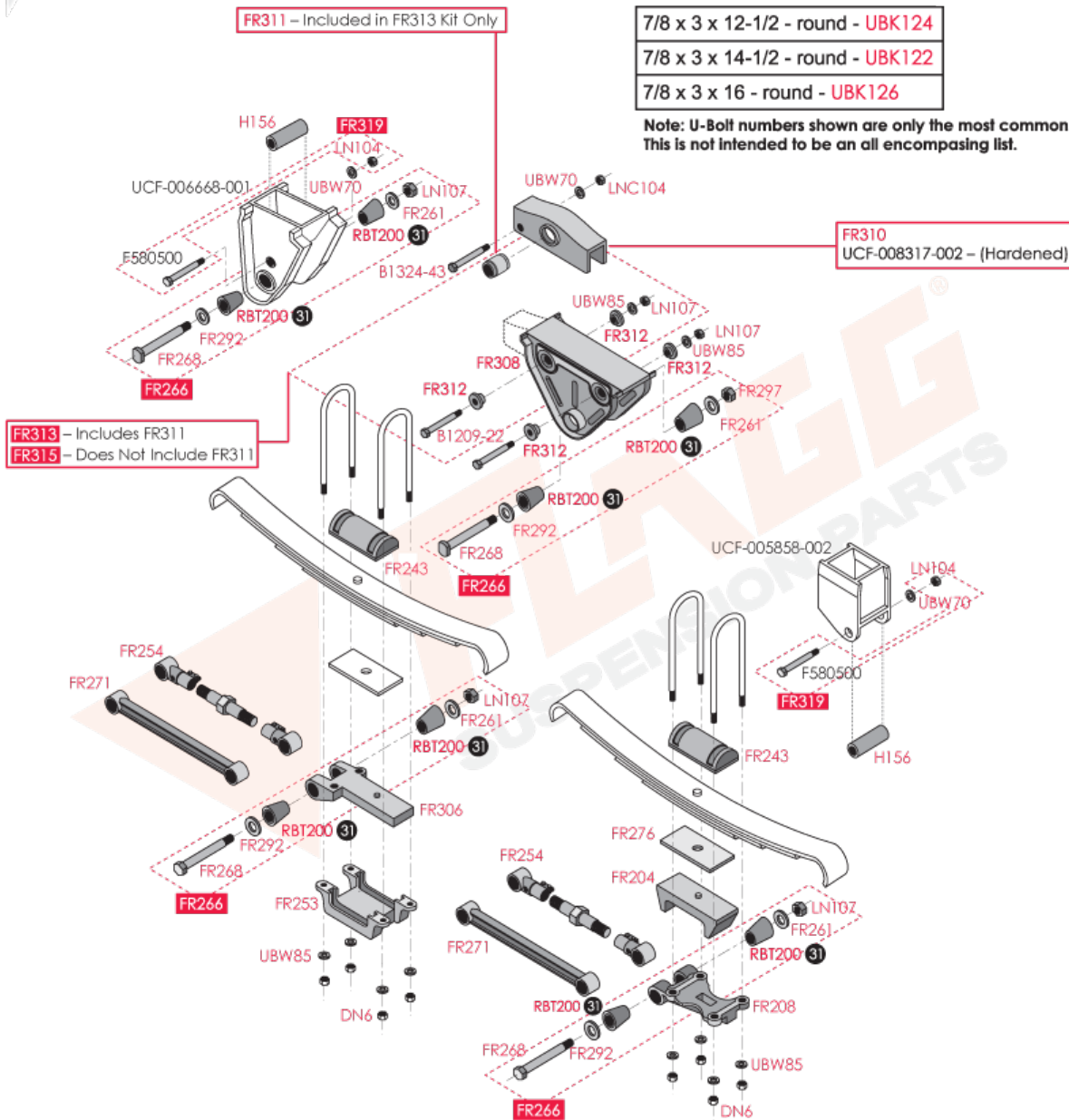
Common U-Bolt Options

7/8 x 3 x 12-1/2 - round - **UBK124**

7/8 x 3 x 14-1/2 - round - **UBK122**

7/8 x 3 x 16 - round - **UBK126**

Note: U-Bolt numbers shown are only the most common. This is not intended to be an all encompassing list.



Most common spring(s) used for Fruehauf F-Series & NF-Series:
 1 leaf = **TRA017, TRA011** 3 leaves = **TRA697, TRA693, TRA3614**
 4 leaves = **TRA699** 9 leaves = **TRA696**

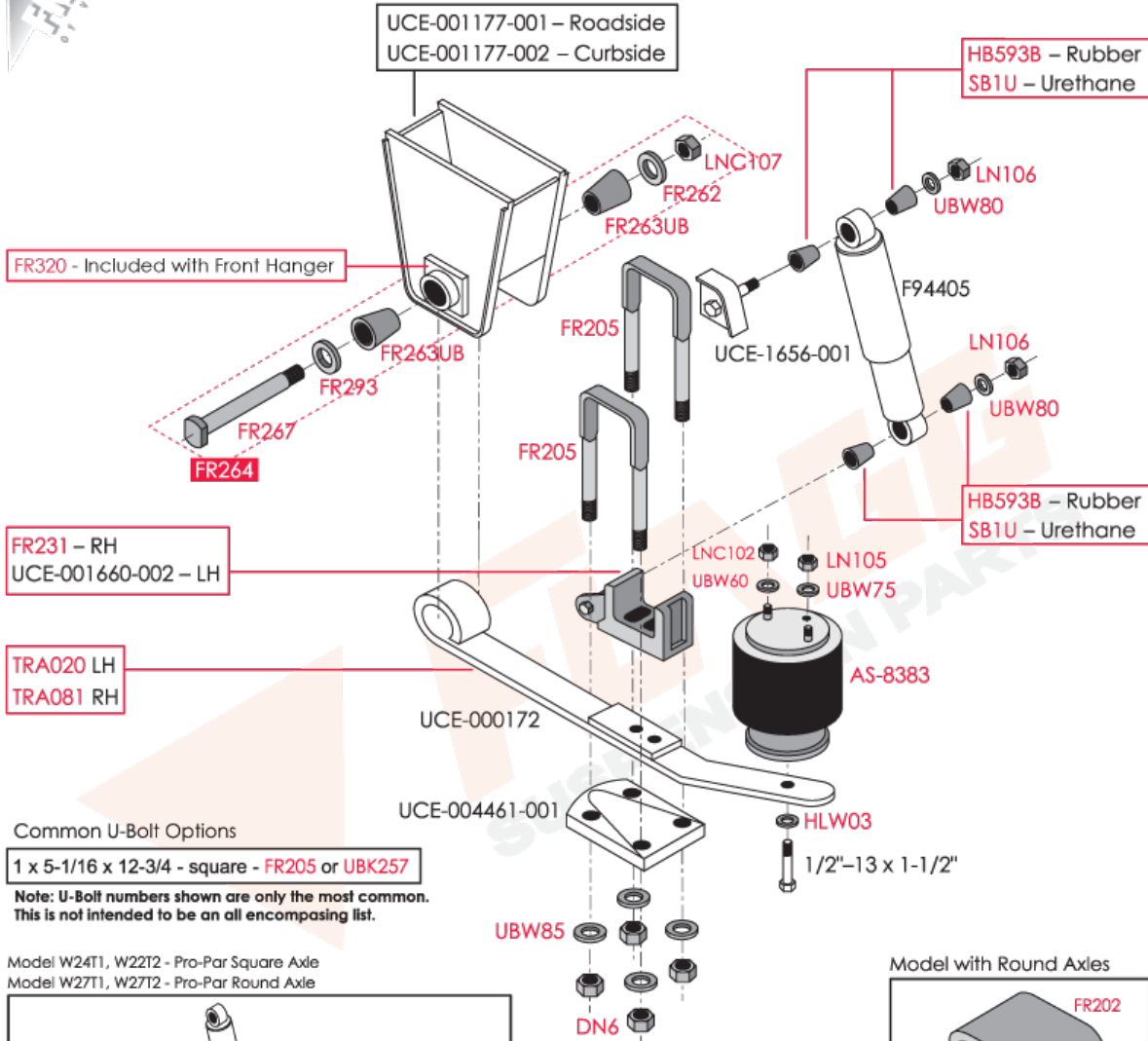
(31) Optional Urethane Bushing, **RBT200UB**, may be purchased separately.

© 2014 Triangle Suspension Systems Inc.

Fruehauf, Model T1, Trailer Suspension



FRUEHAUF T1 TRAILER SUSPENSION

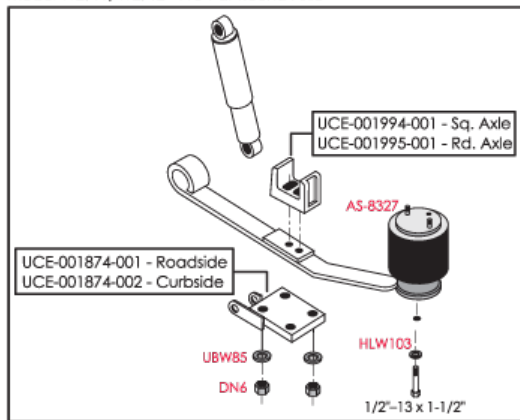


Common U-Bolt Options

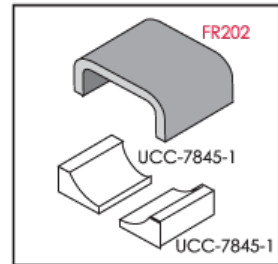
1 x 5-1/16 x 12-3/4 - square - **FR205** or **UBK257**

Note: U-Bolt numbers shown are only the most common. This is not intended to be an all encompassing list.

Model W24T1, W22T2 - Pro-Par Square Axle
Model W27T1, W27T2 - Pro-Par Round Axle



Model with Round Axles



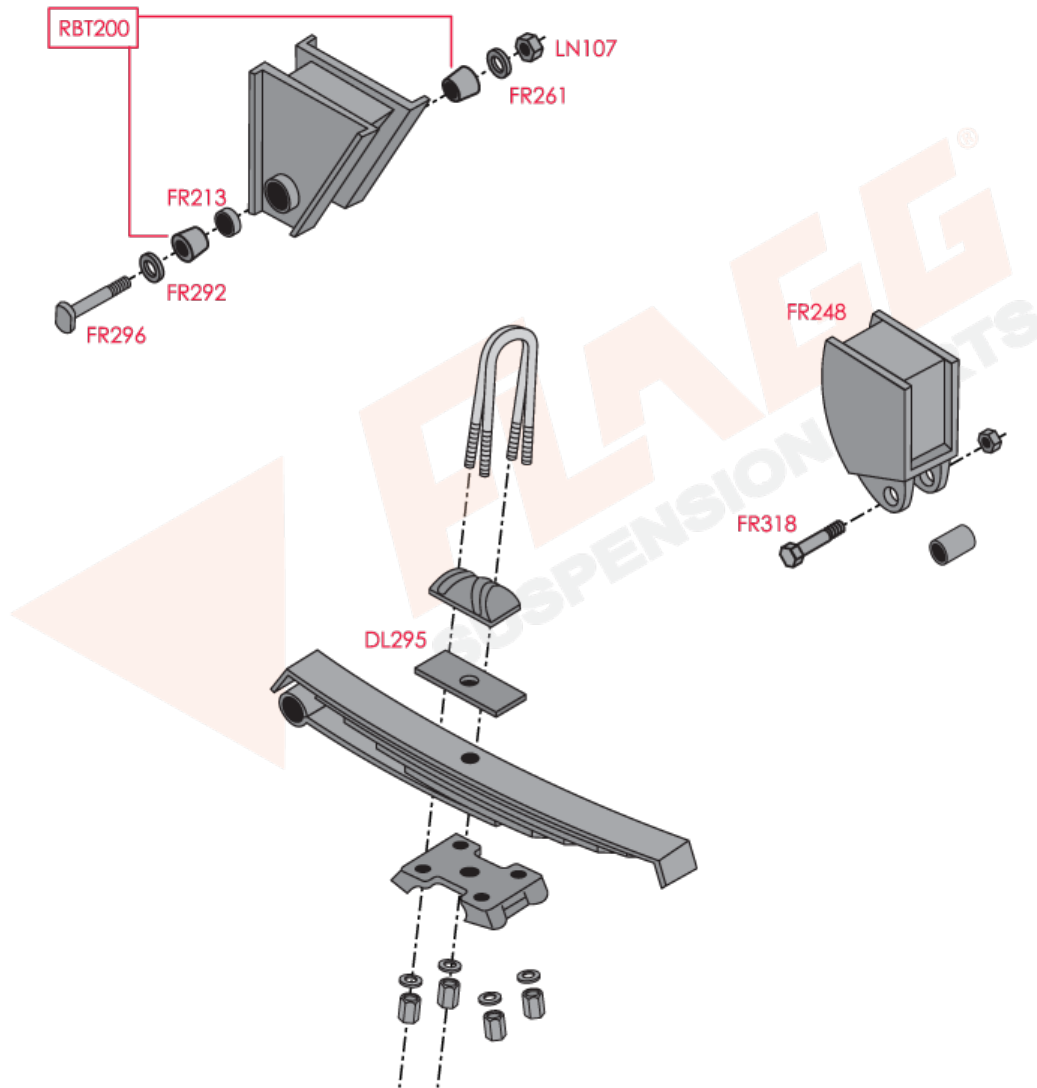
Most common spring(s) used for Fruehauf T Series, Z shape:
1 leaf = **TRA082, TRA086**
Most common spring(s) used for Fruehauf T Series, Hockey Stick:
1 leaf = **TRA020, TRA081**

© 2014 Triangle Suspension Systems Inc.

Fruehauf, Model W, Trailer Suspension



FRUEHAUF W SERIES - TRAILER SUSPENSION



© 2014 Triangle Suspension Systems Inc.

Fruehauf, Models NT2, NT2W, Trailer Suspension



FRUEHAUF NT2, NT2W SERIES - TRAILER SUSPENSION

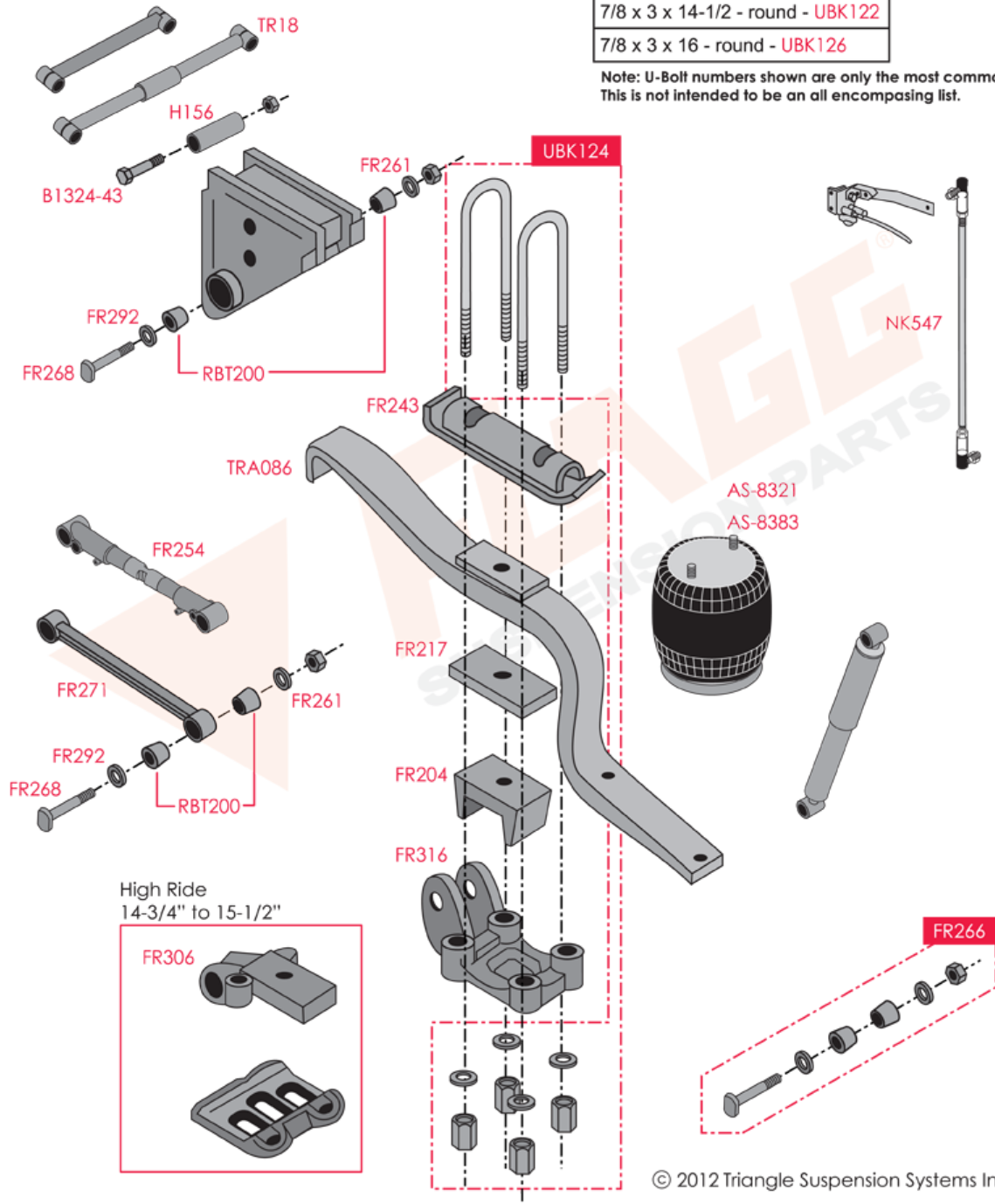
Common U-Bolt Options

7/8 x 3 x 12-1/2 - round - **UBK124**

7/8 x 3 x 14-1/2 - round - **UBK122**

7/8 x 3 x 16 - round - **UBK126**

Note: U-Bolt numbers shown are only the most common. This is not intended to be an all encompassing list.



Suspension Application Guide

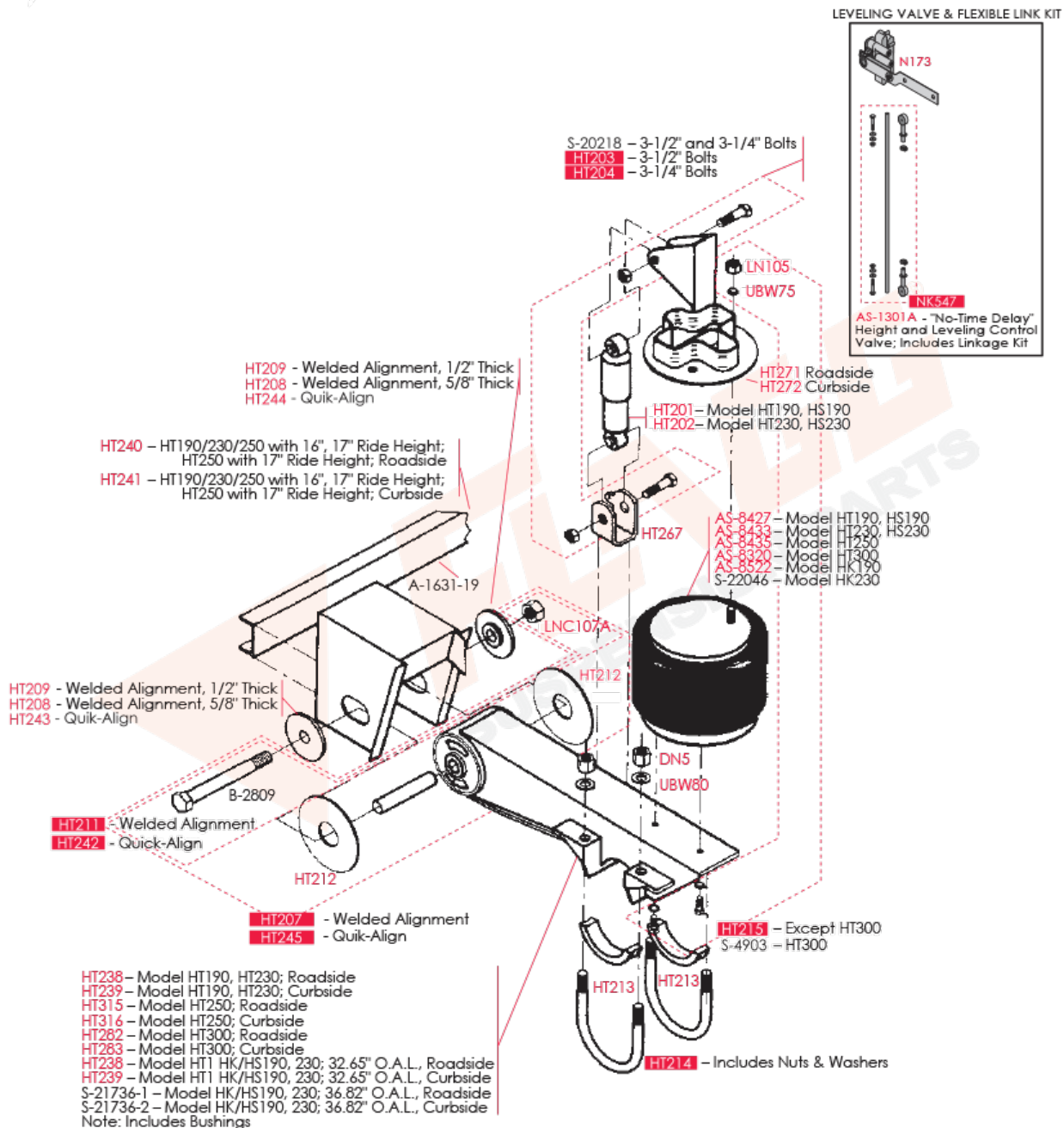
Table of Contents by Vehicle Application Type

~~ Hendrickson Auxiliary Suspension ~~	<i>Page</i>
Hendrickson, HL, RW, Lift Axle Suspension	2
Hendrickson, HLM Lift Suspension, 1992 - 1997, Lift Axle Suspension	3
Hendrickson, HLM2, 2002 - 2014, Lift Axle Suspension	4
Hendrickson, HLN, HLP, HLU, HLU5 Paralift, Lift Axle Suspension	5
Hendrickson, HLQ-LF, HLQ-AH, SR; Q-AH, SR, TRU, Lift Axle Suspension	6
Hendrickson, HLQ-TR, QTR Series, Lift Axle Suspension	7
Hendrickson, HLQ-TRU, Q-TRU Series, Lift Axle Suspension	8
Hendrickson, HLQ-W, Q-W, Lift Axle Suspension	9
Hendrickson, Models HL, HLR-W, Lift Axle Suspension	10
Hendrickson, MT45, MTL45, MTL50, Lift Axle Suspension	11
Hendrickson, ST-004, Lift Axle Suspension	12
Hendrickson, ST-031, Lift Axle Suspension	13

Hendrickson, HT190T, HT230T, HK190T, HK230, HS190T, HS230, Trailer Suspension



HENDRICKSON HT190T, HT230T, HK190T, HK230, HS190T, HS230 TRAILER SUSPENSION



NOTE:
 To Properly Remove/Install the Tri-functional Bushing, use Bushing Tool: HT210.

Hendrickson, HT190U, HT250U, HT250US, HT300U, HT300US, Trailer Suspension



HENDRICKSON HT190U, HT250U, HT250US, HT300U, HT300US TRAILER SUSPENSION

C-20113 – Model HT190U, All Models;
HT250U-7.5-005, Plus All Models with 6.5" Ride Height
HT206 – Model HT250U 7.5-001, Plus All Models with 9", 12", 14" Ride Height;
HT300U, All Models

HT201 – HT190U, All Models
HT202 – HT250U, All Models

HT205 – HT250U, All Models

HT203 – HT190U-6.75-001; HT250U/300U, All Models
S-20218/2 – HT190U, Except -6.75-001
S-24024 – HT250US

S-22894/4 – Model HT250US with Forged Top U-Bolts
S-20306/4 – Model HT190U with Forged Top U-Bolts
HT214 – Model HT190U, HT250US with Standard U-Bolts
S-3650/4 – Model HT250U, HT300U

HT209 – Welded Alignment, 1/2" Thick
HT208 – Welded Alignment, 5/8" Thick
HT244 – Quik-Align

HT211 – Welded Alignment
HT242 – Quik-Align

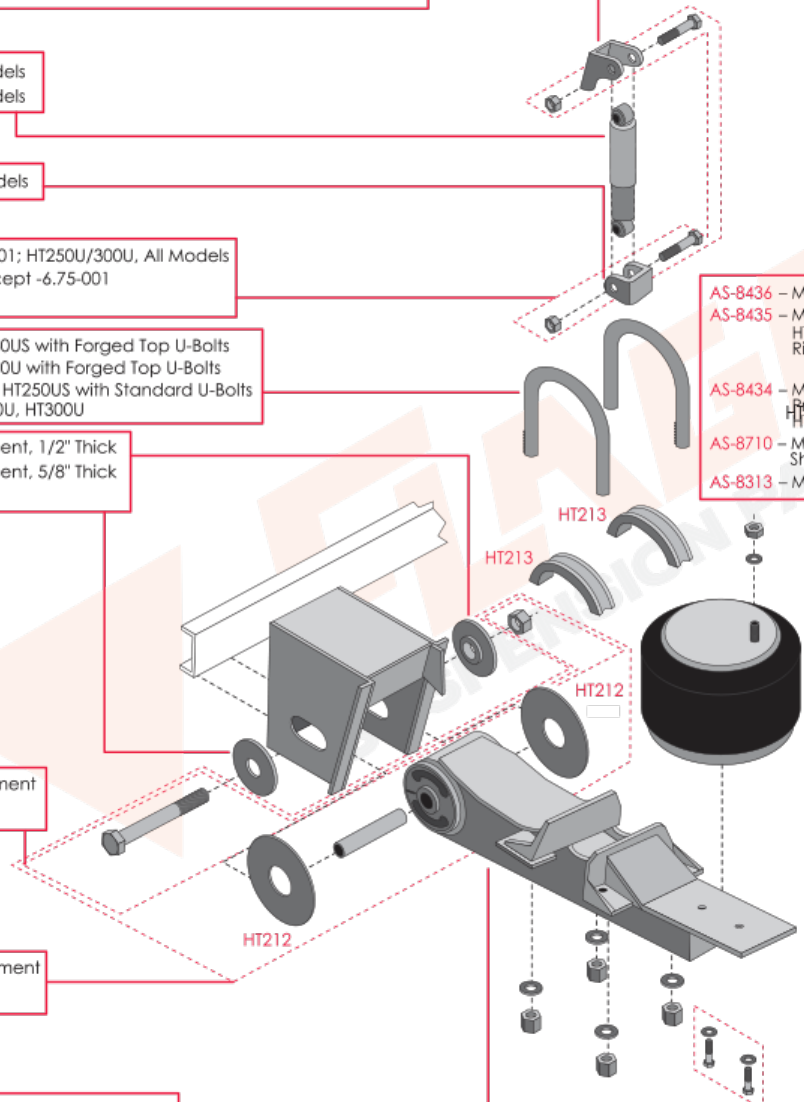
HT207 – Welded Alignment
HT245 – Quik-Align

Roadside
D-20200-1 – Model HT190U, Except 6.75-001
D-20333-1 – Model HT190U, 6.75-001 Only
C-20335-1 – Model HT250U, All Models
C-20252-1 – Model HT300U, All Models
D-24186-1 – Model HT250US, All Models

Curbside
D-20200-2 – Model HT190U, Except 6.75-001
D-20333-2 – Model HT190U, 6.75-001 Only
C-20335-2 – Model HT250U, All Models
C-20252-2 – Model HT300U, All Models
D-24186-2 – Model HT250US, All Models

AS-8436 – Model HT190U
AS-8435 – Model HT250US, High Pressure;
HT230U, All with 6.5", 7.5", 12"
Ride Height; HT250U
-250U-9-001, -002, -003
AS-8434 – Model HT250US, Standard
Pressure; HT250-9-006, -010;
HT250UB9-010
AS-8710 – Model HT250-US, High Pressure -
Short Bellows; HT250U-6.5-002
AS-8313 – Model HT300U

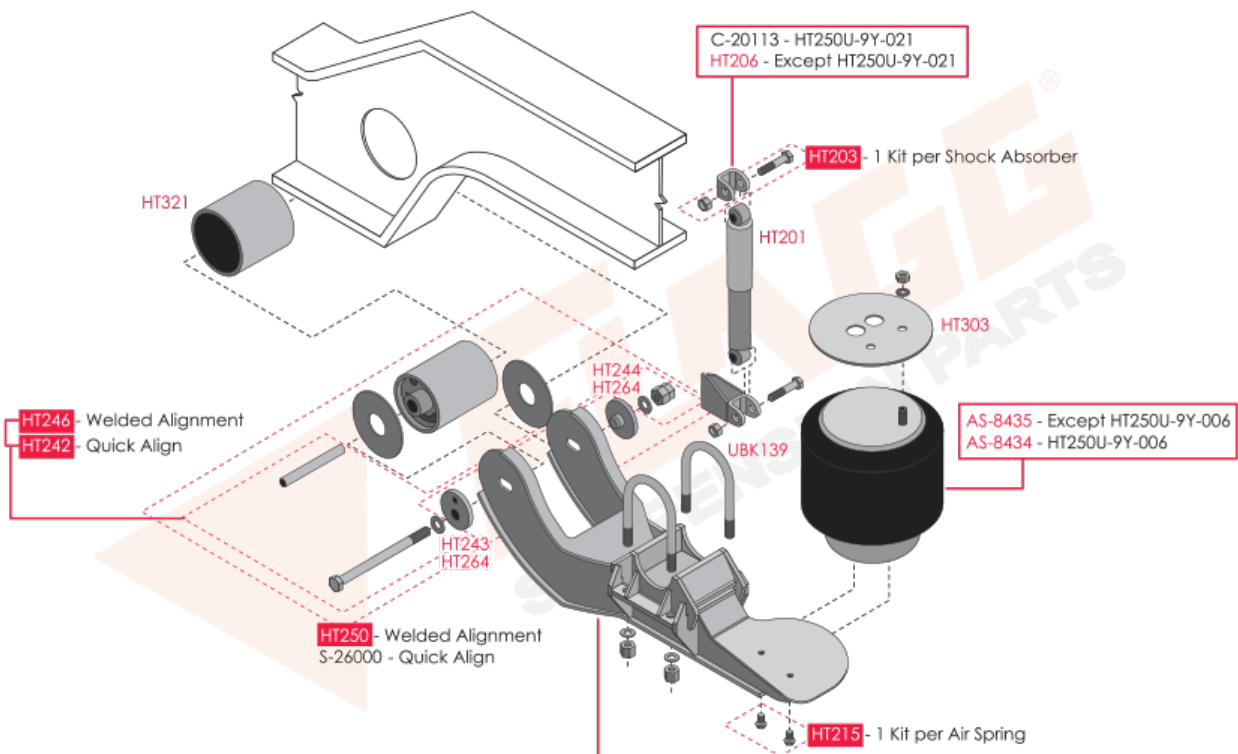
HT215 – HT190U, HT250U, HT250US
S-1981/2 – HT300U with 9", 14", 17" Ride Height
S-20313/2 – HT300U with 12" Ride Height



Hendrickson, HT250U-Y-BEAM, HT250YB, HT300YB, HT250YS, Trailer Suspension



HENDRICKSON HT250U-Y-BEAM, HT250YB, HT300YB, HT250YS TRAILER SUSPENSION



- Roadside**
 - C-20131-1 - Welded Alignment, Except HT250U-9Y-021
 - C-21076-1 - Welded Alignment, HT250U-9Y-021
 - C-22350-1 - Quick Align, Standard
 - C-23365-1 - Quick Align with Shock Straps
- Curbside**
 - C-20131-2 - Welded Alignment, Except HT250U-9Y-021
 - C-21076-2 - Welded Alignment, HT250U-9Y-021
 - C-22350-2 - Quick Align, Standard
 - C-23365-2 - Quick Align with Shock Straps

NOTE:
To Properly Remove/Install the Tri-functional Bushing, use Bushing Tool: **HT240**.

Hendrickson, INTRAAX AA230L, AA250L, AA300L, AAL23K, 30K, AANLS20K, AANL23K, AAEDL30K ,AAZL23K, 46K, HKAL40K, HKAQL40K, HKANL23K, Trailer Suspension



HENDRICKSON

INTRAAX AA230L, AA250L, AA300L, AAL23K, 30K, AANLS20K, AANL23K, AAEDL30K, AAZL23K, 46K, HKAL40K, HKAQL40K, HKANL23K, TRAILER SUSPENSION

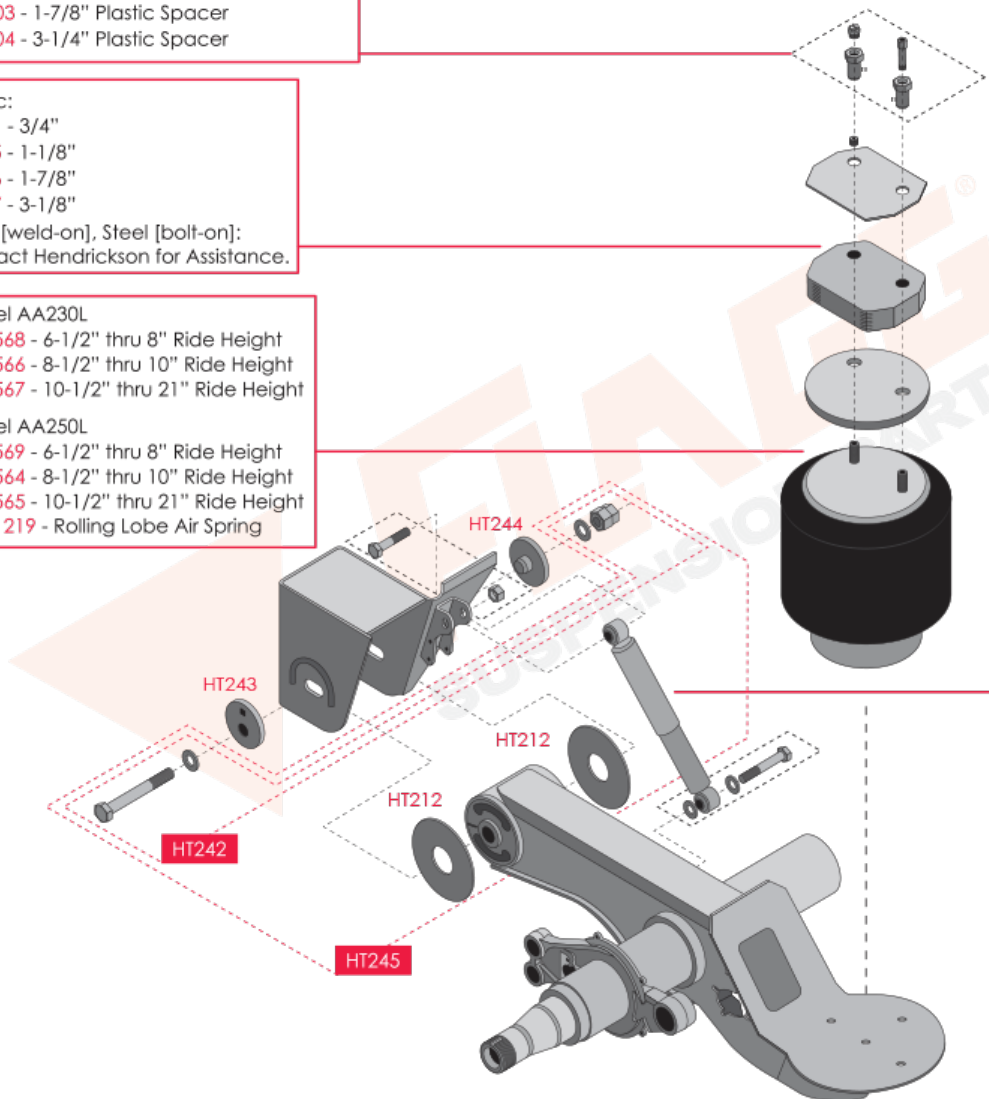
***BOLD RED NUMBERS REFLECT TRIANGLE PART NUMBERS**

**ITALICIZED BLACK NUMBERS REFLECT OEM NUMBERS (USE FOR REFERENCE ONLY)*

HT265 - w/o Spacer + All with Steel Spacer
 HT304 - 3/4" Plastic Spacer
 HT5102 - 1-1/8" Plastic Spacer
 HT5103 - 1-7/8" Plastic Spacer
 HT5104 - 3-1/4" Plastic Spacer

Plastic:
 HT341 - 3/4"
 HT255 - 1-1/8"
 HT256 - 1-7/8"
 HT257 - 3-1/8"
 Steel [weld-on], Steel [bolt-on]:
 Contact Hendrickson for Assistance.

Model AA230L
 AS-8568 - 6-1/2" thru 8" Ride Height
 AS-8566 - 8-1/2" thru 10" Ride Height
 AS-8567 - 10-1/2" thru 21" Ride Height
 Model AA250L
 AS-8569 - 6-1/2" thru 8" Ride Height
 AS-8564 - 8-1/2" thru 10" Ride Height
 AS-8565 - 10-1/2" thru 21" Ride Height
 AS-81219 - Rolling Lobe Air Spring



F66627 - Std. Duty 6-1/2 - 8"
 F65416 - Std. Duty 10-1/2 - 15"
 F65433 - Ext. Duty 15-1/2 - 21"

Hendrickson, INTRAAX AA23T, AA25T, AANT23K, AAEDT30K, Trailer Suspension

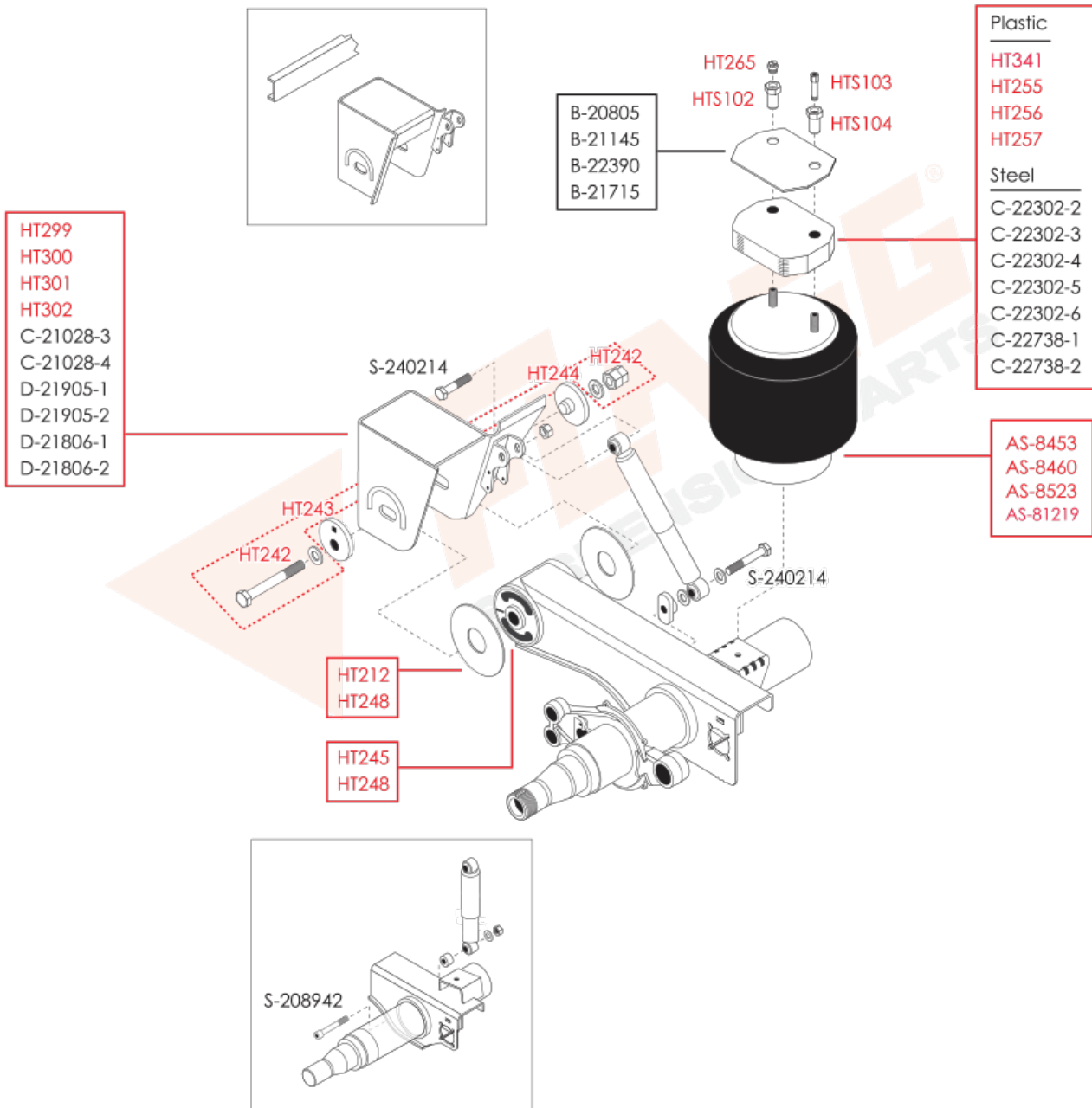


HENDRICKSON

INTRAAX AA23T, AA25T, AANT23K, AAEDT30K
TRAILER SUSPENSION

***BOLD RED NUMBERS REFLECT TRIANGLE PART NUMBERS**

**ITALICIZED BLACK NUMBERS REFLECT OEM NUMBERS (USE FOR REFERENCE ONLY)*



© 2019 Triangle Suspension Systems Inc.

Hendrickson, T-Series, Top Mount, Trailer Suspension

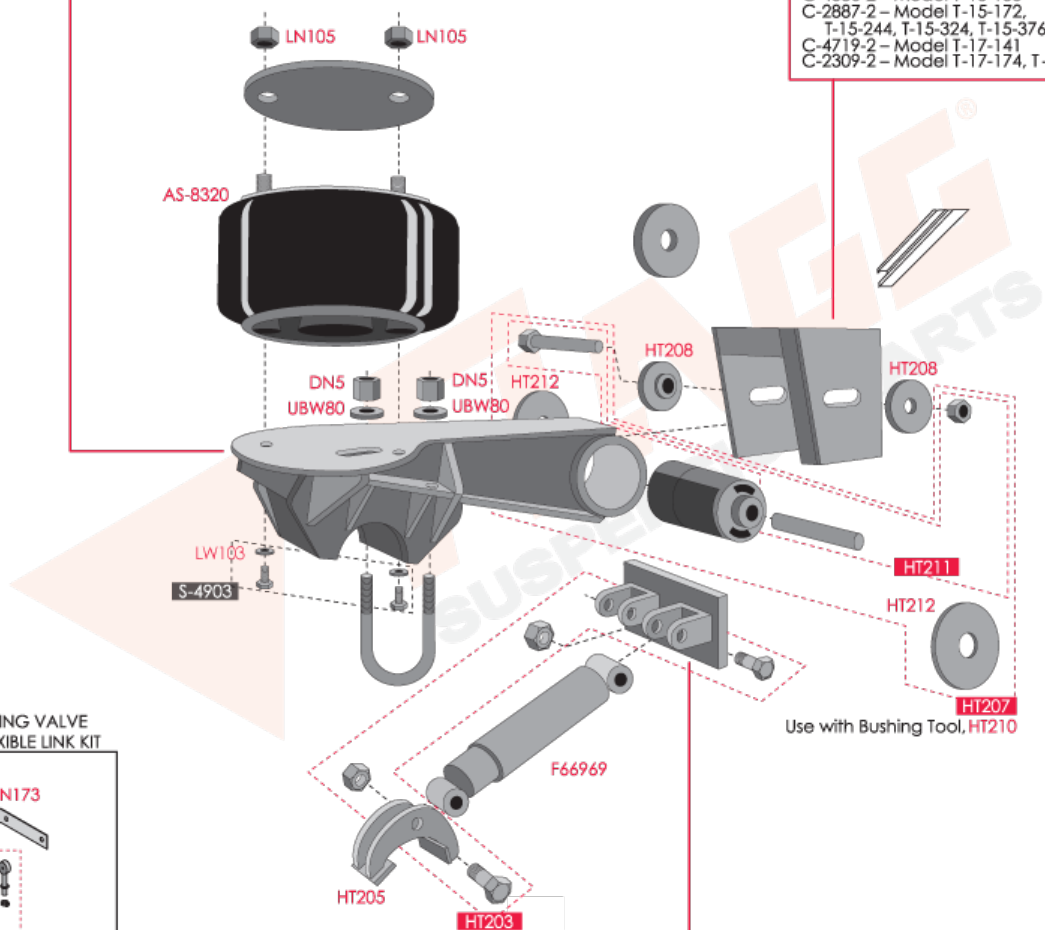


HENDRICKSON T-SERIES, TOP MOUNT TRAILER SUSPENSION

HT269
HT270
B-3647-1 - LH; Includes Bushing
B-3647-2 - RH; Includes Bushing

Roadside
C-4720-1 - Model T-15-140
C-4386-1 - Model T-15-155
C-2887-1 - Model T-15-172,
T-15-244, T-15-324, T-15-376
C-4719-1 - Model T-17-141
C-2309-1 - Model T-17-174, T-17-284

Curbside
C-4720-2 - Model T-15-140
C-4386-2 - Model T-15-155
C-2887-2 - Model T-15-172,
T-15-244, T-15-324, T-15-376
C-4719-2 - Model T-17-141
C-2309-2 - Model T-17-174, T-17-284



LEVELING VALVE & FLEXIBLE LINK KIT
N173
NK547
- "No Time Delay"
Height and Leveling
Control Valve;
Includes Linkage Kit.

B-2725 - Model T-15-140, T-15-155, T-15-172, T-15-376
T17-141, T-17-174
B-4068 - Model T-15-244
HT206 - Model T-15-324
A-5431 - Model T-17-284

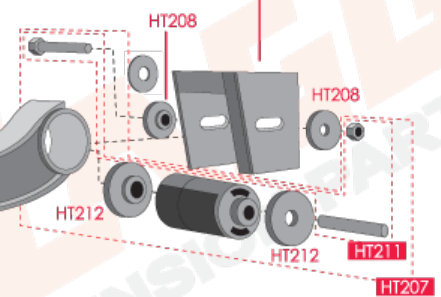
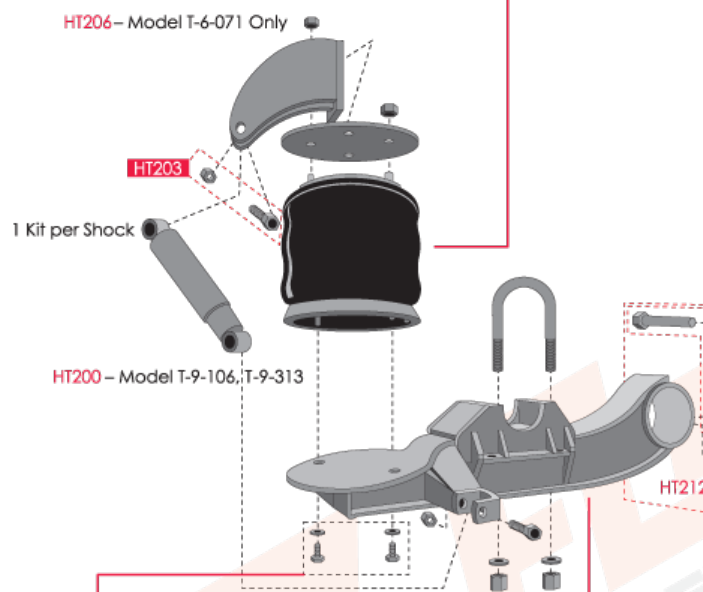
Hendrickson, T-Series, Underslung, Trailer Suspension



HENDRICKSON T-SERIES, UNDERSLUNG TRAILER SUSPENSION

- AS-4371 - Model T-9-325, T-9-390
- AS-8310 - Model T-9-106, T-9-313
- AS-8311 - Model T-6-062, T-6-295, T-6-370, T-6-422
- AS-8317 - Model T-23-US-9-011
- AS-8318 - Model T-9-1151
- AS-8319 - Model T-9-071
- AS-8345 - Model T-4-392

- Roadside
- C-2309-1 - Model T-6-295
 - C-2870-1 - Model T-9-084, T-9-106, T-9-175, T-9-313
 - C-2887-1 - Model T-6-071
 - C-3176-1 - Model T-4-392, T-6-062
 - C-8795-1 - Model T-6-422, T-9-325, T-9-390, T-23-US-9011
 - C-11489-1 - Model T-6-370
- Curbside
- C-2309-2 - Model T-6-295
 - C-2870-2 - Model T-9-084, T-9-106, T-9-175, T-9-313
 - C-2887-2 - Model T-6-071
 - C-3176-2 - Model T-4-392, T-6-062
 - C-8795-2 - Model T-6-422, T-9-325, T-9-390, T-23-US-9011
 - C-11489-2 - Model T-6-370



- S-1981/2 - Model T-4-392, T-6-071, T-9-084, T-9-106, T-9-313, T-9-325, T-9-390, T-23-US-9-011
- A-2348 - Model T-6-062, T-6-295, T-6-422, T-6-370
- A-2378 - Model T-9-175

- Roadside
- C-3663-1 - Model T-6-062, T-6-071
 - C-3691-1 - Model T-9-106, T-9-313
 - C-3828-1 - Model T-9-084
 - C-4224-1 - Model T-9-175
 - B-5208-1 - Model T-6-295
 - C-8796-1 - Model T-9-325
 - B-9909-1 - Model T-4-392
 - B-11084-1 - Model T-6-422, T-23-US-9-011, T-6-370
 - B-11423-1 - Model T-9-930
- Curbside
- C-3663-2 - Model T-6-062, T-6-071
 - C-3691-2 - Model T-9-106, T-9-313
 - C-3828-2 - Model T-9-084
 - C-4224-2 - Model T-9-175
 - B-5208-2 - Model T-6-295
 - C-8796-2 - Model T-9-325
 - B-9909-2 - Model T-4-392
 - B-11084-2 - Model T-6-422, T-23-US-9-011, T-6-370
 - B-11423-2 - Model T-9-930

LEVELING VALVE & FLEXIBLE LINK KIT

N173

NK547

- "No Time Delay" Height and Leveling Control Valve; Includes Linkage Kit.

LOWER SHOCK BRACKET-9-175— Model T

F66886

HT205

HT203

Hendrickson, VANTRAAX, HKA180, HKA200, HKA250, HKANT40K, 46K, 50K, AAZNT23K, 46K, 69K, Trailer Suspension

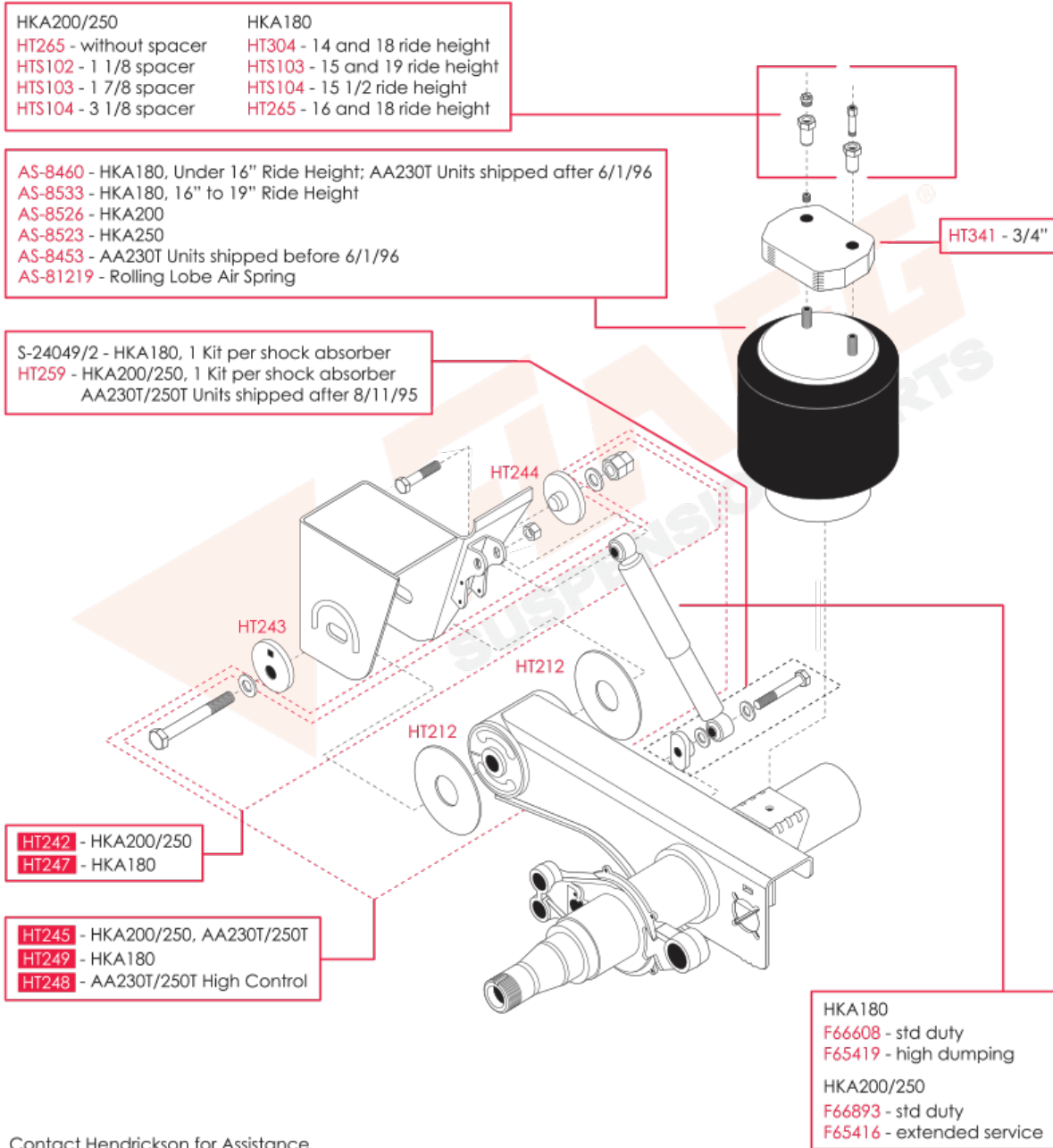


HENDRICKSON

VANTRAAX HKA180, HKA200, HKA250, HKANT40K, 46K, 50K, AAZNT23K, 46K, 69K
TRAILER SUSPENSION

***BOLD RED NUMBERS REFLECT TRIANGLE PART NUMBERS**

**ITALICIZED BLACK NUMBERS REFLECT OEM NUMBERS (USE FOR REFERENCE ONLY)*



Contact Hendrickson for Assistance

NOTE:
To properly remove/install the Tri-functional bushing, use bushing tool HT240.

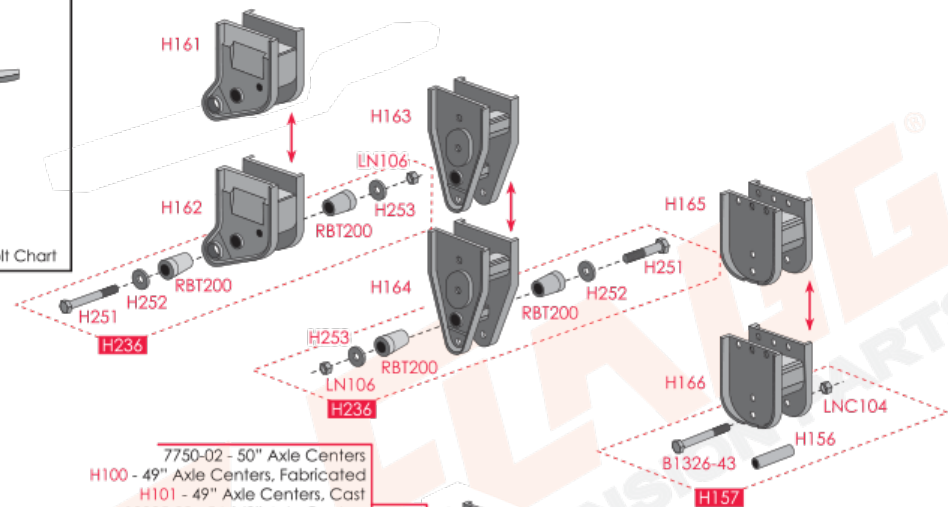
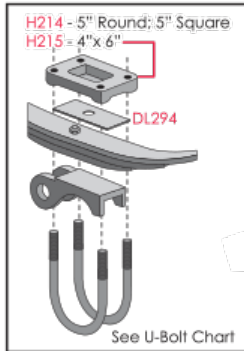
© 2019 Triangle Suspension Systems Inc.

Hutchens, CH7600/CH9600 Series, 42.5" to 54.5" Axle Centers, Trailer Suspension



HUTCHENS H, CH7600/CH9600 SERIES 42-1/2" TO 54-1/2" AXLE CENTERS TRAILER SUSPENSION

7650 SERIES

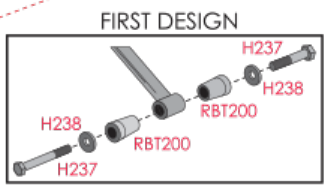


7750-02 - 50" Axle Centers
H100 - 49" Axle Centers, Fabricated
H101 - 49" Axle Centers, Cast
10385-02 - 54-1/2" Axle Centers

H111 - Includes H102
H259 - Does Not Include H102
H217 - Includes 1 x H259 + 2 x H157 Kits

H296 - Adjustable, 61"
H245 - Adjustable, 18" to 20"
H246 - Rigid, 19-1/4"
16167-05 - Adjustable, 19" to 21-1/2"
16167-07 - Adjustable, 20-1/4" to 22-3/4"

H115 - 5" Round, Fabricated
R282 - 5" Round, Cast
H183 - 5" Square
7619-00 - 5" Round, No-Hop
7621-00 - 5" Square, No-Hop

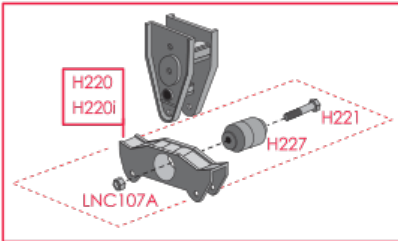


Hutchens, CH7700/CH9700 Series, 42.5" to 54.5" Axle Centers, Trailer Suspension

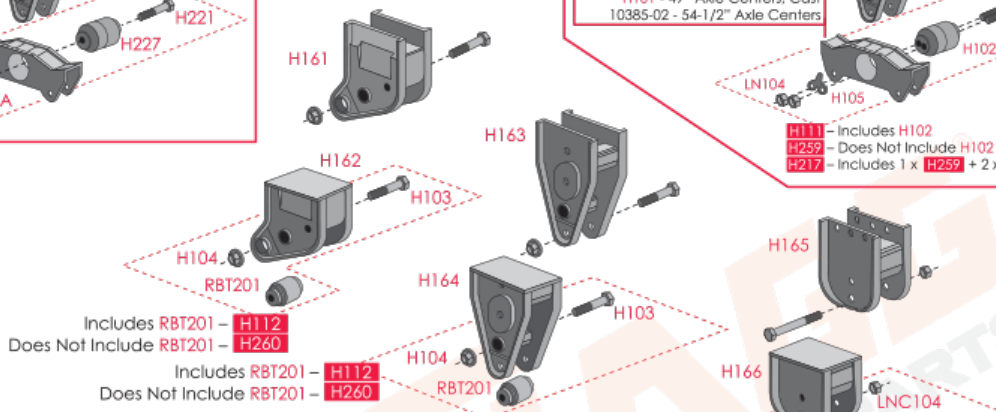
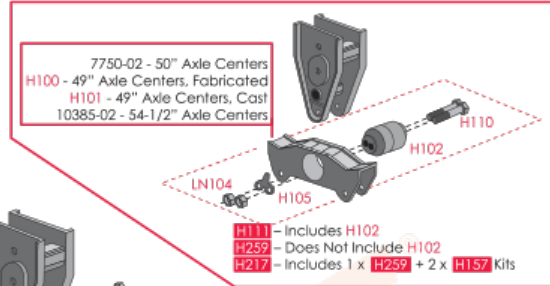


HUTCHENS H, CH7700/CH9700 SERIES 42-1/2" TO 54-1/2" AXLE CENTERS TRAILER SUSPENSION

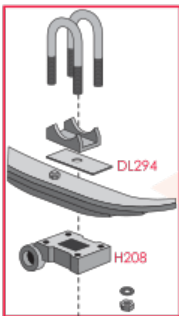
NEW STYLE CENTER HANGER - Single Bolt



OLD STYLE CENTER HANGER - Two Bolt



7700/9700US SERIES

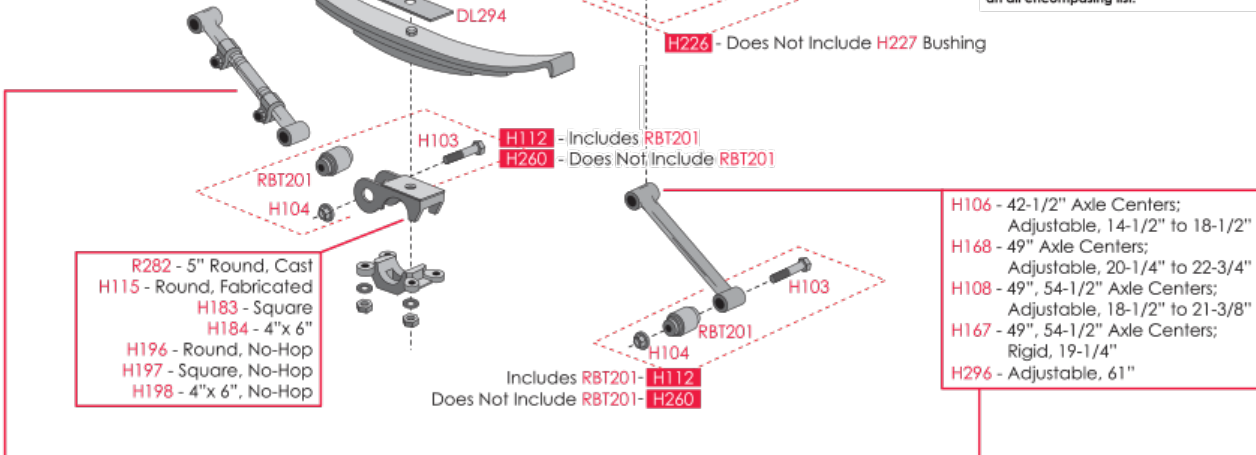


H220 - 42-1/2" to 49" Axle Centers; Fabricated
H225 - 42-1/2" to 49" Axle Centers; Cast
H261 - 44" Axle Centers; Use with Single-Leaf
16159-01 - 44" Axle Centers; Use with Multi-Leaf
17604-01 - 54-1/2" Axle Centers; Fabricated
16160-01 - 54-1/2" Axle Centers; Cast

Common U-Bolt Options

7/8 x 3 x 11-1/2 - round - UBK124
7/8 x 3 x 12-1/2 - round - UBK125
7/8 x 3 x 13-1/2 - round - UBK122
7/8 x 3 x 14-1/2 - round - UBK266
7/8 x 3 x 16-1/2 - round - UBK265
7/8 x 3 x 18-1/2 - round - UBK273

Note: U-Bolt numbers shown are only the most common. This is not intended to be an all encompassing list.

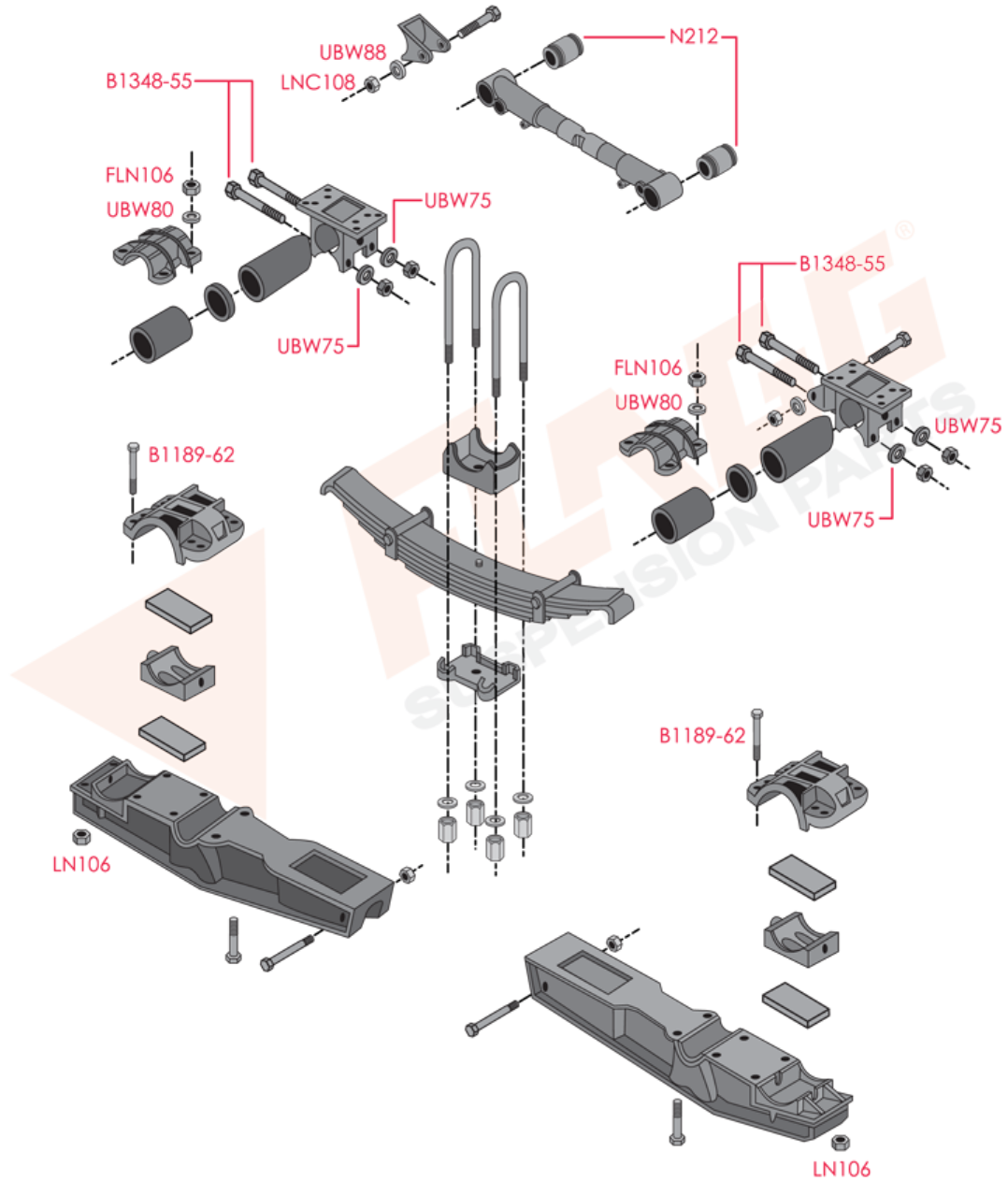


NOTES:
To Properly Install the Torque Rod Bushing (RBT201), Use H243 Installation Tool.
To Properly Install the Equalizer Bushing (H102), Use H242 Installation Tool.

Hutchens, H11455 Tri-Axle, Trailer Suspension



HUTCHENS H11455 TRI-AXLE TRAILER SUSPENSION



Hutchens, H900/H901 Single Point, Trailer Suspension



HUTCHENS H900 & H901 SINGLE POINT (TRAILER) SUSPENSION

***BOLD RED NUMBERS REFLECT TRIANGLE PART NUMBERS**

**ITALICIZED BLACK NUMBERS REFLECT OEM NUMBERS (USE FOR REFERENCE ONLY)*

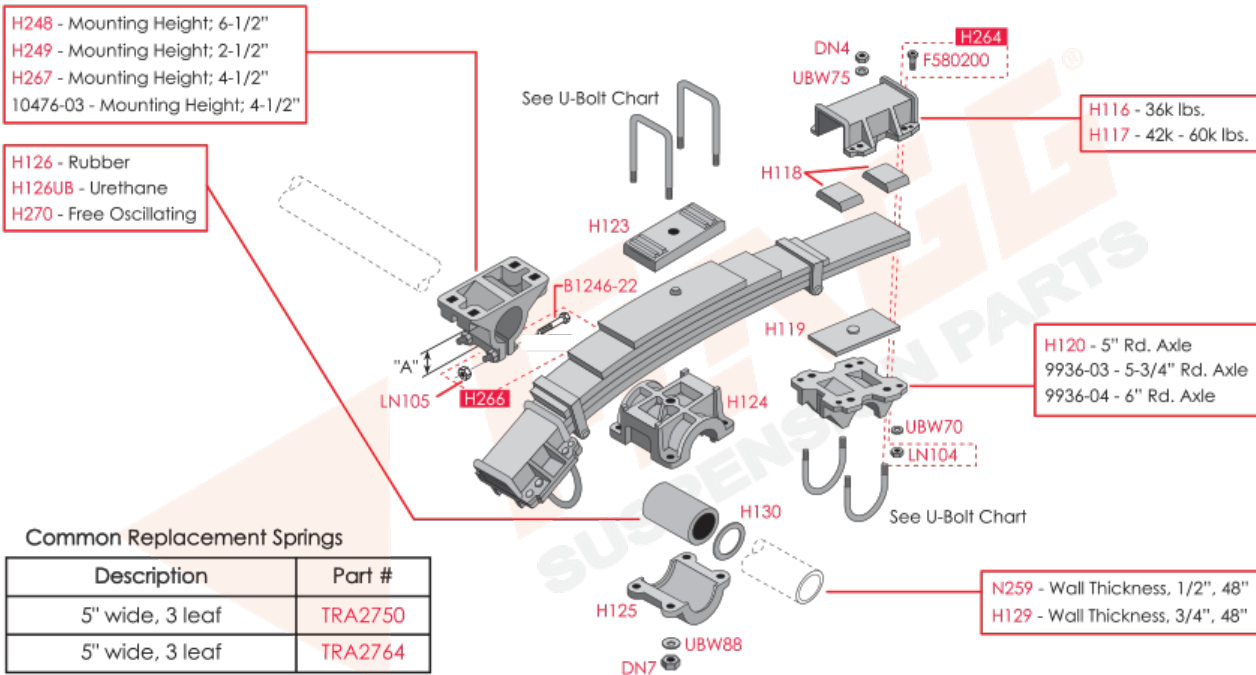
Common U-Bolt Options
Trunnion Connection

1-1/8 x 5-1/8 x 13-1/2 - square - UBK211
1-1/8 x 5-1/8 x 14-1/2 - square - UBK213
1-1/8 x 5-3/4 x 14-1/2 - round - UBK219

Note: U-Bolt numbers shown are only the most common. This is not intended to be an all encompassing list.

Common U-Bolt Options
Axle Connection

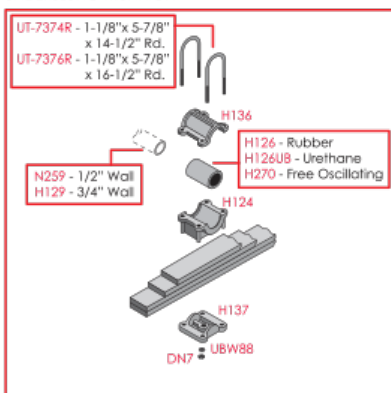
3/4 x 5 x 8 - round - UBK105
1 x 5 x 11 - round - UBK150
1 x 5-3/4 x 12-1/2 - round
1 x 6 x 11-1/2 - round - UBK148
3/4 x 5 x 8 - square - UBK191



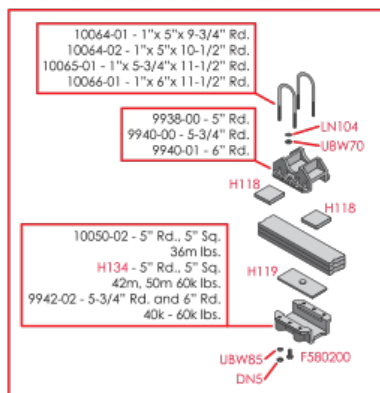
Common Replacement Springs

Description	Part #
5" wide, 3 leaf	TRA2750
5" wide, 3 leaf	TRA2764

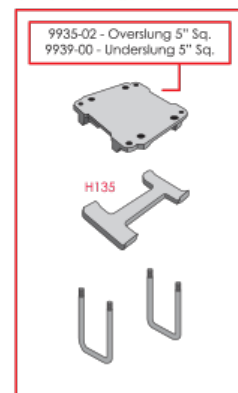
UNDERSLUNG TRUNNION



OPTIONAL UNDERSLUNG ROUND AXLE ASSEMBLY



OPTIONAL 5" SQUARE AXLE



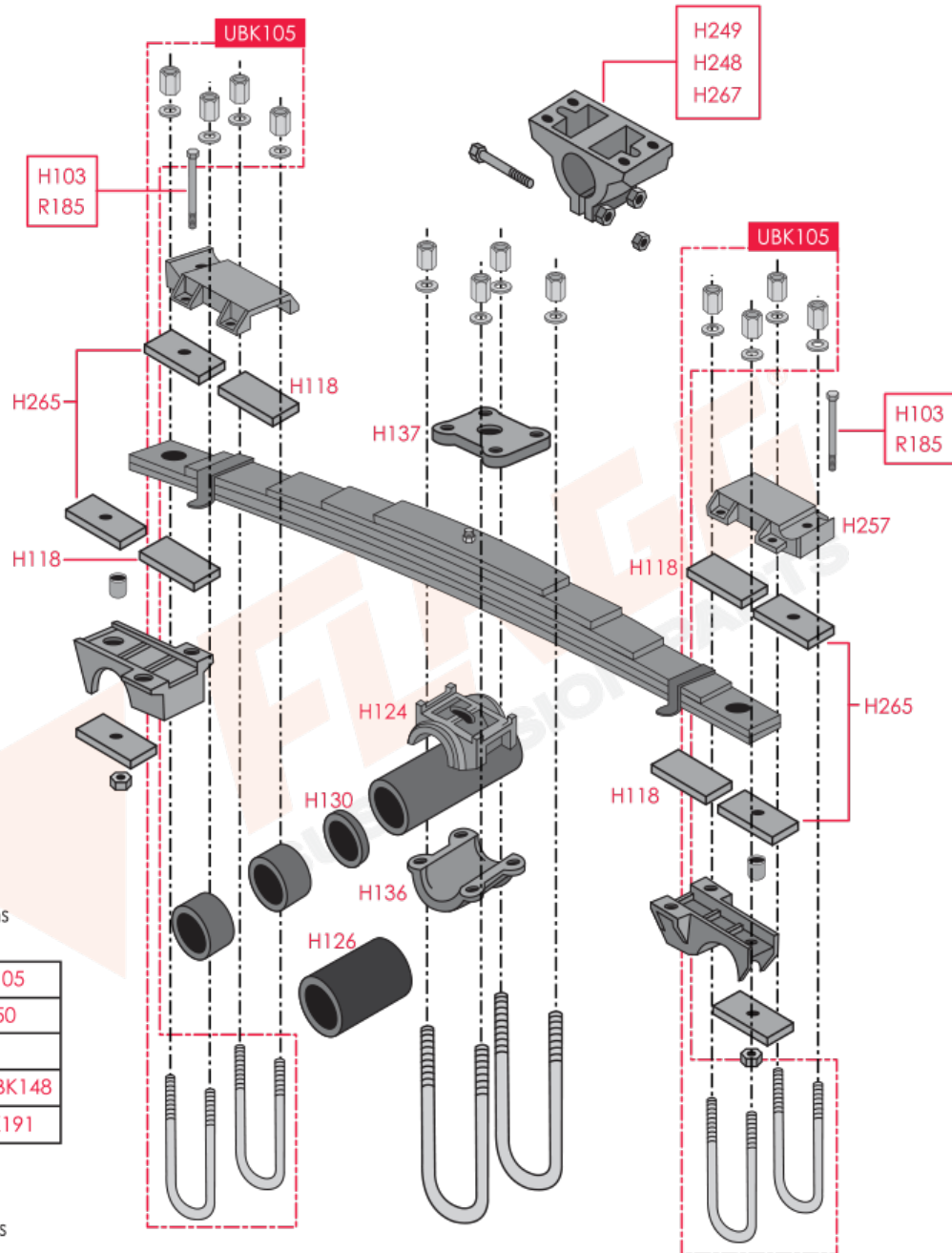
Replacement Main Plate	TRA2719-1
------------------------	------------------

© 2018 Triangle Suspension Systems Inc.

Hutchens, Model 800A Single Point, Trailer Suspension



HUTCHENS MODEL H800A SINGLE POINT, TRAILER SUSPENSION



Common U-Bolt Options Axle Connection

3/4 x 5 x 8 - round - UBK105
1 x 5 x 11 - round - UBK150
1 x 5-3/4 x 12-1/2 - round
1 x 6 x 11-1/2 - round - UBK148
3/4 x 5 x 8 - square - UBK191

Common U-Bolt Options Trunnion Connection

1-1/8 x 5-1/8 x 13-1/2 - square - UBK211
1-1/8 x 5-1/8 x 14-1/2 - square - UBK213
1-1/8 x 5-3/4 x 14-1/2 - round - UBK219

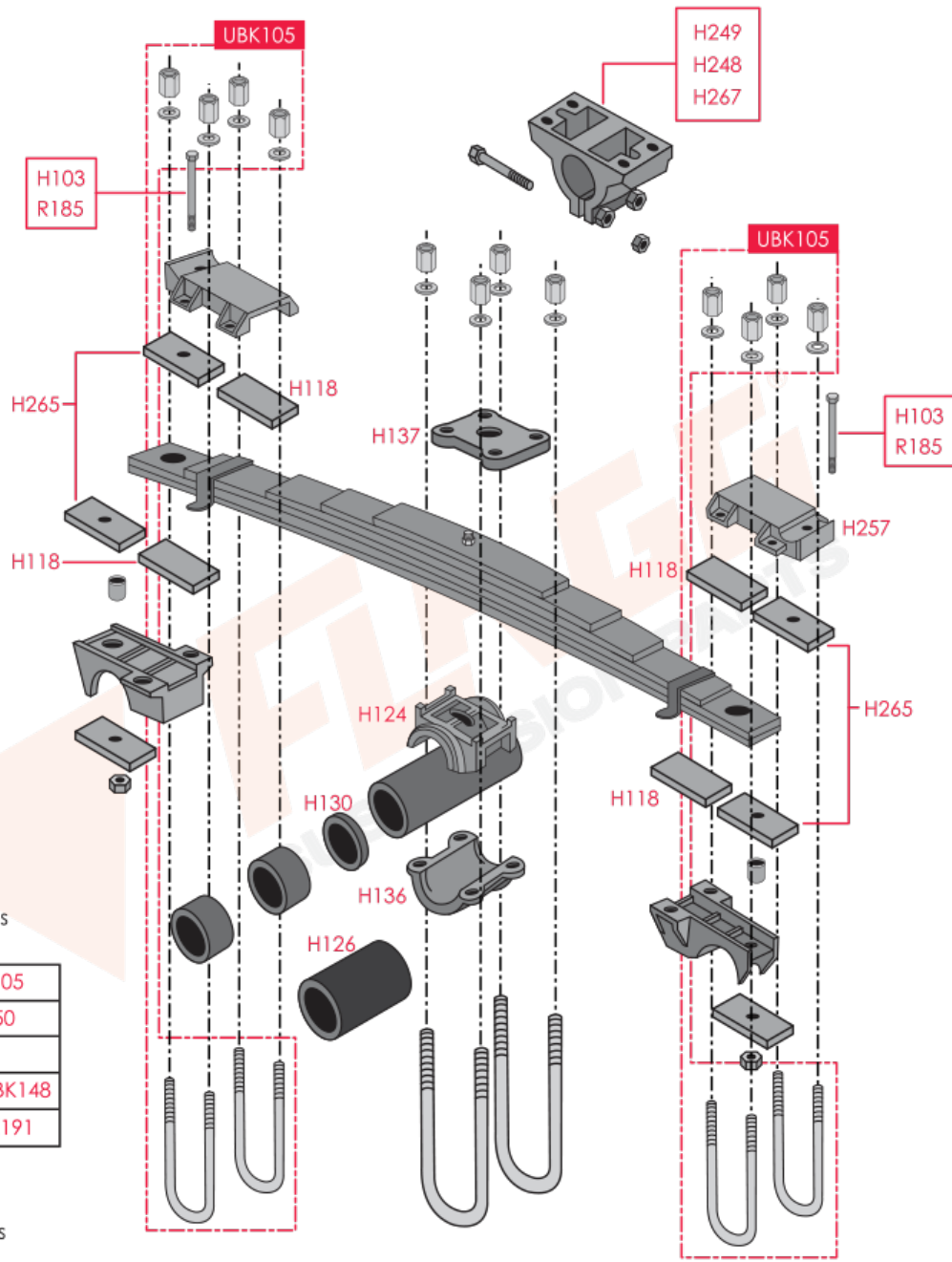
Note: U-Bolt numbers shown are only the most common.
This is not intended to be an all encompassing list.

© 2019 Triangle Suspension Systems Inc.

Hutchens, Model 800A Single Point, Trailer Suspension



HUTCHENS MODEL H800A SINGLE POINT, TRAILER SUSPENSION



Common U-Bolt Options Axle Connection

3/4 x 5 x 8 - round - UBK105
1 x 5 x 11 - round - UBK150
1 x 5-3/4 x 12-1/2 - round
1 x 6 x 11-1/2 - round - UBK148
3/4 x 5 x 8 - square - UBK191

Common U-Bolt Options Trunnion Connection

1-1/8 x 5-1/8 x 13-1/2 - square - UBK211
1-1/8 x 5-1/8 x 14-1/2 - square - UBK213
1-1/8 x 5-3/4 x 14-1/2 - round - UBK219

Note: U-Bolt numbers shown are only the most common.
This is not intended to be an all encompassing list.

© 2019 Triangle Suspension Systems Inc.

Meritor: RHP11 Trailer Suspension

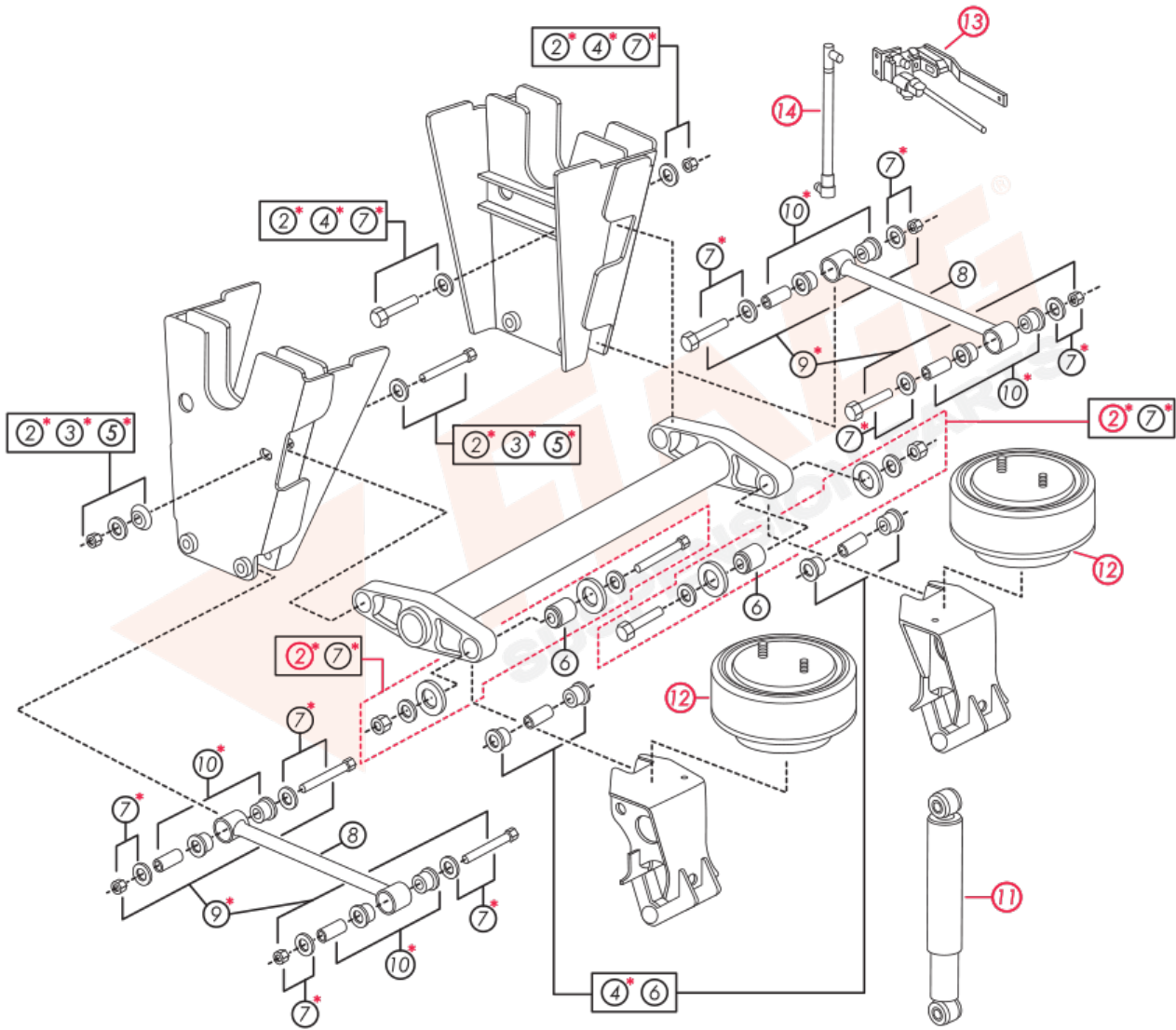


MERITOR RHP11 TRAILER SUSPENSION

***BOLD RED NUMBERS REFLECT TRIANGLE PART NUMBERS**

**ITALICIZED BLACK NUMBERS REFLECT OEM NUMBERS (USE FOR REFERENCE ONLY)*

FOR PART NUMBERS,
SEE TABLE PAGE.



Key Numbers with an asterisk (*) indicate both kit and individual availability.

© 2017 Triangle Suspension Systems Inc.

Meritor: RHP11 Trailer Suspension, TABLE PAGE

MERITOR

RHP11

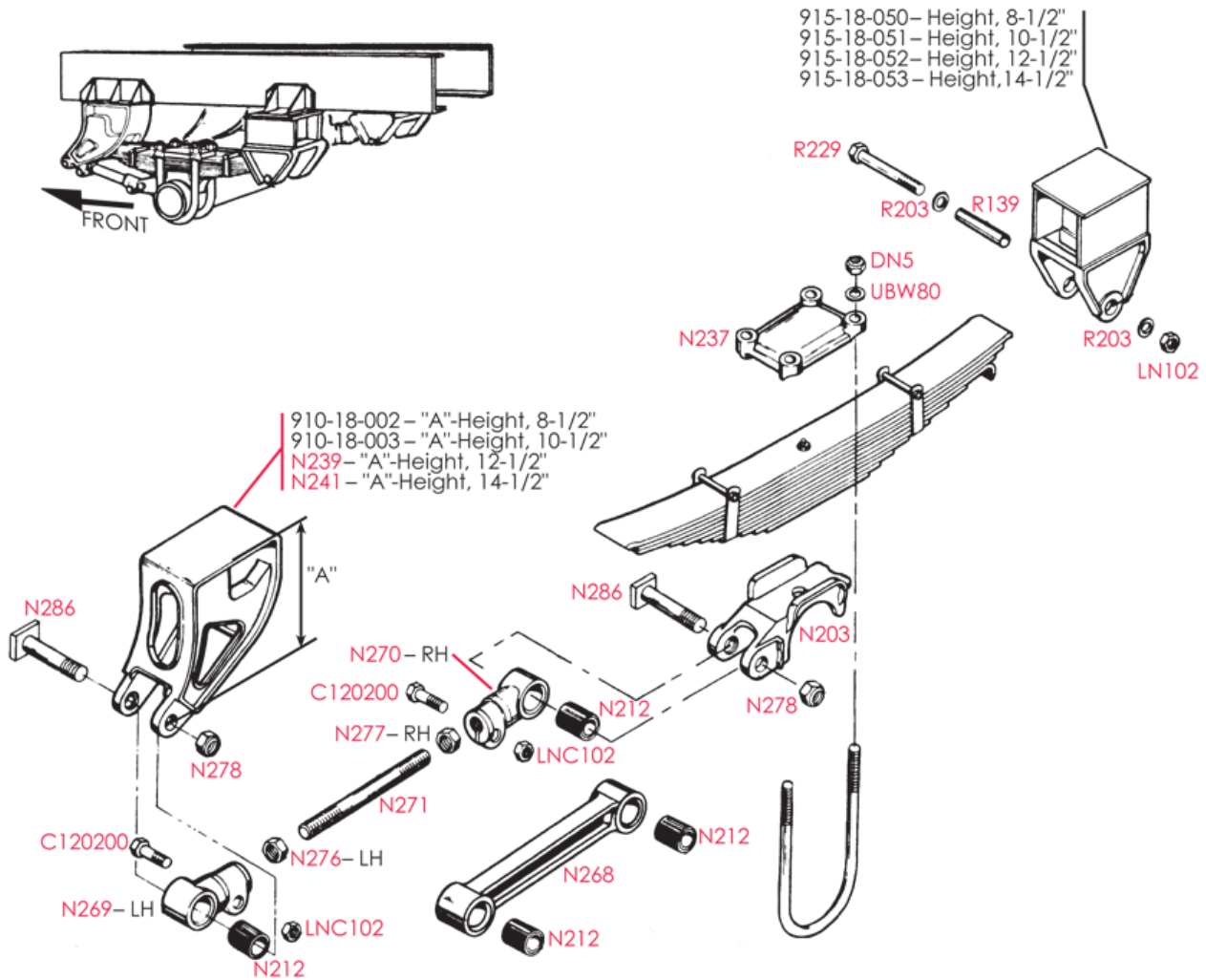
TRAILER SUSPENSION

②	MER101	Kit, Service, Control Arm
③	KIT11100 KIT11127	Kit, Service, Control Arm, Adjustable
④	KIT11101	Kit, Service, Control Arm, Fixed
⑤	KIT11106	Assembly, Bolt; Alignment
⑥	KIT11126 A-1225-L-1416	Assembly, Bushing; Control Arm Bushing
⑦	KIT11107	Assembly, Bolt; Control Arm; Torque Rod
⑧	A-3133-G-8249 A1-3133-Y-8345 A2-3216-D-4632K	Torque Rod, Rigid Torque Rod, Adjustable Torque Rod
⑨	KIT11102	Kit, Service; Torque Rod
⑩	M302502	Assembly, Bushing; Torque Rod
⑪	F65503	Shock Absorber
⑫	AS-81226	Air Spring
⑬	AS-1323	Valve, Height Control
⑭	NK547	Linkage Assembly; Universal; Adjustable

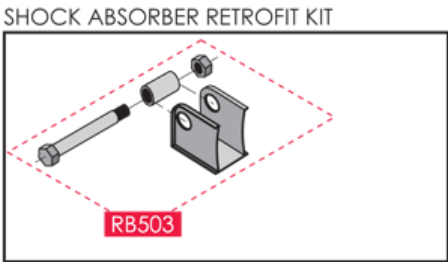
Neway, Models RTS-218A, RTS-222A, Trailer Suspension



Most common spring(s) used for SAF Holland Neway RTS Series:
 13 leaves = **TRA2660** 14 leaves = **TRA3209**



SERVICE REPAIR KIT
 Radius Rod Rebushing Kit
NK511 - SRK39
 Note: One Kit Per Axle

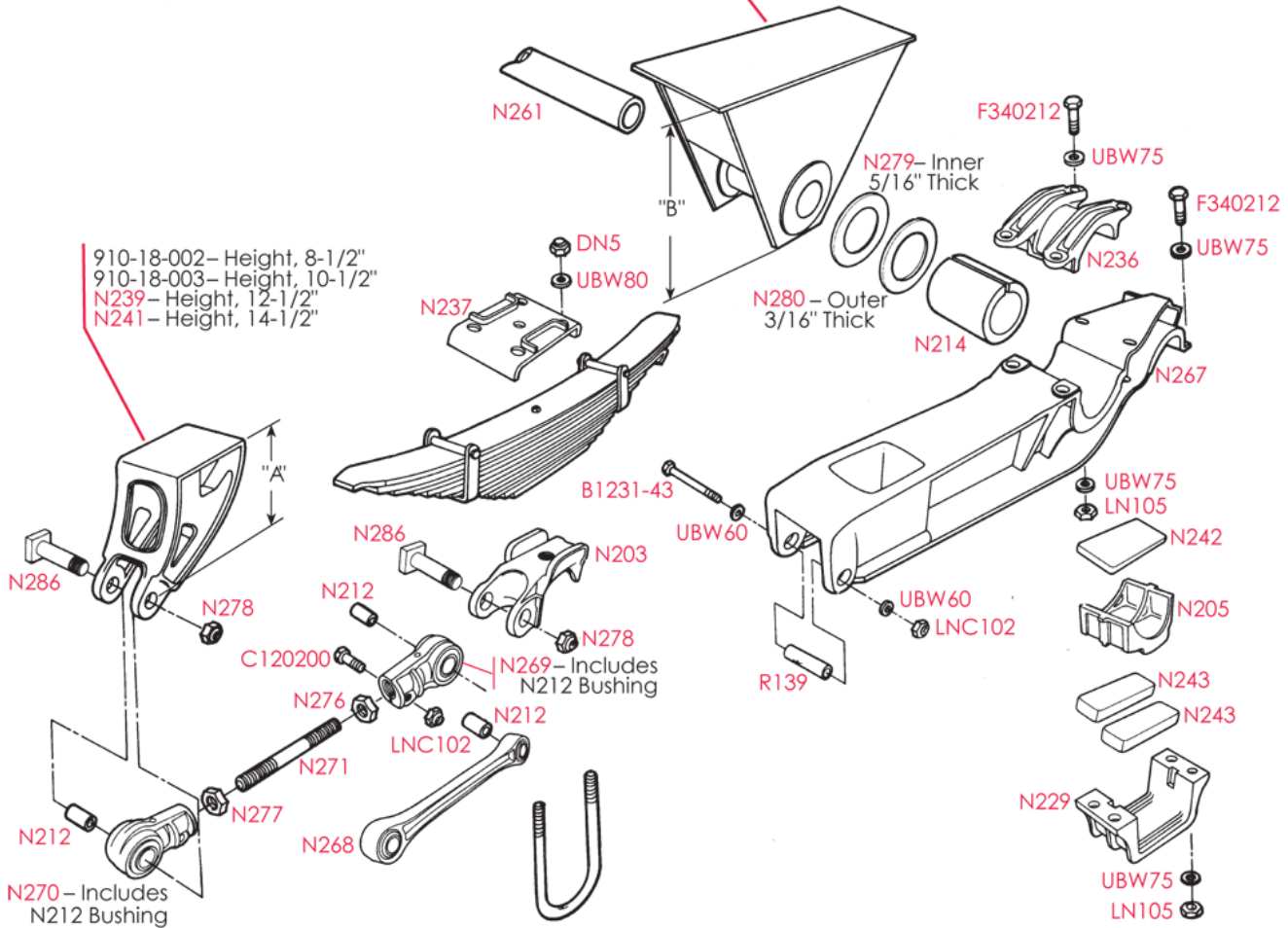


Note: Kit contains 4 times the number of parts shown.

Neway, Models RTS-536, RTS-544, Trailer Suspension



Tri-Axles:
 915-18-016 - Height = 8-1/2"
 915-18-015 - Height = 10-1/2"
 915-18-014 - Height = 12-1/2"
 915-18-013 - Height = 14-1/2"
 Tandem Axles:
 915-18-005 - Height = 8-1/2"
 915-18-006 - Height = 10-1/2"
 915-18-007 - Height = 12-1/2"
 915-18-008 - Height = 14-1/2"



910-18-002 - Height, 8-1/2"
 910-18-003 - Height, 10-1/2"
 N239 - Height, 12-1/2"
 N241 - Height, 14-1/2"

"A"
 "B"

N269 - Includes N212 Bushing

N270 - Includes N212 Bushing

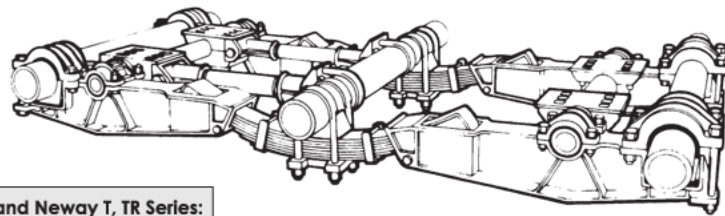
Most common spring(s) used for SAF Holland Neway RTS Series:
 13 leaves = TRA2660 14 leaves = TRA3209

SERVICE REPAIR KITS

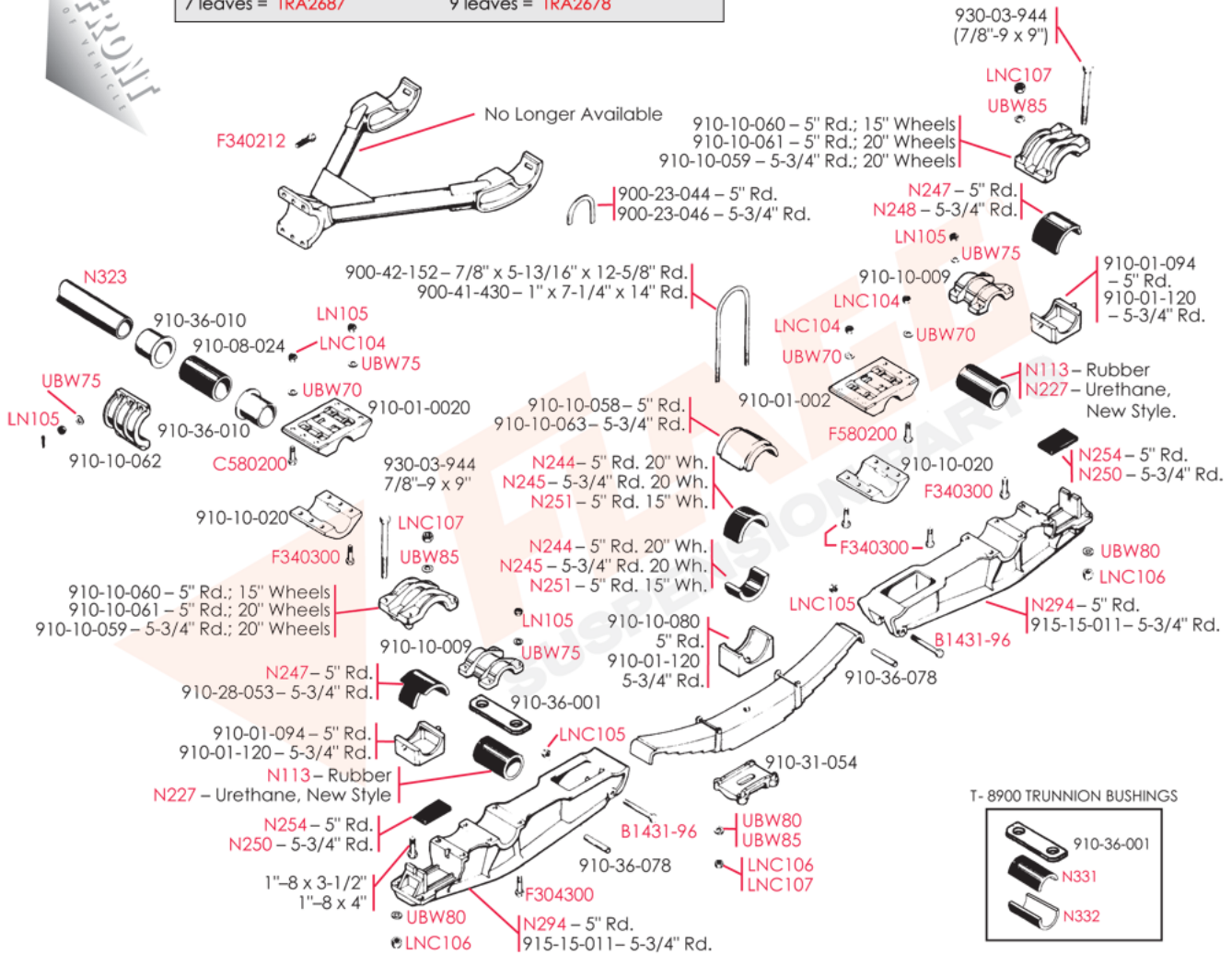
Axle and Trunion Connection Kit	Radius Rod Rebushing Kit
NK509 - SRK36	NK511 - SRK39

Note: One Kit Per Axle

Neway, Models T8540, T8750, T8900, TR8540, TR8600, Tri-Axle, Trailer Suspension



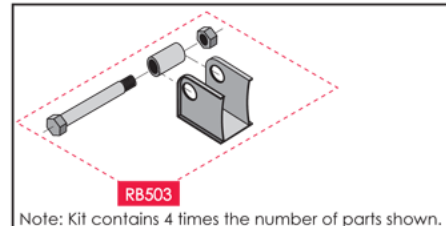
Most common spring(s) used for SAF Holland Neway T, TR Series:
 7 leaves = TRA2687 9 leaves = TRA2678



T- 8900 TRUNNION BUSHINGS



SHOCK ABSORBER RETROFIT KIT



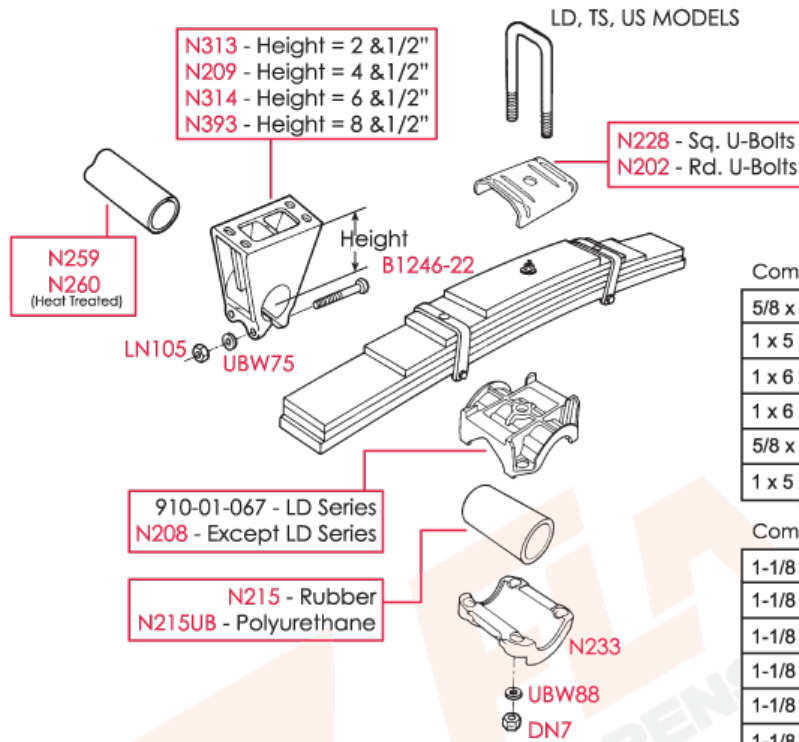
SERVICE REPAIR KITS

Center Axle Connection Kits			H.D. Fiber Trunnion Kit (Old Style Two Piece Bushing)	Trunnion and End Axle Connection Kits	
15" Wheels	20" Wheels			5" Rd. Axle	5/3/4" Rd. Axle
5" Rd. Axle	5" Rd. Axle	5-3/4" Rd. Axle	NK525 - SRK88	NK510 - SRK38	SRK40
SRK42	SRK44	SRK45			

Neway, Models TS, US, URS, LD Series, Single Point, Trailer Suspension



SAF HOLLAND NEWAY TS, US, USR, LD SINGLE POINT TRAILER SUSPENSION



Common U-Bolt Options - Axle Connection

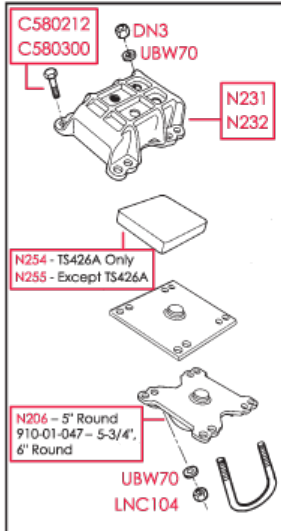
5/8 x 5 x 7-1/2 - round - UBK102
1 x 5 x 11 - round - UBK149
1 x 6 x 11-1/2 - round
1 x 6 x 12-1/2 - round
5/8 x 5 x 9-1/2 - square - UT-4109S
1 x 5 x 10-1/2 - square - UT-6213S

Common U-Bolt Options - Trunnion Connection

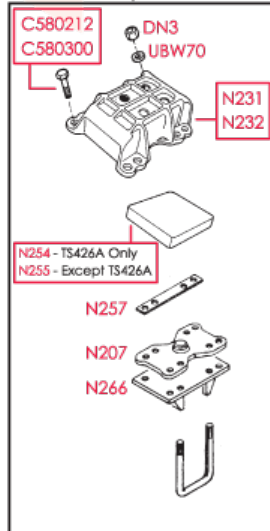
1-1/8 x 5-3/4 x 13-1/2 - round - UBK153
1-1/8 x 5-3/4 x 14-1/2 - round - UT-7315R
1-1/8 x 5-3/4 x 15-1/2 - round - UBK154
1-1/8 x 5-3/4 x 10-1/2 - square - N160
1-1/8 x 5-3/4 x 11-1/2 - square - N145
1-1/8 x 5-3/4 x 14-1/2 - square - N47

Note: U-Bolt numbers shown are only the most common. This is not intended to be an all encompassing list.

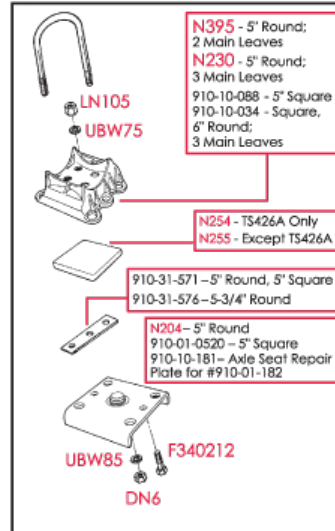
LD, TS MODELS - Round Axle



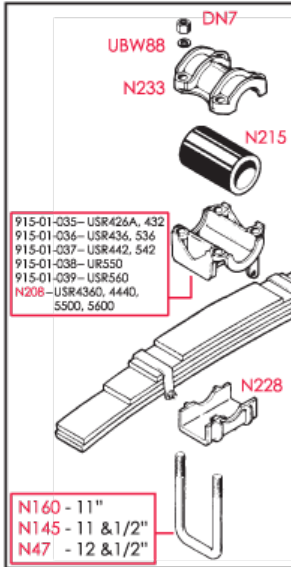
TS MODELS - Square Axle



US, USR MODELS



USR MODELS



Reyco, Model 21, Trailer Suspension

REYCO MODEL 21 TRAILER SUSPENSION



Common U-Bolt Options

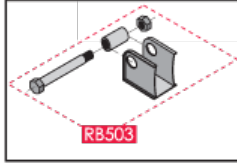
7/8 x 5 x 13 - round - **UBK143**

7/8 x 5 x 14 - round - **UBK129**

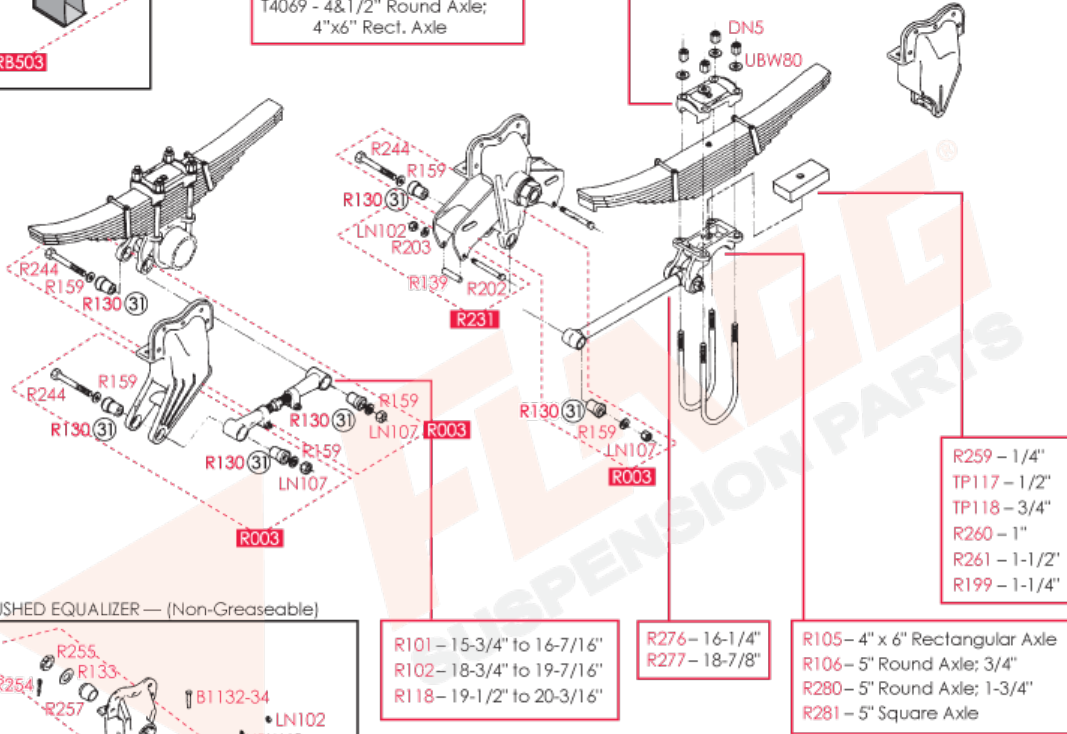
7/8 x 5 x 17 - round - **UBK263**

Note: U-Bolt numbers shown are only the most common. This is not intended to be an all encompassing list.

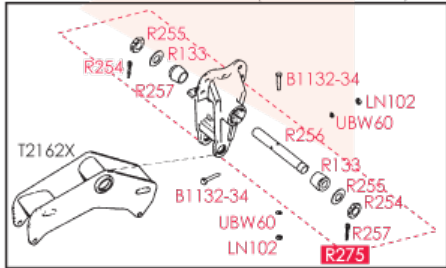
SHOCK ABSORBER RETROFIT KIT



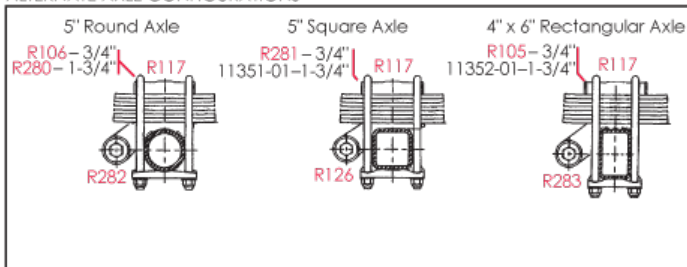
R122 - 5" Round Axle;
5" Eaton Square Axle
T1734 - 5" ProPar Square Axle;
T4069 - 4 1/2" Round Axle;
4"x6" Rect. Axle



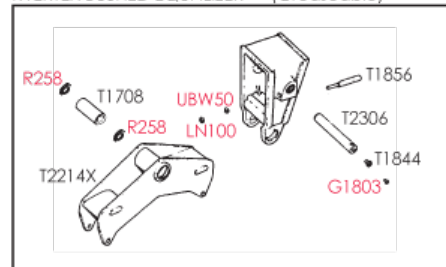
RUBBER BUSHED EQUALIZER — (Non-Greaseable)



ALTERNATE AXLE CONFIGURATIONS



RYERTEX BUSHED EQUALIZER — (Greaseable)



Note: Kit contains 4 times the number of parts shown.

(3) Optional Urethane Bushing, **R130UB**, may be purchased separately.

© 2010 Triangle Suspension Systems Inc.

Reyco, Model 21AR, Trailer Suspension



REYCO MODEL 21AR TRAILER SUSPENSION

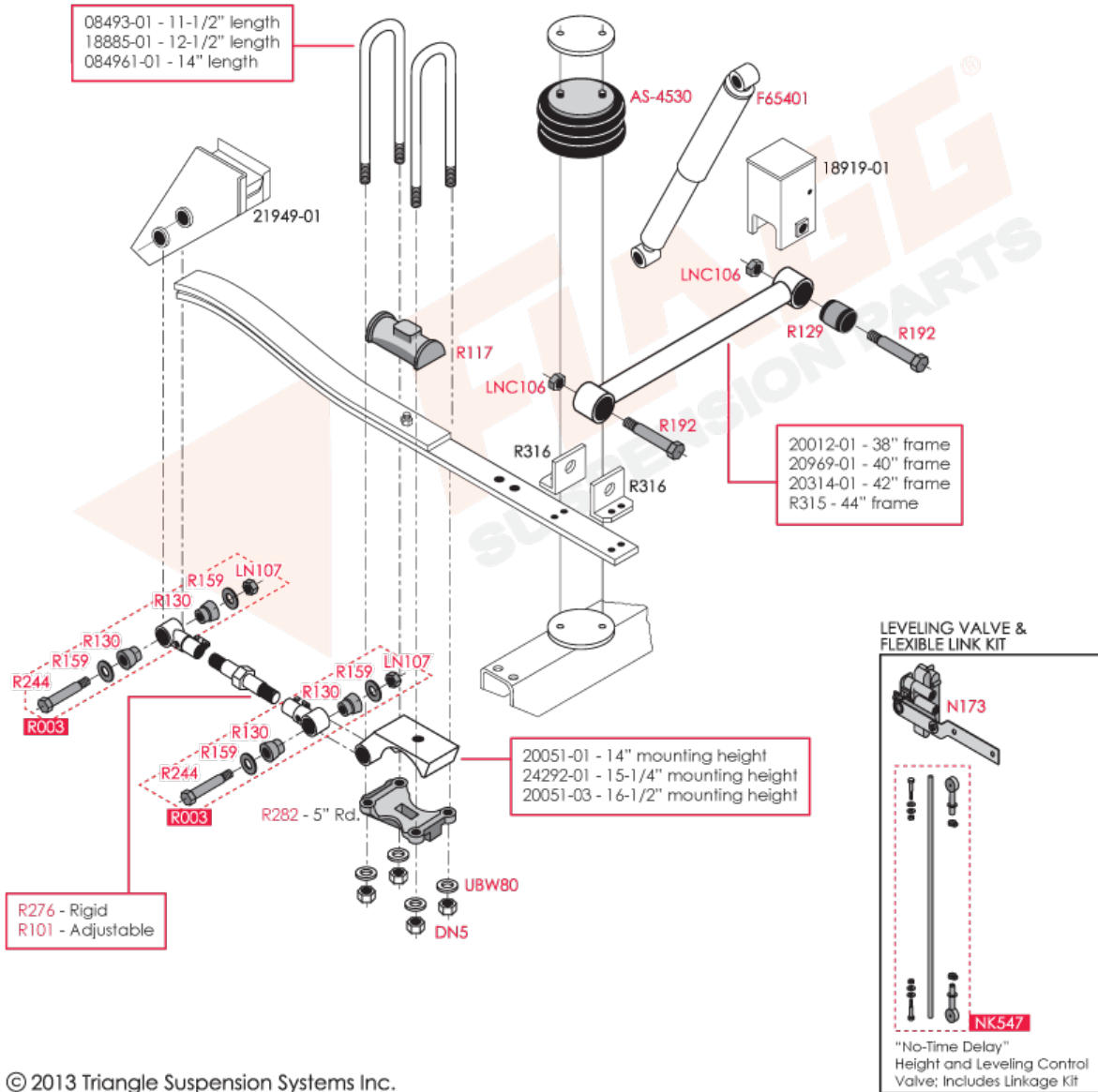
Common U-Bolt Options

7/8 x 3 x 14-1/2 - round - UBK266
7/8 x 3 x 12-1/2 - round - UBK125
7/8 x 3 x 15-1/2 - round - UBK126
7/8 x 3 x 13-1/2 - round - UBK122

Most Common Springs used for Reyco Model 21AR

2 leaves: TRA3375	TRA3376
--------------------------	----------------

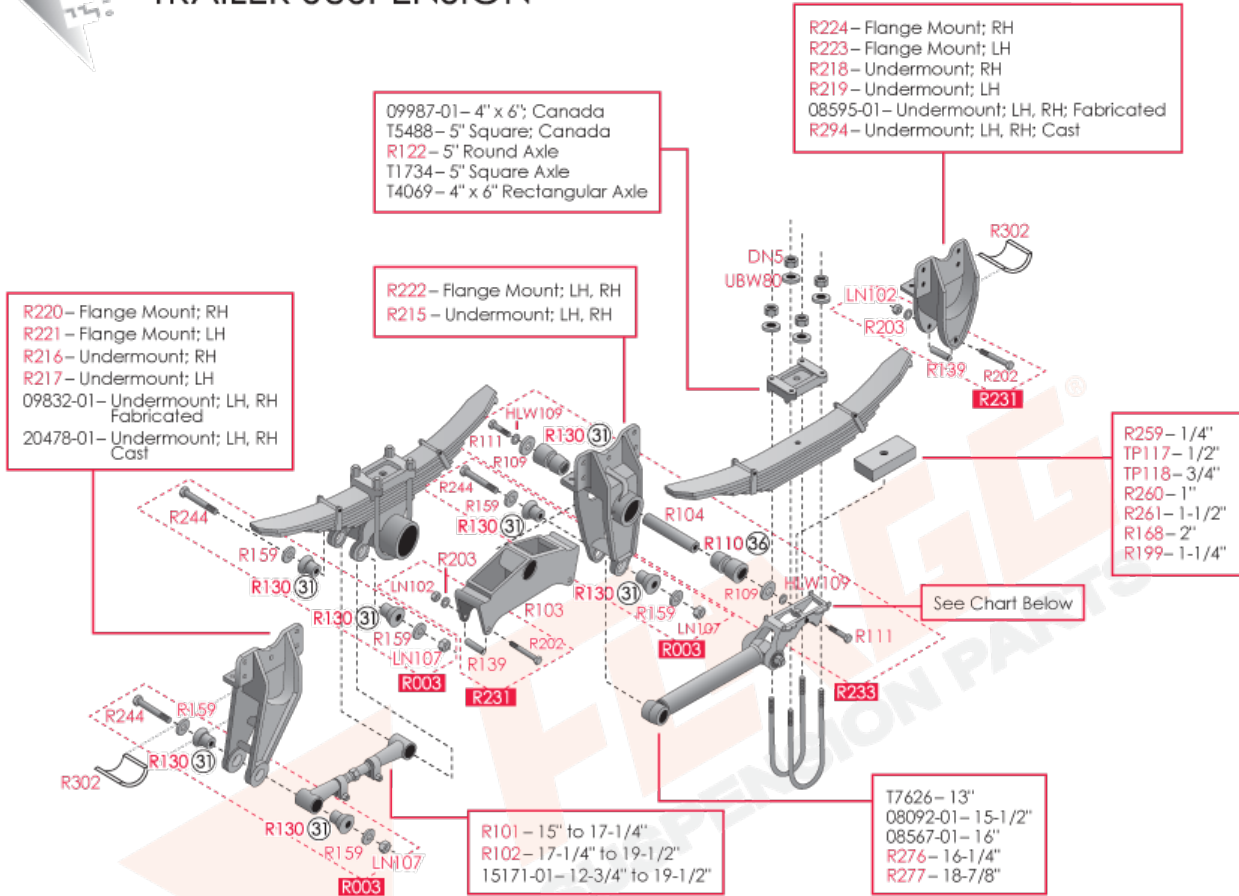
Note: U-Bolt numbers shown are only the most common. This is not intended to be an all encompassing list.



Reyco, Model 21B, Fabricated and Cast Frame Hangers (42" to 49") Axle Spacing, Trailer Suspension



REYCO MODEL 21B FAB/CAST 42" TO 49" AXLE CENTERS TRAILER SUSPENSION



Most Common Springs used for Reyco 21B Models

1 leaf: TRA031, TRA038	3 leaves: TRA2291
7 leaves: TRA2256	8 leaves: TRA2270
9 leaves: TRA2297	

Common U-Bolt Options

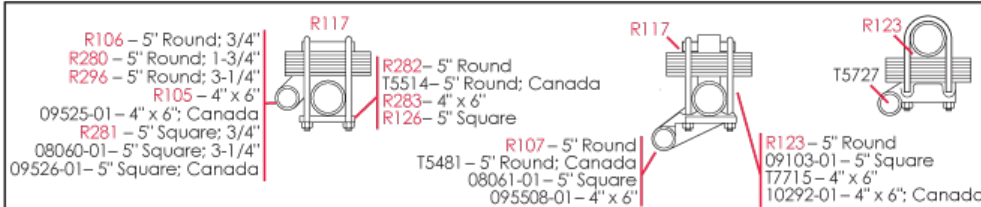
7/8 x 3 x 14-1/2 - round - UBK266
7/8 x 3 x 17-1/2 - round - UBK133
7/8 x 3 x 18-1/2 - round - UBK273
7/8 x 5 x 12 - round - UBK143
7/8 x 5 x 14 - round - UBK129
7/8 x 5 x 16 - round - UBK263

Note: U-Bolt numbers shown are only the most common. This is not intended to be an all encompassing list.

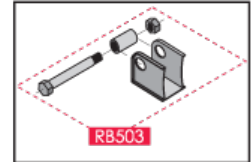
MAJOR REBUSHING KIT

R292 - Consists of: (2) R233 - Equalizer Rebushing Kits
(8) R003 - Torque Rod Rebushing Kits
(6) R231 - Equalizer Roller Assembly Kits

ALTERNATE AXLE CONFIGURATIONS



SHOCK ABSORBER RETROFIT KIT



Note: Kit contains 4 times the number of parts shown.

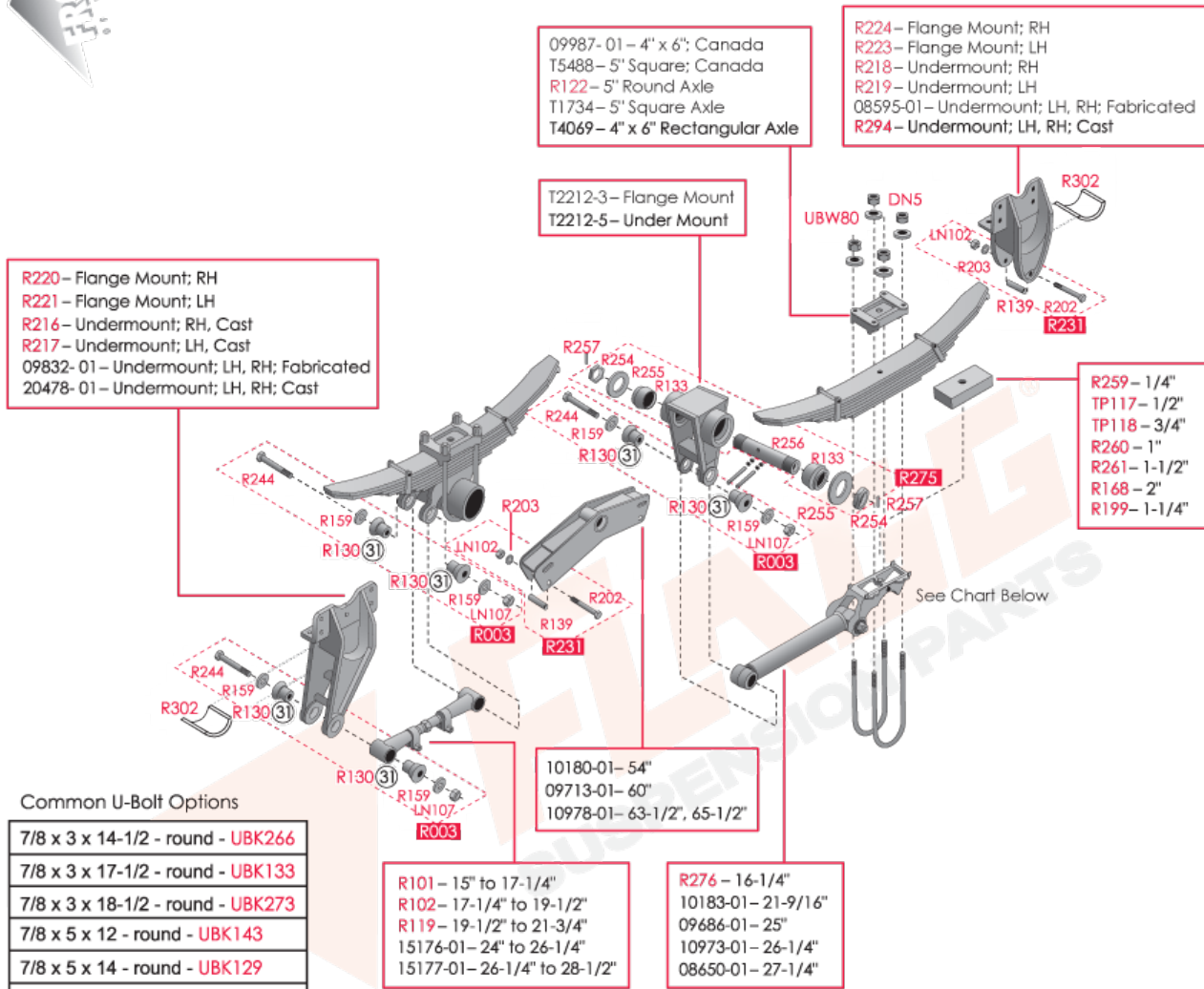
- ③ Optional Urethane Bushing, **R130UB**, may be purchased separately.
- ③ Optional Urethane Bushing, **R110UB**, may be purchased separately.

© 2015 Triangle Suspension Systems Inc.

Reyco, Model 21B, Fabricated and Cast Frame Hangers (54" to 65") Axle Spacing, Trailer Suspension



REYCO MODEL 21B FAB/CAST 54" TO 65" AXLE CENTERS TRAILER SUSPENSION



Common U-Bolt Options

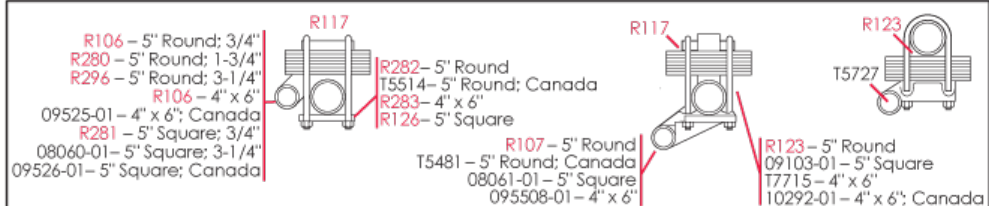
7/8 x 3 x 14-1/2 - round - UBK266
7/8 x 3 x 17-1/2 - round - UBK133
7/8 x 3 x 18-1/2 - round - UBK273
7/8 x 5 x 12 - round - UBK143
7/8 x 5 x 14 - round - UBK129
7/8 x 5 x 16 - round - UBK263

Note: U-Bolt numbers shown are only the most common. This is not intended to be an all encompassing list.

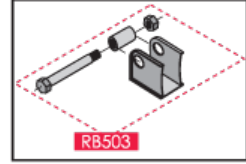
Most Common Springs used for Reyco 21B Models

1 leaf: TRA031, TRA038	3 leaves: TRA2291
7 leaves: TRA2256	8 leaves: TRA2270
9 leaves: TRA2297	

ALTERNATE AXLE CONFIGURATIONS



SHOCK ABSORBER RETROFIT KIT



Note: Kit contains 4 times the number of parts shown.

③ Optional Urethane Bushing, R130UB, may be purchased separately.

Reyco, Model 21B, with Cast Frame Hangers (50" - 109") Axle Spacing, Trailer Suspension



REYCO MODEL 21B FAB/CAST 50" TO 109" AXLE CENTERS TRAILER SUSPENSION

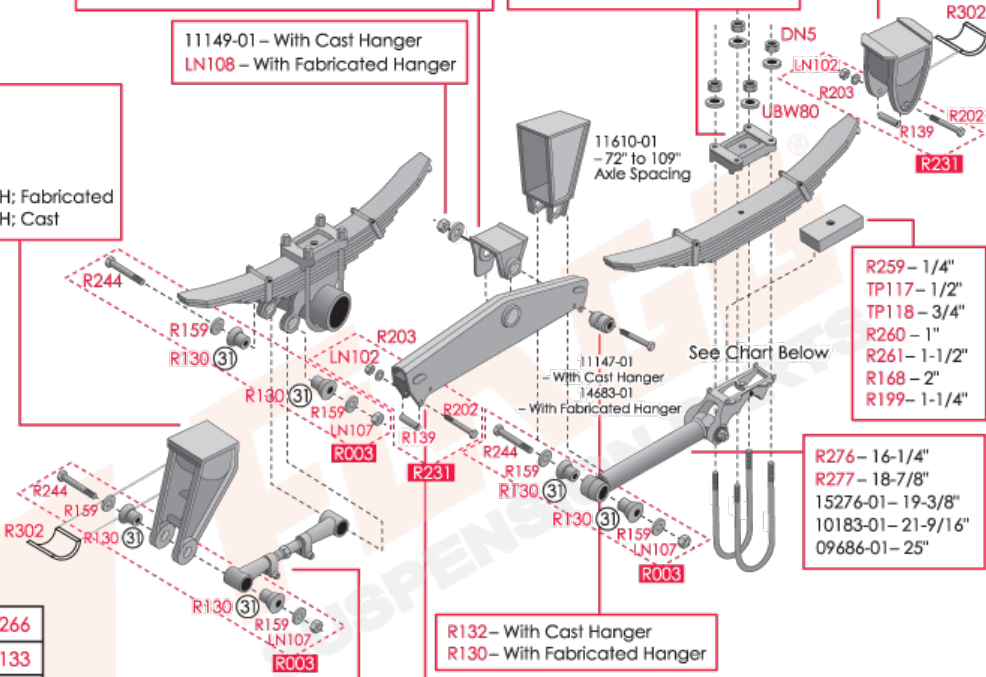
R224 - Flange Mount; RH
R223 - Flange Mount; LH
R218 - Undermount; RH, Cast
R219 - Undermount; LH, Cast
R294 - Undermount; LH, RH; Cast
08595-01 - Undermount; LR, RH; Fabricated

14684-01 - 50" to 65-1/2" Axle Spacing
14688-01 - Fabricated; 72" to 109" Axle Spacing
11150-01 - Cast; 72" to 109" Axle Spacing

09987-01 - 4" x 6"; Canada
T5488 - 5" Square; Canada
- 5" Round Axle
T1734 - 5" Square Axle
T4069 - 4" x 6" Rectangular Axle

11149-01 - With Cast Hanger
LN108 - With Fabricated Hanger

R220 - Flange Mount; RH
R221 - Flange Mount; LH
R216 - Undermount; RH, Cast
R217 - Undermount; LH, Cast
09832-01 - Undermount; LH, RH; Fabricated
20478-01 - Undermount; LH, RH; Cast



R259 - 1/4"
TP117 - 1/2"
TP118 - 3/4"
R260 - 1"
R261 - 1-1/2"
R168 - 2"
R199 - 1-1/4"

R276 - 16-1/4"
R277 - 18-7/8"
15276-01 - 19-3/8"
10183-01 - 21-9/16"
09686-01 - 25"

Common U-Bolt Options

7/8 x 3 x 14-1/2 - round - UBK266
7/8 x 3 x 17-1/2 - round - UBK133
7/8 x 3 x 18-1/2 - round - UBK273
7/8 x 5 x 12 - round - UBK143
7/8 x 5 x 14 - round - UBK129
7/8 x 5 x 16 - round - UBK263

Note: U-Bolt numbers shown are only the most common. This is not intended to be an all encompassing list.

Most Common Springs used for Reyco 21B Models

1 leaf: TRA031, TRA038	3 leaves: TRA2291
7 leaves: TRA2256	8 leaves: TRA2270
9 leaves: TRA2297	

R101 - 15" to 17-1/4"
R102 - 17-1/4" to 19-1/2"
R119 - 19-1/2" to 21-3/4"
15176-01 - 24" to 26-1/4"
15177-01 - 26-1/4" to 28-1/2"

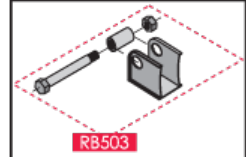
14689-01 - 50" w/Fab. Eq. Hanger
14693-01 - 54" w/Fab. Eq. Hanger
14696-01 - 60" w/Fab. Eq. Hanger
14700-01 - 63-1/2" to 65-1/2" w/Fab. Eq. Hanger
14763-01 - 72" w/Fab. Eq. Hanger
14764-01 - 97" w/Fab. Eq. Hanger
14765-01 - 109" w/Fab. Eq. Hanger
11143-01 - 72" w/Cast Eq. Hanger
11208-01 - 96" w/Cast Eq. Hanger
11630-01 - 108" w/Cast Eq. Hanger

R132 - With Cast Hanger
R130 - With Fabricated Hanger

ALTERNATE AXLE CONFIGURATIONS



SHOCK ABSORBER RETROFIT KIT



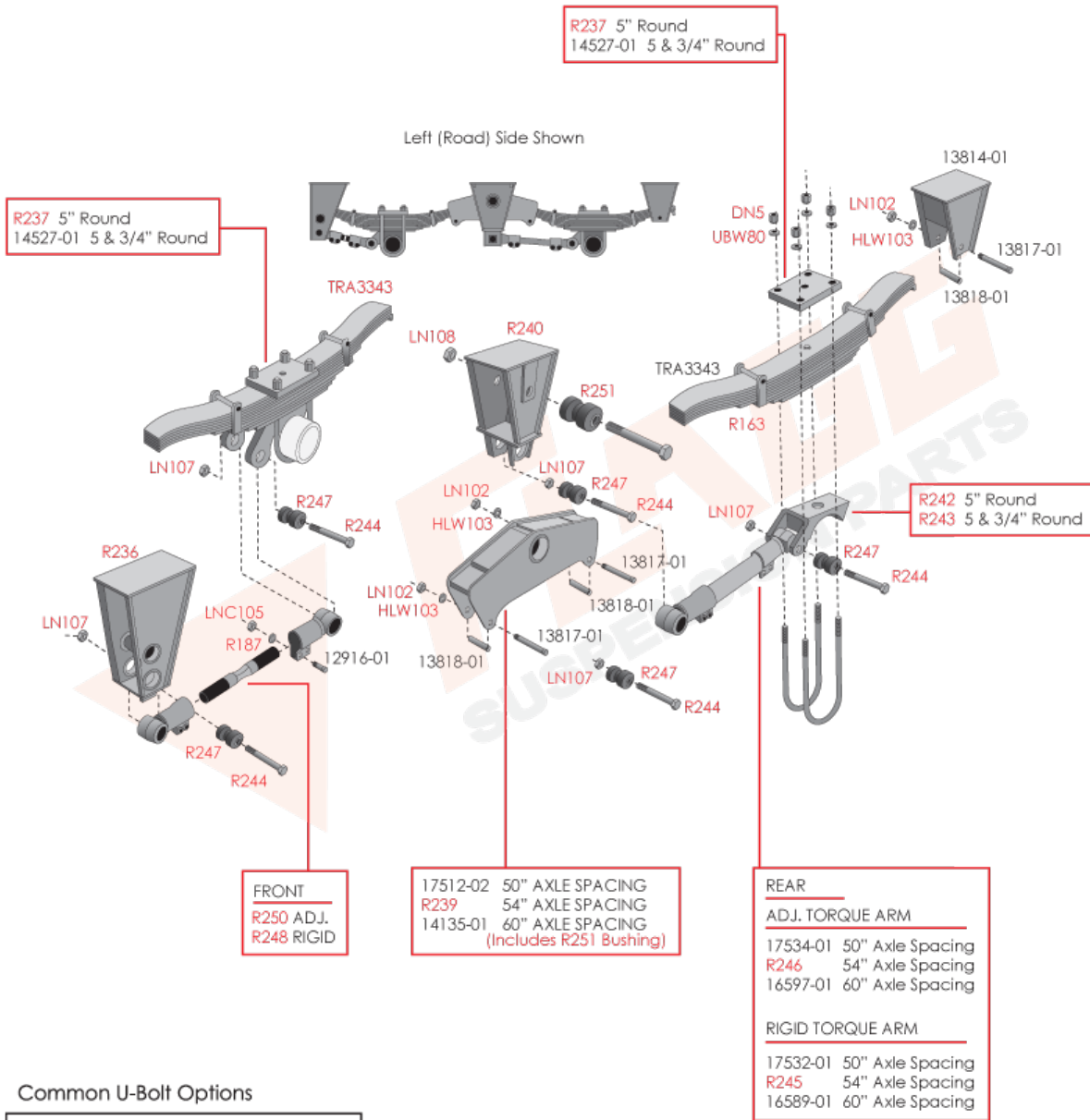
Note: Kit contains 4 times the number of parts shown.

③ Optional Urethane Bushing, R130UB, may be purchased separately.

Reyco, Model 74B, 54", 60" Axle Centers, Trailer Suspension



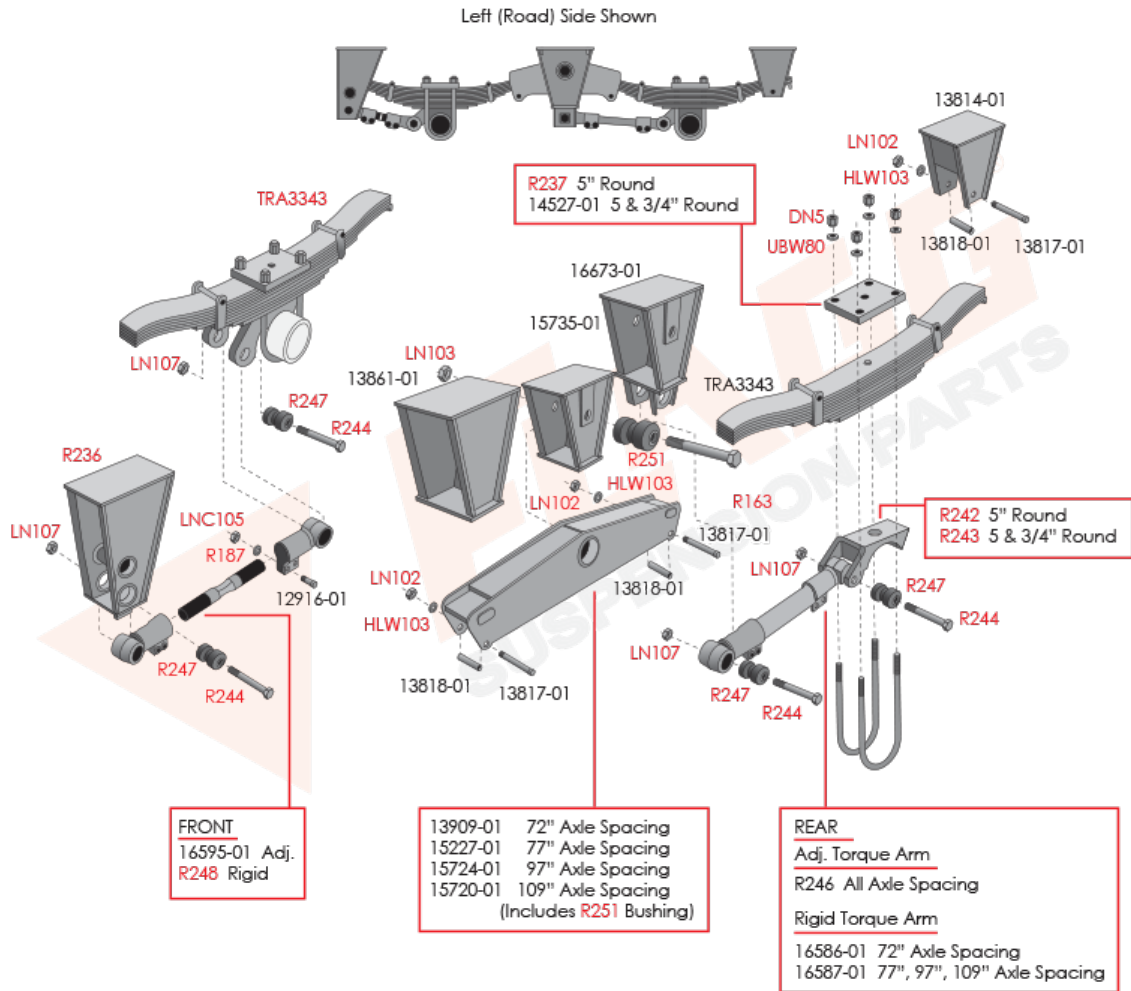
REYCO MODEL 74B 54", 60" AXLE CENTERS TRAILER SUSPENSION



Reyco, Model 74B, 72", 77", 97", 109" Axle Centers, Trailer Suspension



REYCO MODEL 74B 72", 77", 97", 109" AXLE CENTERS (WIDE SPREAD) TRAILER SUSPENSION



Common U-Bolt Options

7/8 x 5 x 13 - round - UBK143
7/8 x 5-3/4 x 13-1/2 - round - UBK146
7/8 x 5-3/4 x 14-1/2 - round - UBK146

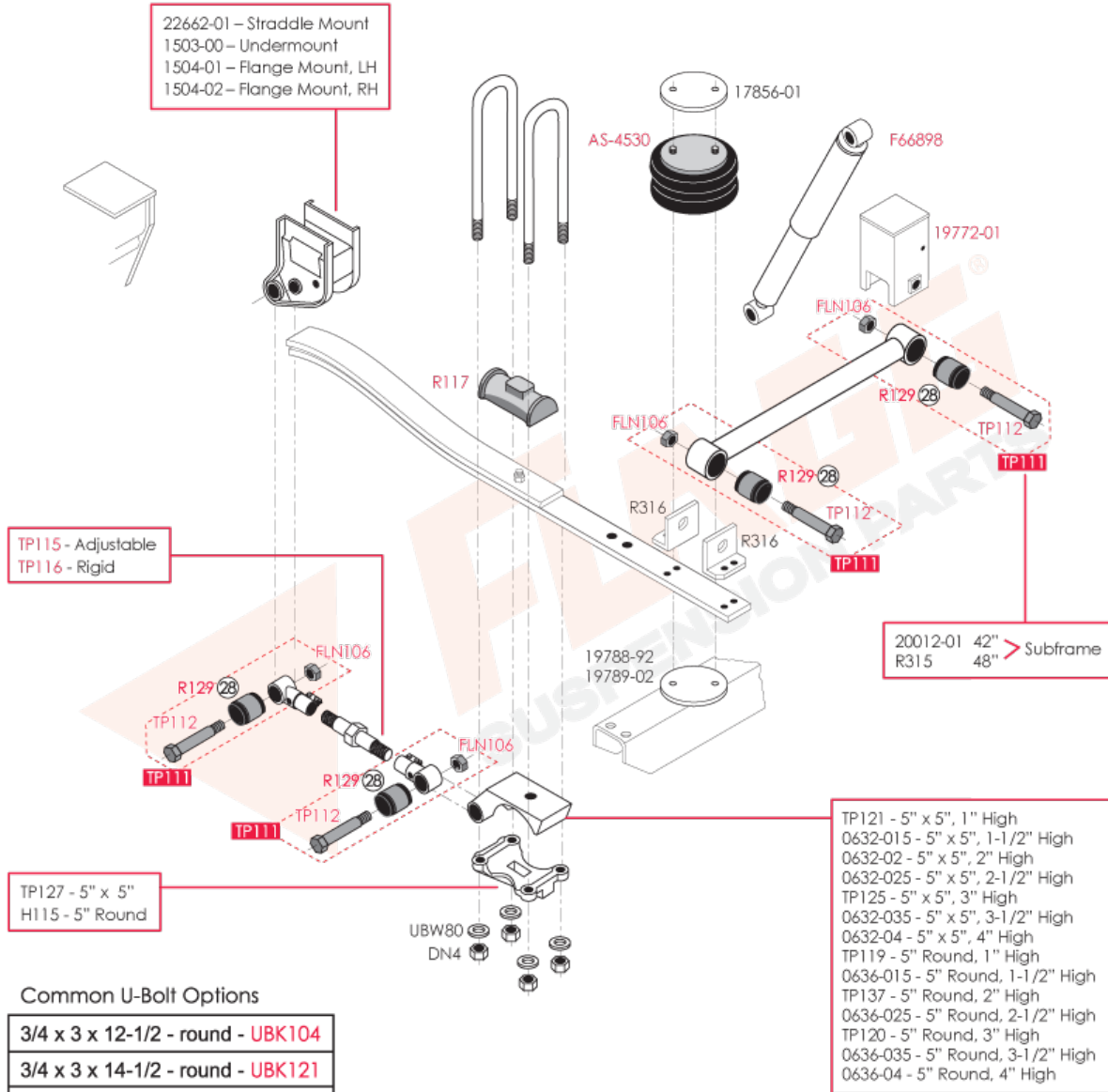
Note: U-Bolt numbers shown are only the most common.
 This is not intended to be an all encompassing list.

© 2019 Triangle Suspension Systems Inc.

Reyco, Model 86AR, Trailer Suspension



REYCO MODEL 86AR TRAILER SUSPENSION



Common U-Bolt Options

3/4 x 3 x 12-1/2 - round - UBK104
3/4 x 3 x 14-1/2 - round - UBK121
3/4 x 3 x 16-1/2 - round - UBK107
7/8 x 3 x 16-1/2 - round - UBK265

Note: U-Bolt numbers shown are only the most common. This is not intended to be an all encompassing list.

Most Common Springs used for Reyco 21B Models

1 leaf: TRA074, TRA075

Note: PN 0836-XX is discontinued and replaced by 0636-XX. Due to slight variance in top plate thickness, be sure to replace all of these parts on the same axle to level the trailer.

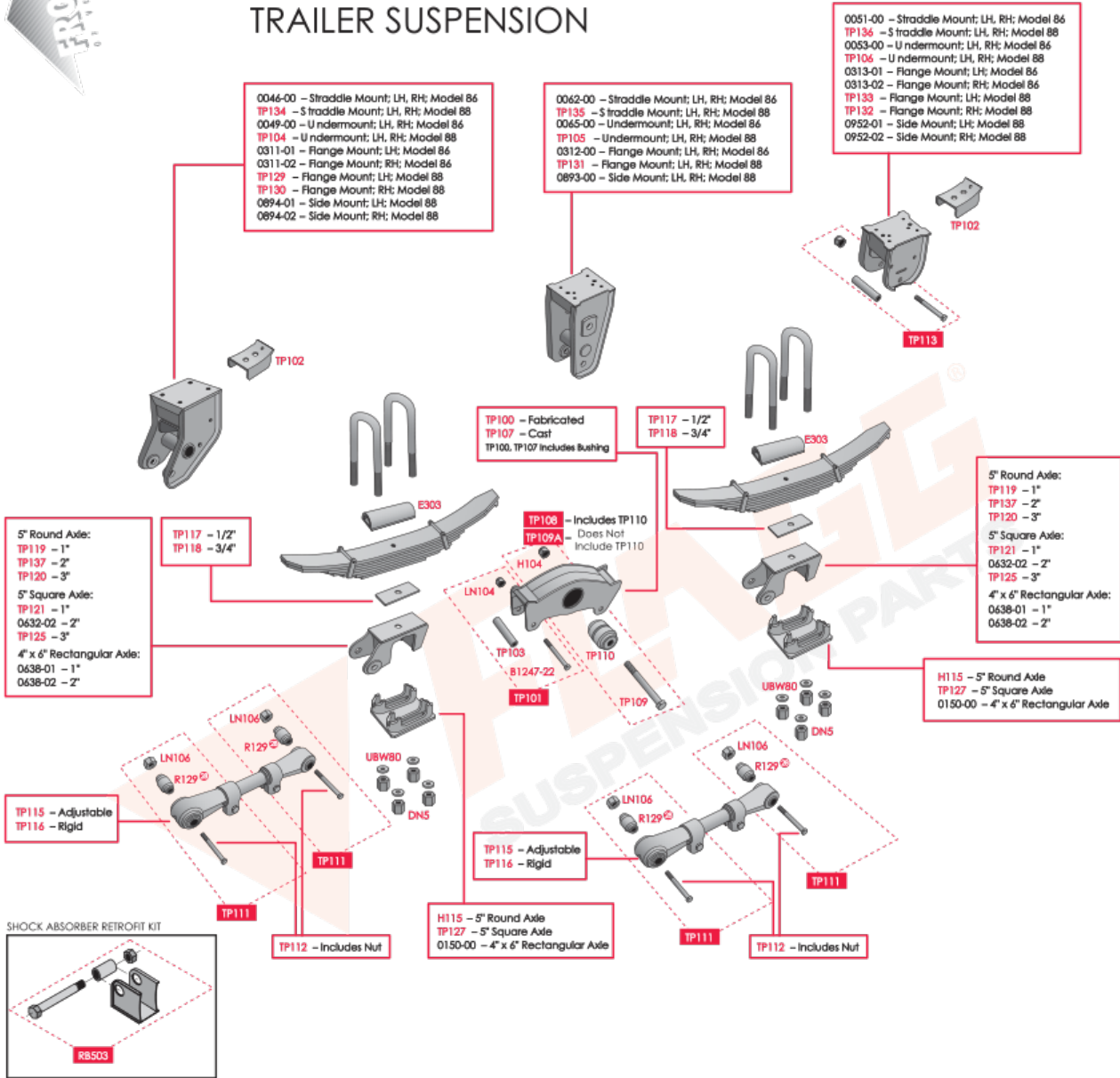
Ⓢ Optional Urethane Bushing, R129UB, may be purchased separately.

© 2010 Triangle Suspension Systems Inc.

Reyco, Models 86/88/89, Trailer Suspension

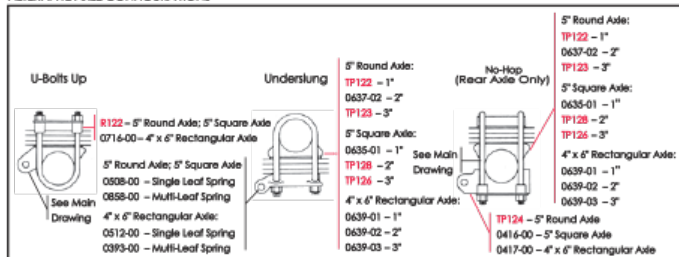


REYCO MODELS 86/88/89 TRAILER SUSPENSION



Note: Kit contains 4 times the number of parts shown.

ALTERNATE AXLE CONFIGURATIONS



Optional Urethane Bushing, **R129U B**, may be purchased separately

Common U-Bolt Options

7/8 x 3 x 14 - round - UBK122
7/8 x 3 x 17 - round - UBK265
7/8 x 3 x 18 - round - UBK133
7/8 x 5 x 12 - round - UBK143
7/8 x 5 x 14 - round - UBK129
7/8 x 5 x 16 - round - UBK263

Note: U-Bolt numbers shown are only the most common. This is not intended to be an all encompassing list.

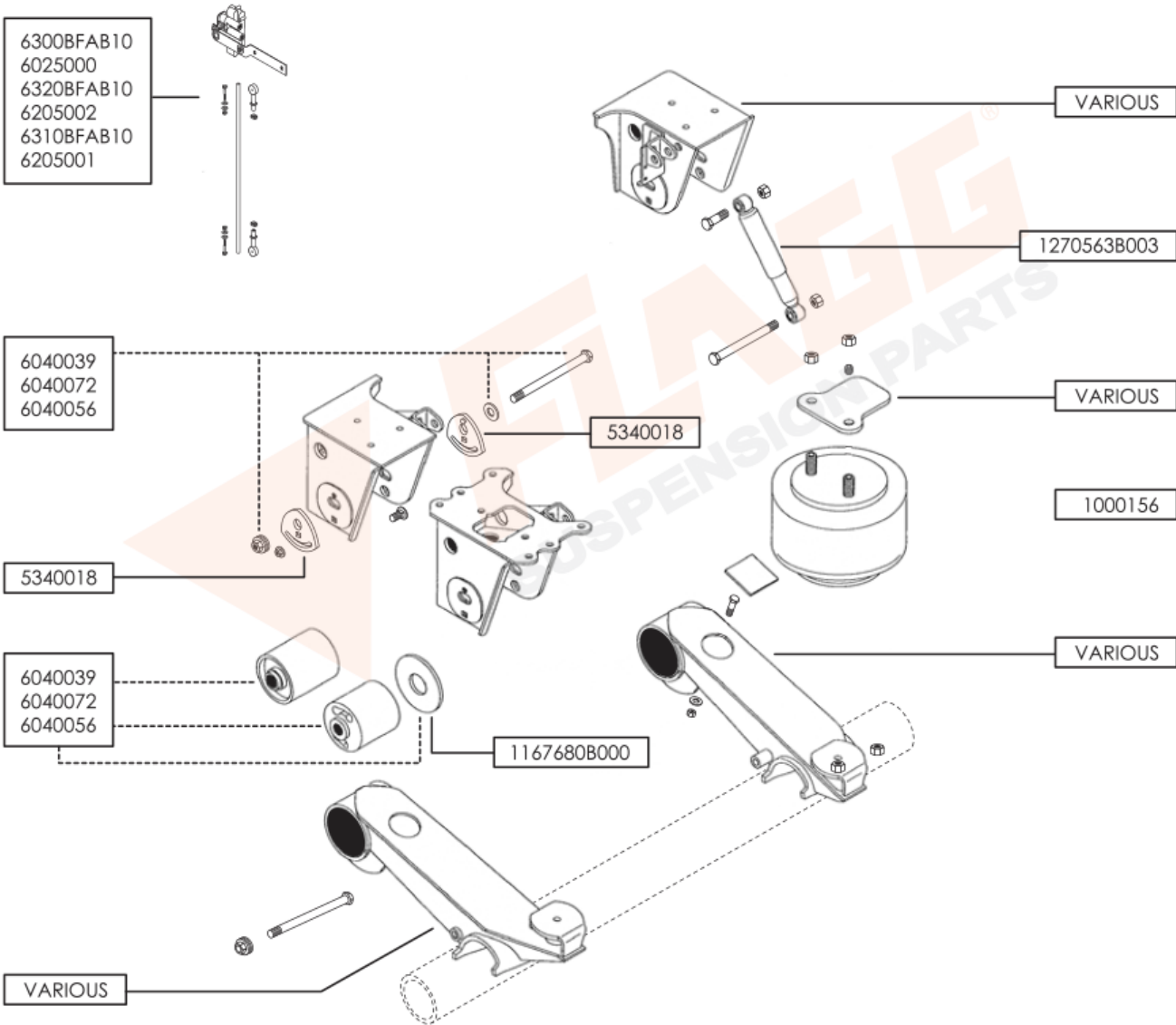
© 2019 Triangle Suspension Systems Inc.

Ridewell, Model RAR200 Ridelite, Trailer Air Suspension



RIDEWELL RAR200 RIDELITE TRAILER AIR SUSPENSION

***BOLD RED NUMBERS REFLECT TRIANGLE PART NUMBERS**
**ITALICIZED BLACK NUMBERS REFLECT OEM NUMBERS (USE FOR REFERENCE ONLY)*



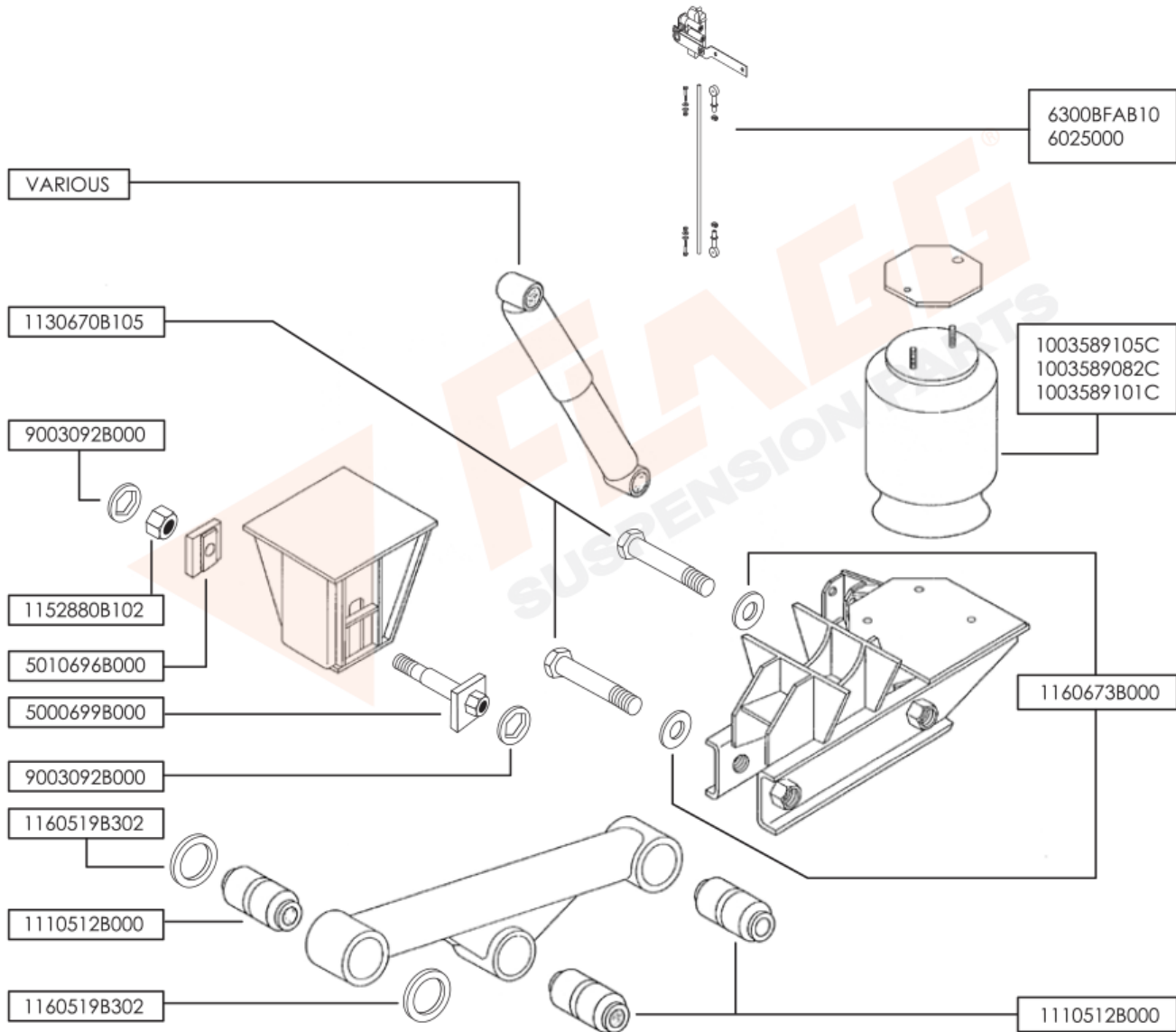
Ridewell, Model RAR221AS, Trailer Air Ride Suspension



RIDEWELL RAR221AS TRAILER AIR RIDE SUSPENSION

***BOLD RED NUMBERS REFLECT TRIANGLE PART NUMBERS**

**ITALICIZED BLACK NUMBERS REFLECT OEM NUMBERS (USE FOR REFERENCE ONLY)*



© 2019 Triangle Suspension Systems Inc.

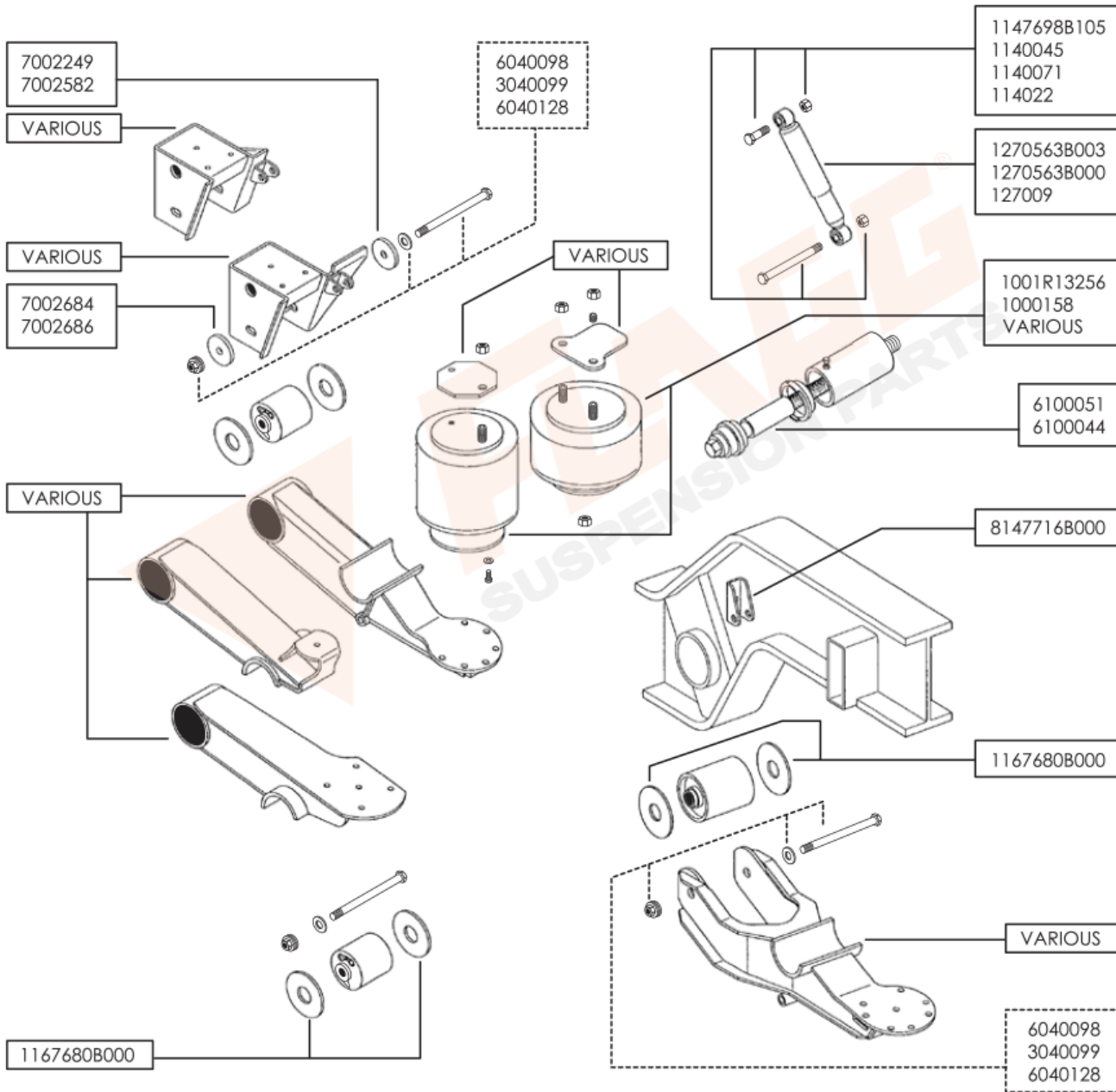
Ridewell, Model RAR260/266, Trailer Air Suspension



RIDEWELL RAR260/266 TRAILER AIR SUSPENSIONS

***BOLD RED NUMBERS REFLECT TRIANGLE PART NUMBERS**

**ITALICIZED BLACK NUMBERS REFLECT OEM NUMBERS (USE FOR REFERENCE ONLY)*



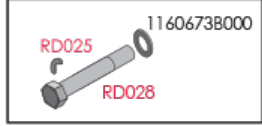
© 2019 Triangle Suspension Systems Inc.

Ridewell, RAR-240/247 Monopivot, Trailer Suspension



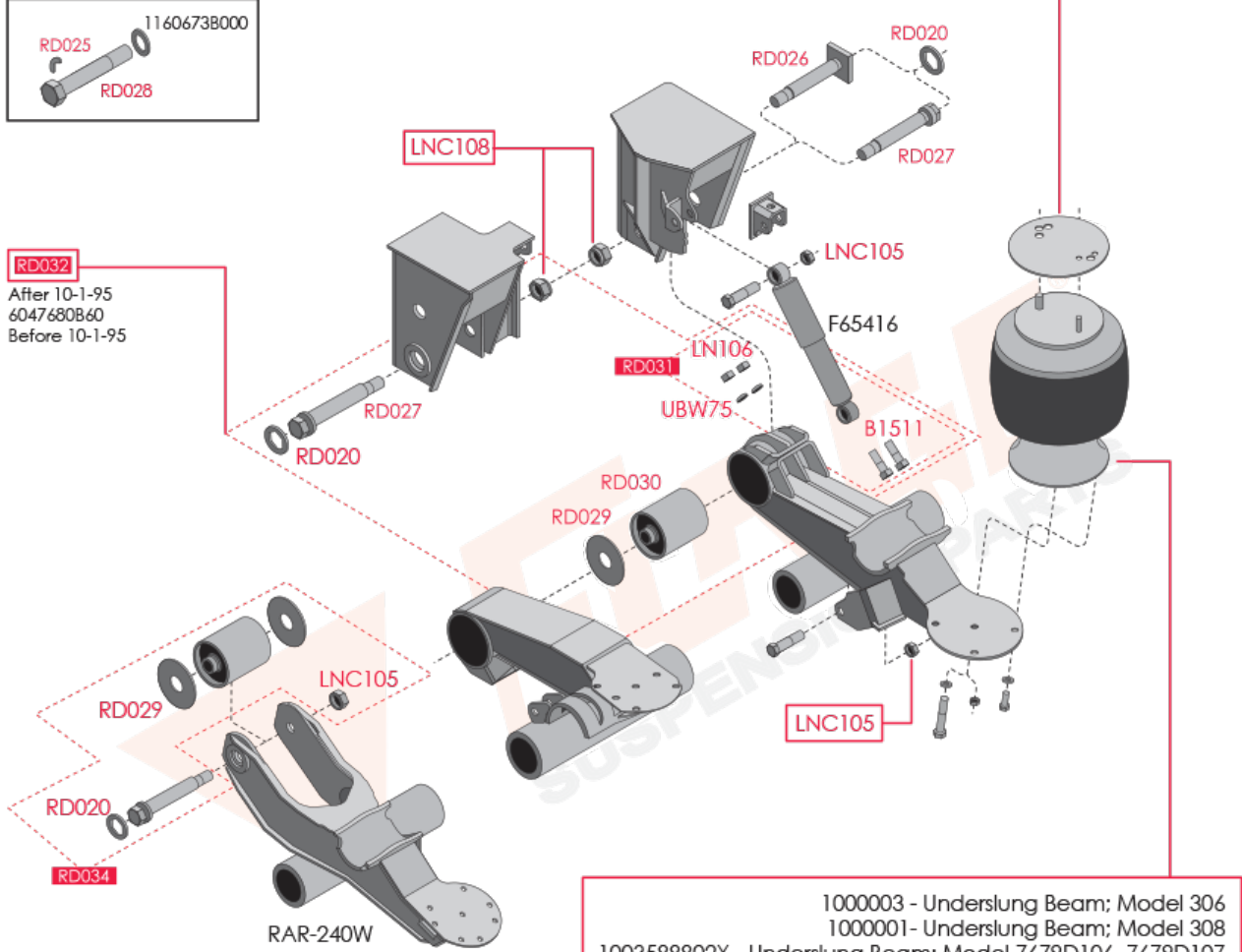
RIDEWELL RAR-240/247 MONOPIVOT TRAILER SUSPENSION

MODELS BEFORE 10-1-95



3507679B000 – Before 10-1-95
7007670B000 – Before 10-1-95
7000407 – After 10-1-95

RD032
After 10-1-95
6047680B60
Before 10-1-95



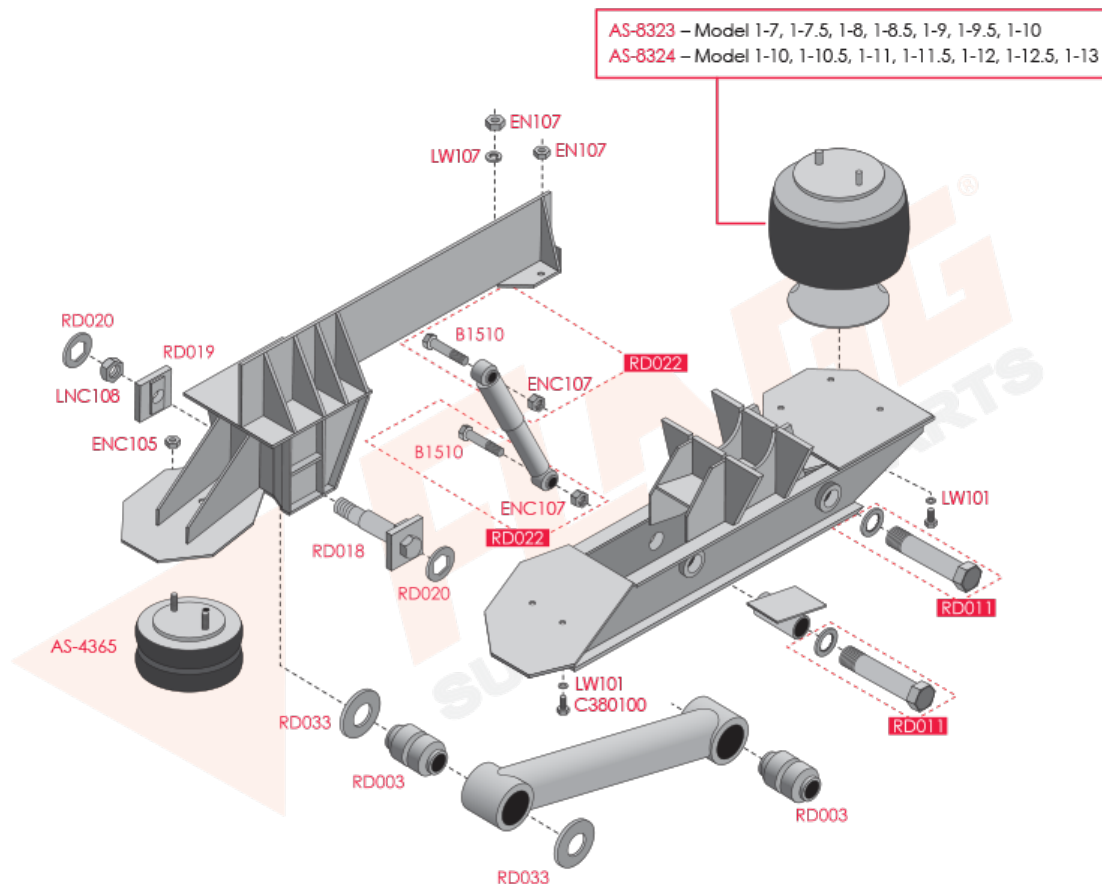
RAR-240W

- 1000003 - Underslung Beam; Model 306
- 1000001 - Underslung Beam; Model 308
- 1003588802X - Underslung Beam; Model 7679D106, 7679D107
- AS-8310 - Underslung Beam; Model 7679D108, 7679D110, 7679D112, 7744D108, 7744D110
- AS-8315 - Underslung Beam; Model 7679D113, 7744D112
- 6040009 - Underslung Beam; Model 7744D106
- AS-8345 - Underslung Beam; Model 7744D107
- AS-8361 - Underslung Beam; Model 7744D113
- 6040010 - Underslung Beam; Model 7744D306
- 1003589010B - Underslung Beam; Model 7744D307
- 1003589082B - Underslung Beam; Model 7744D308
- 1001R13097B - Underslung Beam; Model 7754D106
- 1001R13097B - Underslung Beam; Model 7754D107
- 100008050G - Overslung Beam; Model 2400001, 2400002, 2400003, 2400004, 2400005, 2400006
- AS-8515 - Overslung Beam; Model 7680D114, 7680D115, 7680D116, 7680D117, 7739D114, 7739D115, 7739D116, 7739D117
- 1001R13109G - Overslung Beam; Model 7739D119, 7739D121, 7739D124

Ridewell, RUA-220B, Universal Air Ride, Air Lift, Trailer Suspension



RIDEWELL RUA-220B, UNIVERSAL AIR RIDE/AIR LIFT TRAILER SUSPENSION



© 2019 Triangle Suspension Systems Inc.

Suspension Application Guide

Table of Contents by Vehicle Application Type

~~ SAF Holland Neway Trailer Suspension ~~	Page
SAF Holland Neway CB400 - 4000	117
SAF Holland Neway, Airlite 2	118
SAF Holland Neway, AR-41, AR-45, AR-45-1, AS-75, AR-85	119
SAF Holland Neway, AR-75, AR-85-A	120
SAF Holland Neway, AR-955, AR-955-HD, AR-955-A, AR-955-A-HD	121
SAF Holland Neway, Models AR-50-US, US-F, US-F-A, US-F-2; AR-51-US	122
SAF Holland Neway, Models AR-70-9, -14; AR-95-9, -12, -14, -17	123
SAF Holland Neway, Models AR-70-A-9, -14; AR-95-A-9, -12, -14, -17	124
SAF Holland Neway, Models AR75-12, AR75-1-12	125
SAF Holland Neway, Models AR-80-6.75, -9, AR-80-9-WST	126
SAF Holland Neway, Models AR90, AR90-1, AR92, AR93	127
SAF Holland Neway, Models RL-196, RL-196A	128
SAF Holland Neway, Models SB-360-B, SB-500-B, SB-1600-B, SB-660-A	129
SAF Holland Neway, Models TR-8540, T8750, TR-8900, TR8540, TR8600 Tri-Axle	130
SAF Holland Neway, Models TR-4100-B Quad Axle	131
SAF Holland Neway, RL-250	132

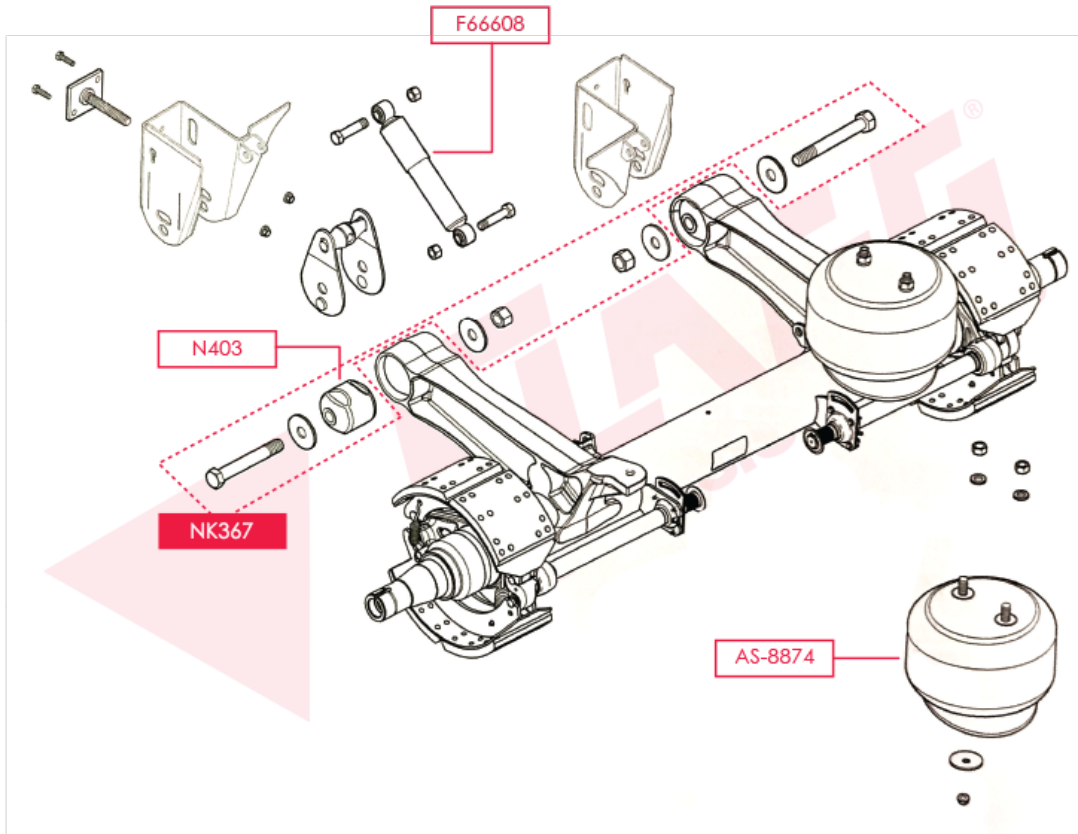
SAF Holland Neway CB400 - 4000, Trailer Suspension



SAF HOLLAND NEWAY CB400-4000 TRAILER SUSPENSION

***BOLD RED NUMBERS REFLECT TRIANGLE PART NUMBERS**

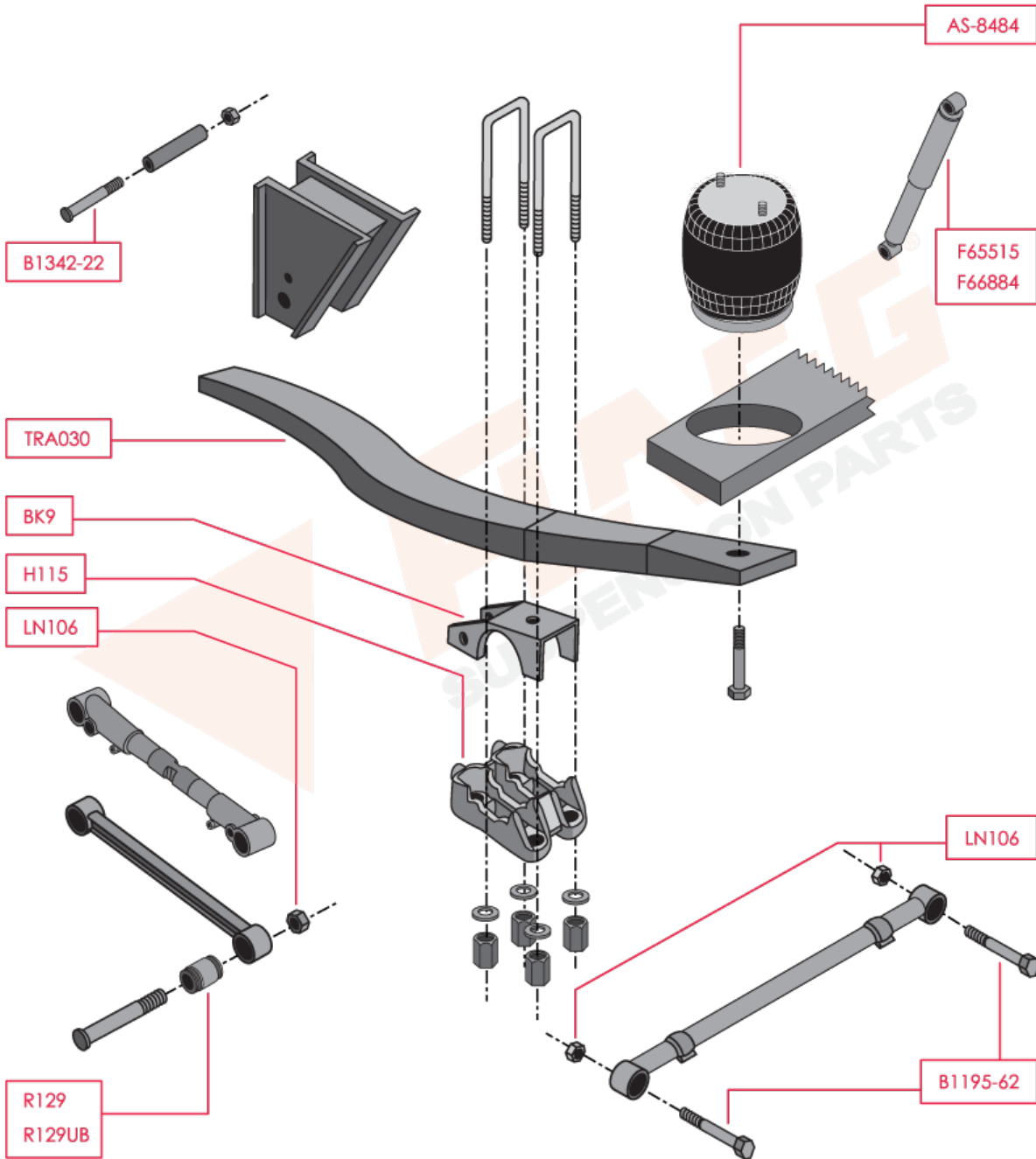
**ITALICIZED BLACK NUMBERS REFLECT OEM NUMBERS (USE FOR REFERENCE ONLY)*



SAF Holland Neway, Airlite 2, Trailer Suspension



SAF/HOLLAND/NEWAY AIRLITE 2 TRAILER SUSPENSION

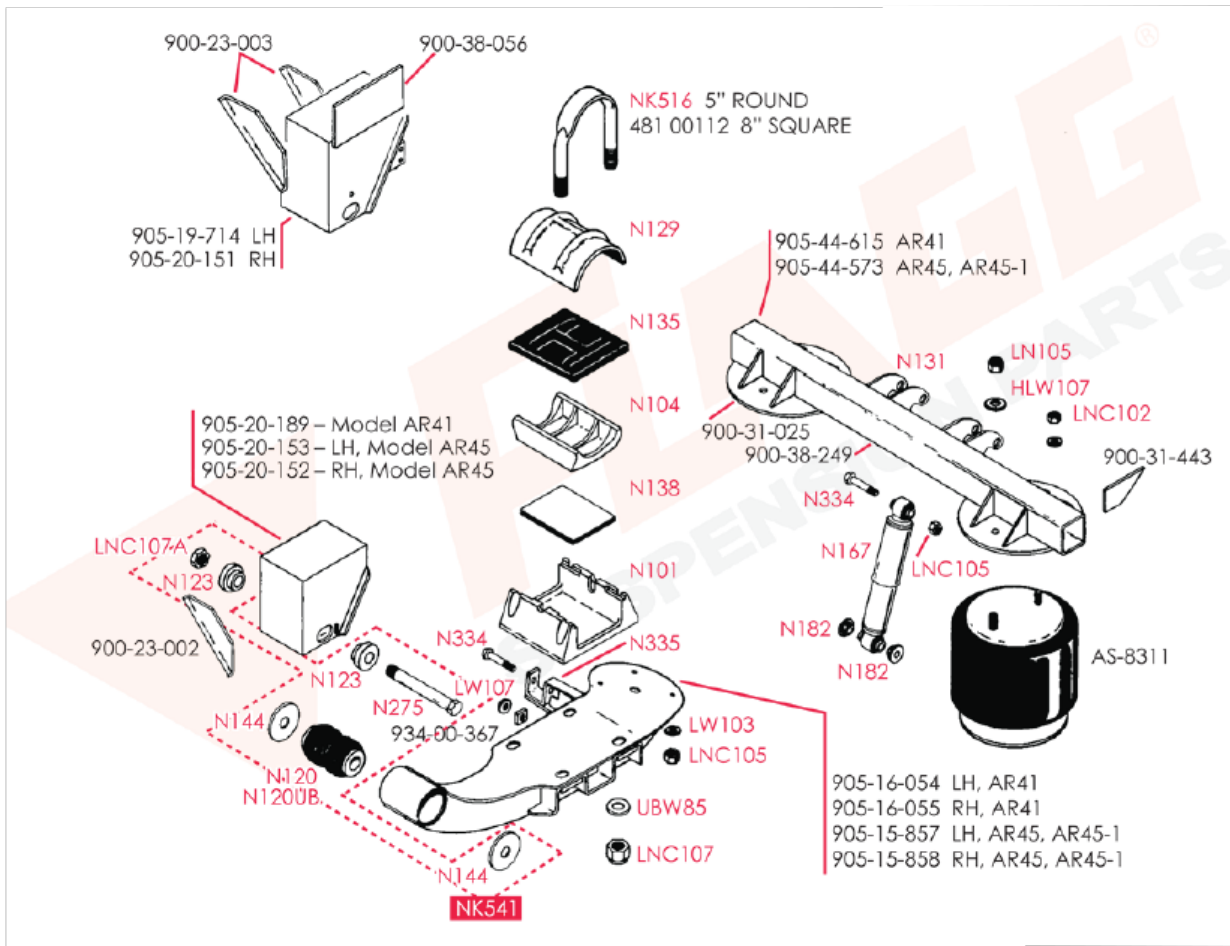


© 2016 Triangle Suspension Systems Inc.

SAF Holland Neway, AR-41, AR-45, AR-45-1, AS-75, AR-85, Trailer Suspension

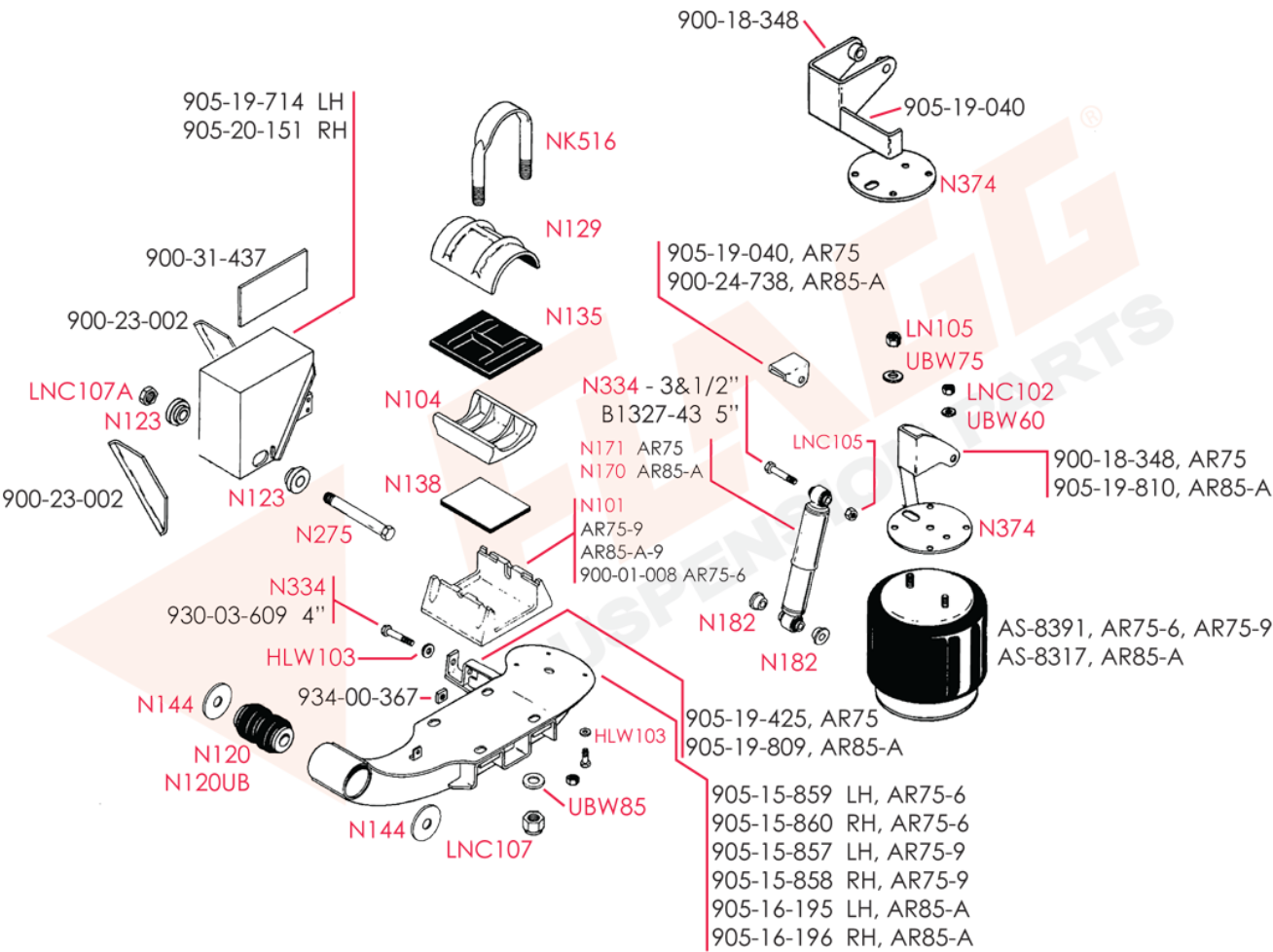


SAF HOLLAND NEWAY AR-41, AR-45, AR-45-1, AR-75, AR-85 TRAILER SUSPENSION



© 2019 Triangle Suspension Systems Inc.

SAF Holland Neway, AR-75, AR-85-A, Trailer Suspension



SAF Holland Neway, AR-955, AR-955-HD, AR-955-A, AR-955-A-HD, Trailer Suspension

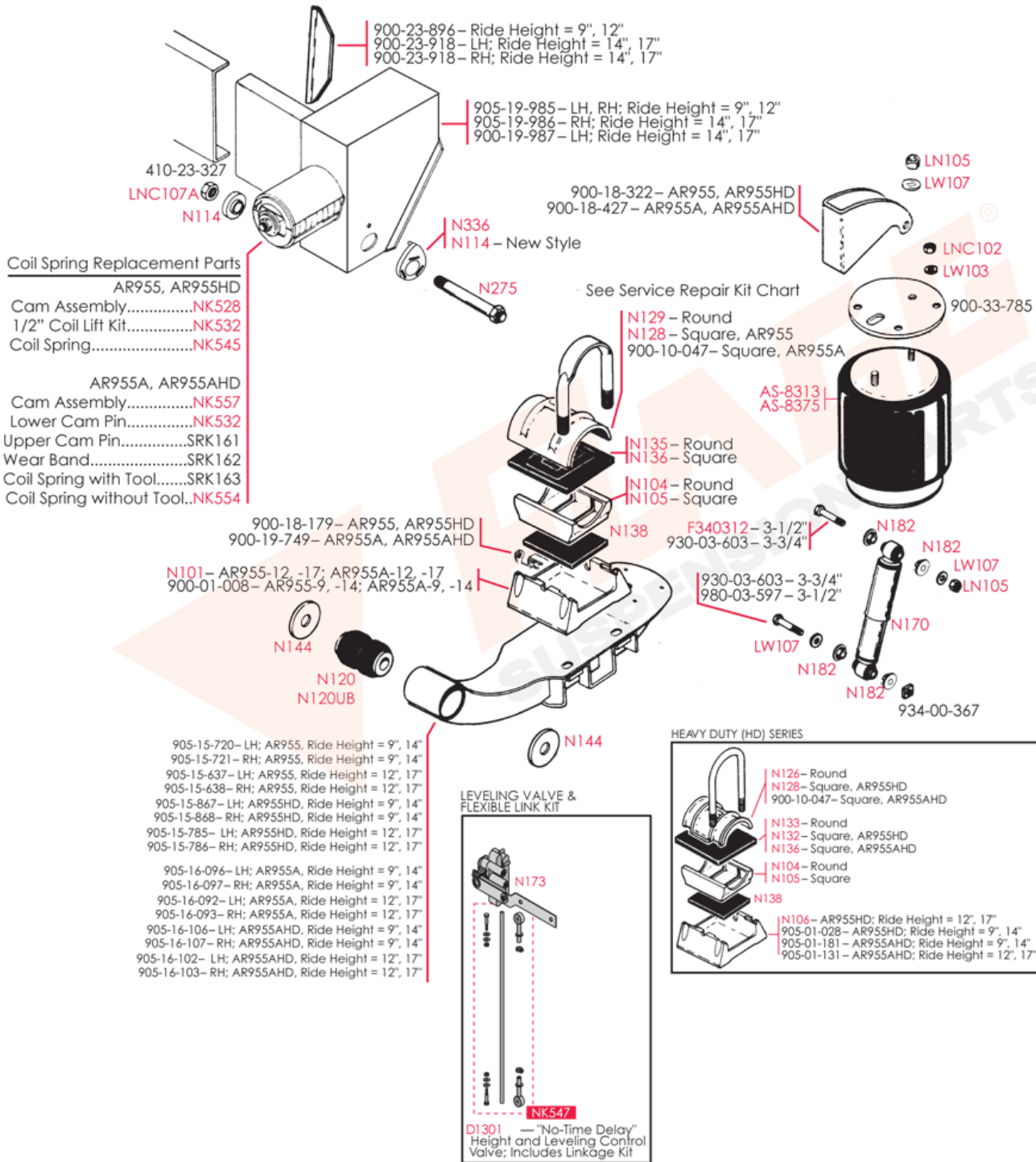


SERVICE REPAIR KITS

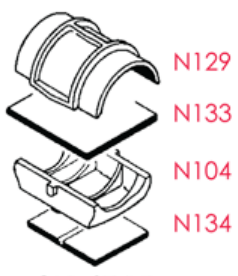
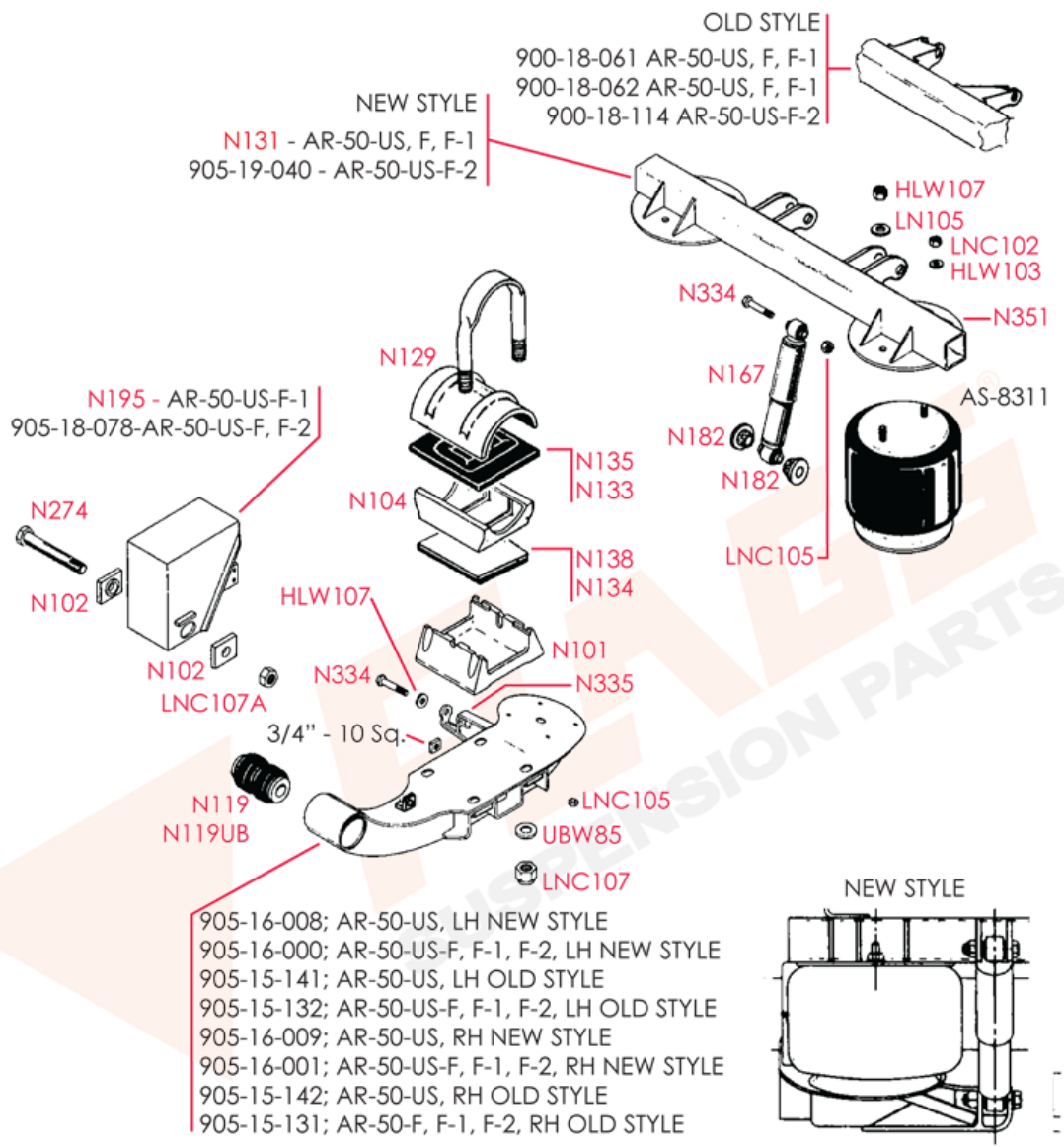
Pivot Connection Kit	Axle Connection Kits			
	5" Round Ride Height = 9", 14"	5" Round, HD Ride Height = 9", 14"	5" Round Ride Height = 12", 17"	20" Wheels 5" Square Ride Height = 12", 17"
NK541*	NK537	SRK132	NK516	—
—	—	—	—	SRK68

* All Models

Note: One Kit Per Axle



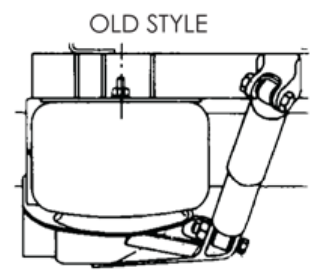
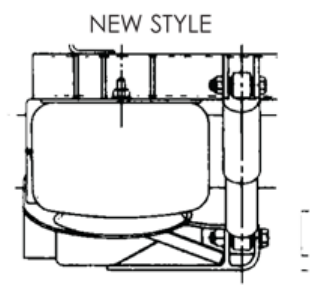
SAF Holland Neway, Models AR-50-US, US-F, US-F-A, US-F-2; AR-51-US, Trailer Suspension



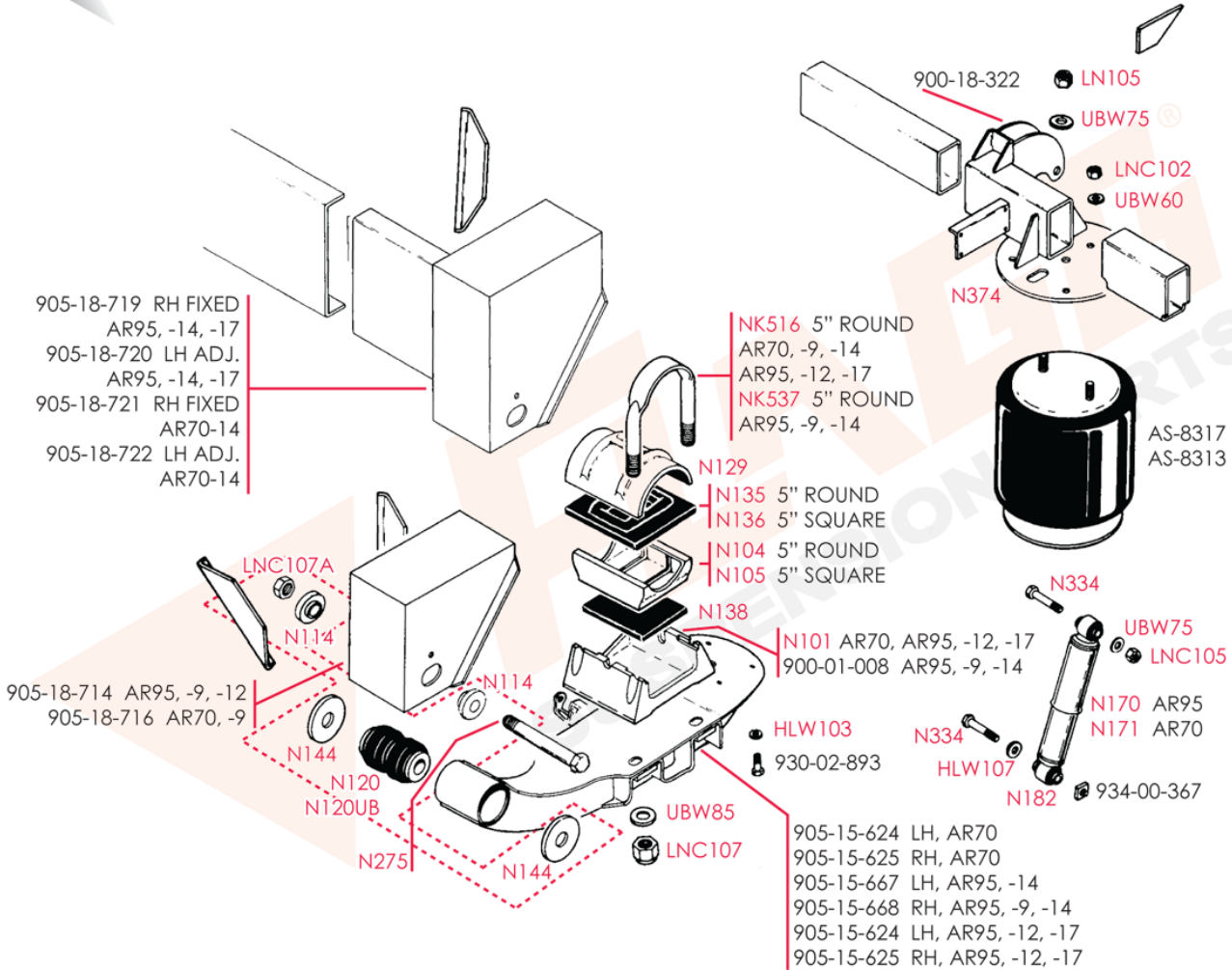
OLD STYLE
 5" Rd. & 5" Sq.



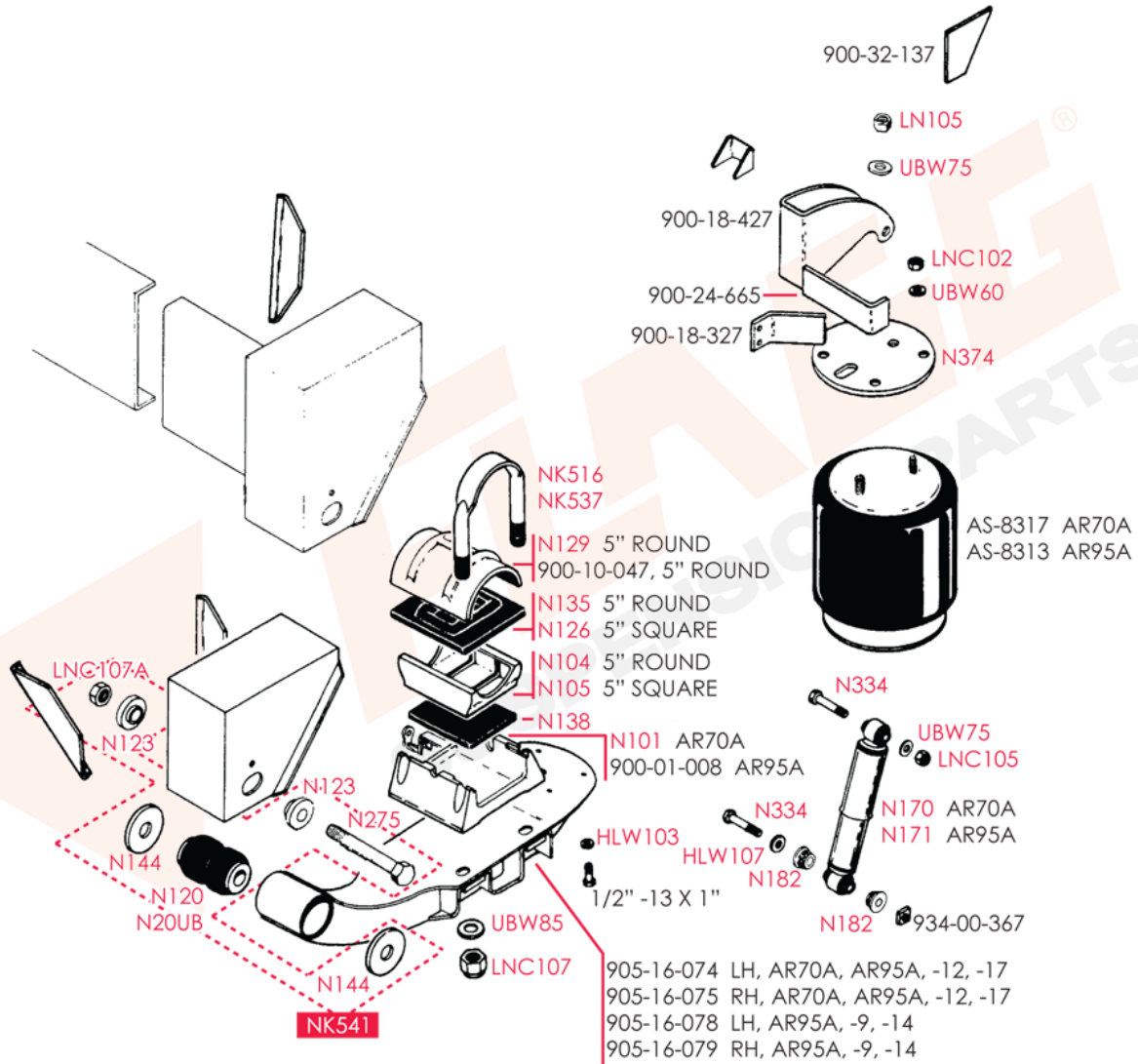
NEW STYLE
 5" Rd. & 5" Sq.



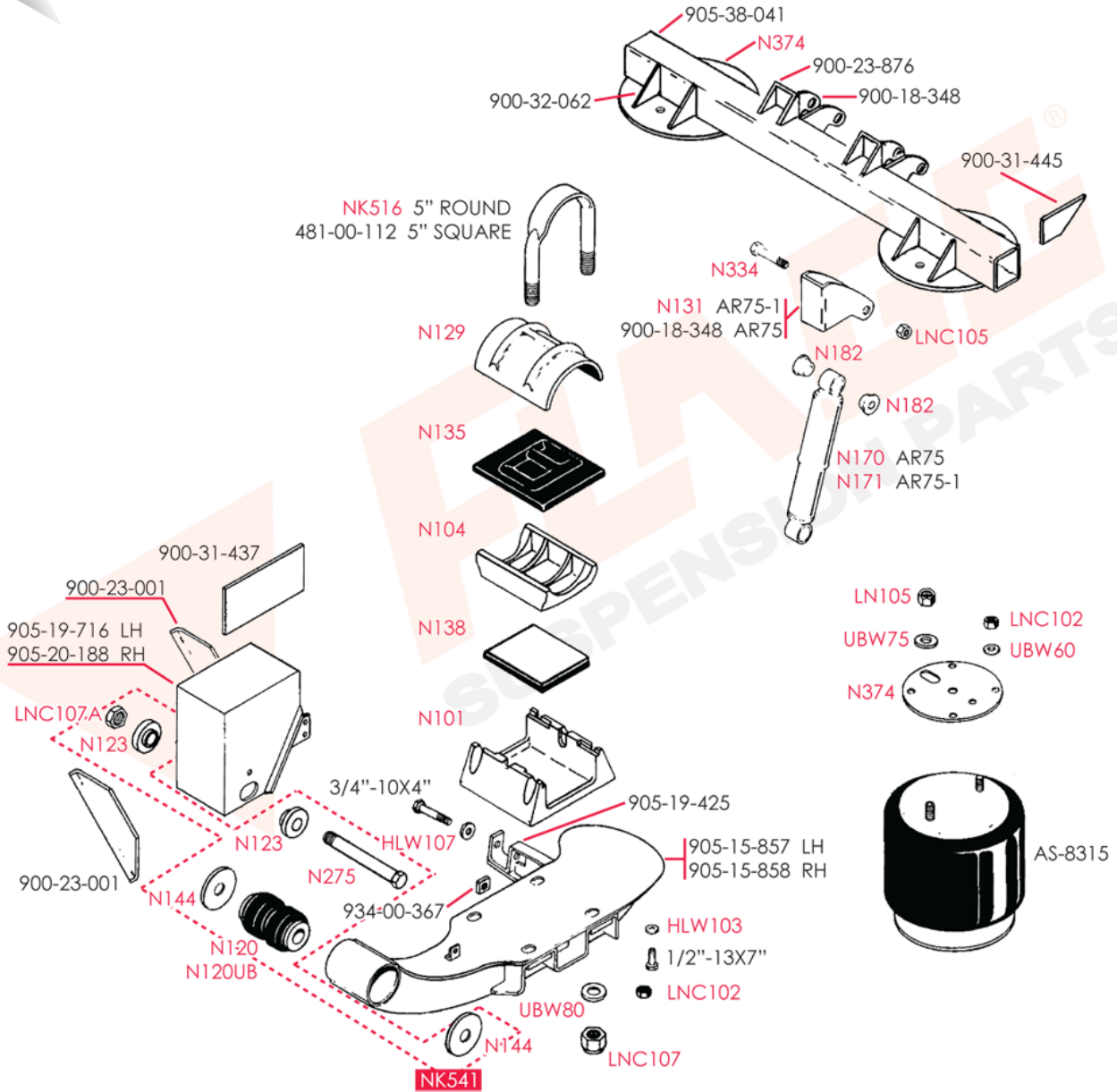
SAF Holland Neway, Models AR-70-9, -14; AR-95-9, -12, -14, -17, Trailer Suspension



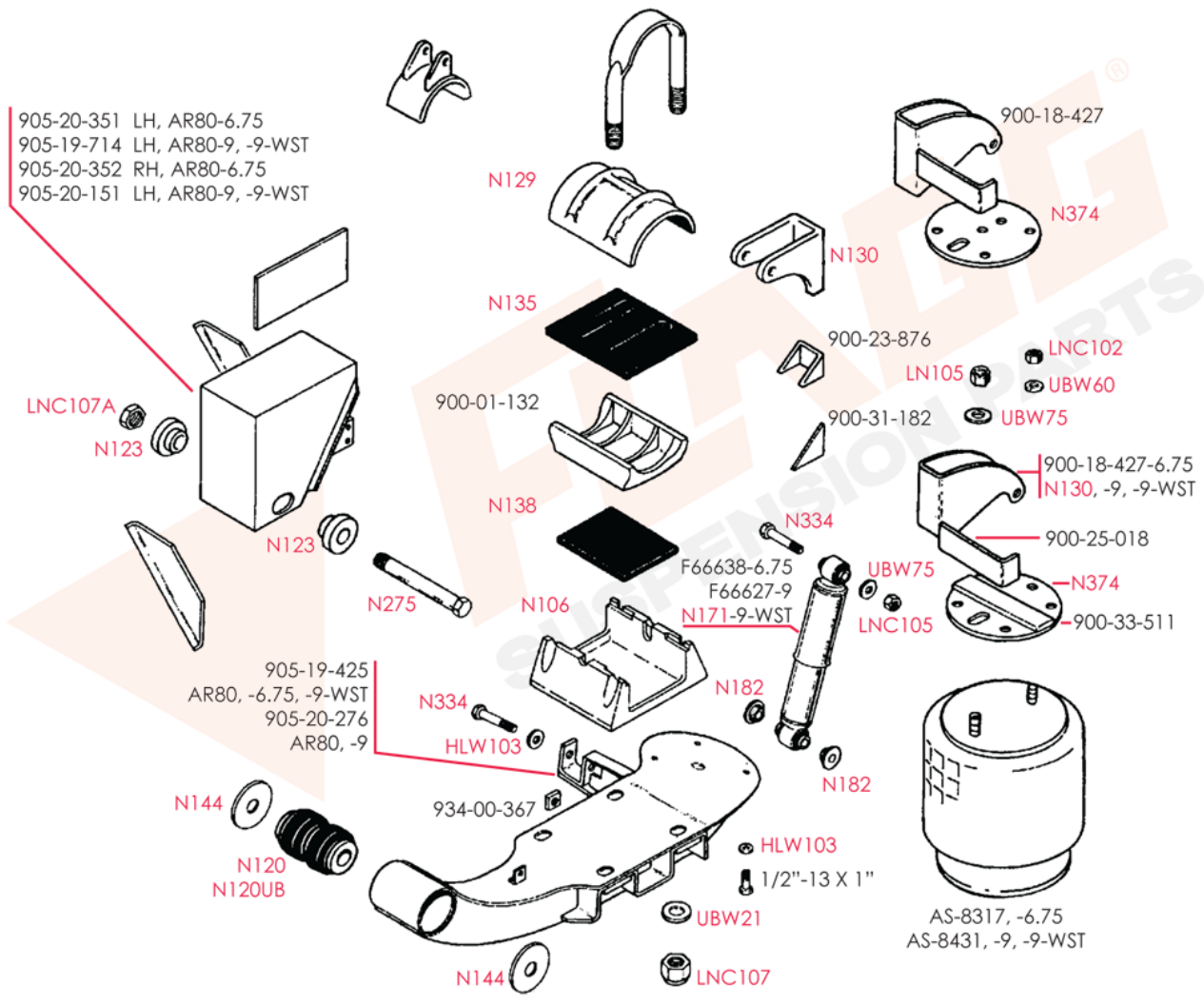
SAF Holland Neway, Models AR-70-A-9, -14; AR-95-A-9, -12, -14, -17, Trailer Suspension



SAF Holland Neway, Models AR75-12, AR75-1-12, Trailer Suspension



SAF Holland Neway, Models AR-80-6.75, -9, AR-80-9-WST, Trailer Suspension



SAF Holland Neway, Models AR90, AR90-1, AR92, AR93, AR250 Trailer Suspension

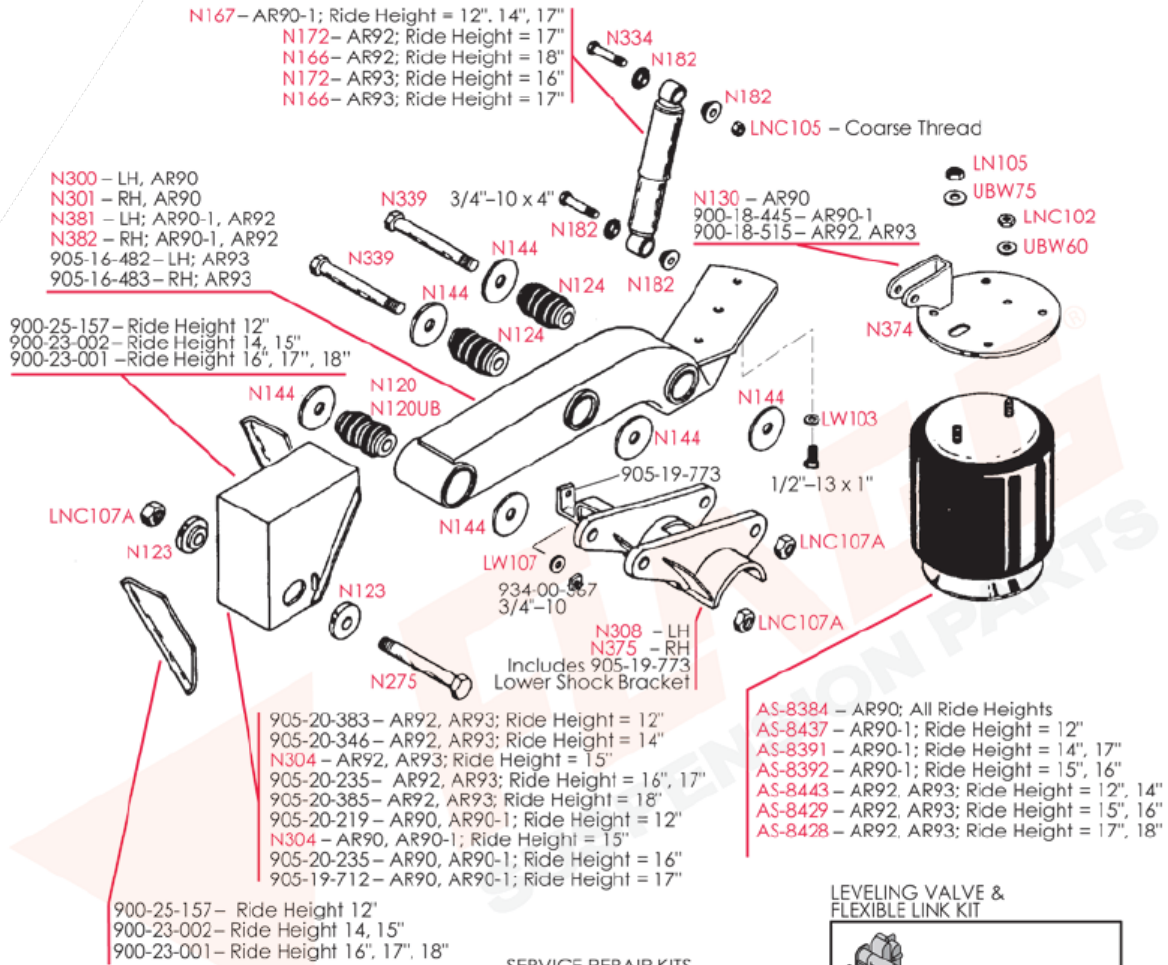


SAF HOLLAND NEWAY

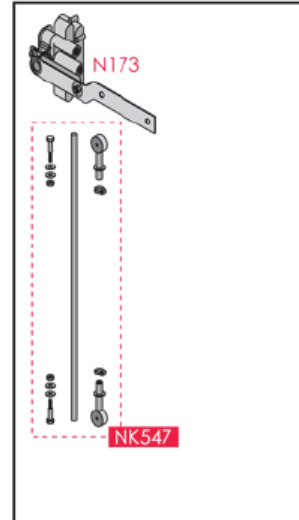
AR90, AR90-1, AR92, AR93, AR250
TRAILER SUSPENSION

***BOLD RED NUMBERS REFLECT TRIANGLE PART NUMBERS**

**ITALICIZED BLACK NUMBERS REFLECT OEM NUMBERS (USE FOR REFERENCE ONLY)*



LEVELING VALVE & FLEXIBLE LINK KIT



SERVICE REPAIR KITS

Pivot Connection Kit	20" Wheels Axle Connection Kit For 5" Rd. Axle
NK541 -SRK145	NK544 -SRK149

Note: One Kit Per Axle

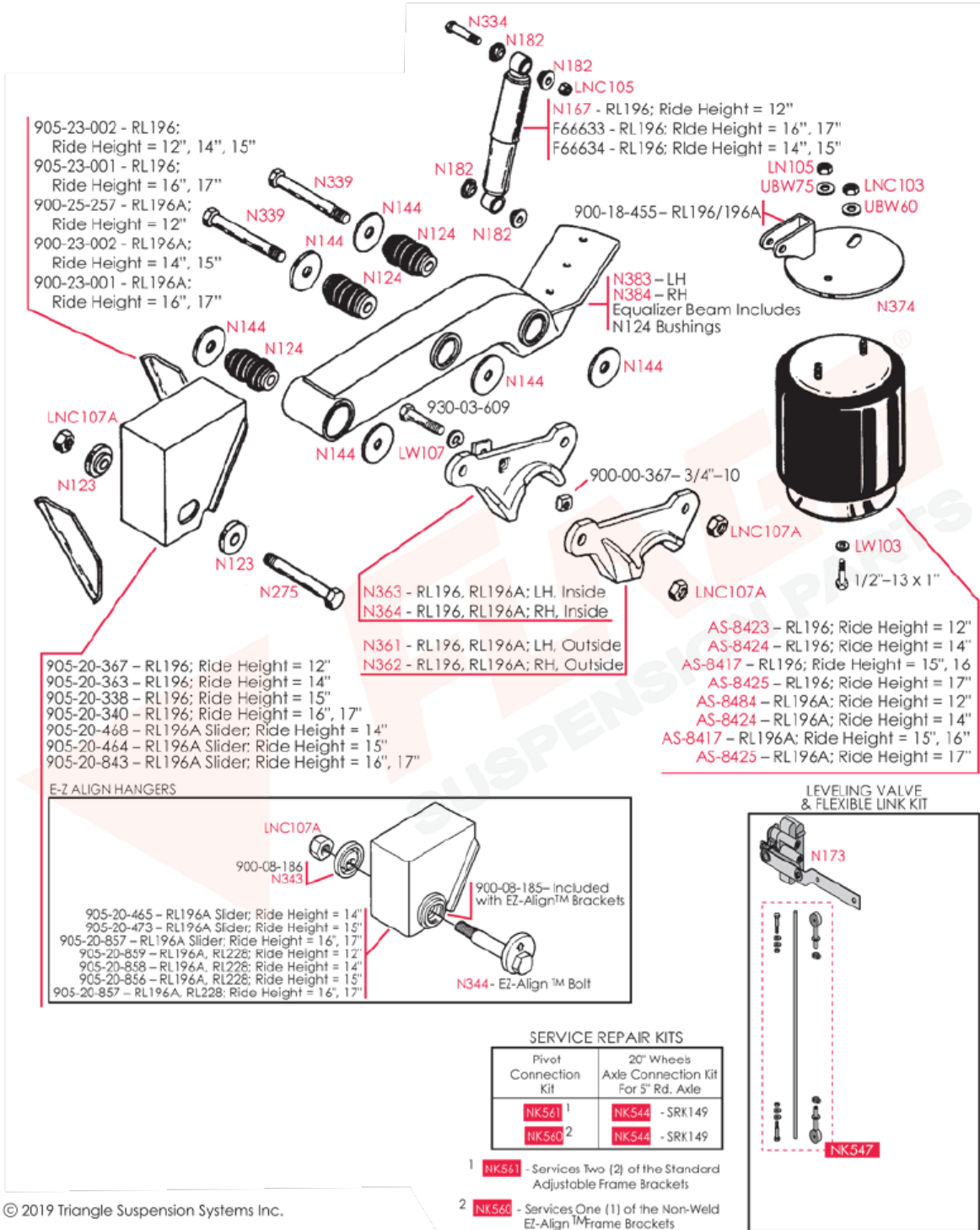
SAF Holland Neway, Models RL-196, RL-196A/228/230/300 Trailer Suspension



SAF HOLLAND NEWAY RL-196, RL-196A/228/230/300 TRAILER SUSPENSION

***BOLD RED NUMBERS REFLECT TRIANGLE PART NUMBERS**

**ITALICIZED BLACK NUMBERS REFLECT OEM NUMBERS (USE FOR REFERENCE ONLY)*



SAF Holland Neway, Models SB-360-B, SB-500-B/600B/660HDA, SB-1600-B, SB660-A, Trailer Suspension

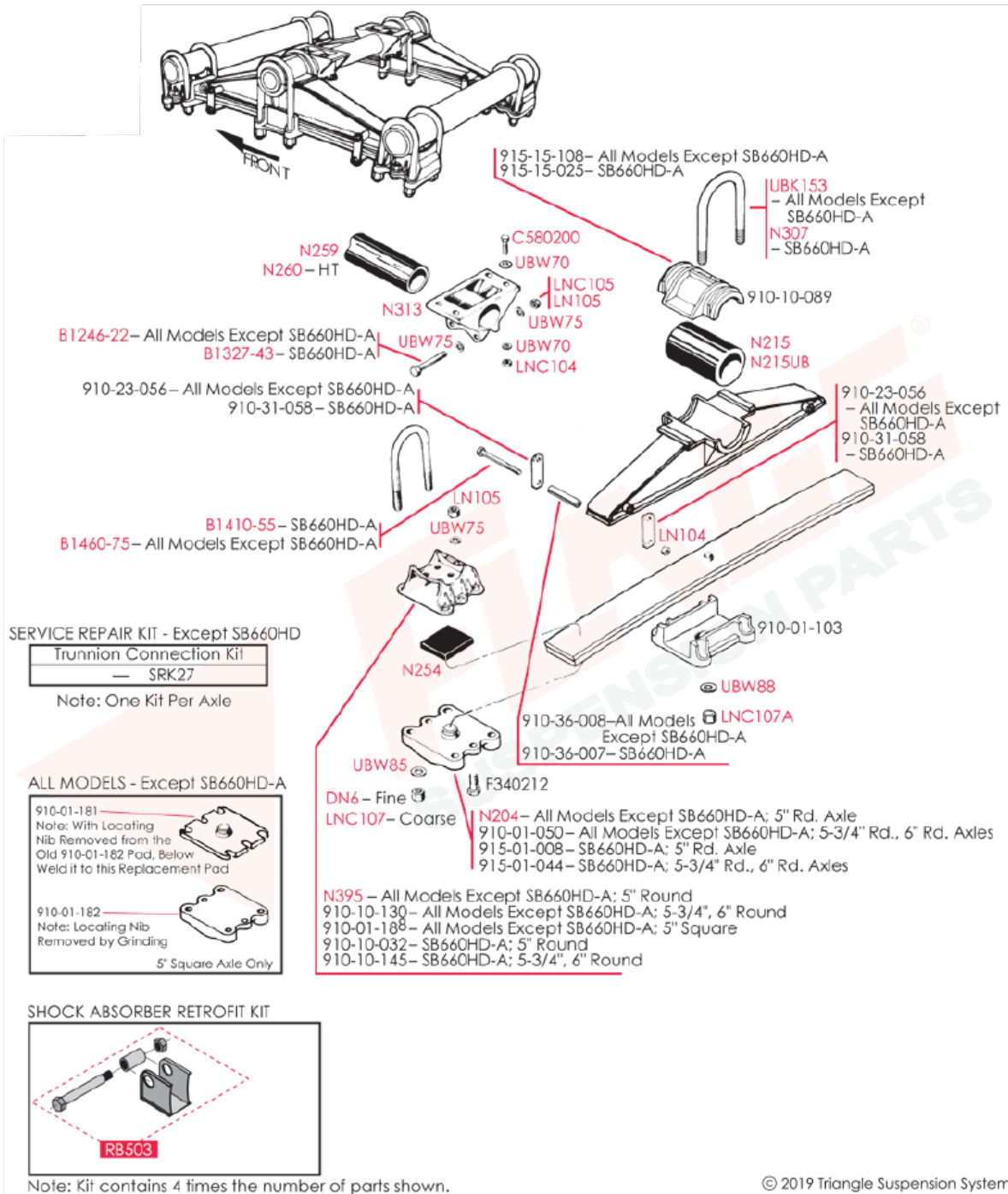


SAF HOLLAND NEWAY

SB-360-B, SB-500-B/600B/660HDA, SB-1600-B, SB660-A TRAILER SUSPENSION

***BOLD RED NUMBERS REFLECT TRIANGLE PART NUMBERS**

**ITALICIZED BLACK NUMBERS REFLECT OEM NUMBERS (USE FOR REFERENCE ONLY)*



SAF Holland Neway, Models T8540, T8750, T8900, TR8540, TR8600, Tri-Axle, Trailer Suspension

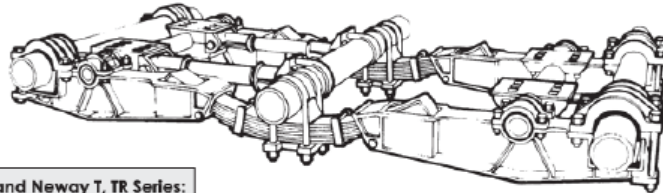


SAF HOLLAND NEWAY

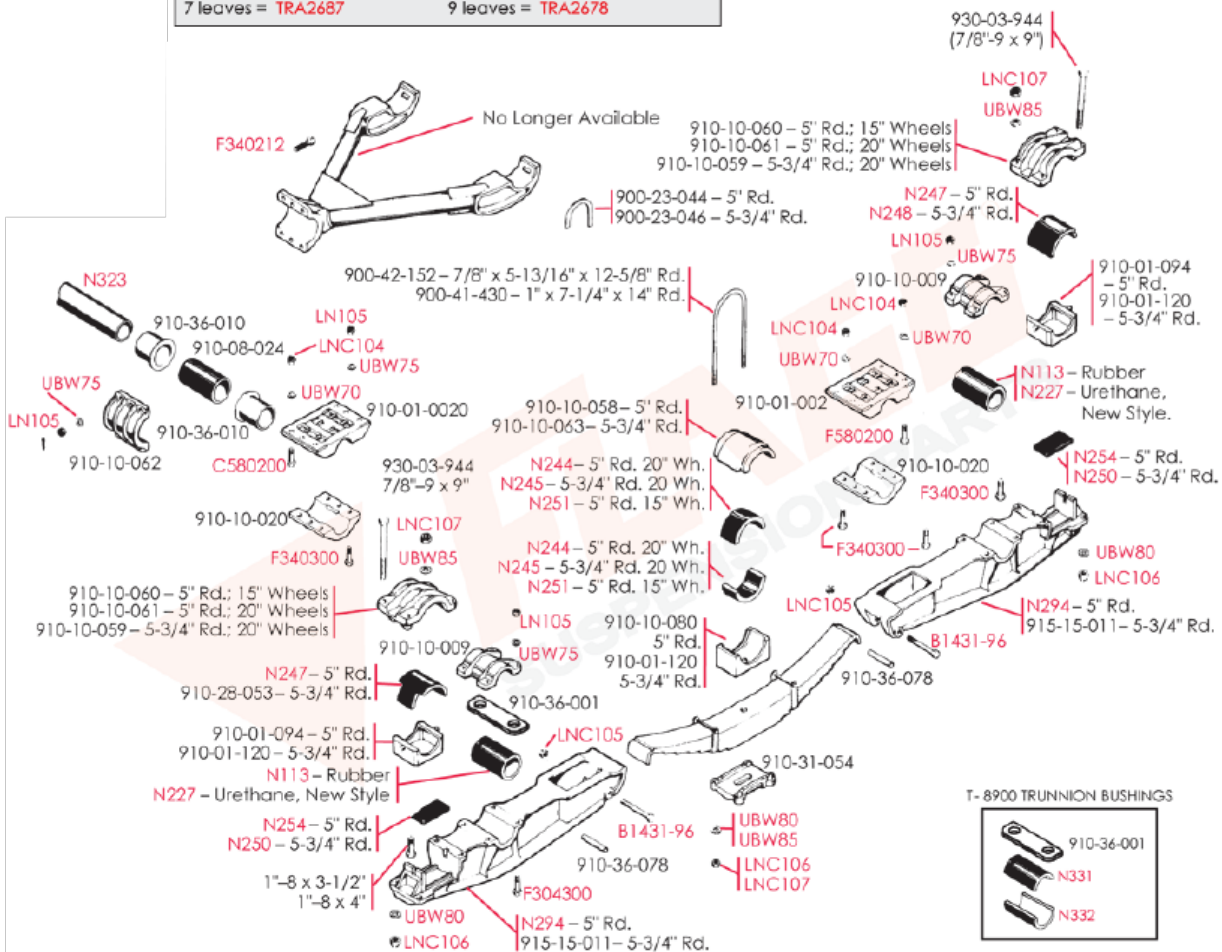
MODELS T8540, T8750, T8900, TR8540, TR8600, TRI-AXLE TRAILER SUSPENSION

***BOLD RED NUMBERS REFLECT TRIANGLE PART NUMBERS**

**ITALICIZED BLACK NUMBERS REFLECT OEM NUMBERS (USE FOR REFERENCE ONLY)*



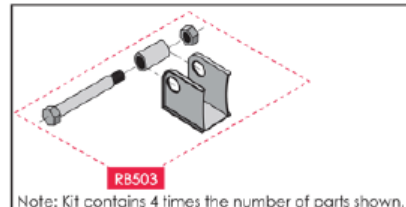
Most common spring(s) used for SAF Holland Neway T, TR Series:
 7 leaves = **TRA2687** 9 leaves = **TRA2678**



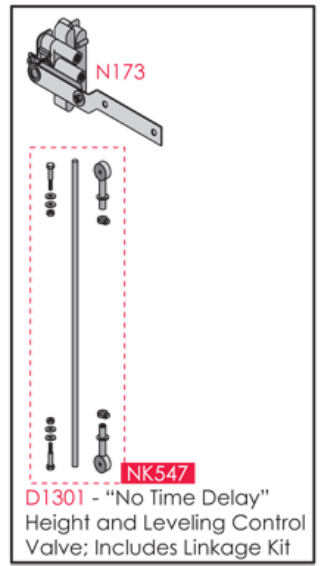
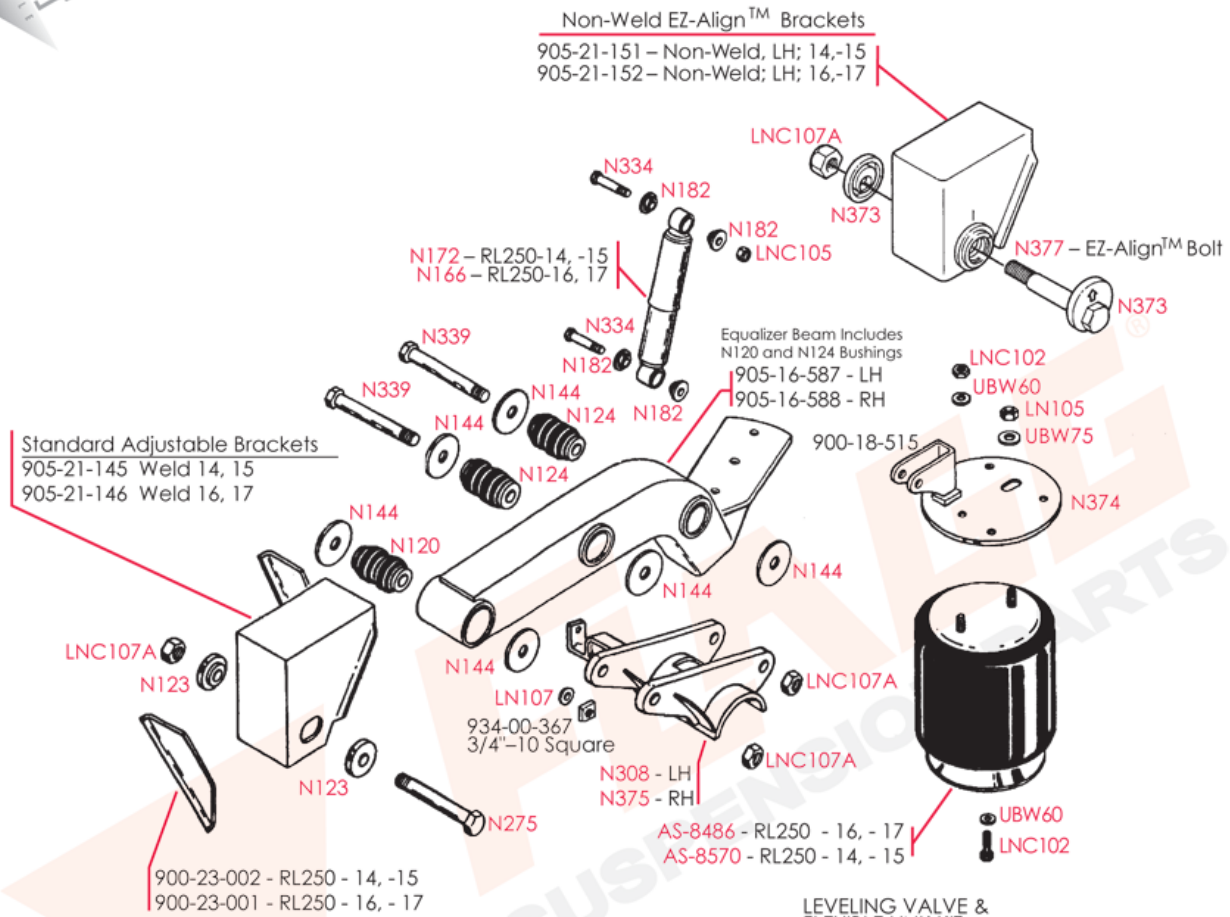
SERVICE REPAIR KITS

Center Axle Connection Kits			H.D. Fiber Trunnion Kit (Old Style Two Piece Bushing)	Trunnion and End Axle Connection Kits	
15" Wheels	20" Wheels			5" Rd. Axle	5/3/4" Rd. Axle
5" Rd. Axle	5" Rd. Axle	5-3/4" Rd. Axle	NK525 - SRK88	NK510 - SRK38	SRK40
SRK42	SRK44	SRK45			

SHOCK ABSORBER RETROFIT KIT



SAF Holland Neway, RL-250, Trailer Suspension

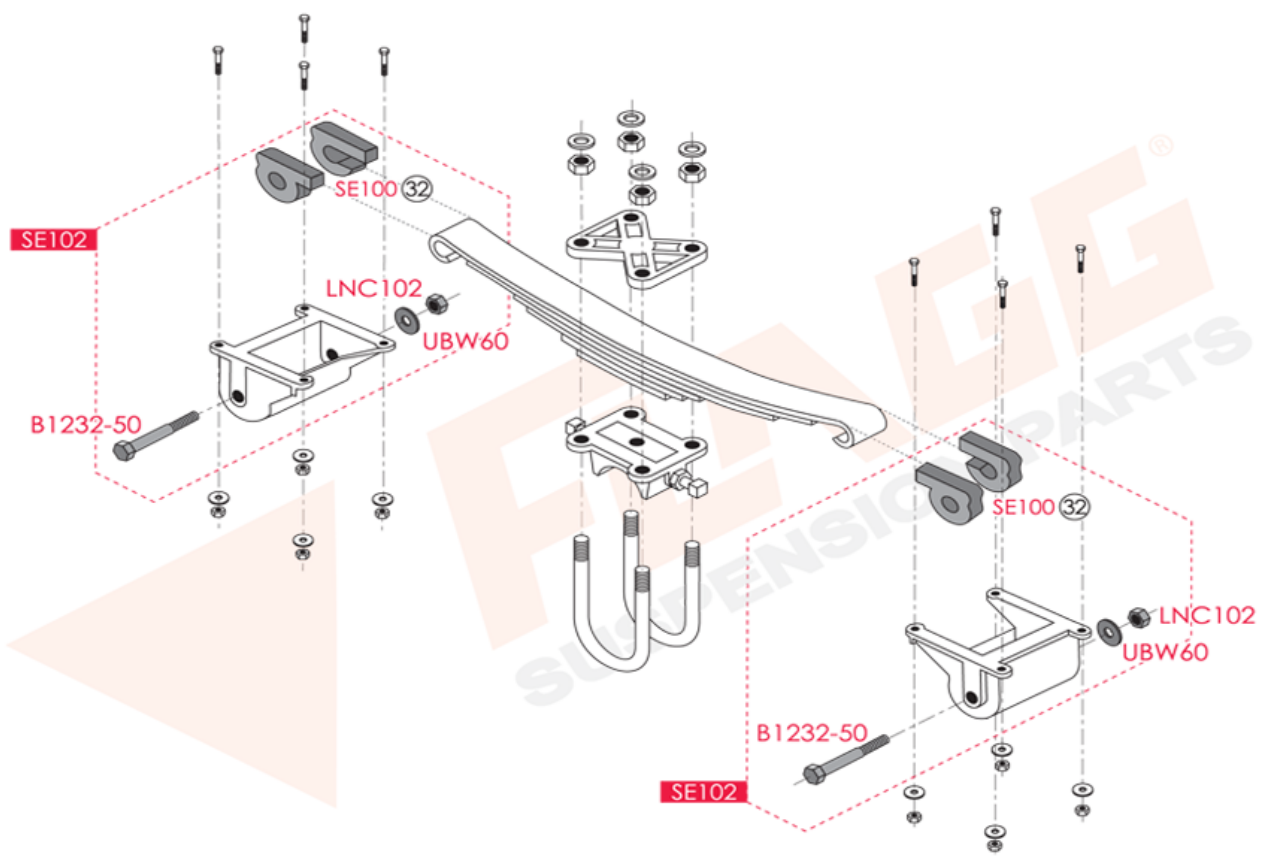


Silver Eagle, Single Axle, Rear, Trailer Suspension

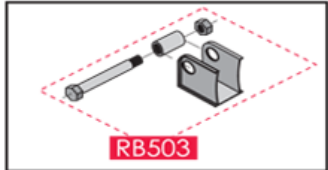
SILVER EAGLE SINGLE AXLE REAR TRAILER SUSPENSION



Most common spring(s) used for Silver Eagle Single Axle Rear Suspension:
REB/2/5 leaves = TRA3403



SHOCK ABSORBER RETROFIT KIT



Note: Kit contains 4 times the number of parts shown.

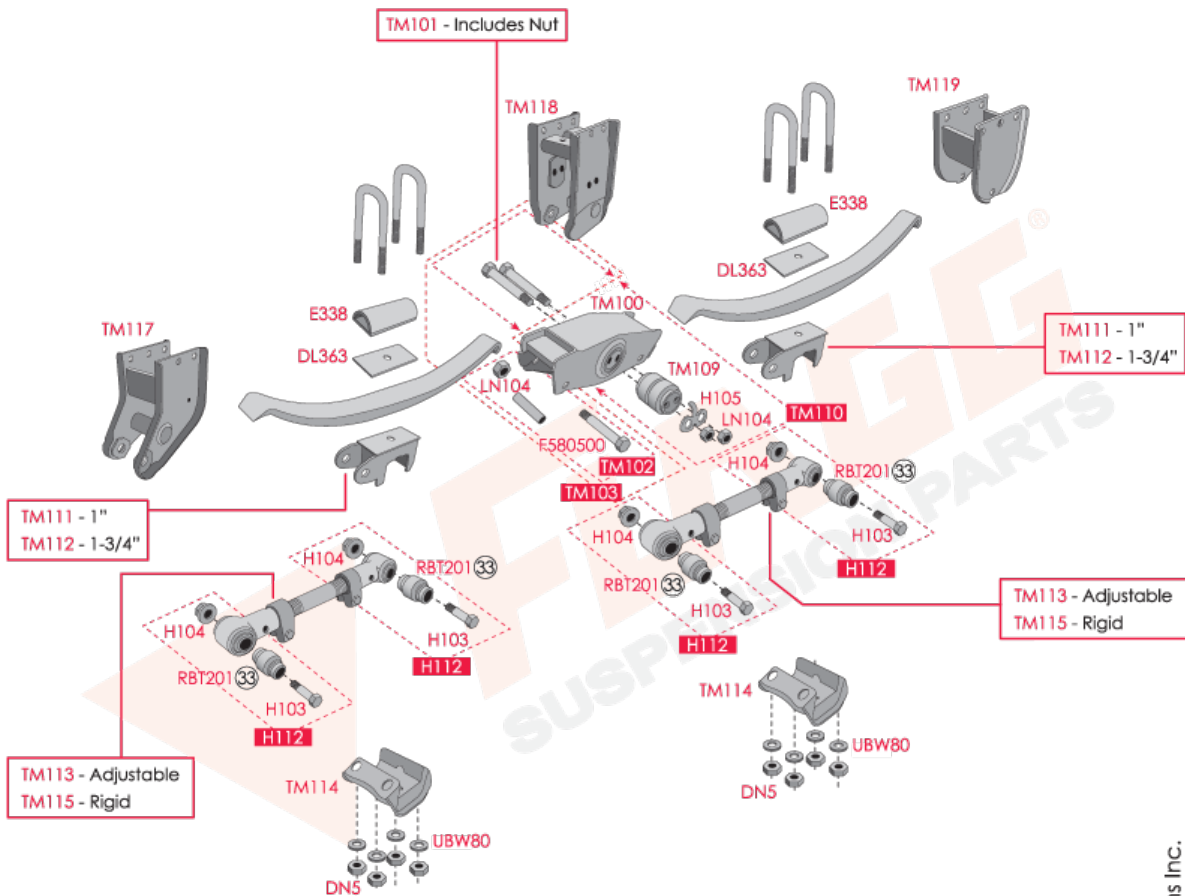
Ⓣ Optional Urethane Boots, SE100UB, SE101UB, may be purchased separately

© 2010 Triangle Suspension Systems Inc.

Trailmobile, Late Model 4-Spring, Trailer Suspension

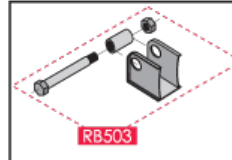


TRAILMOBILE LATE MODEL 4-SPRING TRAILER SUSPENSION



© 2014 Triangle Suspension Systems Inc.

SHOCK ABSORBER RETROFIT KIT



Note: Kit contains 4 times the number of parts shown.

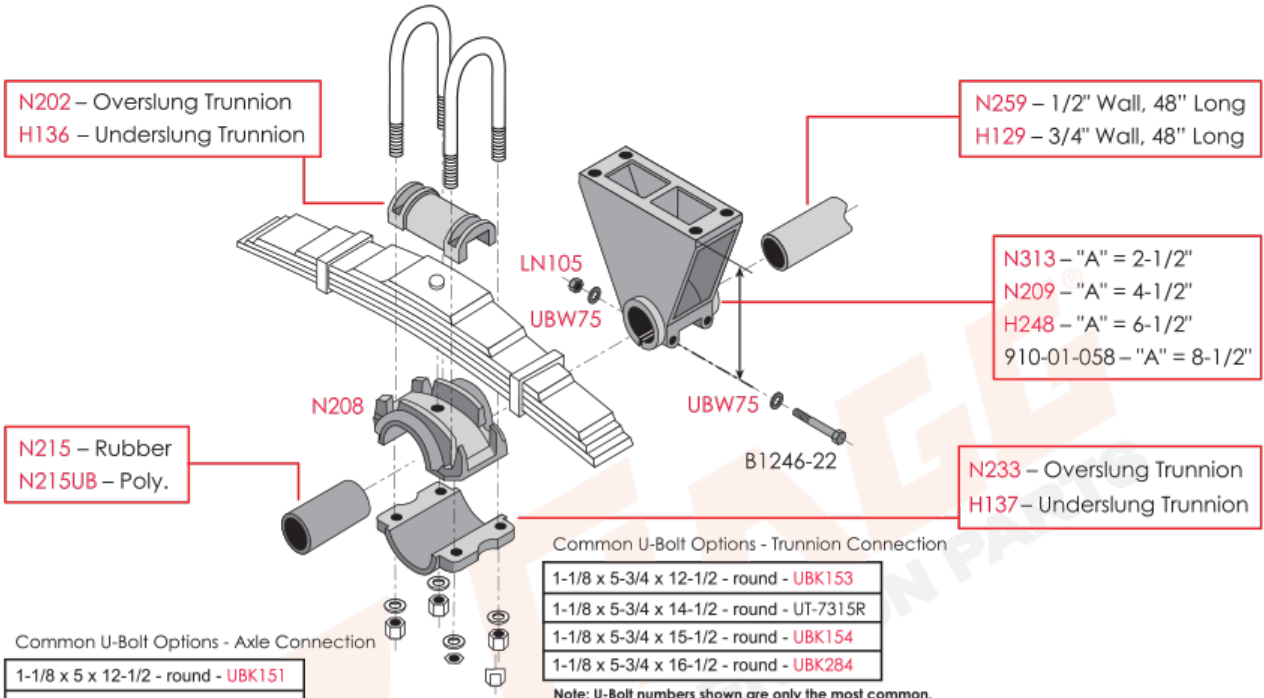
Ⓢ Optional Urethane Bushing, **RBT201UB**, may be purchased separately.

Watson & Chalin, Models PP, TS, TSR, US Single Point Suspension, Trailer Suspension



WATSON & CHALIN PP, TS, TSR, US SINGLE POINT - TRAILER SUSPENSION

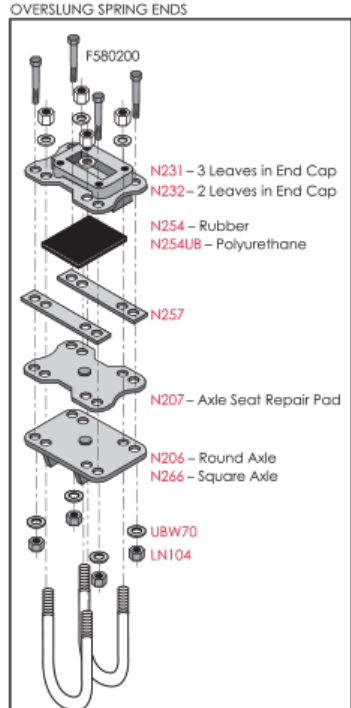
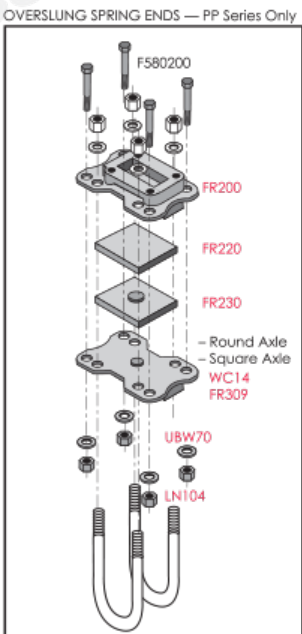
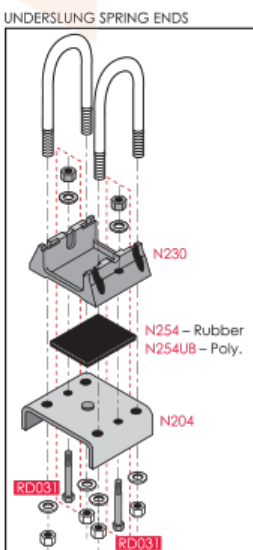
Most common spring(s) used for Watson & Chalin Single Point Suspension
 5 leaves = **TRA3222** 6 leaves = **TRA3606, TRA3224**
 7 leaves = **TRA3611** 9 leaves = **TRA2681** 10 leaves = **TRA3512**



Common U-Bolt Options - Axle Connection

1-1/8 x 5 x 12-1/2 - round - UBK151
1-1/8 x 5 x 13-1/2 - square - UBK211
1 x 5 x 11 - round - UBK149
5/8 x 5 x 8-1/2 - round - UBK102
5/8 x 5 x 9-1/4 - square - UT-4109S

Note: U-Bolt numbers shown are only the most common. This is not intended to be an all encompassing list.



Watson & Chalin, TA250/251/255/300 Early Series, Trailer Suspension



WATSON & CHALIN TA250/251/255/300 EARLY SERIES TRAILER SUSPENSION

Part No. Ride Height

Model TA250	Model TA251
AS-8488 6"	AS-8391 6.5"
AS-8490 7.5"	AS-8457 6.5" FS,
AS-8392 9"	7.5", 7.5" FS, 9",
AS-8470 12"	9" FS, 12"
	AS-8470 12" FS
Model TA255	Model TA280
AS-8317 9"	AS-8391 6.5"
	AS-8457 7.5", 9"
Model TA300	Model TA380
AS-8317 9"	AS-8317 9"
Model TA2575	Model TA2075
AS-8317 9"	AS-8319 6"
	AS-8310 9"
	AS-8315 12"

WC12 – TA300, TA380, TA550 Series Only
N120 – Except TA300, TA380, TA550 Series

WC02 – Except TA300, TA380, TA550 Series

WC11 – TA300, TA380, TA550 Series Only
WC06 – Except TA300, TA380, TA550 Series

UBK102 - 5/8"
UBK105 - 3/4"
UBK140 - 7/8"

Shock
F66893
F66636

WC11 – TA300, TA380, TA550 Series Only
WC06 – Except TA300, TA380, TA550 Series

UBW70 – 5/8"
UBW75 – 3/4"
UBW80 – 7/8"

DN3 – 5/8"
DN4 – 3/4"
DN5 – 7/8"

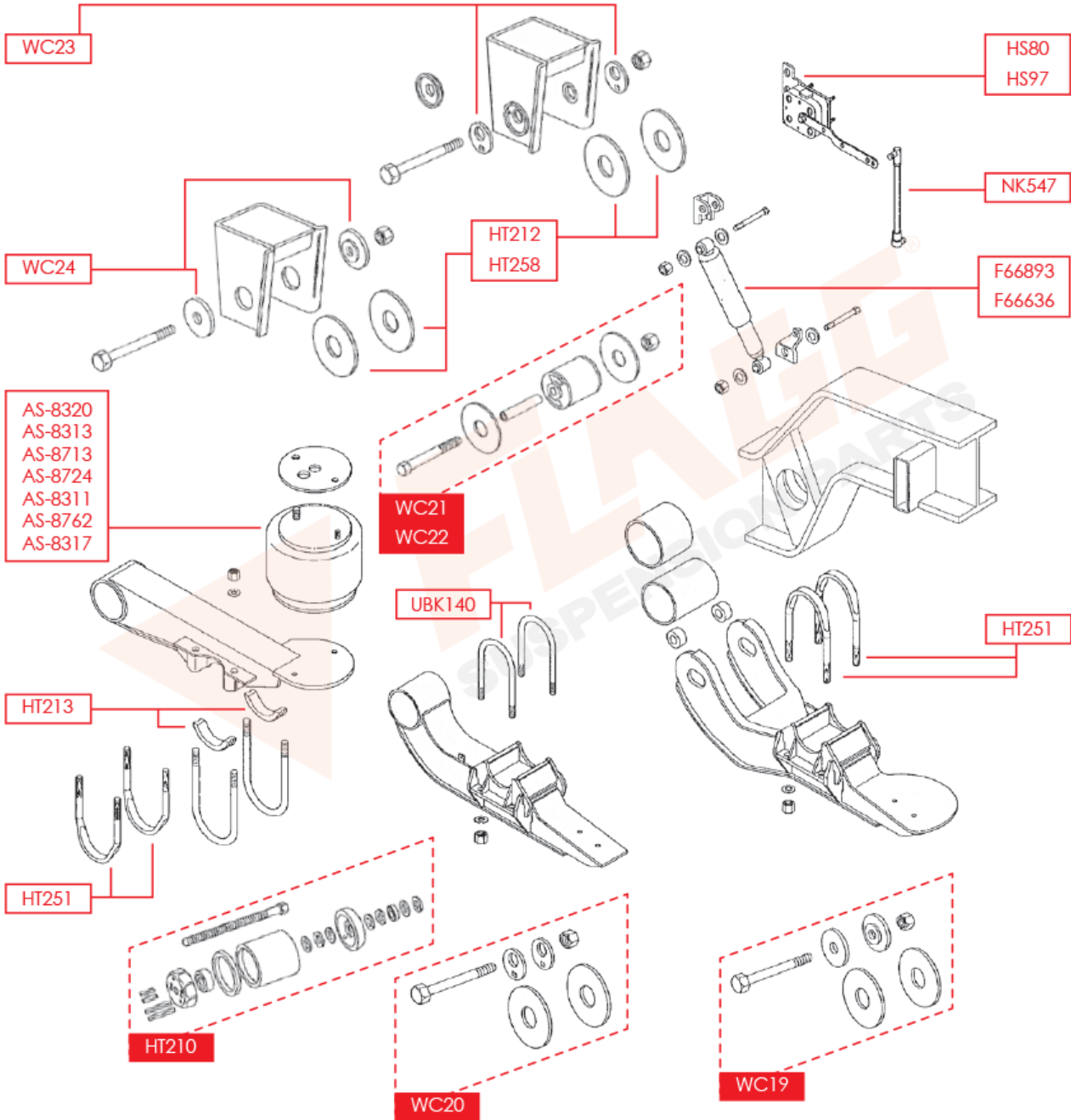
Watson & Chalin, TA250/300T, U, with Multi-Function Bushing, Trailer Suspension



WATSON & CHALIN TA250/300T, U WITH MULTI-FUNCTION BUSHING TRAILER SUSPENSION

*BOLD RED NUMBERS REFLECT TRIANGLE PART NUMBERS

*ITALICIZED BLACK NUMBERS REFLECT OEM NUMBERS (USE FOR REFERENCE ONLY)



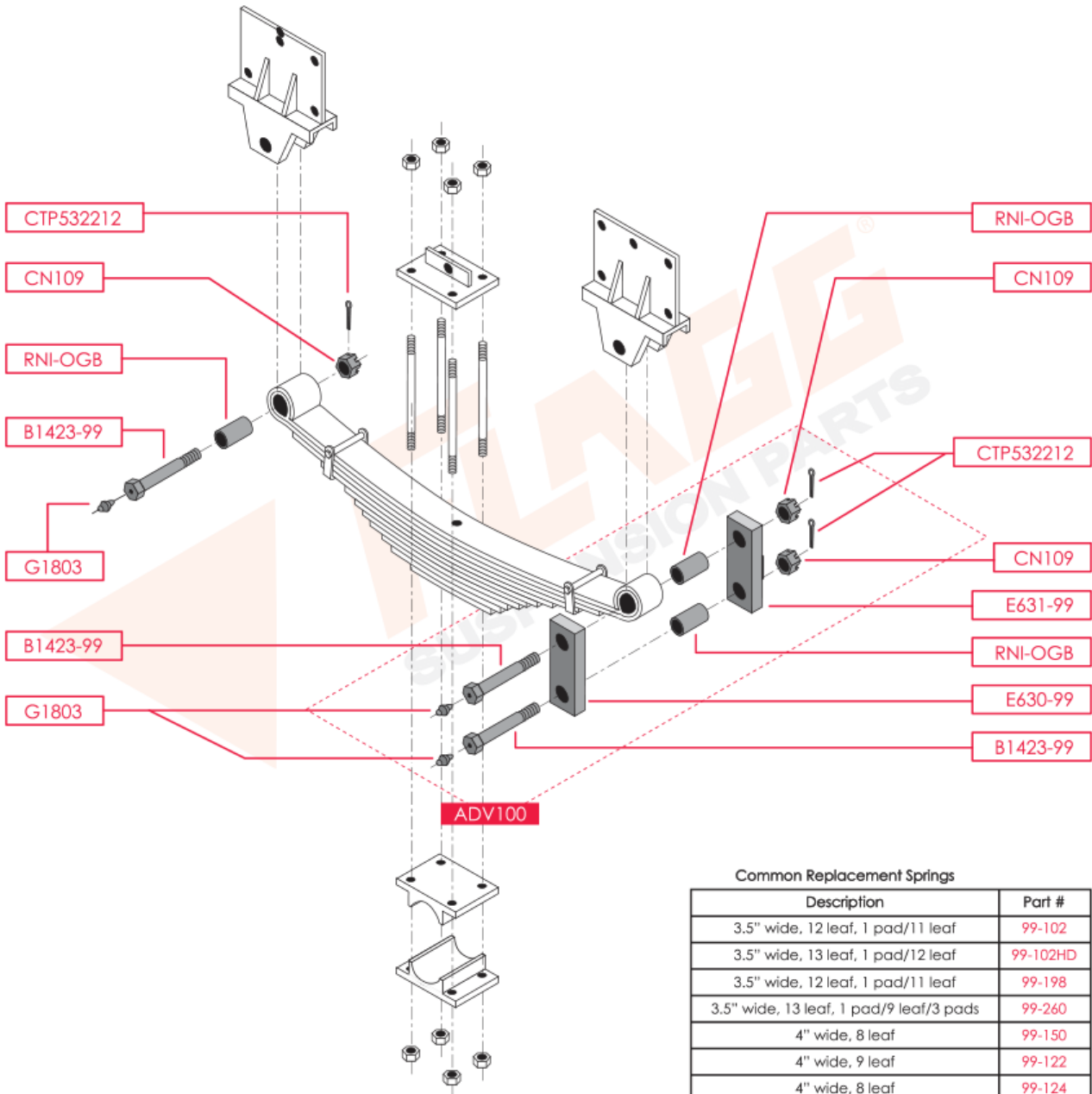
Advance Mixer - Front, Truck/Tractor Suspension



ADVANCE MIXER - FRONT TRUCK/TRACTOR SUSPENSION

***BOLD RED NUMBERS REFLECT TRIANGLE PART NUMBERS**

**ITALICIZED BLACK NUMBERS REFLECT OEM NUMBERS (USE FOR REFERENCE ONLY)*



Common Replacement Springs

Description	Part #
3.5" wide, 12 leaf, 1 pad/11 leaf	99-102
3.5" wide, 13 leaf, 1 pad/12 leaf	99-102HD
3.5" wide, 12 leaf, 1 pad/11 leaf	99-198
3.5" wide, 13 leaf, 1 pad/9 leaf/3 pads	99-260
4" wide, 8 leaf	99-150
4" wide, 9 leaf	99-122
4" wide, 8 leaf	99-124
4" wide, 17 leaf, threaded bushings	99-173

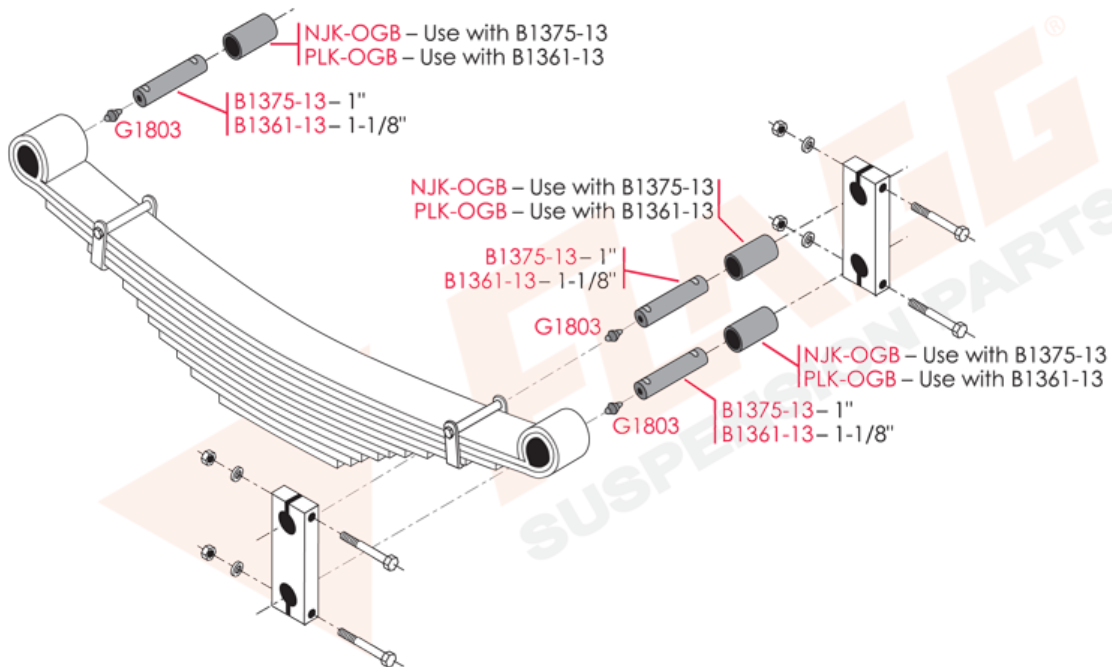
Note: Spring part numbers shown above are only the most common. This is not intended to be an all-encompassing list. Careful verification of all dimensions, capacity and specific application installation factors will determine the final selection of the replacement spring.

© 2018 Triangle Suspension Systems Inc.

Autocar, Models with Fixed Rate Spring with Double Eye, Front, Truck/Tractor Suspension



AUTOCAR MODELS WITH FIXED RATE SPRING - FRONT TRUCK/TRACTOR SUSPENSION



Description	Part #
10 leaf	13-302
10 leaf	13-318

Note: Spring part numbers shown above are only the most common. This is not intended to be an all-encompassing list. Careful verification of all dimensions, capacity and specific application installation factors will determine the final selection of the replacement spring.

© 2013 Triangle Suspension Systems Inc.

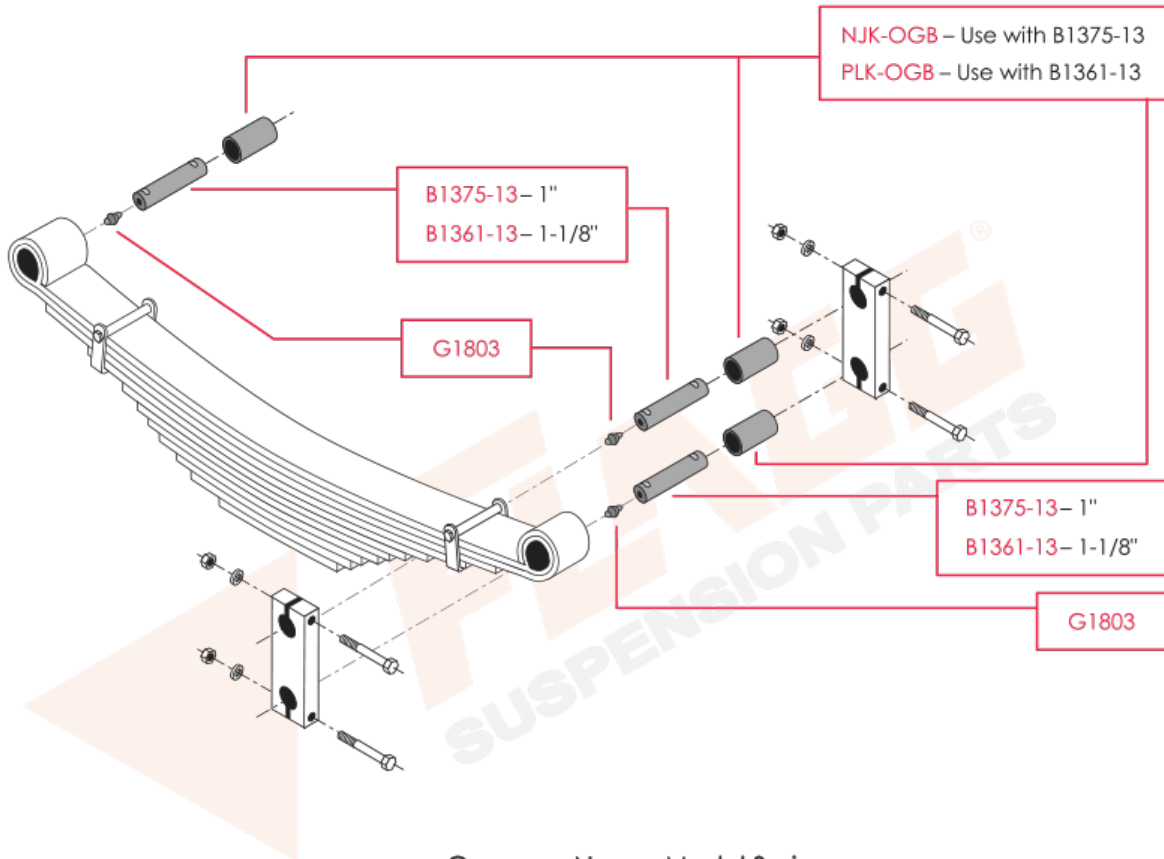
Autocar, Models with Fixed Rate Spring, Front, Truck/Tractor Suspension



AUTOCAR MODELS WITH FIXED RATE SPRING - FRONT TRUCK/TRACTOR SUSPENSION


***BOLD RED NUMBERS REFLECT TRIANGLE PART NUMBERS**

**ITALICIZED BLACK NUMBERS REFLECT OEM NUMBERS (USE FOR REFERENCE ONLY)*



Common Newer Model Springs

Description	Part #
4 leaf tapered, berlin eye on main leaf	13-350
4 leaf/pad tapered, berlin eye on leaf	13-352
4" wide 9 leaf front spring w/ PLK bushings	13-368



Description	Part #
10 leaf	13-302
10 leaf	13-318

Note: Spring part numbers shown above are only the most common. This is not intended to be an all-encompassing list. Careful verification of all dimensions, capacity and specific application installation factors will determine the final selection of the replacement spring.

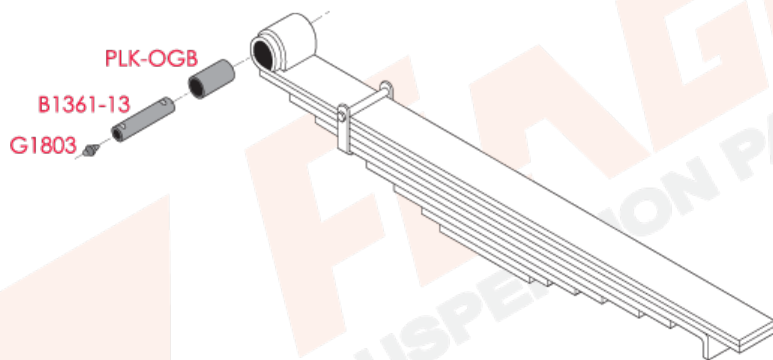
© 2018 Triangle Suspension Systems Inc.

Autocar, Models with Progressive Rate Spring Eye and Slipper Type, Front, Truck/Tractor Suspension



AUTOCAR

MODELS WITH PROGRESSIVE RATE SPRING - FRONT TRUCK/TRACTOR SUSPENSION



Description	Part #
10 leaf	13-274
8 leaf	13-312

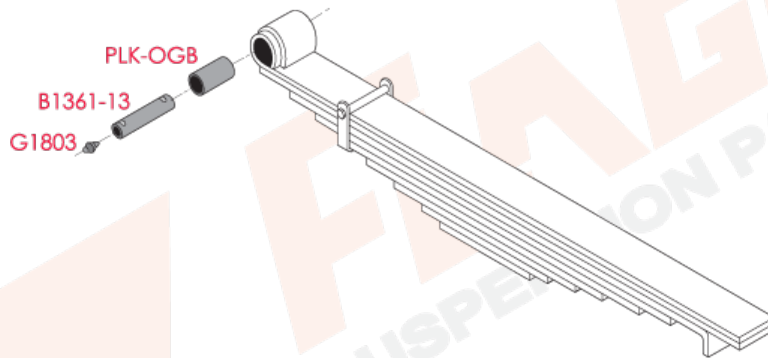
Note: Spring part numbers shown above are only the most common. This is not intended to be an all-encompassing list. Careful verification of all dimensions, capacity and specific application installation factors will determine the final selection of the replacement spring.

© 2013 Triangle Suspension Systems Inc.

Autocar, Models with Progressive Rate Spring, Front, Truck/Tractor Suspension



AUTOCAR MODELS WITH PROGRESSIVE RATE SPRING - FRONT TRUCK/TRACTOR SUSPENSION



Description	Part #
10 leaf	13-274
8 leaf	13-312

Note: Spring part numbers shown above are only the most common. This is not intended to be an all-encompassing list. Careful verification of all dimensions, capacity and specific application installation factors will determine the final selection of the replacement spring.

© 2013 Triangle Suspension Systems Inc.

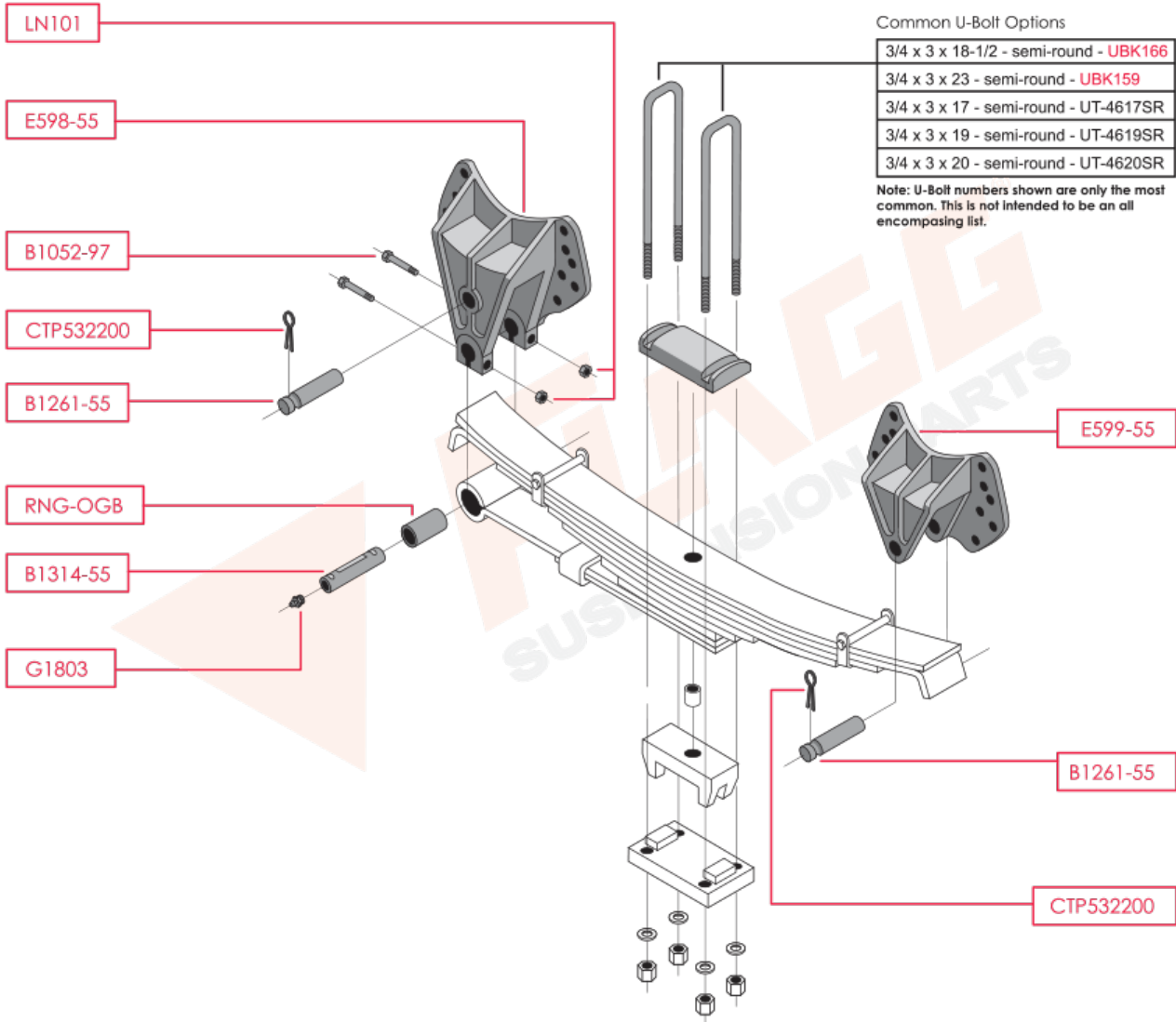
Bluebird, Single Axle with Radius Leaf Spring, Variable Rate Spring, 3" Wide, Rear, Truck/Tractor Suspension



BLUEBIRD SINGLE AXLE WITH RADIUS LEAF SPRING - REAR VARIABLE RATE SPRING, 3" WIDE TRUCK/TRACTOR SUSPENSION

***BOLD RED NUMBERS REFLECT TRIANGLE PART NUMBERS**

**ITALICIZED BLACK NUMBERS REFLECT OEM NUMBERS (USE FOR REFERENCE ONLY)*



Common Replacement Springs

Description	Part #
15 leaf: 9/.401", 4/.499", 2/.447"	14-145
15 leaf: 3/.499", 7/.447", 3/.360", 2/.447"	14-147
13 leaf: 5/.499", 3/.447", 3/.499", 2/.447"	14-127
3" wide 15 leaf spring w/ torque arm RB259	14-153

Note: Spring part numbers shown are only the most common. This is not intended to be an all encompassing list. Careful verification of all dimensions, capacity and specific application installation factors will determine the final selection for the replacement spring.

© 2019 Triangle Suspension Systems Inc.

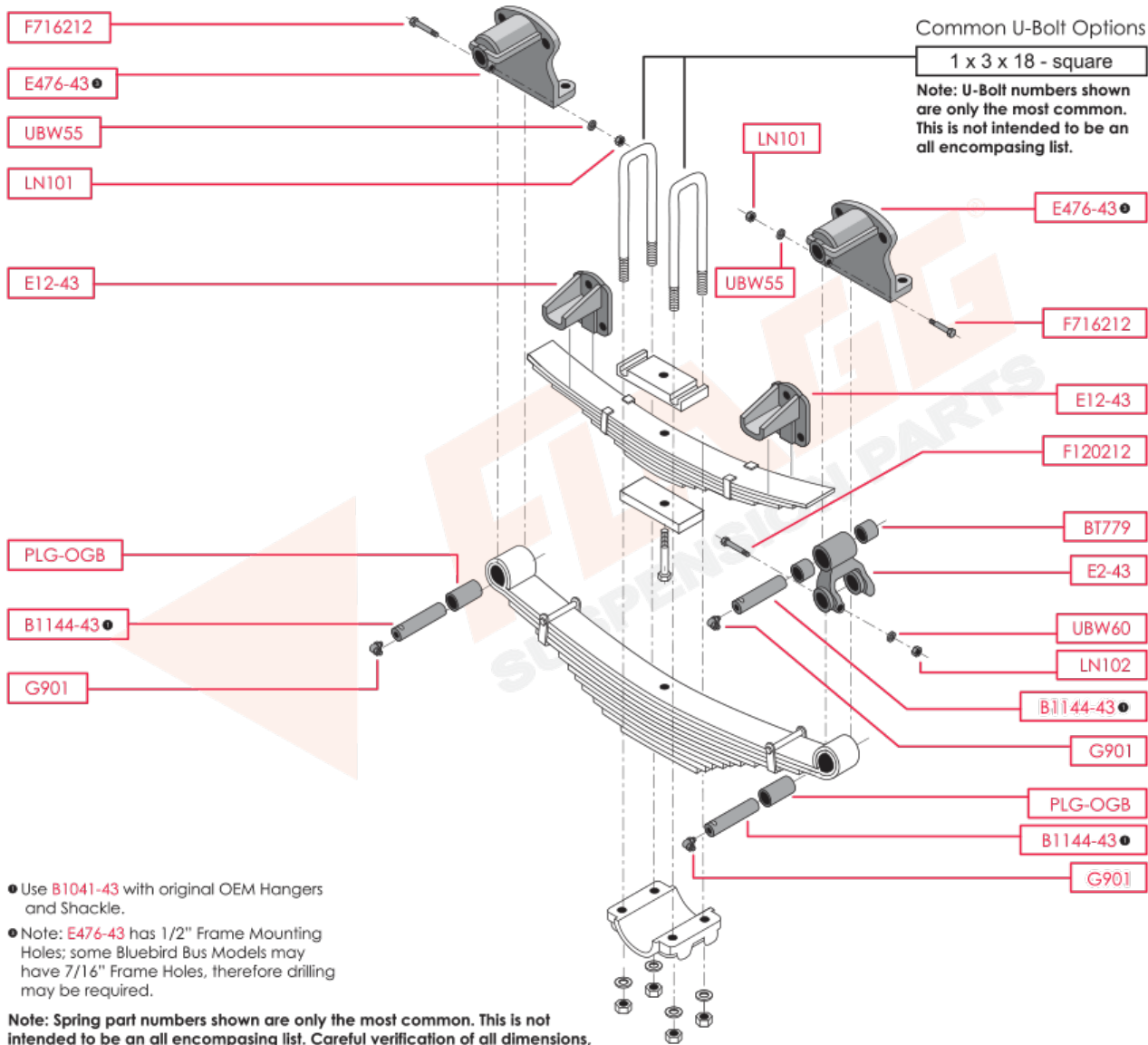
Bluebird, Single Axle with Spring Eyes, Both Ends, Fixed Rate Spring, 3" Wide, Rear, Truck/Tractor Suspension



BLUEBIRD SINGLE AXLE WITH SPRING EYES - BOTH ENDS - REAR FIXED RATE SPRING, 3" WIDE TRUCK/TRACTOR SUSPENSION

***BOLD RED NUMBERS REFLECT TRIANGLE PART NUMBERS**

**ITALICIZED BLACK NUMBERS REFLECT OEM NUMBERS (USE FOR REFERENCE ONLY)*



- Use **B1041-43** with original OEM Hangers and Shackle.
- Note: **E476-43** has 1/2" Frame Mounting Holes; some Bluebird Bus Models may have 7/16" Frame Holes, therefore drilling may be required.

Note: Spring part numbers shown are only the most common. This is not intended to be an all encompassing list. Careful verification of all dimensions, capacity and specific application installation factors will determine the final selection for the replacement spring.

Common Replacement Springs

Description	Part #
15 leaf, 11 leaf first stage, 4 leaf second stage	14-107
12 leaf	14-109

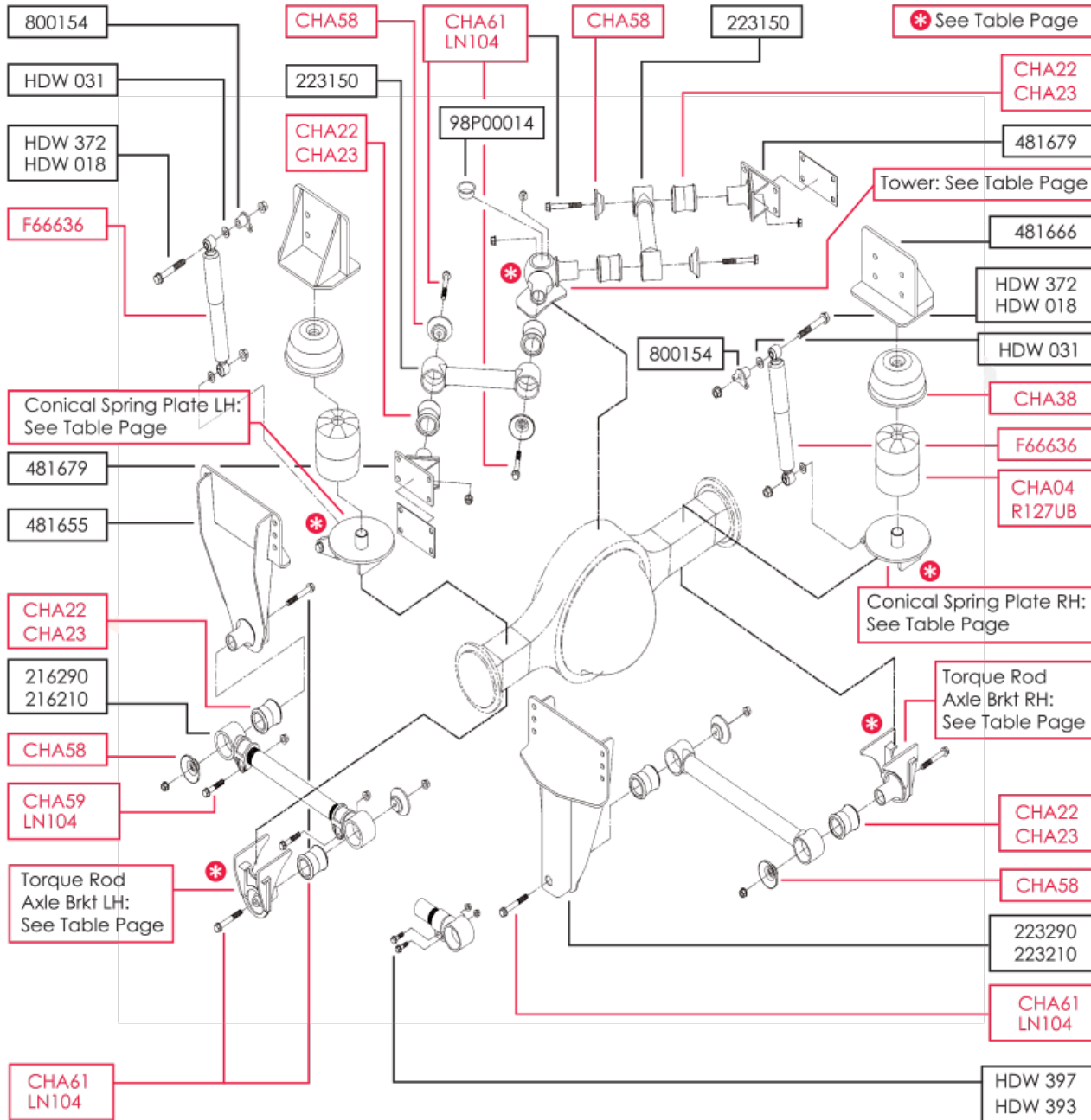
Chalmers, 1023 Series 23K, Rear, Truck/Tractor Suspension



CHALMERS 1023 SERIES 23K TRUCK/TRACTOR SUSPENSION

***BOLD RED NUMBERS REFLECT TRIANGLE PART NUMBERS**

**ITALICIZED BLACK NUMBERS REFLECT OEM NUMBERS (USE FOR REFERENCE ONLY)*



Chalmers, 1023 Series 23K, Table Page

TOWERS

TOWER	AXLE MODEL
481547	MERITOR (ROCKWELL); RS 24-160 SPICER; J220S, S190S, W230S
481549	MERITOR (ROCKWELL); RS 23-180
481552	DANA (EATON); 21060 T/P, 23080 MERITOR (ROCKWELL); RS 21-160, RS 21-230, RS23-160, RS 23-240
481553	DANA (EATON); S25-170
481554	DANA (EATON); 21060 S/D/A, 23082, S23-190 MERITOR (ROCKWELL); RS 19-145, RS 21-145
03S00587	DANA (EATON); 23090S

CHALMERS, 1023 SERIES 23K, TABLES TRUCK/TRACTOR SUSPENSION

© 2017 Triangle Suspension Systems Inc.

CONICAL SPRING PLATES: FORWARD MOUNTED SHOCK ABSORBERS

CONICAL RH	CONICAL LH	AXLE MODEL
03S00044	03S00045	DANA (EATON); 21060 S/D/A, 23082, 23090S, S23-190 MERITOR (ROCKWELL); RS 19-145, RS 21-145, RS 21-160, RS 21-230, RS 23-160, RS 23-240, RS 24-160 SPICER; J220S, M230T, S190S, W230S
03S00044	03S00267	DANA (EATON); 21060 T/P
03S00044	03S00615	MERITOR (ROCKWELL); RS 23-180
03S00319	03S00320	DANA (EATON); 23080
03S00319	03S00453	DANA (EATON); 23080T

CONICAL SPRING PLATES: REAR MOUNTED SHOCK ABSORBERS

CONICAL RH	CONICAL LH	AXLE MODEL
03S00048	03S00049	DANA (EATON); 21060 S/D/A, 23082 MERITOR (ROCKWELL); RS 19-145, RS 21-145, RS 23-160, RS 21-230, RS 23-240, RS 24-160 SPICER; J220S, M230T, S190S
03S00048	03S00208	MERITOR (ROCKWELL); RS 23-180
03S00048	03S00364	DANA (EATON); 21060 T/P
03S00048	03S00656	DANA (EATON); S25-170

TORQUE ROD AXLE BRACKETS

BRACKET RH	BRACKET LH	AXLE MODEL
481568	800529	DANA (EATON); 23082
481571	481571	SPICER; J220S, W230S
481571	481574	SPICER; S190S
481574	481574	MERITOR (ROCKWELL); RS 24-160
800527	481567	DANA (EATON); 21060 P/T MERITOR (ROCKWELL); RS 21-160, RS 21-230, RS 23-160, RS 32-180, RS 23-240
800527	800527	DANA (EATON); 21060 S/D/A, 23090S MERITOR (ROCKWELL); RS 19-145, RS 21-145
800527	800530	DANA (EATON); 23082, S23-190, S25-170
800530	481571	SPICER; M230T

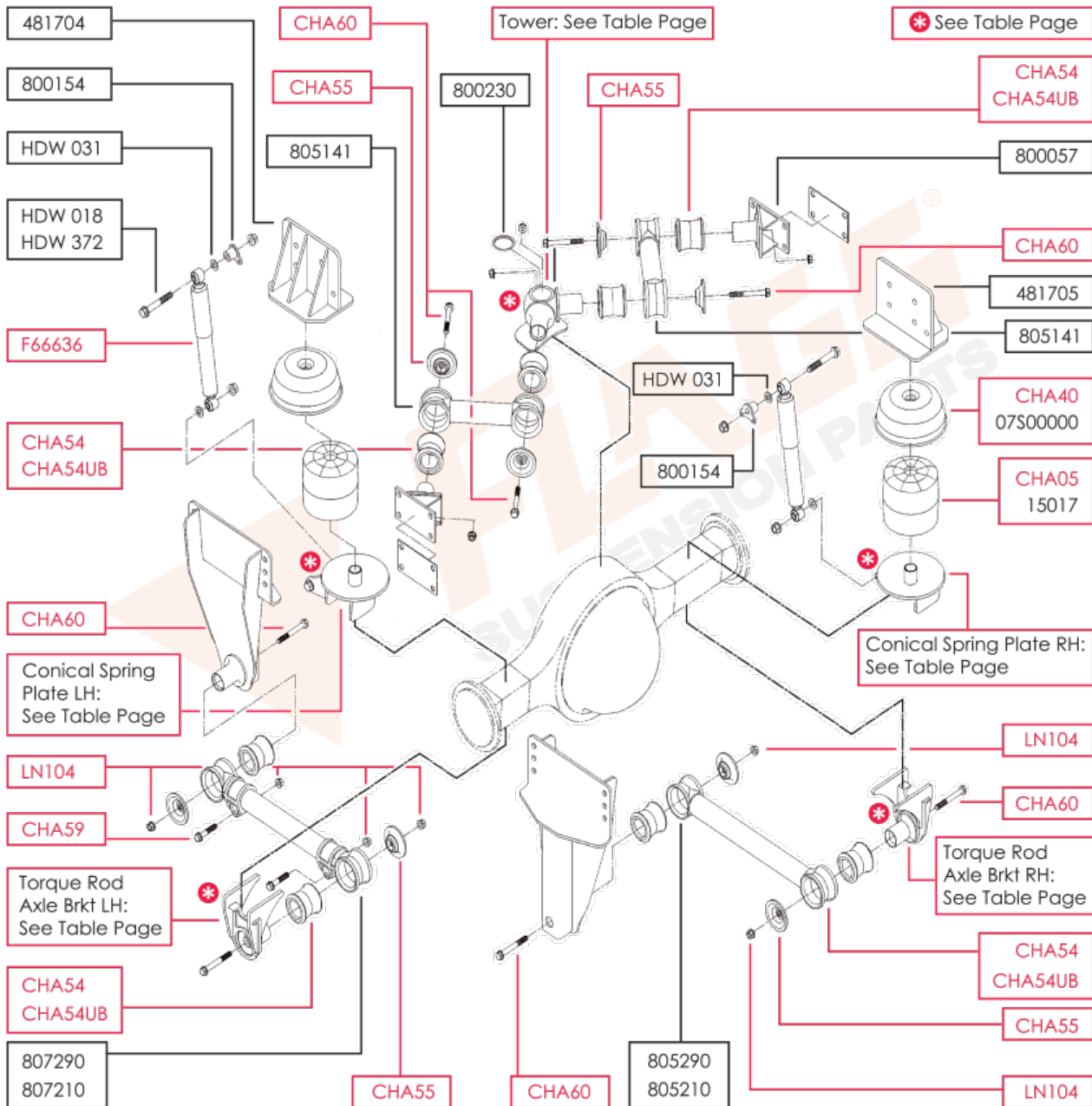
Chalmers, 1030 Series 30K, Rear, Truck/Tractor Suspension



CHALMERS 1030 SERIES 30K TRUCK/TRACTOR SUSPENSION

***BOLD RED NUMBERS REFLECT TRIANGLE PART NUMBERS**

**ITALICIZED BLACK NUMBERS REFLECT OEM NUMBERS (USE FOR REFERENCE ONLY)*



© 2017 Triangle Suspension Systems Inc.

Chalmers, 1030 Series 30K, Table Page 1

CHALMERS, 1030 SERIES 30K, TABLES: PART 1 TRUCK/TRACTOR SUSPENSION

TOWERS

TOWER	AXLE MODEL
481244	MERITOR (ROCKWELL); RS 23-180
481282	DANA (EATON); S23-190, S26-190, S30-190 MERITOR (ROCKWELL); RS 26-180, RS 30-180
481356	DANA (EATON); 21060, 2309S, 2310S, 23431 MERITOR (ROCKWELL); RS 23-160, RS 23-240, RS 25-160 SPICER; M230T
481681	DANA (EATON); 21060 S/D/A, 23082 MERITOR (ROCKWELL); RS 21-145
481757	DANA (EATON); 23070, 23085, 2310S, 2610S, 3010SP
800077	MERITOR (ROCKWELL); RS 24-160 SPICER; W230S

CONICAL SPRING PLATES: FORWARD MOUNTED SHOCK ABSORBERS

CONICAL RH	CONICAL LH	AXLE MODEL
03S00000	03S00001	DANA (EATON); 23070, 23085, 2310S, 23431, 2610S
03S00004	03S00005	DANA (EATON); 21060 S/D/A, 23082, 23090S MERITOR (ROCKWELL); RS 21-145, RS 23-160, RS 23-180, RS 24-160, RS 25-160 SPICER; M230T, W230S
03S00010	03S00011	MERITOR (ROCKWELL); RS 26-180, RS 30-180
03S00004	03S00273	DANA (EATON); 21060

CONICAL SPRING PLATES: REAR MOUNTED SHOCK ABSORBERS

CONICAL RH	CONICAL LH	AXLE MODEL
03S00006	03S00007	DANA (EATON); 21060 S/D/A, 23082 MERITOR (ROCKWELL); RS 21-145, RS 23-160, RS 23-180, RS 24-160, RS 25-160 SPICER; M230T, W230S
03S00015	03S00016	MERITOR (ROCKWELL); RS 26-180, RS 30-180
03S00096	03S00097	DANA (EATON); 23070, 23085, 2310S, 23431, 2610S

Chalmers, 1030 Series 30K, Table Page 2

CHALMERS, 1030 SERIES 30K, TABLES: PART 2 TRUCK/TRACTOR SUSPENSION

FORWARD MOUNTED SHOCK ABSORBERS, X-LOW MOUNT

CONICAL RH	CONICAL LH	AXLE MODEL
03S00130	03S00131	MERITOR (ROCKWELL); RS 26-180, RS 30-180
03S00229	03S00230	DANA (EATON); 21060 S/D/A MERITOR (ROCKWELL); RS 24-160
03S00229	03S00297	MERITOR (ROCKWELL); RS 23-160, RS 23-240
03S00229	03S00533	MERITOR (ROCKWELL); RS 23-180
03S00229	03S00614	DANA (EATON); S23-190, S26-190
03S00609	03S00610	DANA (EATON); 26105, 30105P
03S00616	03S00617	DANA (EATON); S30-190

REAR MOUNTED SHOCK ABSORBERS, X-LOW MOUNT

CONICAL RH	CONICAL LH	AXLE MODEL
03S00064	03S00065	MERITOR (ROCKWELL); RS 26-180, RS 30-180
03S00098	03S00099	DANA (EATON); 21060 S/D/A MERITOR (ROCKWELL); RS 21-145
03S00098	03S00183	MERITOR (ROCKWELL); RS 23-160, RS 23-240
03S00098	03S00503	MERITOR (ROCKWELL); RS 23-180
03S00098	03S00668	DANA (EATON); S23-190
03S00110	03S00111	DANA (EATON); 23085
03S00110	03S00546	DANA (EATON); 26105

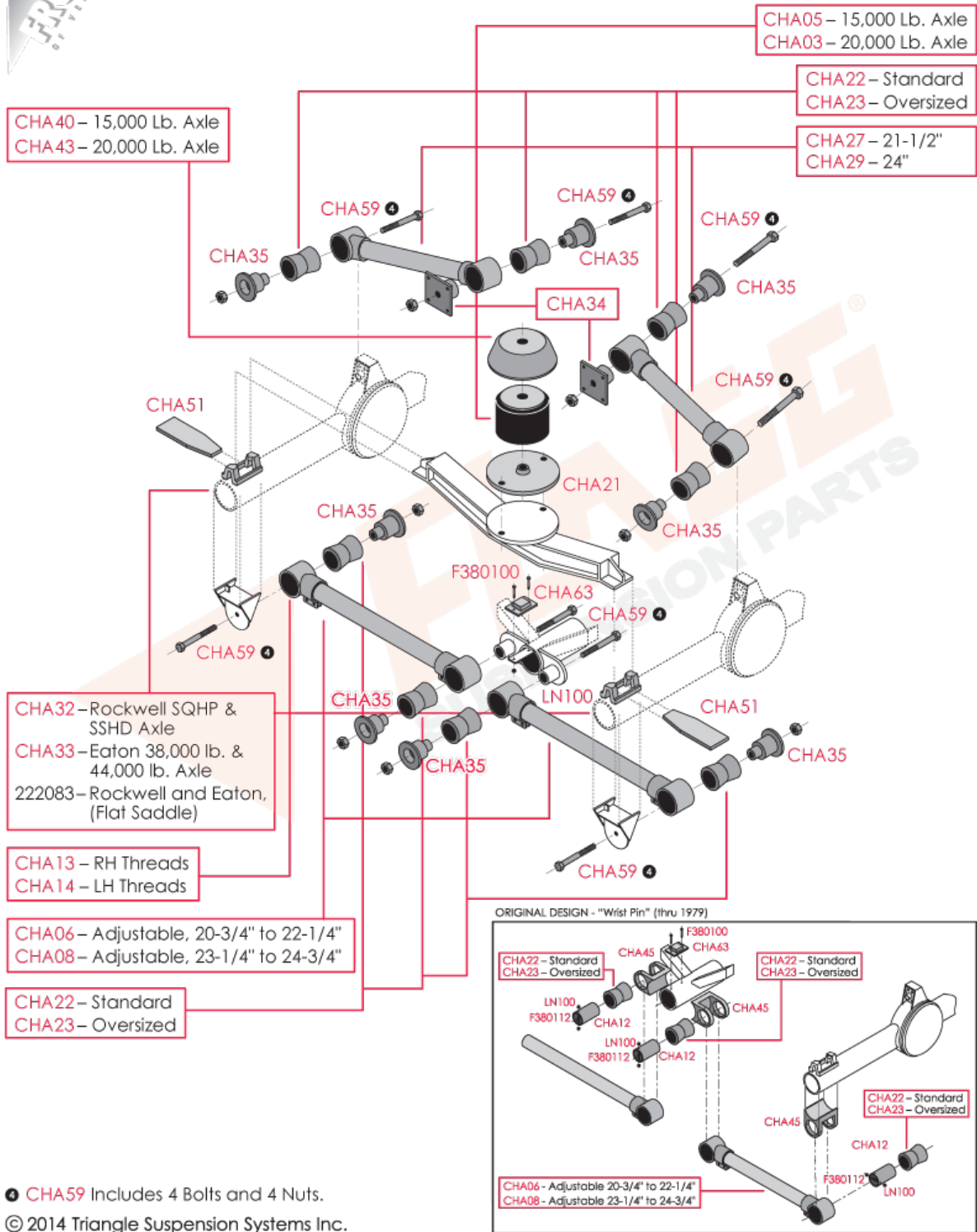
TORQUE ROD AXLE BRACKETS

BRACKET RH	BRACKET LH	AXLE MODEL
481577	481577	SPICER; W230S
481578	481578	DANA (EATON); 21060 P/T
481583	481582	DANA (EATON); 21060 MERITOR (ROCKWELL); RS 23-180, R170
800534	481533	MERITOR (ROCKWELL); RS 26-180, RS 30-180
800537	481577	MERITOR (ROCKWELL); RS 23-160, RS 23-240
800537	481690	SPICER; M230T
800537	800537	MERITOR (ROCKWELL); RS 24-160
800537	800540	DANA (EATON); 23082
800537	800774	DANA (EATON); 23090S MERITOR (ROCKWELL); RS 21-145
800537	03S00604	DANA (EATON); S23-190, S26-190
800539	481576	DANA (EATON); 23070, 23085, 23105, 23431, 26105
800539	03S00620	DANA (EATON); 30105P
800793	800794	DANA (EATON); S30-190

Chalmers, 600 Series, Rear, Truck/Tractor Suspension



CHALMERS 600 SERIES - REAR - TRUCK/TRACTOR SUSPENSION

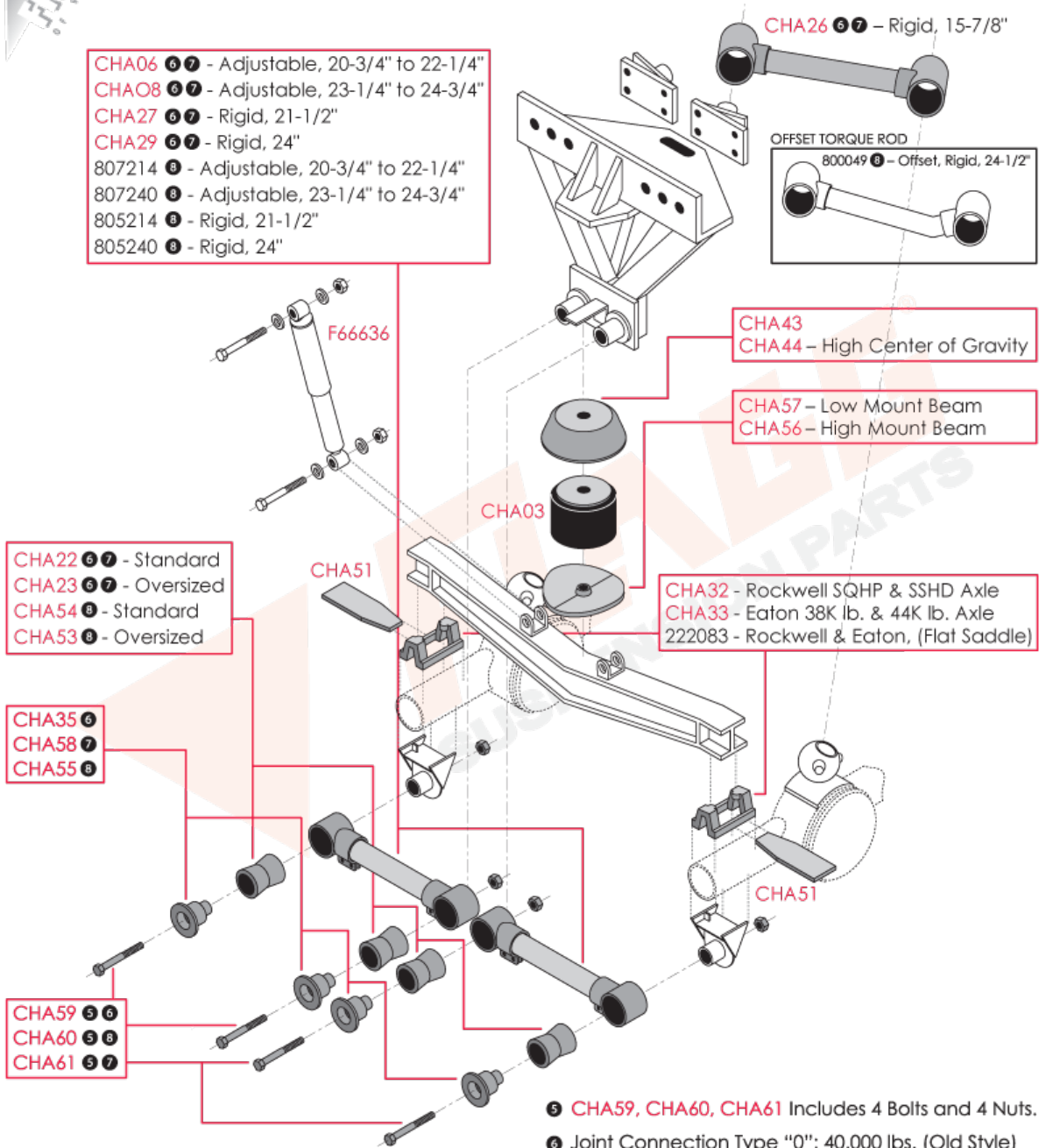


④ **CHA59** Includes 4 Bolts and 4 Nuts.
© 2014 Triangle Suspension Systems Inc.

Chalmers, 800 Series, Rear, Truck/Tractor Suspension



CHALMERS 800 SERIES - REAR - TRUCK/TRACTOR SUSPENSION

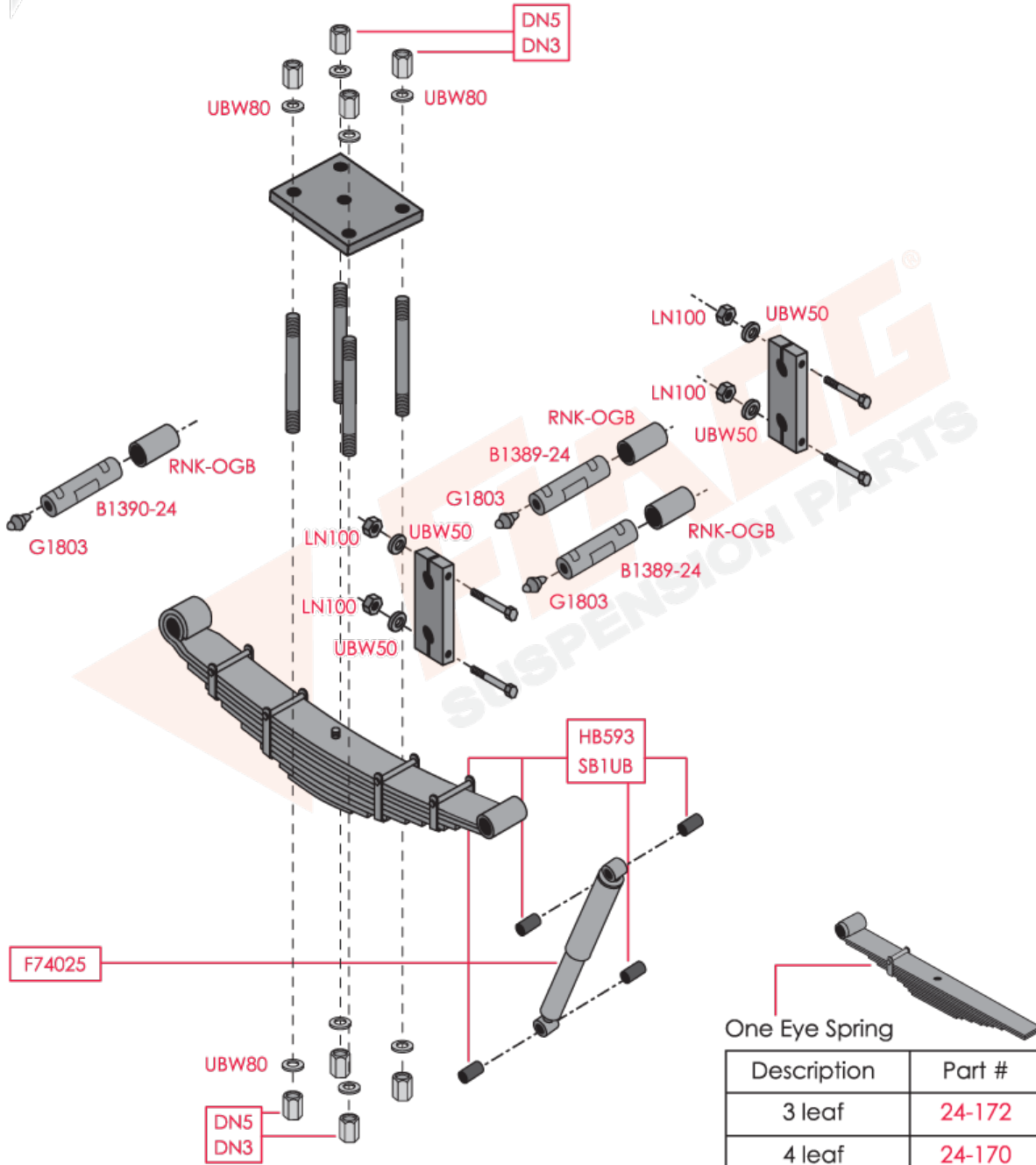


- 5 **CHA59, CHA60, CHA61** Includes 4 Bolts and 4 Nuts.
 - 6 Joint Connection Type "0"; 40,000 lbs. (Old Style)
 - 7 Joint Connection Type "1"; 40,000 lbs. (New Style)
 - 8 Joint Connection Type "2"; 46,000 lbs. and up
- © 2014 Triangle Suspension Systems Inc.

Crane Carrier, Multi Leaf, Front, Truck/Tractor Suspension



CRANE CARRIER MULTI LEAF - (FRONT) - TRUCK/TRACTOR SUSPENSION



One Eye Spring

Description	Part #
3 leaf	24-172
4 leaf	24-170
11 leaf	24-132

© 2014 Triangle Suspension Systems Inc.

Ford, B & F / L & LN, 2-1/2" Wide Springs, 1980 - 1997, Front, Truck/Tractor Suspension

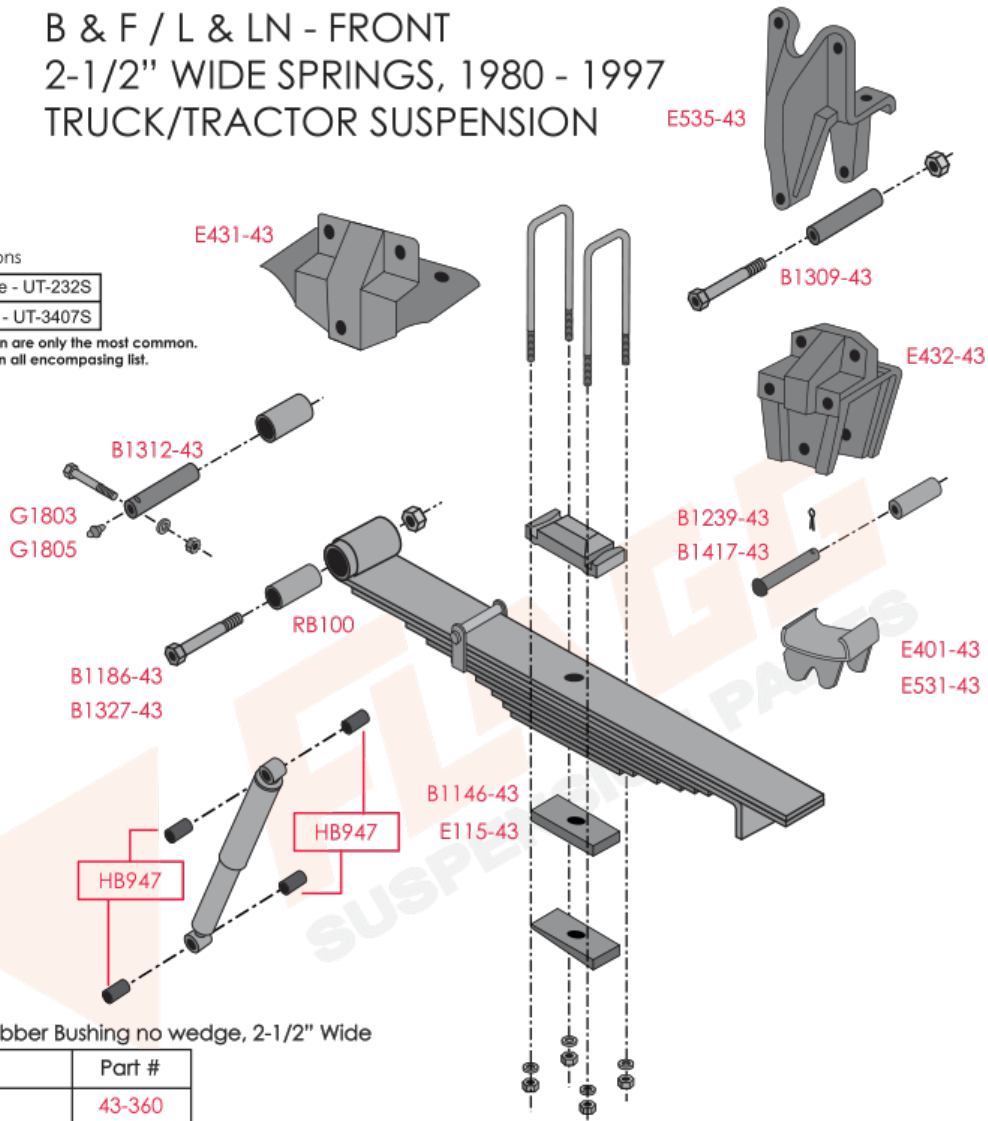


FORD B & F / L & LN - FRONT 2-1/2" WIDE SPRINGS, 1980 - 1997 TRUCK/TRACTOR SUSPENSION

Common U-Bolt Options

9/16 x 2-1/2 x 6 - square - UT-232S
5/8 x 2-1/2 x 8 - square - UT-3407S

Note: U-Bolt numbers shown are only the most common. This is not intended to be an all encompassing list.



B & F Models w/ Rubber Bushing no wedge, 2-1/2" Wide

Description	Part #
8 leaf	43-360
10 leaf	43-358
12 leaf	43-378

B & F Models w/ Rubber Bushing w/ wedge, 2-1/2" Wide

Description	Part #
6 leaf, shock eye	43-486
7 leaf, shock eye	43-488
8 leaf, shock eye	43-490
7 leaf, shock eye	43-422
9 leaf, shock eye	43-424

B, L, LN Series w/ Bronze Bushings

Description	Part #
8 leaf, shock eye	43-366
9 leaf, shock eye, 3300 lbs. rating	43-370
9 leaf, shock eye	43-406
12 leaf	43-402
9 leaf, shock eye, 4040 lbs. rating	43-430

Note: Spring part numbers shown above are only the most common. This is not intended to be an all-encompassing list. Careful verification of all dimensions, capacity and specific application installation factors will determine the final selection of the replacement spring.

© 2019 Triangle Suspension Systems Inc.

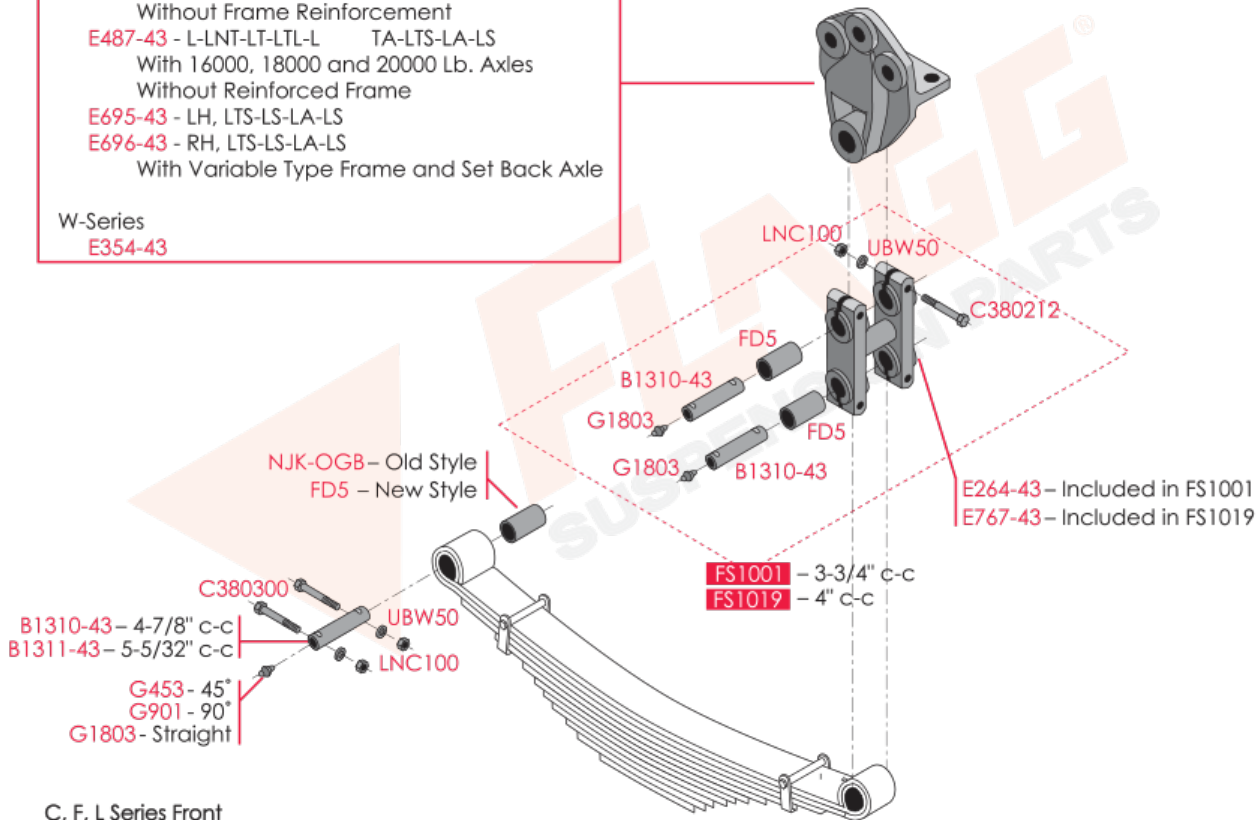
Ford, C, F, L, W Series FT800/FT900, 1970 - 2000, Front, Truck/Tractor Suspension



FORD C, F, L, W SERIES, FT800/FT900 - FRONT (1970 - 2000) TRUCK/TRACTOR SUSPENSION

- F-Series**
E683-43
- L-Series**
E347-43 - L-LN-LNT-LT-L TL-LTA-LTS
With 6000, 7000, 9000 and 12000 Lb. Axles
E458-43 - L-LN-LNT-LT-L TL
With 16000, 18000 and 20000 Lb. Axles
Without Frame Reinforcement
E487-43 - L-LNT-LT-LTL-L TA-LTS-LA-LS
With 16000, 18000 and 20000 Lb. Axles
Without Reinforced Frame
E695-43 - LH, LTS-LS-LA-LS
E696-43 - RH, LTS-LS-LA-LS
With Variable Type Frame and Set Back Axle
- W-Series**
E354-43

- Use this drawing for the following:
- CF600, CF700, CF-CFT800 Series [1986 - 97]
 - F-FT600, F-FT700, F-FT800, F-FT900 Series [1980 - 2000]
 - L-LN-LNT-LT-LTL800/900 Series [1970 - 95]
 - LA-LS-LTS-LLA-LLS-LTA-LTLS800/900 Series [1992 - 95]
 - W-WT900, W-WT1000 Series [1970 - 77]



C, F, L Series Front

Description	Part #
9 leaf	43-400
10 leaf, 6000 lbs. rating	43-386
10 leaf, 7200 lbs. rating	43-388
12 leaf	43-390
10 leaf, 7200 lbs. rating	43-432
11 leaf	43-434
12 leaf, 9200 lbs. rating	43-436

W Series Front

Description	Part #
9 leaf	43-350
3 leaf, tapered	43-382
4 leaf, tapered	43-384

OPTIONAL HANGER AND SPRING EYE BUSHINGS

- New Style (1) Piece Grooved Bronze Bushing
FD5
- Old Style (2) Piece Grooved Bronze Bushing
FD4

Note: Spring part numbers shown above are only the most common. This is not intended to be an all-encompassing list. Careful verification of all dimensions, capacity and specific application installation factors will determine the final selection of the replacement spring.

© 2019 Triangle Suspension Systems Inc.

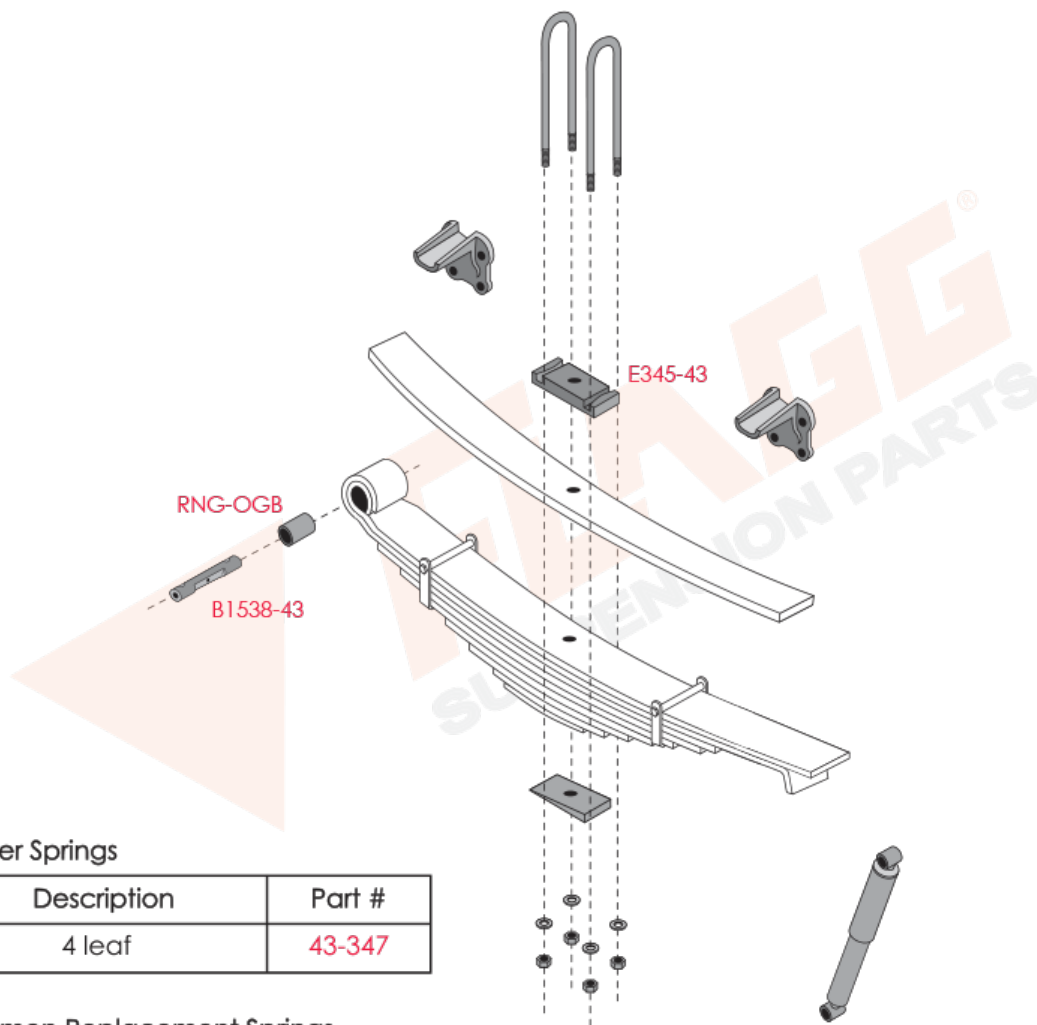
Ford, F650/750, 3" wide Eye and Slipper Springs, Rear, Truck/Tractor Suspension



FORD F650/750, 3" WIDE EYE AND SLIPPER SPRINGS, REAR TRUCK/TRACTOR SUSPENSION

***BOLD RED NUMBERS REFLECT TRIANGLE PART NUMBERS**

**ITALICIZED BLACK NUMBERS REFLECT OEM NUMBERS (USE FOR REFERENCE ONLY)*



Helper Springs

Description	Part #
4 leaf	43-347

Common Replacement Springs

Description	Part #
leaves: 5/4: 9,450 rating	43-1335
leaves: 5/4: 10,350 rating	43-1337
leaves: 6/4: 14,000 rating	43-1337HD
3" wide, 9 lvs. 27 x 32 RNG S.E. x Hook-2 L.E.	43-1323

© 2018 Triangle Suspension Systems Inc.

Ford, Models B, CF, CL, F, L, W Series, Models with Torque Arms and with Cast Hangers, Rear, Truck/Tractor Suspension



FORD: B, CF, CL, F, L, W SERIES - REAR MODELS WITH CAST HANGERS TRUCK/TRACTOR SUSPENSION

Use this drawing for the following:

- B600, B700 Series 1973-97
- CF600, CF700, CF800 Series 1986-97
- CL900 Series 1978-91
- F600, F700, F800, F900 Series 1973-2000
- L-LA-LI-LN-LS600/700/800/900 Series 1973-95
- W900, W1000 Series 1973-77

- E684-43 - RH, Except CL Series
- E685-43 - LH, Except CL Series

- E12-43 - All B-Series, F600, F700, LN700 Series
- E92-43 - CF600, CF700, CL900, F600, F700 Series; F800 Series with 23,000 lb. Axle; All L800, 900 Series

- E198-43 - O.A.L. 6-3/4", 5" C-C
- E345-43 - O.A.L. 7-1/8", 5-7/8" C-C
- E346-43 - O.A.L. 7-5/8", 5-7/8" C-C

- E12-43 - All B-Series, F600, F700, LN700 Series
- E92-43 - CF600, CF700, CL900, F600, F700 Series; F800 Series with 23,000 lb. Axle; All L800, 900 Series

- E276-43 - RH; 1973-79, B, F, L, LN Series
- E277-43 - LH; 1973-97, B, F, L, LN Series
- E686-43 - RH; 1973-97, Except W Series
- E687-43 - LH; 1973-97, Except W Series

B1082-55

CTP316200

UBW55
LN101

B1196-43
B1360-43

E349-43

- B1205-43 - Double Lock Slots
- B1176-43 - Single Lock Slot

G1803

RNG-OGB
RNG
RB259

CTP316200

B1196-43
B1360-43

- E190-43 - Opening Measurement 3-7/8"
- E324-43 - Opening Measurement 4-3/8"
- E414-43 - Opening Measurement 4-11/16"
- E445-43 - Opening Measurement 4-7/8"

E158-43 - Opening Measurement 4"

B, CL, F, L, W Model rear w/ cast hangers helpers

Description	Part #
4 leaf	43-347

B, CF, CL, F, L, W Series rear w/ cast hangers
CF Model

Description	Part #
9 leaf	43-843
12 leaf	43-871

B, CL, F, L, W Model rear w/ cast hangers

Description	Part #
13 leaf, 7/3/3	43-987
6 leaf, 4/2 tapered	43-953
12 leaf, 6/3/3	43-411
13 leaf, 7/3/3	43-413
14 leaf, 8/3/3	43-415
13 leaf, 10/3	43-1003
15 leaf, 12/3 13,000 lbs. rating	43-377
15 leaf, 12/3 14,500 lbs. rating	43-377HD
17 leaf, 15/2	43-1165

B, CF, CL, F, L, W Series rear w/ Rubber Bushing

Description	Part #
8/3 pads/2	55-1211
9/3 pads/2	55-1215
10/2 pads/2	55-1217
11/2	55-1213
12/2	55-1219

Common U-Bolt Options

3/4 x 3 x 14-1/2 - semi-round - UBK174
3/4 x 3 x 16-1/2 - semi-round - UBK174
3/4 x 3 x 18-1/2 - semi-round - UBK166
7/8 x 3 x 18-1/2 - semi-round - UBK169
7/8 x 3 x 20-1/2 - semi-round - UT-5321SR

Note: U-Bolt numbers shown are only the most common. This is not intended to be an all encompassing list.

© 2019 Triangle Suspension Systems Inc.

Note: Spring part numbers shown above are only the most common. This is not intended to be an all-encompassing list. Careful verification of all dimensions, capacity and specific application installation factors will determine the final selection of the replacement spring.

Ford, Models L, LT, LN, TS, LTS, LTL, LA, LLA, Aromax with 4" wide Springs, Front, Truck/Tractor Suspension



FORD C, F, L, W SERIES - FRONT (1970-2000) TRUCK/TRACTOR SUSPENSION

Use this drawing for the following:

- CF600, CF700, CF-CFT800 Series [1986 - 97]
- F-FT600, F-FT700, F-FT800, F-FT900 Series [1980 - 2000]
- L-LN-LNT-LT-LTL800/900 Series [1970 - 95]
- LA-LS-LTS-LLA-LLS-LTA-LTLS800/900 Series [1992 - 95]
- W-WT900, W-WT1000 Series [1970 - 77]

F-Series

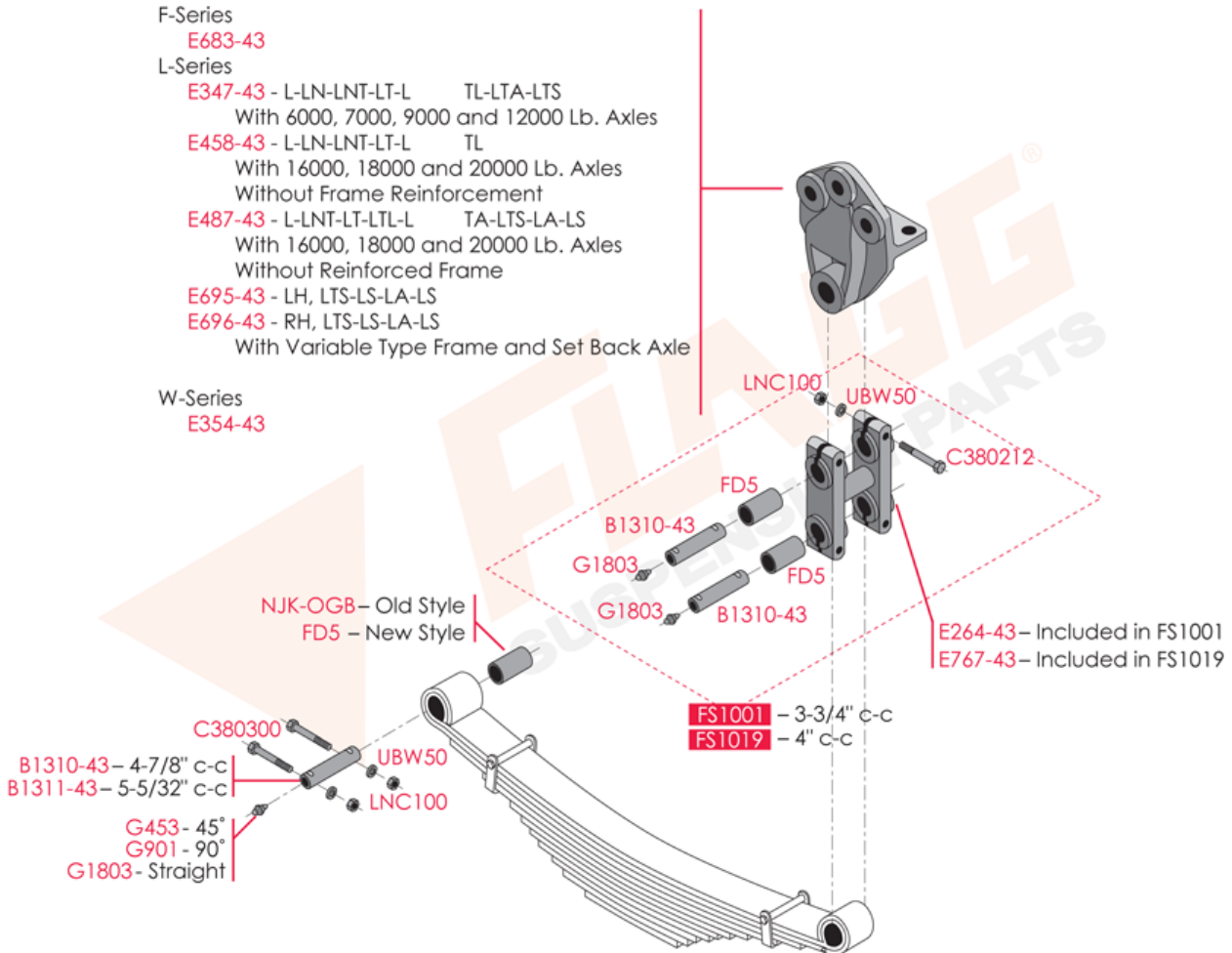
E683-43

L-Series

- E347-43 - L-LN-LNT-LT-L TL-LTA-LTS
With 6000, 7000, 9000 and 12000 Lb. Axles
- E458-43 - L-LN-LNT-LT-L TL
With 16000, 18000 and 20000 Lb. Axles
Without Frame Reinforcement
- E487-43 - L-LNT-LT-LTL-L TA-LTS-LA-LS
With 16000, 18000 and 20000 Lb. Axles
Without Reinforced Frame
- E695-43 - LH, LTS-LS-LA-LS
- E696-43 - RH, LTS-LS-LA-LS
With Variable Type Frame and Set Back Axle

W-Series

E354-43



OPTIONAL HANGER AND SPRING EYE BUSHINGS

- New Style (1) Piece Grooved Bronze Bushing
FD5
- Old Style (2) Piece Grooved Bronze Bushing
FD4

© 2010 Triangle Suspension Systems Inc.

Ford, Models: A, AT9513, L, LT 8500-9500-Ford Front, Aeromax & Louisville 1996 - Present, 4" Wide Spring with 1 -1/4" Pins, Front, Truck/Tractor Suspension



FORD/STERLING

FRONT MODELS: A, AT9513, L, LT 8500-9500-FORD FRONT, AEROMAX & LOUISVILLE 96 & UP 4" WIDE SPRING WITH 1-1/4" PINS, TRUCK/TRACTOR SUSPENSION

***BOLD RED NUMBERS REFLECT TRIANGLE PART NUMBERS**

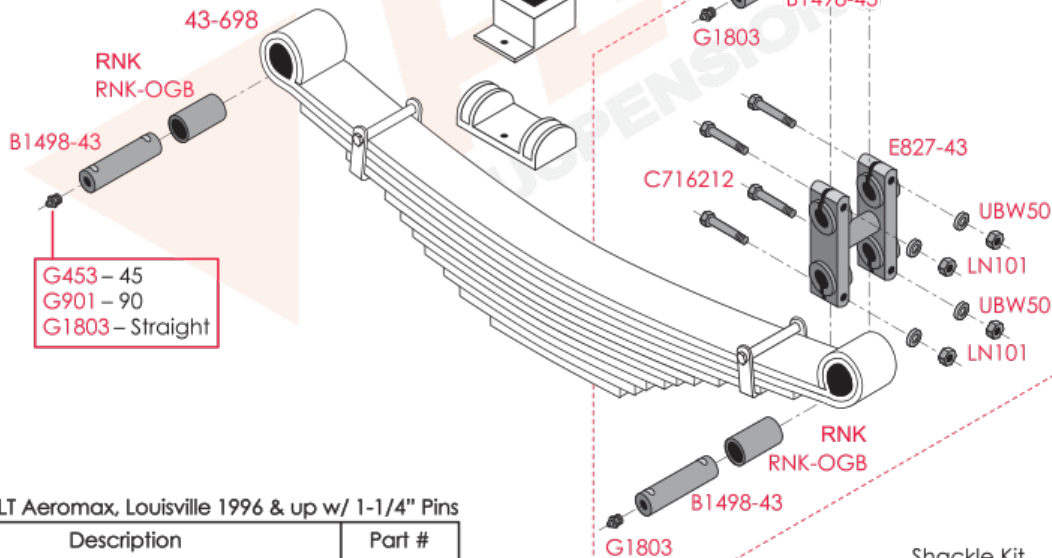
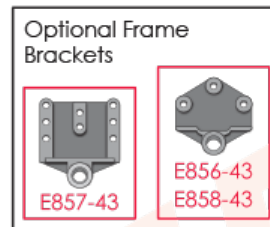
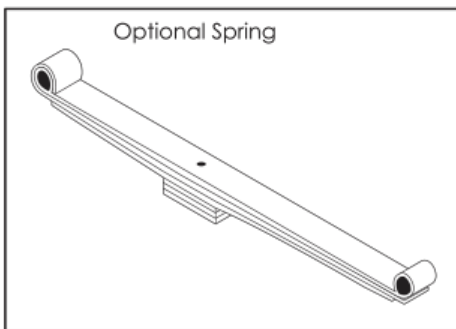
**ITALICIZED BLACK NUMBERS REFLECT OEM NUMBERS (USE FOR REFERENCE ONLY)*

Common U-Bolt Options

3/4 x 4 x 10-1/4 - 3/4 round - **UBK267**

7/8 x 4 x 12-1/4 - 3/4 round - **UBK269**

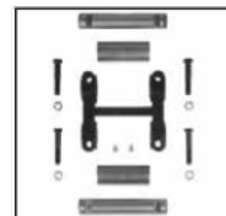
Note: U-Bolt numbers shown are only the most common. This is not intended to be an all encompassing list.



A, AT, L, LT Aeromax, Louisville 1996 & up w/ 1-1/4" Pins

Description	Part #
2 leaf, block tapered, 5,400 lbs. rating	43-694
2 leaf, block tapered, 6,000 lbs. rating	43-692
9 leaf, wedge, 7,200 lbs. rating	43-686
9 leaf, wedge, 8,200 lbs. rating	43-682
9 leaf, wedge, 9,200 lbs. rating	43-698
11 leaf, wedge, 1,300 lbs. rating	43-698HD

Shackle Kit **FS1020**



Ford, Models: CF, CFT, F, FT, L, LA, LS, LST, LT, LTS, LN, LNT, LL, LLA, LTA, LTL, LTLA, Louisville, Aeromax, F650/750, 4" Wide Spring, Front, Truck/Tractor Suspension



FORD

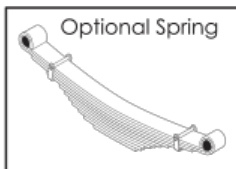
Front Models: CF, CFT, F, FT, L, LA, LS, LST, LT, LTS, LN, LNT, LL, LLA, LTA, LTL, LTLA, Louisville, Aeromax, F650/750 4" Wide Spring

***BOLD RED NUMBERS REFLECT TRIANGLE PART NUMBERS**

**ITALICIZED BLACK NUMBERS REFLECT OEM NUMBERS (USE FOR REFERENCE ONLY)*

Use this drawing for the following:

A-AT9513, A-AT9522 Series	[1996 - 98]
L-LT8513, L-LT9513, L-LT9522 Series	[1996 - 98]
LA-LLA-LTA-LTLA800/900 Series	[1990 - 95]

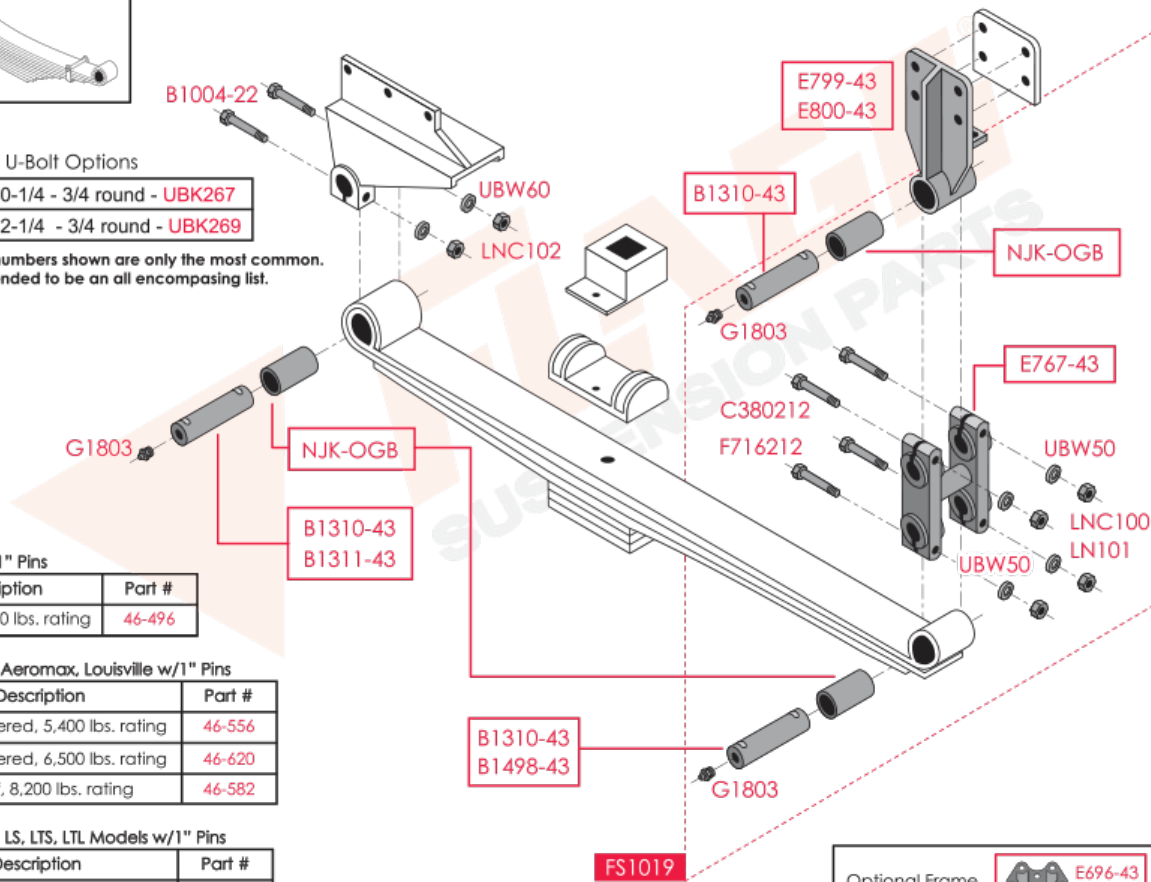


Common U-Bolt Options

3/4 x 4 x 10-1/4 - 3/4 round - **UBK267**

7/8 x 4 x 12-1/4 - 3/4 round - **UBK269**

Note: U-Bolt numbers shown are only the most common. This is not intended to be an all encompassing list.



FT Model w/1" Pins

Description	Part #
10 leaf, 6,000 lbs. rating	46-496

LA, LTA, LLA, Aeromax, Louisville w/1" Pins

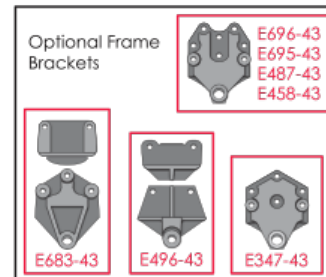
Description	Part #
5 leaf, tapered, 5,400 lbs. rating	46-556
5 leaf, tapered, 6,500 lbs. rating	46-620
10 leaf, 8,200 lbs. rating	46-582

L, LT, LN, LNT, LS, LTS, LTL Models w/1" Pins

Description	Part #
9 leaf, 5,400 lbs. rating	43-400
10 leaf, 6,000 lbs. rating	43-386
10 leaf, 7,200 lbs. rating	43-388
12 leaf, 9,200 lbs. rating	43-390
10 leaf, 7,200 lbs. rating	43-432
11 leaf, 8,200 lbs. rating	43-434
12 leaf, 9,200 lbs. rating	43-436
6 leaf, tapered, 5,400 lbs. rating	43-548

CF, CFT Models w/1" Pins

Description	Part #
6 leaf, 3,900 lbs. rating	43-512



Note: Spring part numbers shown above are only the most common. This is not intended to be an all-encompassing list. Careful verification of all dimensions, capacity and specific application installation factors will determine the final selection of the replacement spring.

© 2019 Triangle Suspension Systems Inc.

Suspension Application Guide

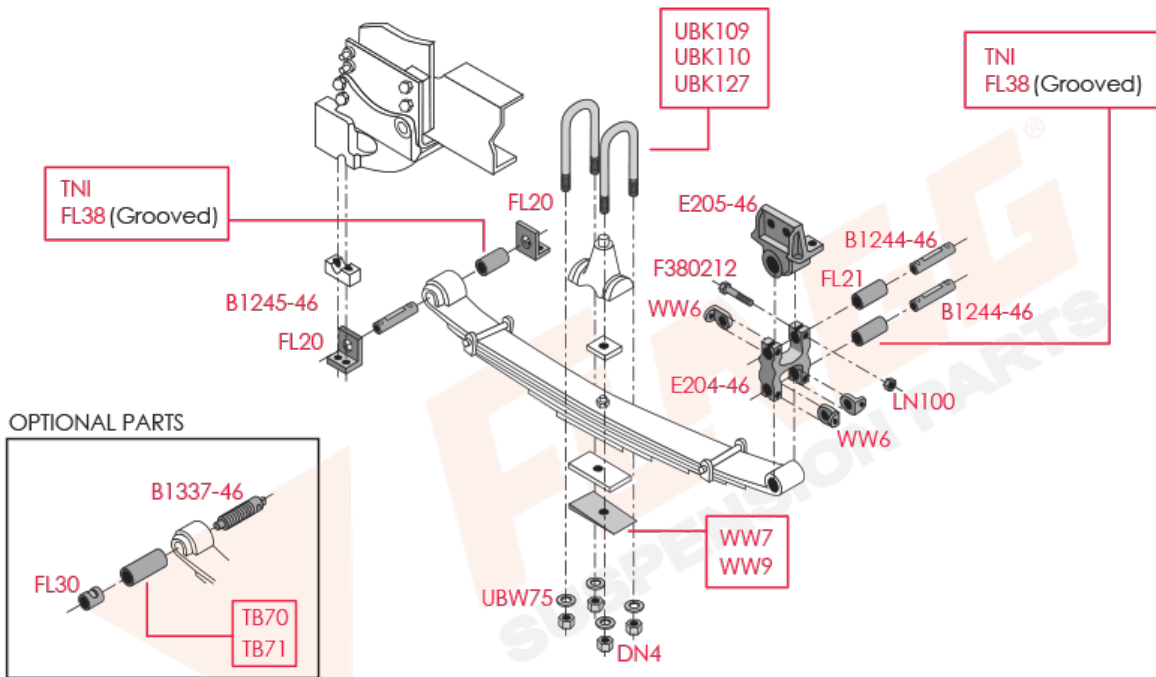
Table of Contents by Vehicle Application Type

~~ Freightliner Truck/Tractor Suspension ~~	Page
Freightliner, 120 Series, FLD112 Conventional, Models with 3-1/2" Springs, Front	161
Freightliner, Air Liner, FAS I - Rear	162
Freightliner, Airtek with Steertek NXT Axle for Vehicles built after November 2011: Models Cascadia and Coronado, Front	163
Freightliner, Airtek, Vehicles built prior to May 2010, Western Star: Vehicles built prior to June 2010, Sterling: Vehicles built prior to April 2009, Front	165
Freightliner, Business Class & Century Class Models, Front	167
Freightliner, Business Class, Rear, Single Axle, No Eye, Rear	168
Freightliner, Business Class, Single Eye Spring, Rear	169
Freightliner, FAS Air Liner II, 40K (Hockey Stick), Rear	170
Freightliner, FAS Air Liner II, 46K (Walking Stick), Rear	171
Freightliner, FH32 - 36 Models, Early, Rear	172
Freightliner, FH34-38, Models with 4" Springs, Rear	173
Freightliner, FH34A, 38A, 44A, Models with 4" wide Springs, Rear	174
Freightliner, FH36-40, Models with 3" wide Springs, Rear	175
Freightliner, FLC112/FLD120, Multi-Leaf, Front	176
Freightliner, M2 and Sterling Acterra, Eye and Slipper Spring, Front	177
Freightliner, M2BC & Sterling Acterra, Double Eye, Single Axle, Rear	178
Freightliner, Models Conv, C.O.E. with 3-1/2" Springs, Front	179
Freightliner, Models FC, FL, FL112, FLD, MB, M2BC, MT55 Century, Columbia, Coronado, Cascadia, Argosy, Condor, with Rubber Bushings, Front	180
Freightliner, Models FC, FL, FL112, FLD, with 56" Springs, MB, M2B2, MT55, Columbia, Coronado, Cascadia, Conventional, Argosy, Condor, Sterling, Acterra, A, L, S Series, Condor LCF, Cargo, Front	181
Freightliner, Models FH32, 36, 40, 44 with 4" wide Springs, Rear	182
Freightliner, Models FL, FLD, M2, Century, Columbia, Coronado, Cascadia, Argosy, Multi Leaf, Front	183
Freightliner, Models FLC112 Conventional, FLC120, FLA, FLB, FLL, FLT, FLD, with 54" Springs, Front	184
Freightliner, Models M2BC, (Sterling) Acterra, Single Axle, Eye and Slipper Spring, Rear	185
Freightliner, Models MB, FL, 60/70/80/106, M2BC, MT55, Single Axle w/Torque Arm Springs, Rear	186
Freightliner, Models MT35, MT45 & FCC, Front	187
Freightliner, Models MT35, MT45 & FCC, Rear	188
Freightliner, TufTrac 40K, 46K, 52K, Rear	189

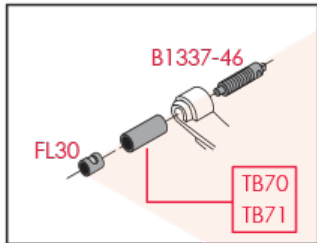
Freightliner, 120 Series, FLD112 Conventional, Models with 3-1/2" Springs, Front, Truck/Tractor Suspension



FREIGHTLINER 120 SERIES, FLD112 CONVENTIONAL MODELS WITH 3-1/2" SPRING (FRONT) TRUCK/TRACTOR SUSPENSION



OPTIONAL PARTS



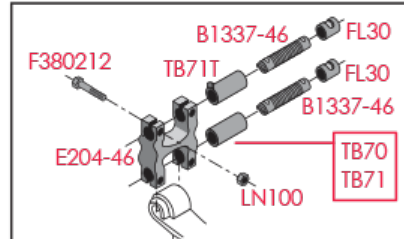
Common U-Bolt Options

3/4 x 3-1/2 x 10 - round	- UBK109
3/4 x 3-1/2 x 12 - round	- UBK110
7/8 x 3-1/2 x 12 - round	- UBK127

Note: U-Bolt numbers shown are only the most common. This is not intended to be an all encompassing list.

Description	Part #
pad/4 leaf/2pads	46-860
pad/4 leaf/2 pads, heavy	46-862

OPTIONAL PARTS

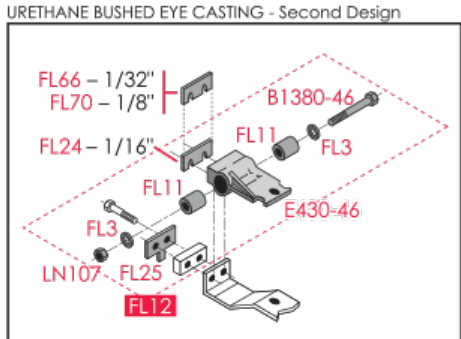
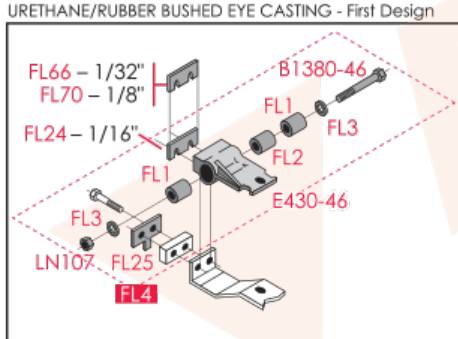
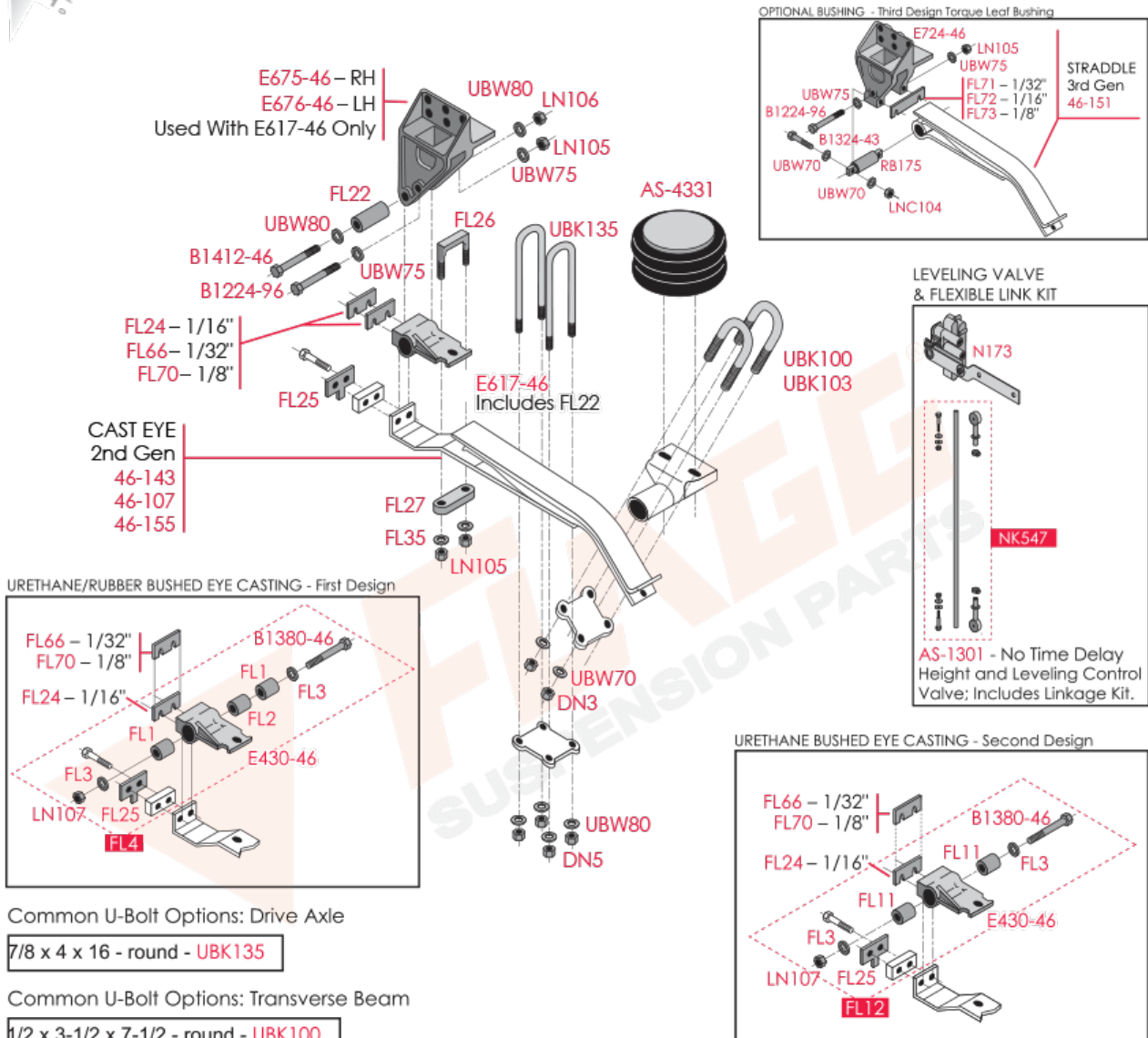


Note: Spring part numbers shown above are only the most common. This is not intended to be an all-encompassing list. Careful verification of all dimensions, capacity and specific application installation factors will determine the final selection of the replacement spring.

Freightliner, Air Liner, FAS I - Rear, Truck/Tractor Suspension



FREIGHTLINER AIR LINER, FAS I - REAR TRUCK/TRACTOR SUSPENSION



Common U-Bolt Options: Drive Axle
 7/8 x 4 x 16 - round - **UBK135**

Common U-Bolt Options: Transverse Beam
 1/2 x 3-1/2 x 7-1/2 - round - **UBK100**
 5/8 x 3-1/2 x 7-1/2 - round - **UBK103**

Note: U-Bolt numbers shown are only the most common. This is not intended to be an all encompassing list.

1st Design		2nd Design		3rd Design	
Description	Part #	Description	Part #	Description	Part #
7 leaf	46-951	3 leaf, 2/1	46-155	3 leaf, 2/1, Rubber Bushing in TL	46-151
4 leaf	46-933				

Note: Spring part numbers shown above are only the most common. This is not intended to be an all-encompassing list. Careful verification of all dimensions, capacity and specific application installation factors will determine the final selection of the replacement spring.

Freightliner, Airtek with Steertek NXT Axle for Vehicles built after November 2011: Models Cascadia and Coronado, Front, Truck/Tractor Suspension

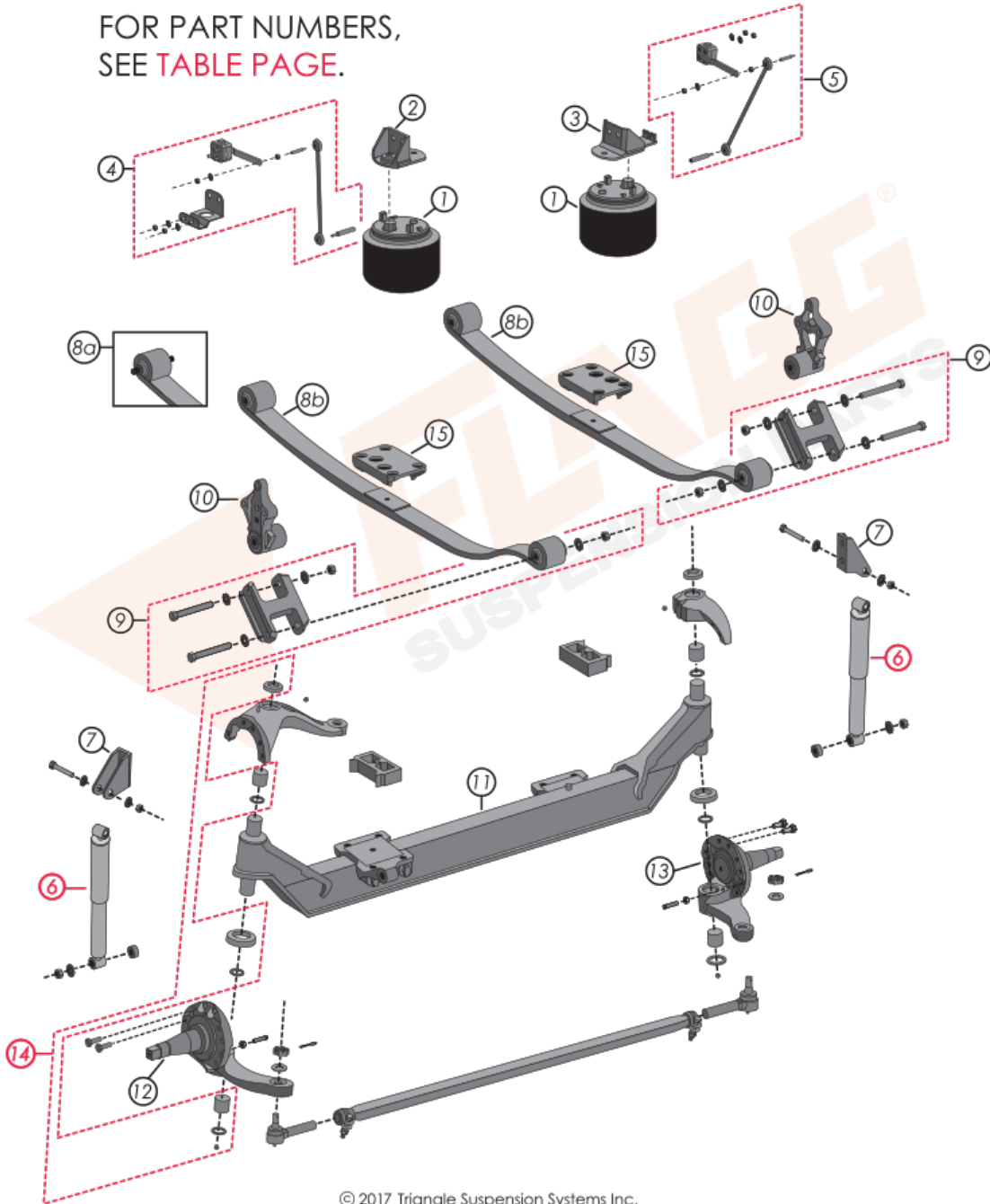


FREIGHTLINER AIRTEK W/ STEERTEK NXT AXLE FOR VEHICLES BUILT AFTER NOVEMBER 2011 MODELS CASCADIA AND CORONADO TRUCK/TRACTOR SUSPENSION

***BOLD RED NUMBERS REFLECT TRIANGLE PART NUMBERS**

**ITALICIZED BLACK NUMBERS REFLECT OEM NUMBERS (USE FOR REFERENCE ONLY)*

FOR PART NUMBERS,
SEE **TABLE PAGE**.



© 2017 Triangle Suspension Systems Inc.

Freightliner, Airtek with Steertek NXT Axle for Vehicles built after November 2011: Models Cascadia and Coronado, TABLE PAGE

FREIGHTLINER

AIRTEK W/ STEERTEK NXT AXLE
 FOR VEHICLES BUILT AFTER NOVEMBER 2011
 MODELS CASCADIA AND CORONADO
 TRUCK/TRACTOR SUSPENSION

①	69116-002L	AIR SPRING			
	60850-001				
②		LH AIR SPRING BRACKET		⑬	58900-402 58900-404 58900-406
					RH LOWER STEERING KNUCKLE ASSEMBLY 250 ACKERMANN 200 ACKERMANN 150 ACKERMANN
③	60850-002	RH AIR SPRING BRACKET			
④	59427-019L	LH HCV & LINKAGE ASSEMBLY 4.25" DROP, 315 MM RIDE HEIGHT 5.36" DROP, 280 MM RIDE HEIGHT		⑭	HS118K HS116K HS117K 60904-032
	59427-027	4.25" DROP, 355 MM RIDE HEIGHT 5.36" DROP, 315 MM RIDE HEIGHT			KINGPIN BUSHING & BEARING SERVICE KIT BOTH SIDES LH ONLY RH ONLY
⑤	59427-034	RH HCV & LINKAGE ASSEMBLY 4.25" DROP, 315 MM RIDE HEIGHT 5.36" DROP, 280 MM RIDE HEIGHT		⑮	59826-000
	59427-036	4.25" DROP, 355 MM RIDE HEIGHT 5.36" DROP, 315 MM RIDE HEIGHT			TOP PAD
⑥	F65530	SHOCK ABSORBER			
⑦	59423-001	SHOCK BRACKET			
⑧a	59930-057 59930-058 59930-059 59930-060	SPRING			
⑧b	59930-061 59930-062	SPRING			
⑨	68274-001	SHACKLE BRACKET ASSEMBLY			
⑩	68127-001	SHACKLE BRACKET AND BUSHING ASSEMBLY			
⑪	68966-001M 68966-002M	AXLE & KING PIN ASSEMBLY 4.25" DROP 5.36" DROP			
⑫	58900-401 58900-403 58900-405	LH LOWER STEERING KNUCKLE ASSEMBLY 250 ACKERMANN 200 ACKERMANN 150 ACKERMANN			

Freightliner, Airtek, Vehicles built prior to May 2010, Western Star: Vehicles built prior to June 2010, Sterling: Vehicles built prior to April 2009, Front, Truck/Tractor Suspension



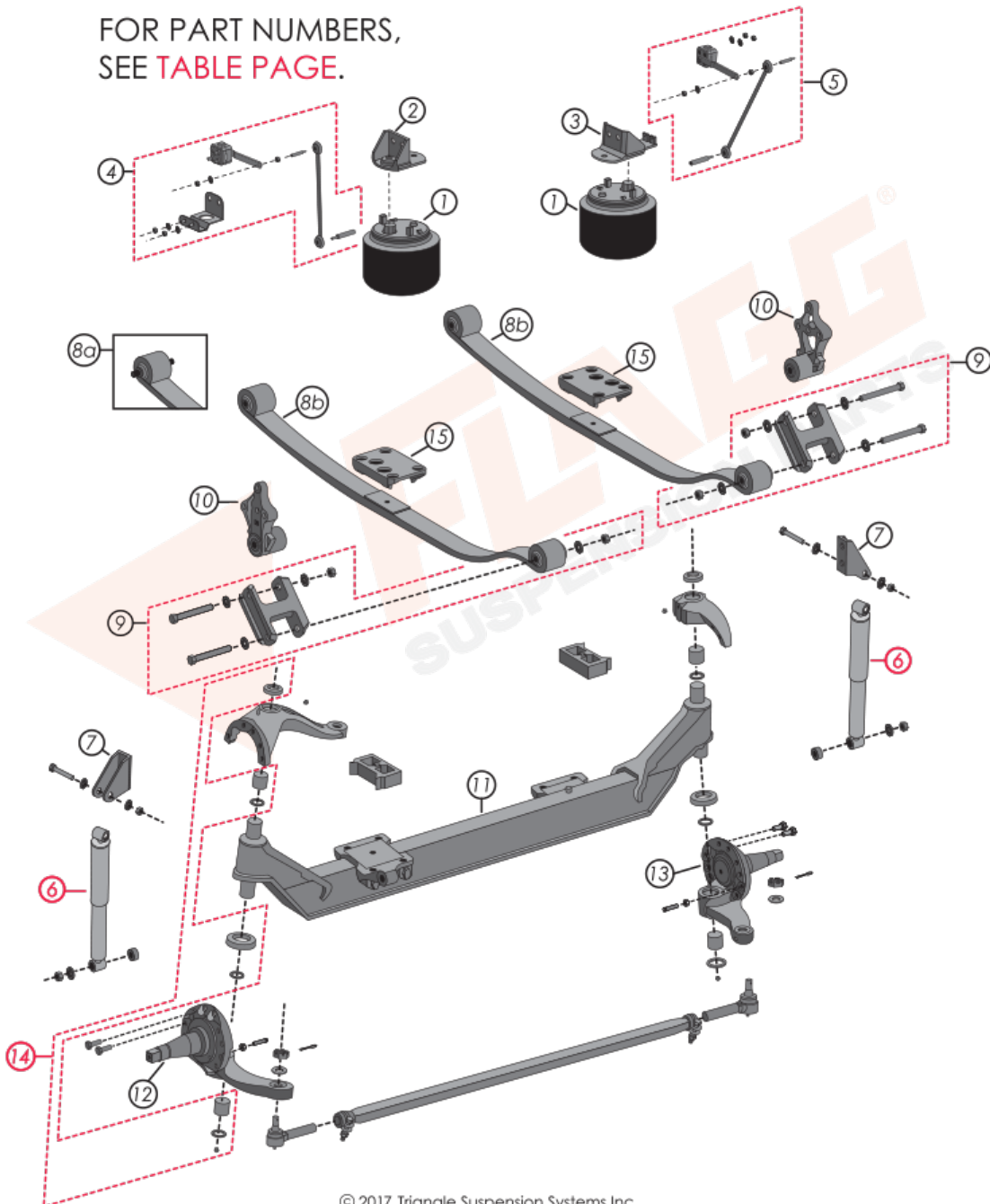
FREIGHTLINER

AIRTEK W/ STEERTEK NXT AXLE
FOR VEHICLES BUILT AFTER NOVEMBER 2011
MODELS CASCADIA AND CORONADO
TRUCK/TRACTOR SUSPENSION

***BOLD RED NUMBERS REFLECT TRIANGLE PART NUMBERS**

**ITALICIZED BLACK NUMBERS REFLECT OEM NUMBERS (USE FOR REFERENCE ONLY)*

FOR PART NUMBERS,
SEE **TABLE PAGE**.



© 2017 Triangle Suspension Systems Inc.

Freightliner, Airtek, Vehicles built prior to May 2010, Western Star: Vehicles built prior to June 2010, Sterling: Vehicles built prior to April 2009, TABLE PAGE

FREIGHTLINER

AIRTEK W/ STEERTEK NXT AXLE
 FOR VEHICLES BUILT AFTER NOVEMBER 2011
 MODELS CASCADIA AND CORONADO
 TRUCK/TRACTOR SUSPENSION

①	69116-002L	AIR SPRING			
	60850-001				
②		LH AIR SPRING BRACKET		⑬	58900-402 58900-404 58900-406
					RH LOWER STEERING KNUCKLE ASSEMBLY 250 ACKERMANN 200 ACKERMANN 150 ACKERMANN
③	60850-002	RH AIR SPRING BRACKET			
④	59427-019L 59427-027	LH HCV & LINKAGE ASSEMBLY 4.25" DROP, 315 MM RIDE HEIGHT 5.36" DROP, 280 MM RIDE HEIGHT 4.25" DROP, 355 MM RIDE HEIGHT 5.36" DROP, 315 MM RIDE HEIGHT		⑭	HS118K HS116K HS117K 60904-032
					KINGPIN BUSHING & BEARING SERVICE KIT BOTH SIDES LH ONLY RH ONLY
				⑮	59826-000
⑤	59427-034 59427-036	RH HCV & LINKAGE ASSEMBLY 4.25" DROP, 315 MM RIDE HEIGHT 5.36" DROP, 280 MM RIDE HEIGHT 4.25" DROP, 355 MM RIDE HEIGHT 5.36" DROP, 315 MM RIDE HEIGHT			TOP PAD
⑥	F65530	SHOCK ABSORBER			
⑦	59423-001	SHOCK BRACKET			
⑧a	59930-057 59930-058 59930-059 59930-060	SPRING			
⑧b	59930-061 59930-062	SPRING			
⑨	68274-001	SHACKLE BRACKET ASSEMBLY			
⑩	68127-001	SHACKLE BRACKET AND BUSHING ASSEMBLY			
⑪	68966-001M 68966-002M	AXLE & KING PIN ASSEMBLY 4.25" DROP 5.36" DROP			
⑫	58900-401 58900-403 58900-405	LH LOWER STEERING KNUCKLE ASSEMBLY 250 ACKERMANN 200 ACKERMANN 150 ACKERMANN			

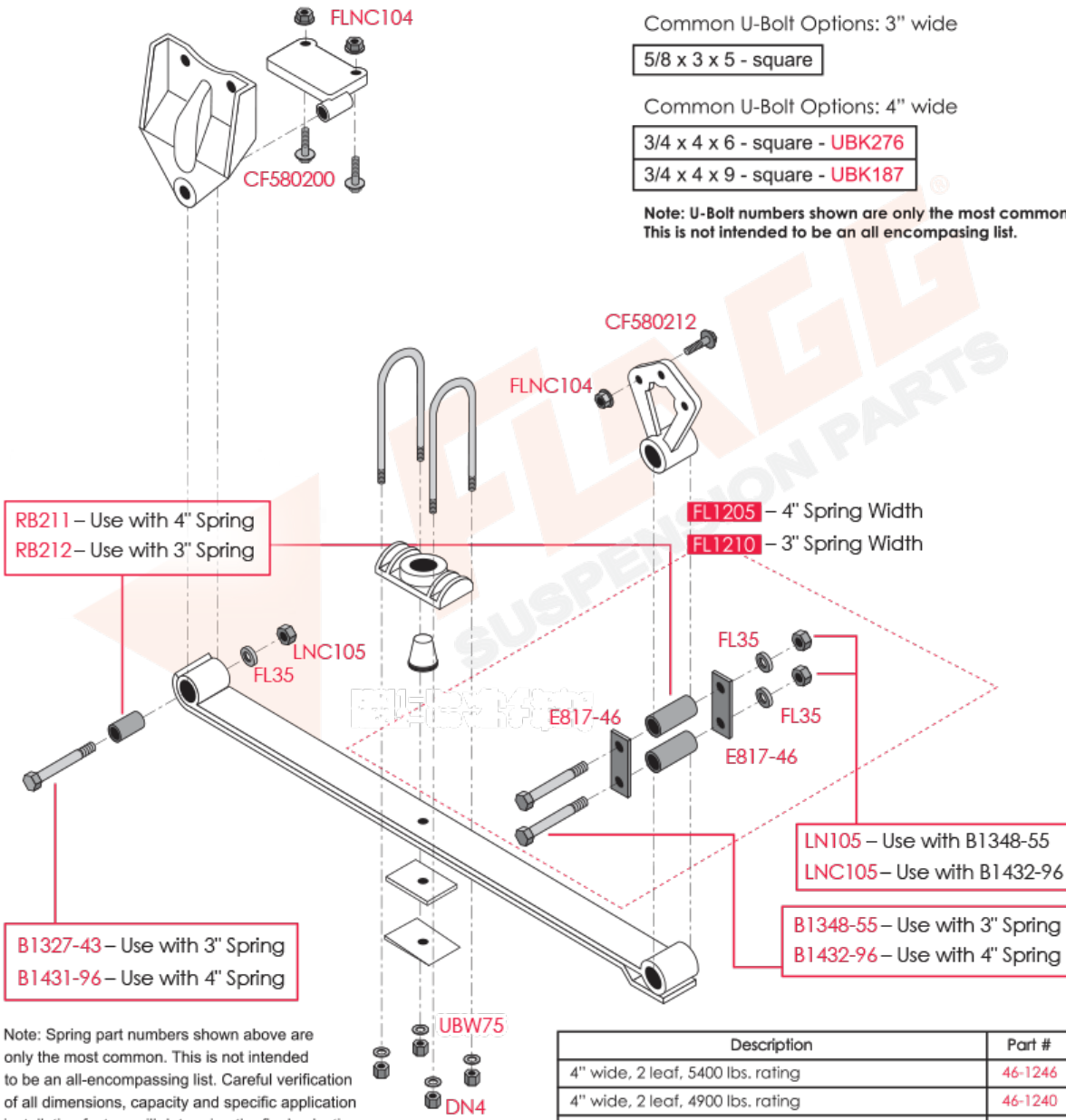
Freightliner, Business Class & Century Class Models, Front, Truck/Tractor Suspension



FREIGHTLINER BUSINESS CLASS & CENTURY CLASS MODELS (FRONT) TRUCK/TRACTOR SUSPENSION

Use this drawing for the following:

- MB-FL50, MB-FL60, MB-FL70, MB-FL80; FL106 Models with 3" Spring Width
- All Century Class Models with 4" Spring Width



Note: Spring part numbers shown above are only the most common. This is not intended to be an all-encompassing list. Careful verification of all dimensions, capacity and specific application installation factors will determine the final selection of the replacement spring.

Description	Part #
4" wide, 2 leaf, 5400 lbs. rating	46-1246
4" wide, 2 leaf, 4900 lbs. rating	46-1240
3" wide, 2pads/2lvs. 26 x 30, RB212 bushing both ends	46-1574
3" wide, 2 leaf, 4500 lbs. rating	46-1242
3" wide, 2 leaf, 3000 lbs. rating	46-1248

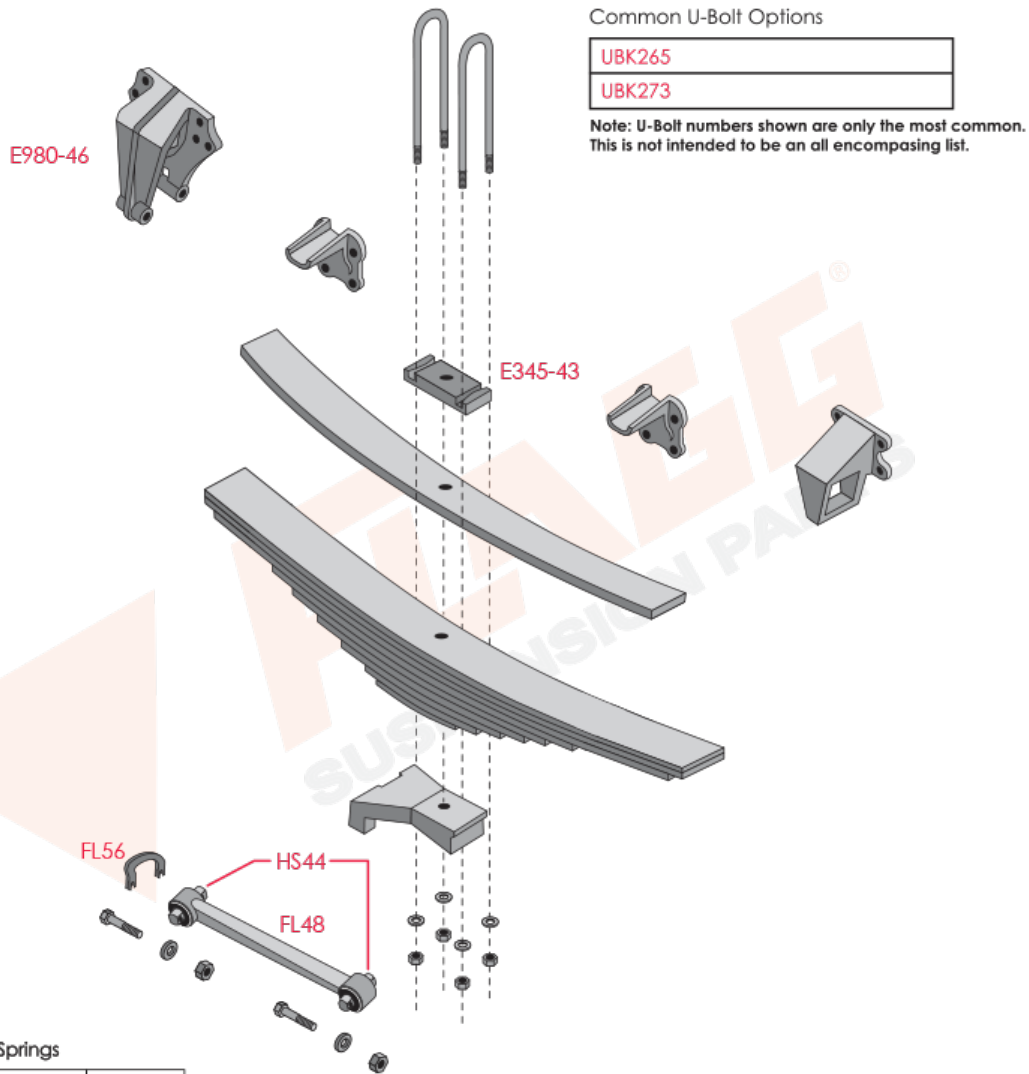
Freightliner, Business Class, Rear, Single Axle, No Eye, Rear, Truck/Tractor Suspension



FREIGHTLINER BUSINESS CLASS - REAR - SINGLE AXLE, NO EYE TRUCK/TRACTOR SUSPENSION

***BOLD RED NUMBERS REFLECT TRIANGLE PART NUMBERS**

**ITALICIZED BLACK NUMBERS REFLECT OEM NUMBERS (USE FOR REFERENCE ONLY)*



Common U-Bolt Options

UBK265

UBK273

Note: U-Bolt numbers shown are only the most common. This is not intended to be an all encompassing list.

Common Replacement Springs

Description	Part #
Use 46-169	46-159
1/2 pad/8 leaf, 15,500 lbs. rating	46-1383
8 leaf, 13,000 lbs. rating	46-1355
7 leaf, 8,800 lbs. rating	46-169
6 leaf/2 pad, 8,800 lbs. rating	46-1209
7 leaf, 10,150 lbs. rating	46-171
Use 46-169	46-127
Use 46-171	46-129
Use 46-1383	46-1311
8 leaf, 13,000 lbs. rating	46-1357

Common Replacement Helper Springs

Description	Part #
Use 46-1359	46-161
1 leaf/2 pad, 2,500 lbs. rating	46-1359

© 2018 Triangle Suspension Systems Inc.

Freightliner, Business Class, Single Eye Spring, Rear, Truck/Tractor Suspension



FREIGHTLINER BUSINESS CLASS SINGLE EYE SPRING

***BOLD RED NUMBERS REFLECT TRIANGLE PART NUMBERS**

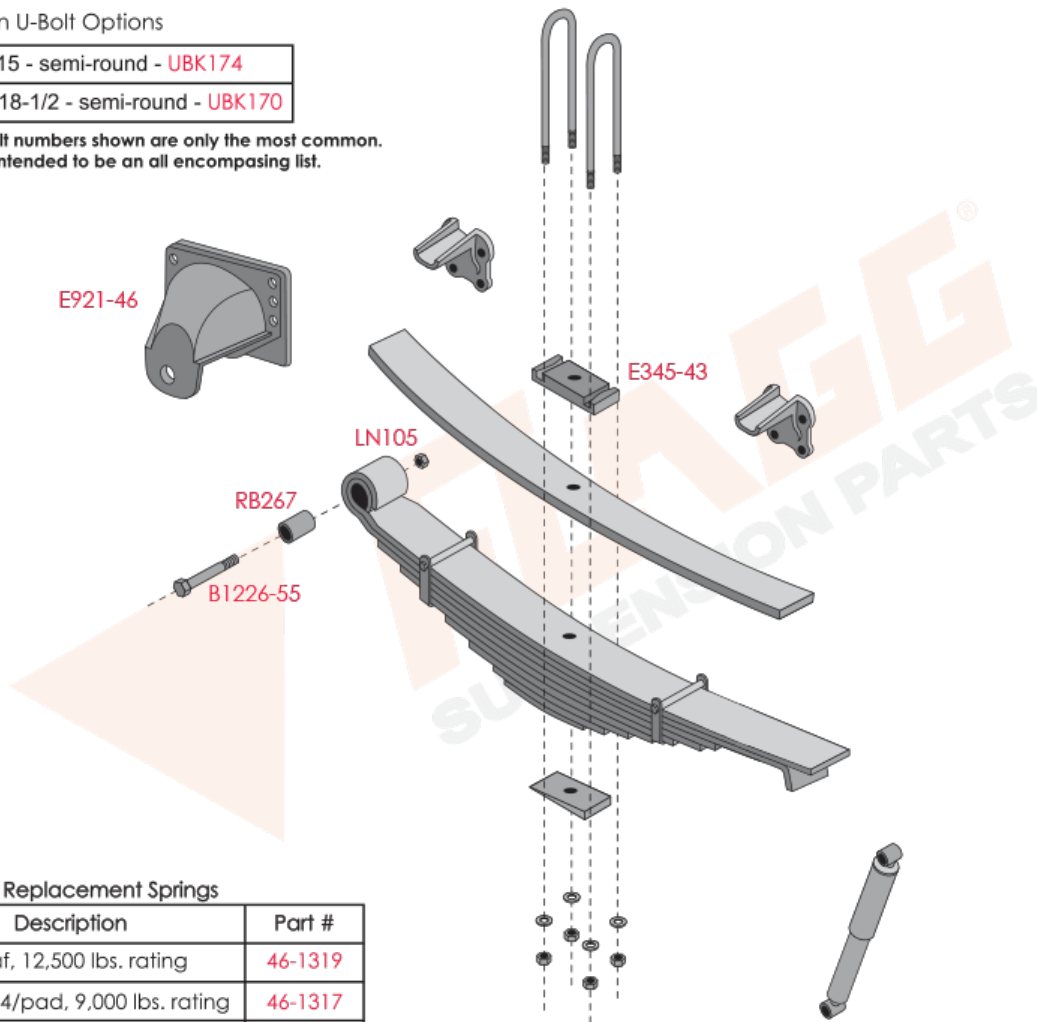
**ITALICIZED BLACK NUMBERS REFLECT OEM NUMBERS (USE FOR REFERENCE ONLY)*

Common U-Bolt Options

3/4 x 3 x 15 - semi-round - **UBK174**

7/8 x 3 x 18-1/2 - semi-round - **UBK170**

Note: U-Bolt numbers shown are only the most common.
This is not intended to be an all encompassing list.



Common Replacement Springs

Description	Part #
7 leaf, 12,500 lbs. rating	46-1319
8 leaf, 3/4/pad, 9,000 lbs. rating	46-1317
8 leaf, 14,000 lbs. rating	46-1319HD

Common Replacement Helper Springs

Description	Part #
1 leaf/pad, 2,500 lbs. rating	46-161
1 leaf/pad, heavy duty, 2,500 lbs. rating	46-1359

Note: Spring part numbers shown above are only the most common. This is not intended to be an all-encompassing list. Careful verification of all dimensions, capacity and specific application installation factors will determine the final selection of the replacement spring.

© 2019 Triangle Suspension Systems Inc.

Freightliner, FAS Air Liner II, 40K (Hockey Stick), Rear, Truck/Tractor Suspension



FREIGHTLINER - AIR LINER II (REAR) 40,000 Lbs. Capacity - TRUCK/TRACTOR SUSPENSION

***BOLD RED NUMBERS REFLECT TRIANGLE PART NUMBERS**

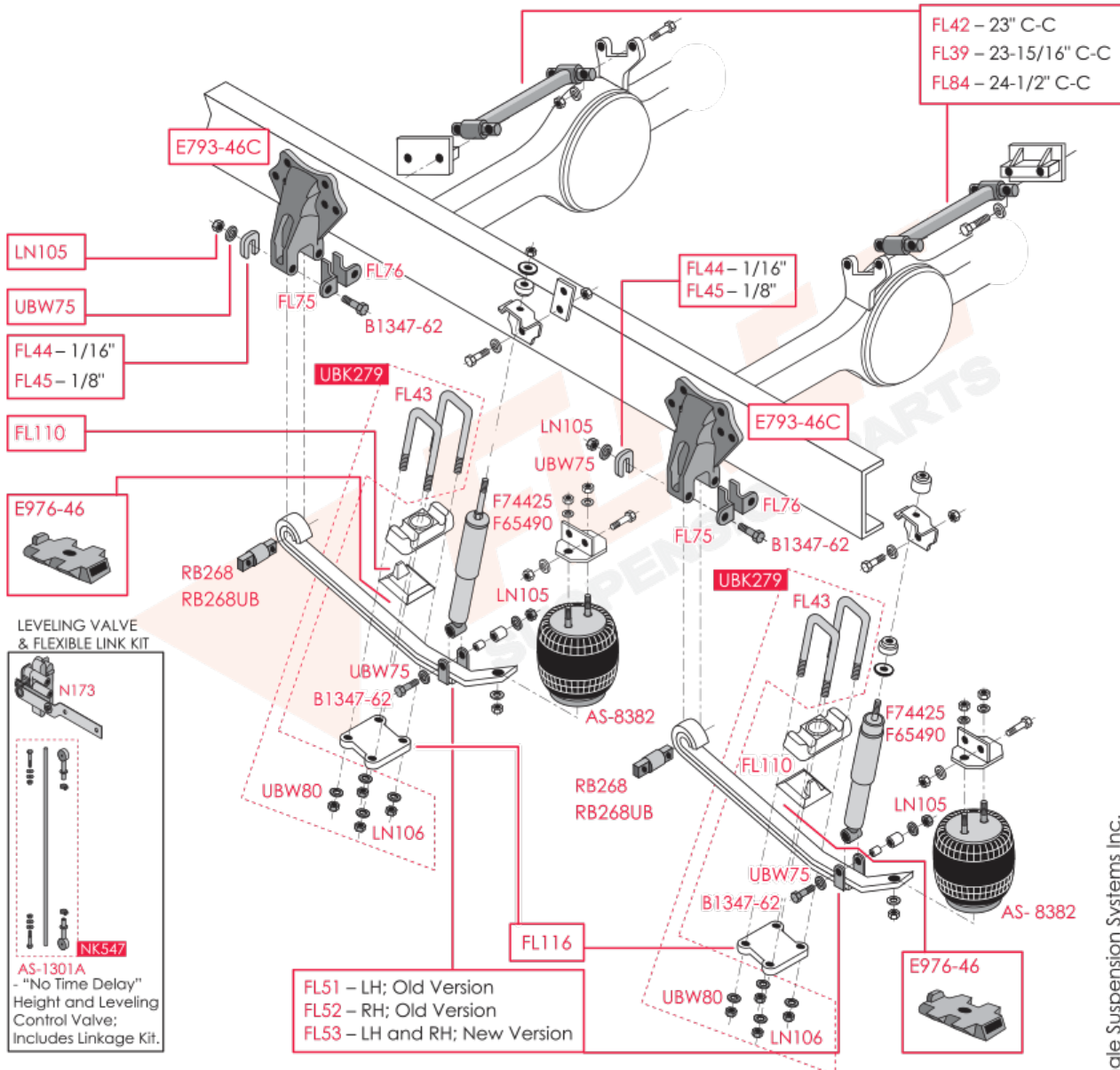
**ITALICIZED BLACK NUMBERS REFLECT OEM NUMBERS (USE FOR REFERENCE ONLY)*

Common U-Bolt Options

7/8 x FLT special x 15-1/2 - semi-round - **UBK279**

FL43 - U-Bolt only.

Note: U-Bolt numbers shown are only the most common. This is not intended to be an all encompassing list.



2nd Design

Description	Part #
2 leaf, LH	46-1307
2 leaf, RH	46-1309

3rd Design

Description	Part #
1 leaf, 1/shock plate - LH	46-1345
1 leaf, 1/shock plate - RH	46-1347

Note: Spring part numbers shown are only the most common. This is not intended to be an all-encompassing list. Careful verification of all dimensions, capacity and specific application installation factors will determine the final selection of the replacement spring.

© 2017 Triangle Suspension Systems Inc.

Freightliner, FAS Air Liner II, 46K (Walking Stick), Rear, Truck/Tractor Suspension



FREIGHTLINER - AIR LINER II (REAR)

46,000 Lbs. Capacity - TRUCK/TRACTOR SUSPENSION

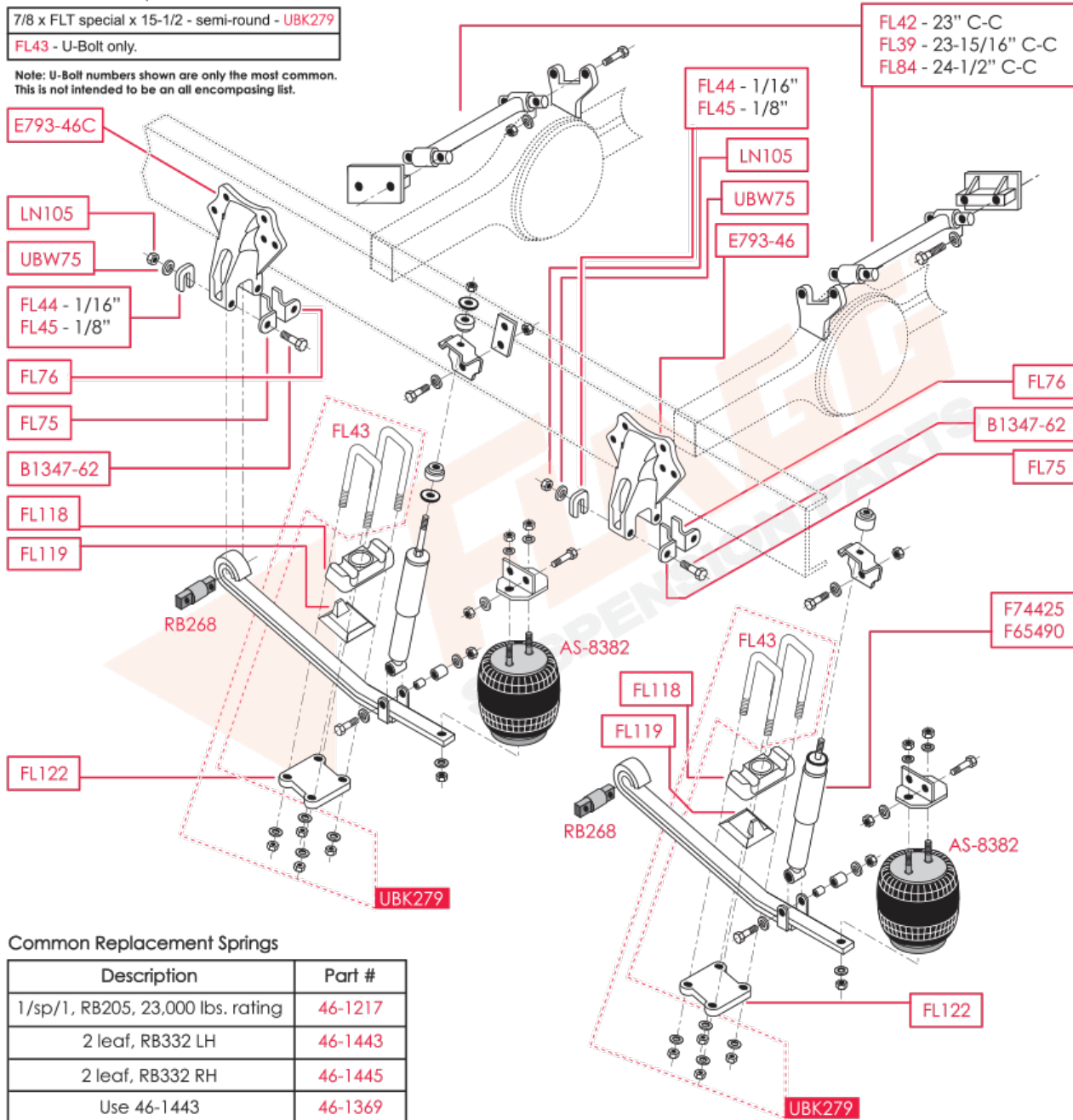
***BOLD RED NUMBERS REFLECT TRIANGLE PART NUMBERS**

**ITALICIZED BLACK NUMBERS REFLECT OEM NUMBERS (USE FOR REFERENCE ONLY)*

Common U-Bolt Options

7/8 x FLT special x 15-1/2 - semi-round - **UBK279**
FL43 - U-Bolt only.

Note: U-Bolt numbers shown are only the most common. This is not intended to be an all encompassing list.



Common Replacement Springs

Description	Part #
1/sp/1, RB205, 23,000 lbs. rating	46-1217
2 leaf, RB332 LH	46-1443
2 leaf, RB332 RH	46-1445
Use 46-1443	46-1369
Use 46-1445	46-1351

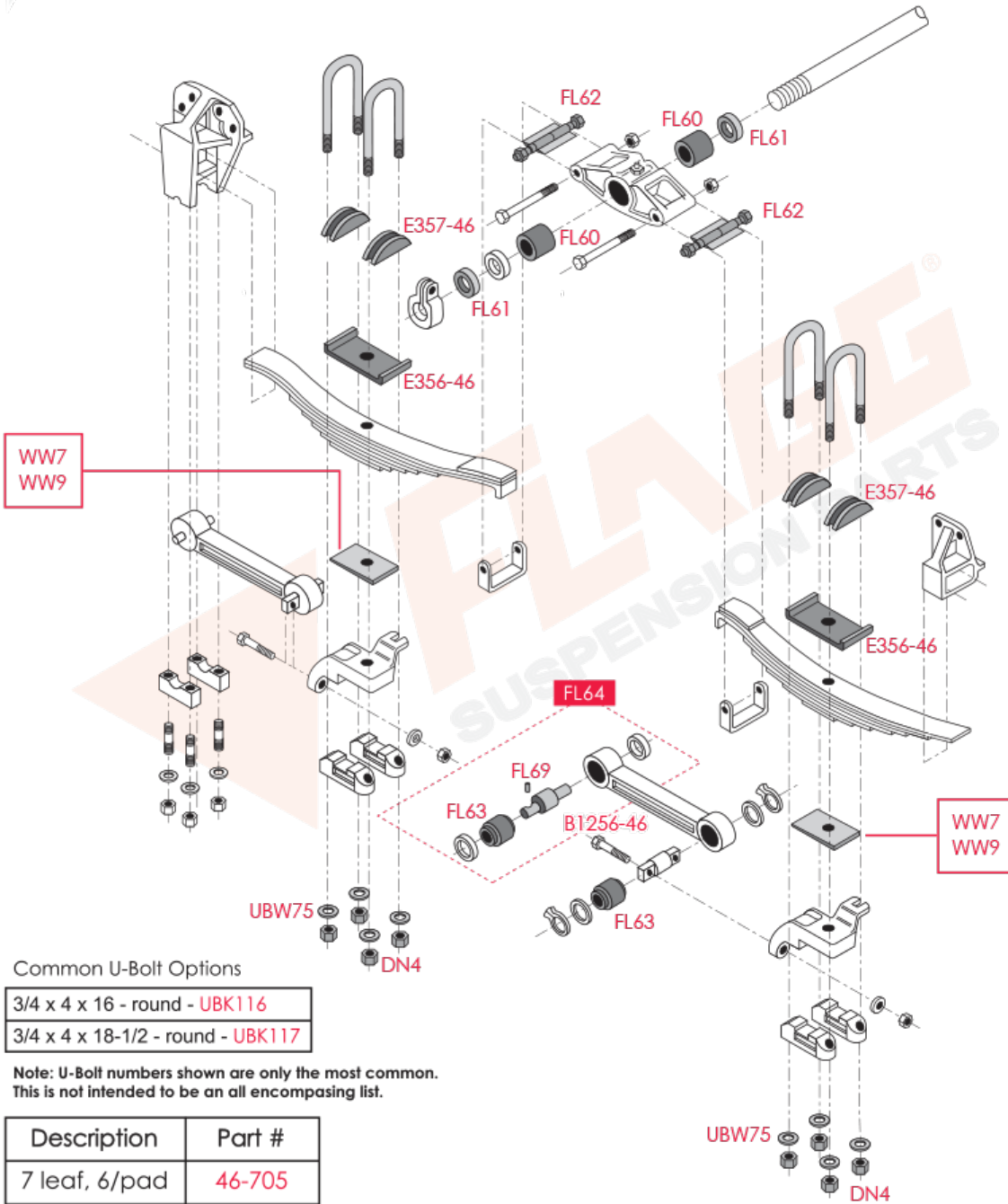
Note: Spring part numbers shown above are only the most common. This is not intended to be an all-encompassing list. Careful verification of all dimensions, capacity and specific application installation factors will determine the final selection of the replacement spring.

© 2018 Triangle Suspension Systems Inc.

Freightliner, FH32 - 36 Models, Early, Rear, Truck/Tractor Suspension



FREIGHTLINER FH32 - 36 MODELS - REAR, EARLY TRUCK/TRACTOR SUSPENSION



Common U-Bolt Options

3/4 x 4 x 16 - round - UBK116
3/4 x 4 x 18-1/2 - round - UBK117

Note: U-Bolt numbers shown are only the most common. This is not intended to be an all encompassing list.

Description	Part #
7 leaf, 6/pad	46-705

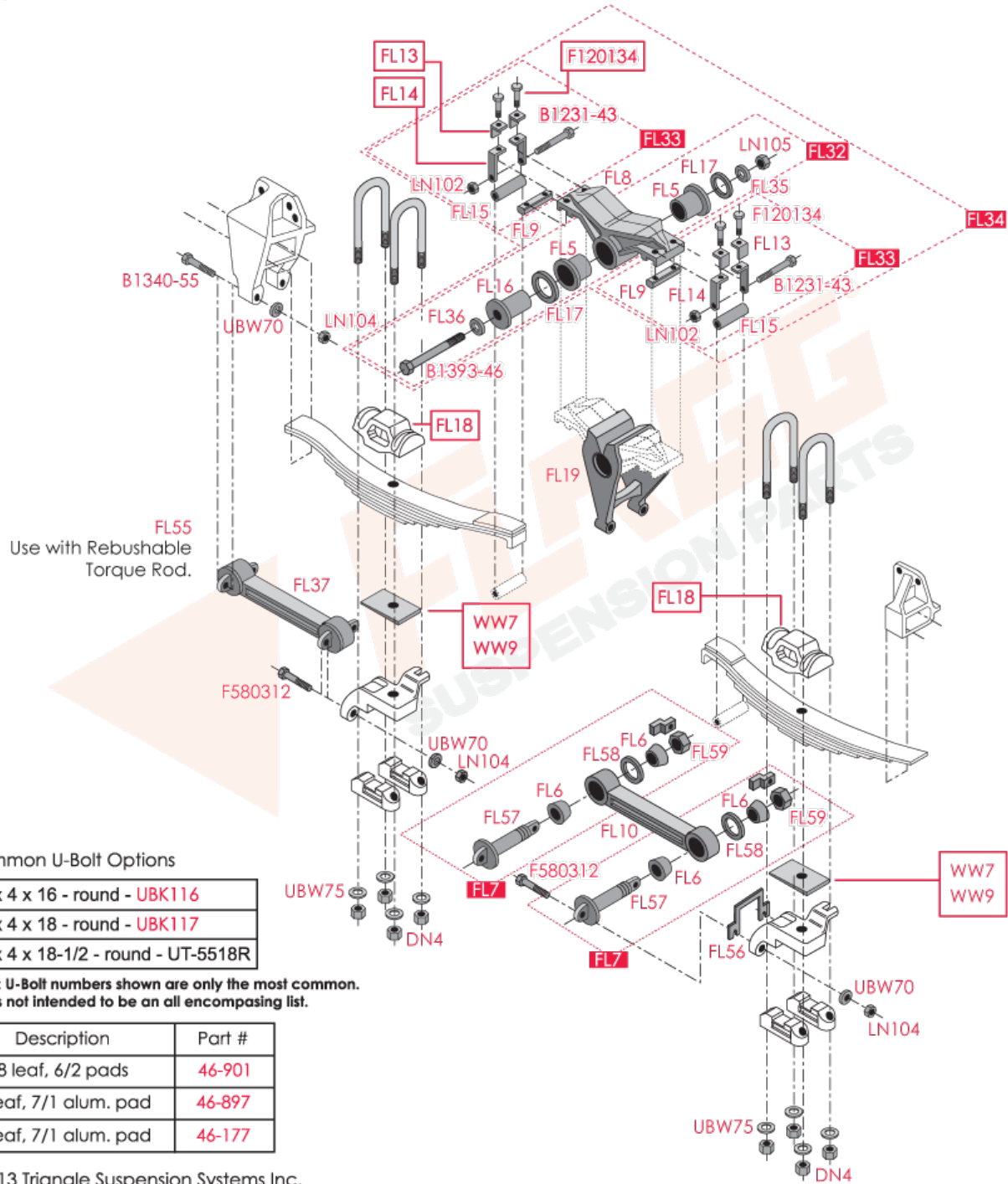
Note: Spring part numbers shown above are only the most common. This is not intended to be an all-encompassing list. Careful verification of all dimensions, capacity and specific application installation factors will determine the final selection of the replacement spring.

© 2019 Triangle Suspension Systems Inc.

Freightliner, FH34-38, Models with 4" Springs, Rear, Truck/Tractor Suspension



FREIGHTLINER FH34 & FH38 (REAR) - MODELS WITH 4" SPRINGS TRUCK/TRACTOR SUSPENSION



Common U-Bolt Options

3/4 x 4 x 16 - round - UBK116
3/4 x 4 x 18 - round - UBK117
7/8 x 4 x 18-1/2 - round - UT-5518R

Note: U-Bolt numbers shown are only the most common. This is not intended to be an all encompassing list.

Description	Part #
8 leaf, 6/2 pads	46-901
8 leaf, 7/1 alum. pad	46-897
8 leaf, 7/1 alum. pad	46-177

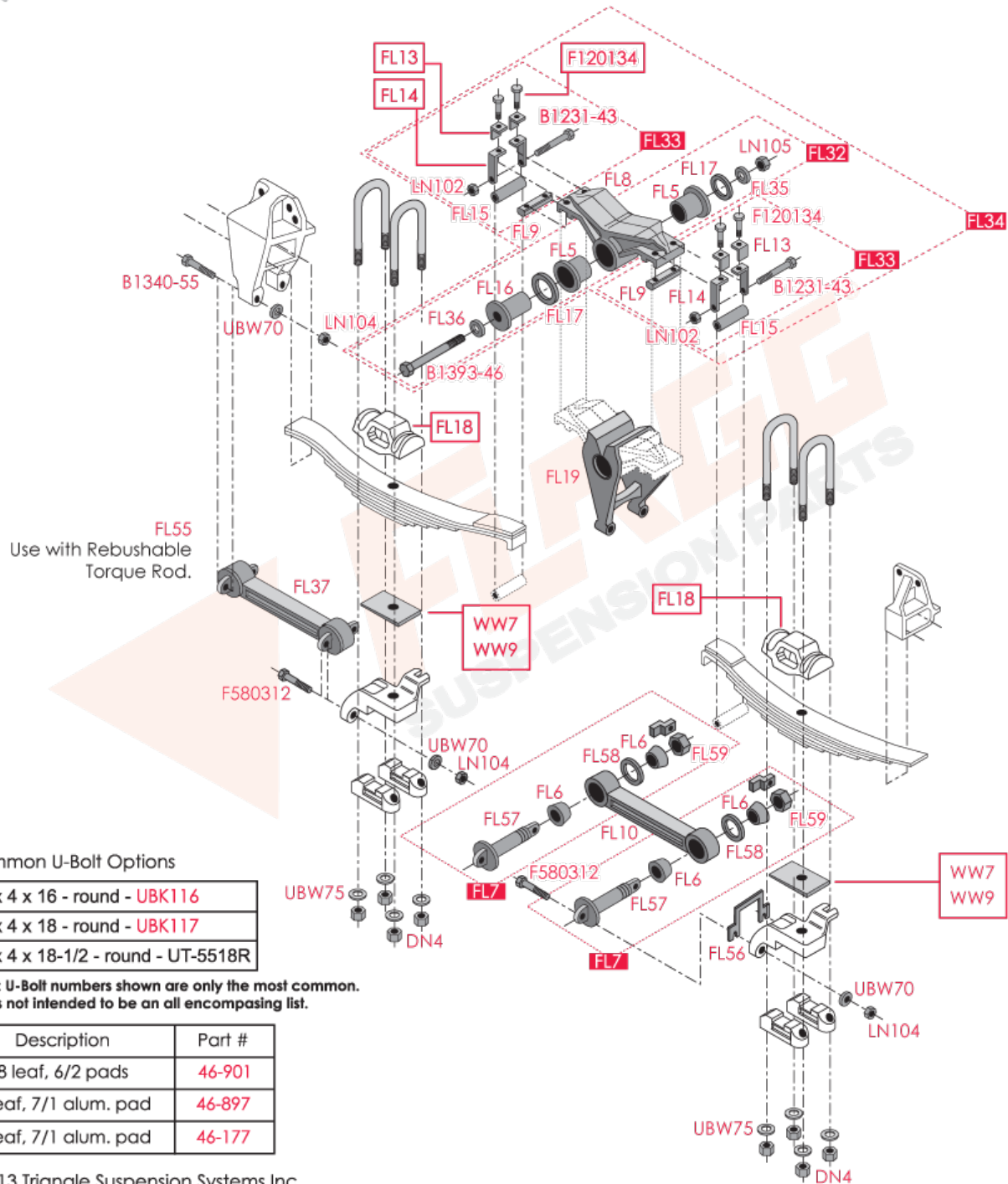
© 2013 Triangle Suspension Systems Inc.

Note: Spring part numbers shown above are only the most common. This is not intended to be an all-encompassing list. Careful verification of all dimensions, capacity and specific application installation factors will determine the final selection of the replacement spring.

Freightliner, FH34A, 38A, 44A, Models with 4" wide Springs, Rear, Truck/Tractor Suspension



FREIGHTLINER FH34 & FH38 (REAR) - MODELS WITH 4" SPRINGS TRUCK/TRACTOR SUSPENSION



© 2013 Triangle Suspension Systems Inc.

Note: Spring part numbers shown above are only the most common. This is not intended to be an all-encompassing list. Careful verification of all dimensions, capacity and specific application installation factors will determine the final selection of the replacement spring.

Freightliner, FH36-40, Models with 3" wide Springs, Rear, Truck/Tractor Suspension



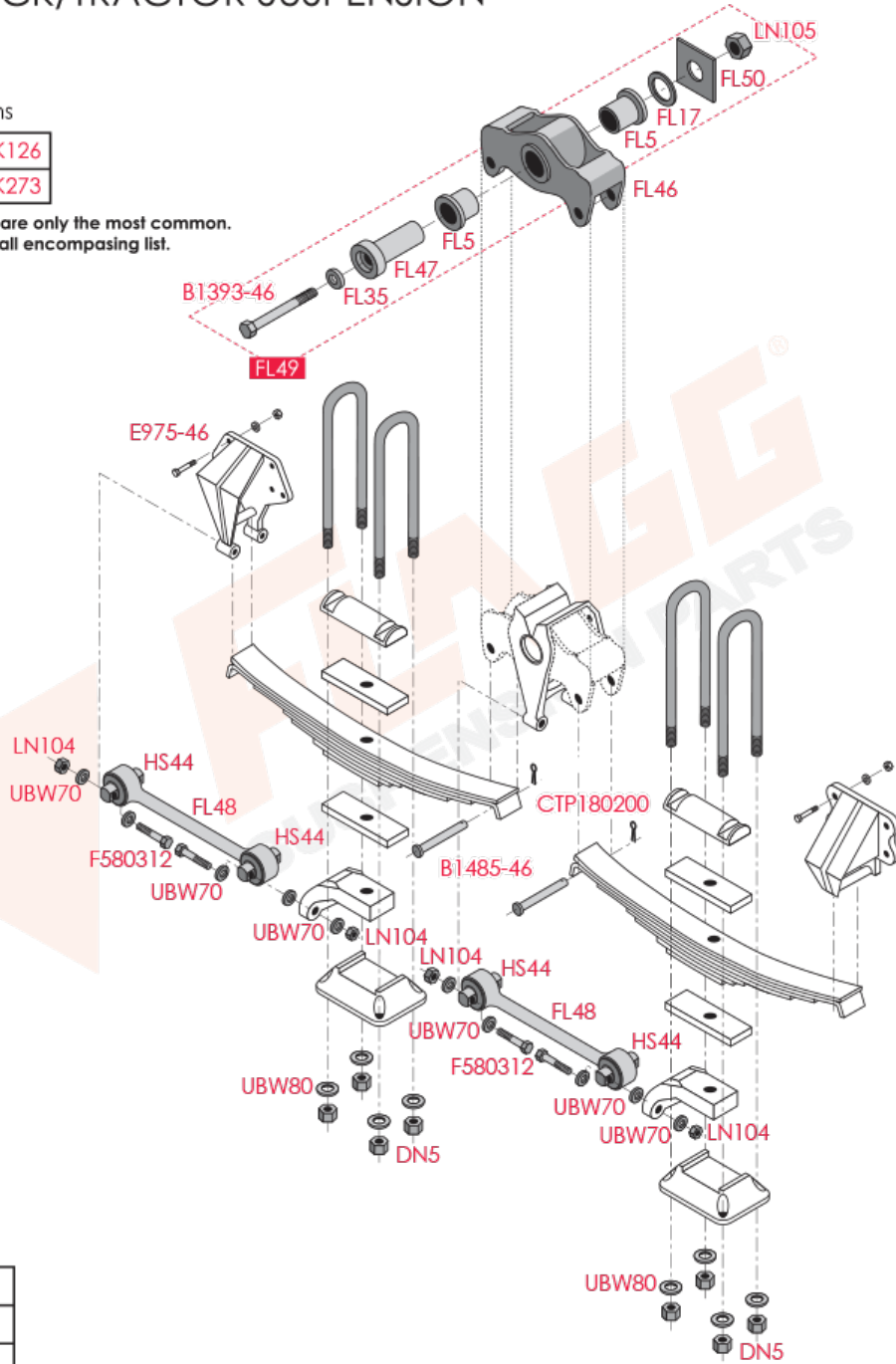
FREIGHTLINER FH36 - 40 (REAR) - MODELS WITH 3" SPRINGS TRUCK/TRACTOR SUSPENSION

Common U-Bolt Options

7/8 x 3 x 16 - round - **UBK126**

7/8 x 3 x 19 - round - **UBK273**

Note: U-Bolt numbers shown are only the most common. This is not intended to be an all encompassing list.



Description	Part #
7 leaf	46-167
8 leaf	46-175

Note: Spring part numbers shown above are only the most common. This is not intended to be an all-encompassing list. Careful verification of all dimensions, capacity and specific application installation factors will determine the final selection of the replacement spring.

© 2018 Triangle Suspension Systems Inc.

Freightliner, FLC112/FLD120, Multi-Leaf, Front, Truck/Tractor Suspension



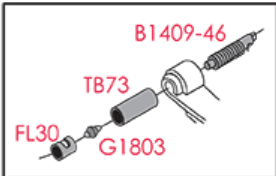
FREIGHTLINER FLC112 / FLD120 MULTI LEAF - (FRONT) TRUCK/TRACTOR SUSPENSION

Common U-Bolt Options

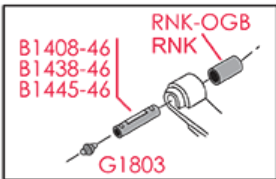
3/4 x 4 x 11-1/2 - round - UBK111
7/8 x 4 x 9-1/2 - round - UBK283
7/8 x 4 x 11 - square - UBK200
7/8 x 4 x 12-1/2 - round - UT-5512R

Note: U-Bolt numbers shown are only the most common. This is not intended to be an all encompassing list.

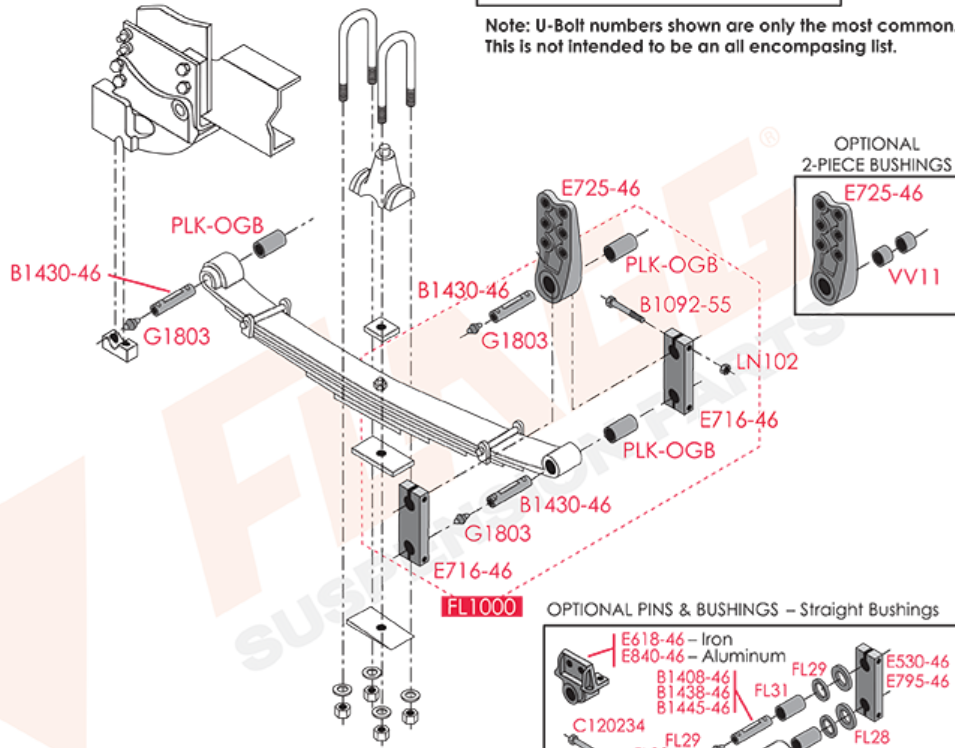
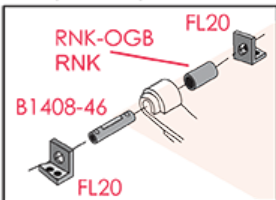
OPTIONAL PIN & BUSHING - Threaded Bushing 1985-97



OPTIONAL PIN & BUSHING - Straight Bushing 1985-97



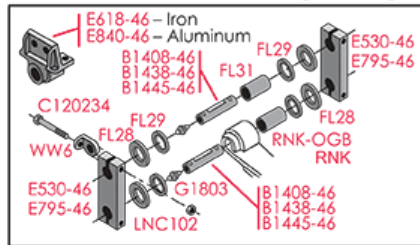
OPTIONAL PIN - Straight Bushing 1985-97



OPTIONAL 2-PIECE BUSHINGS



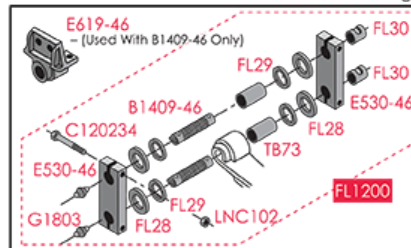
OPTIONAL PINS & BUSHINGS - Straight Bushings



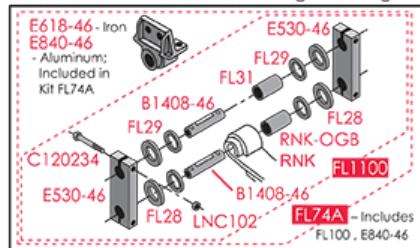
Common Replacement Springs

Description	Part #
2 leaf, 5,480 lbs. rating	46-1430
3 leaf, 10,000 lbs. rating	46-1422
3 leaf, 11,000 lbs. rating	46-1446
8 leaf, 9,100 lbs. rating	46-1398
8 leaf, 11,500 lbs. rating	46-1742
8 leaf/2 pad, 7,280 lbs. rating	46-1480
9 leaf, 10,000 lbs. rating	46-1770
9 leaf, 8,100 lbs. rating	46-1482
10 leaf, 9,100 lbs. rating	46-1238

OPTIONAL PINS & BUSHINGS - Threaded Bushing



OPTIONAL PINS & BUSHINGS - Straight Bushings



Note: Spring part numbers shown above are only the most common. This is not intended to be an all-encompassing list. Careful verification of all dimensions, capacity and specific application installation factors will determine the final selection of the replacement spring.

Freightliner, M2 and Sterling Acterra, Eye and Slipper Spring, Front, Truck/Tractor Suspension



FREIGHTLINER M2 - FRONT TRUCK/TRACTOR SUSPENSION

***BOLD RED NUMBERS REFLECT TRIANGLE PART NUMBERS**
**ITALICIZED BLACK NUMBERS REFLECT OEM NUMBERS (USE FOR REFERENCE ONLY)*

Common U-Bolt Options: 3" wide

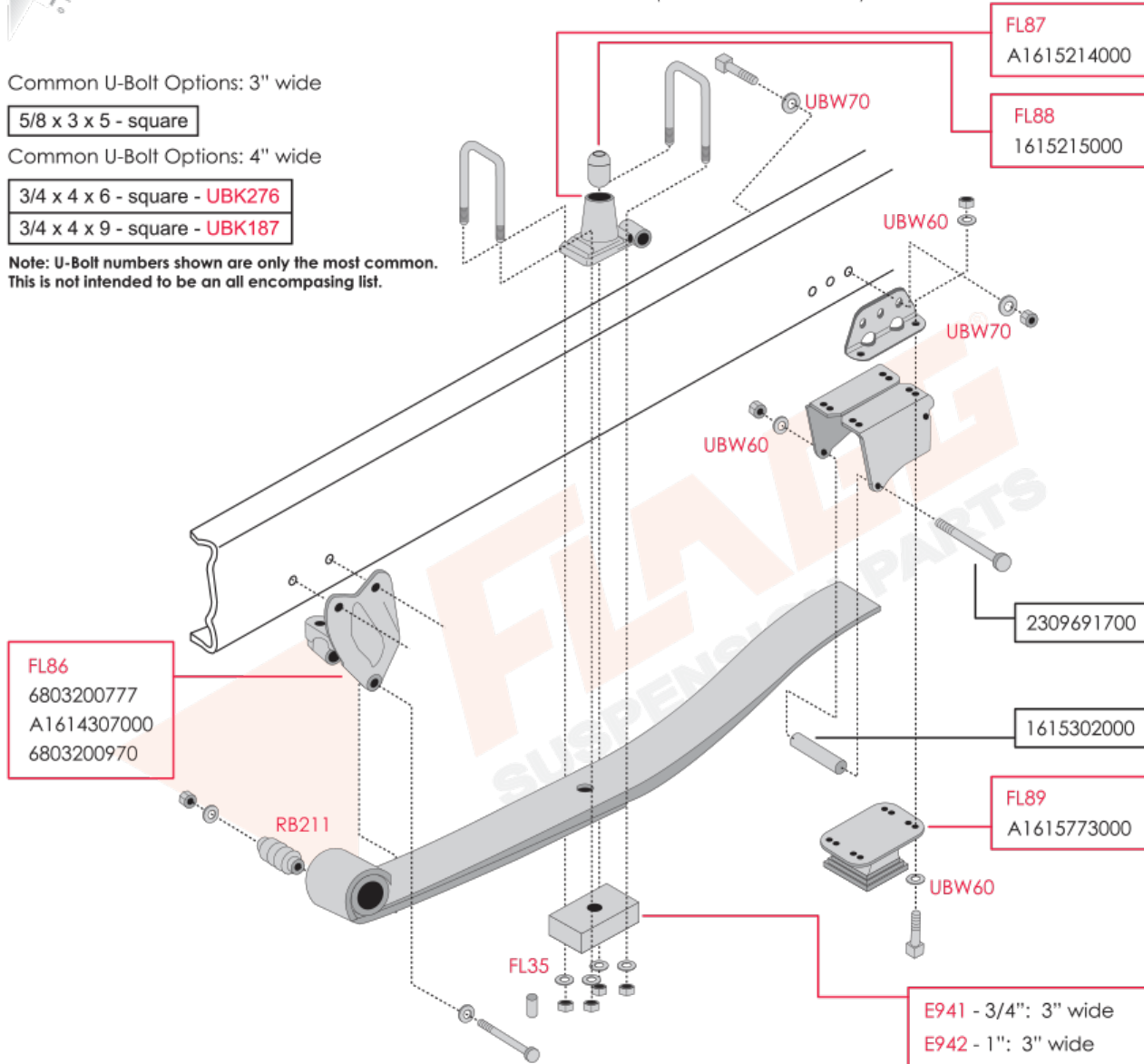
5/8 x 3 x 5 - square

Common U-Bolt Options: 4" wide

3/4 x 4 x 6 - square - **UBK276**

3/4 x 4 x 9 - square - **UBK187**

Note: U-Bolt numbers shown are only the most common. This is not intended to be an all encompassing list.



Common Replacement Springs

Part #	Description
46-1464	1 and a half leaf *This item has been replaced by 46-2014.
46-1462	1 and a half leaf *This item has been replaced by 46-2010.
46-1474	1 and a half leaf *This item has been replaced by 46-2012.

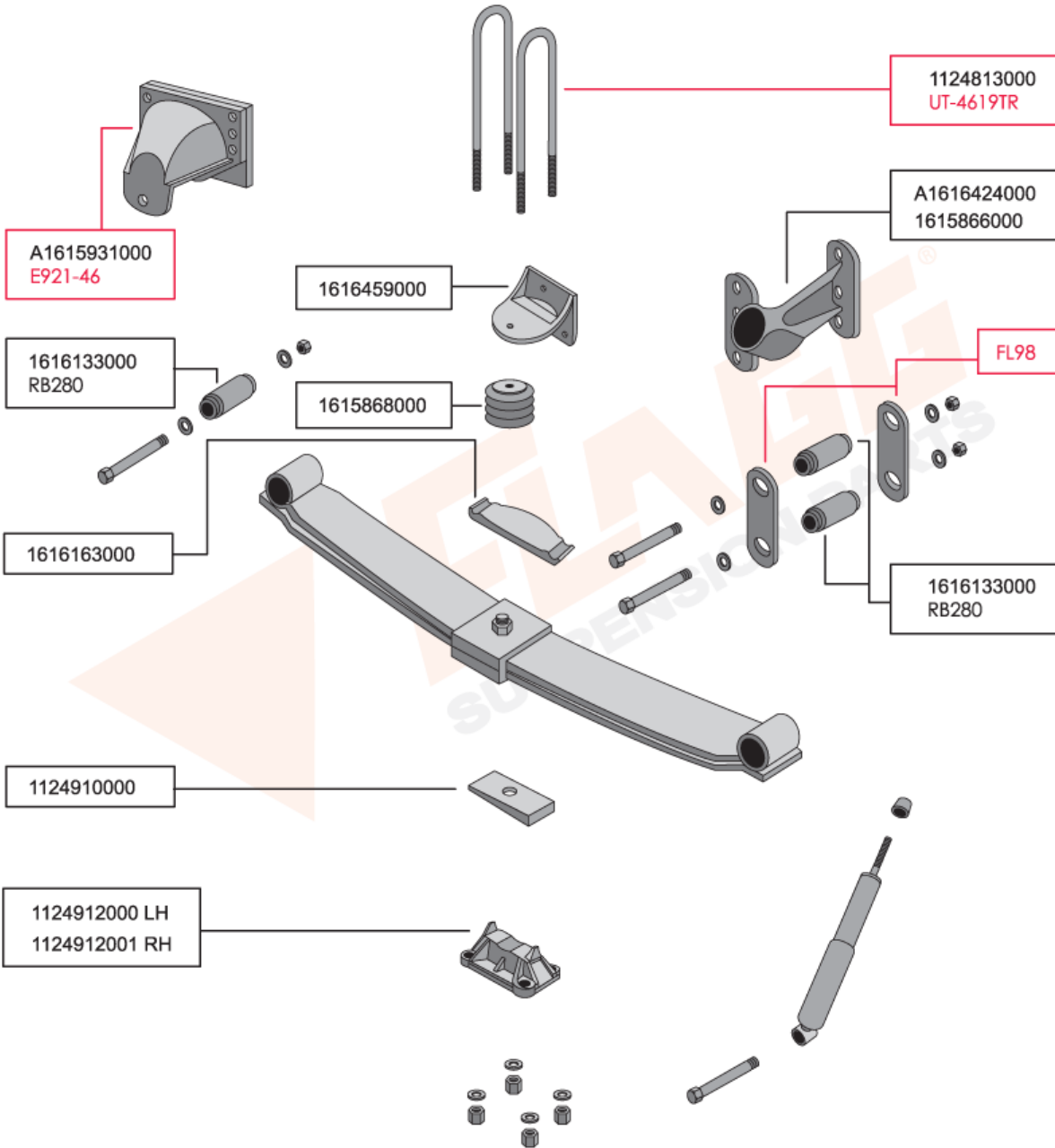
- E941 - 3/4": 3" wide
- E942 - 1": 3" wide
- E943 - 1-1/2": 3" wide
- E944 - 2-3/8": 3" wide
- E945 - 1-3/4": 4" wide
- E946 - 2-3/8": 4" wide

Note: Spring part numbers shown above are only the most common. This is not intended to be an all-encompassing list. Careful verification of all dimensions, capacity and specific application installation factors will determine the final selection of the replacement spring.

Freightliner, M2BC & Sterling Acterra, Double Eye, Single Axle, Rear, Truck/Tractor Suspension



FREIGHTLINER REAR: 3" EYE/EYE (M2BC & STERLING ACTERRA) TRUCK/TRACTOR SUSPENSION

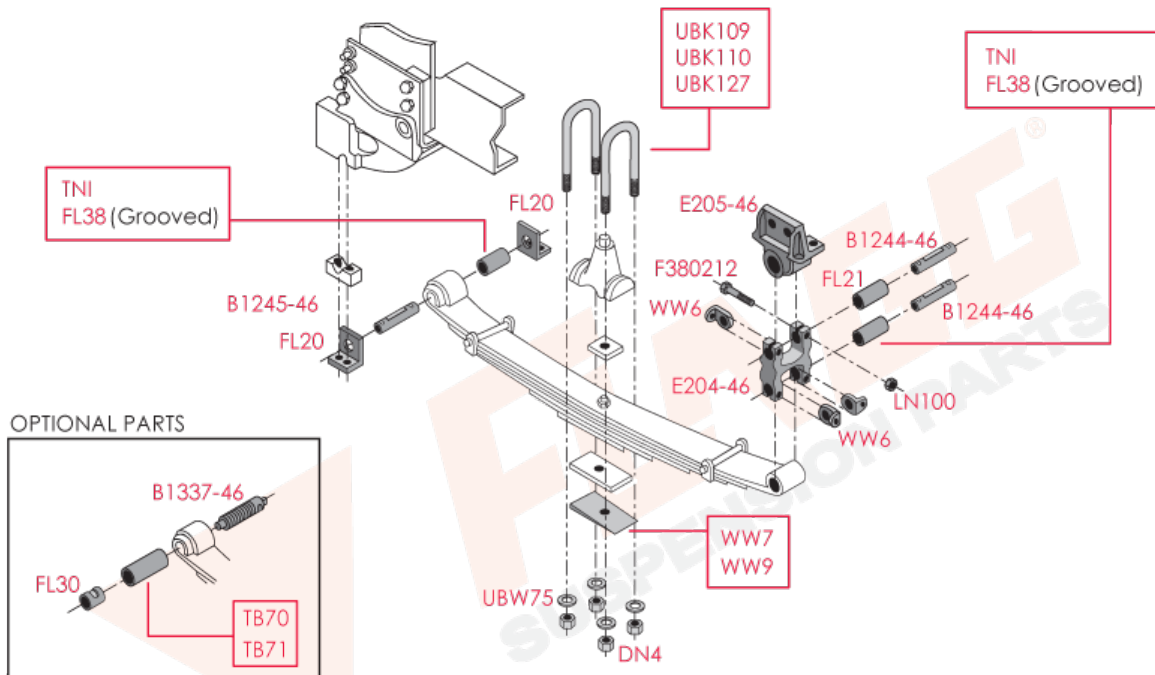


© 2015 Triangle Suspension Systems Inc.

Freightliner, Models Conv, C.O.E. with 3-1/2" Springs, Front, Truck/Tractor Suspension



FREIGHTLINER MODELS WITH 3-1/2" SPRING (FRONT) TRUCK/TRACTOR SUSPENSION



Common U-Bolt Options

3/4 x 3-1/2 x 10 - round	- UBK109
3/4 x 3-1/2 x 12 - round	- UBK110
7/8 x 3-1/2 x 12 - round	- UBK127

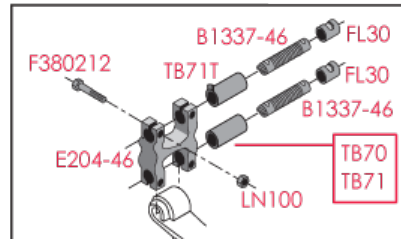
Note: U-Bolt numbers shown are only the most common. This is not intended to be an all encompassing list.

Description	Part #
pad/4 leaf/2pads	46-860
pad/4 leaf/2 pads, heavy	46-862

Note: Spring part numbers shown above are only the most common. This is not intended to be an all-encompassing list. Careful verification of all dimensions, capacity and specific application installation factors will determine the final selection of the replacement spring.

© 2013 Triangle Suspension Systems Inc.

OPTIONAL PARTS



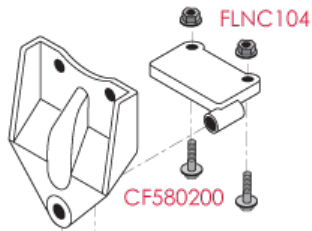
Freightliner, Models FC, FL, FL112, FLD, MB, M2BC, MT55 Century, Columbia, Coronado, Cascadia, Argosy, Condor, with Rubber Bushings, Front, Truck/Tractor Suspension



FREIGHTLINER BUSINESS CLASS & CENTURY CLASS MODELS (FRONT) TRUCK/TRACTOR SUSPENSION

Use this drawing for the following:

- MB-FL50, MB-FL60, MB-FL70, MB-FL80; FL106 Models with 3" Spring Width
- All Century Class Models with 4" Spring Width



Common U-Bolt Options: 3" wide

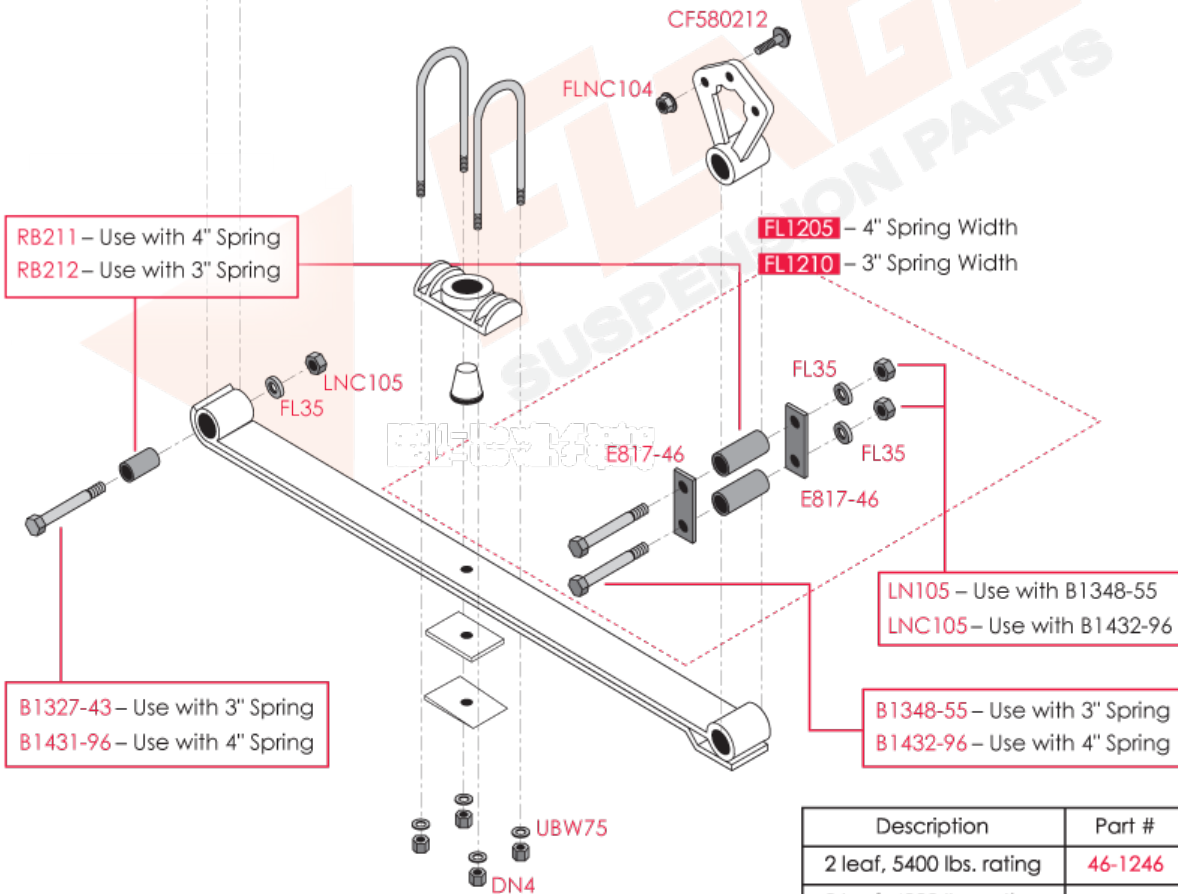
5/8 x 3 x 5 - square

Common U-Bolt Options: 4" wide

3/4 x 4 x 6 - square - **UBK276**

3/4 x 4 x 9 - square - **UBK187**

Note: U-Bolt numbers shown are only the most common. This is not intended to be an all encompassing list.



Description	Part #
2 leaf, 5400 lbs. rating	46-1246
2 leaf, 4900 lbs. rating	46-1240

© 2013 Triangle Suspension Systems Inc.

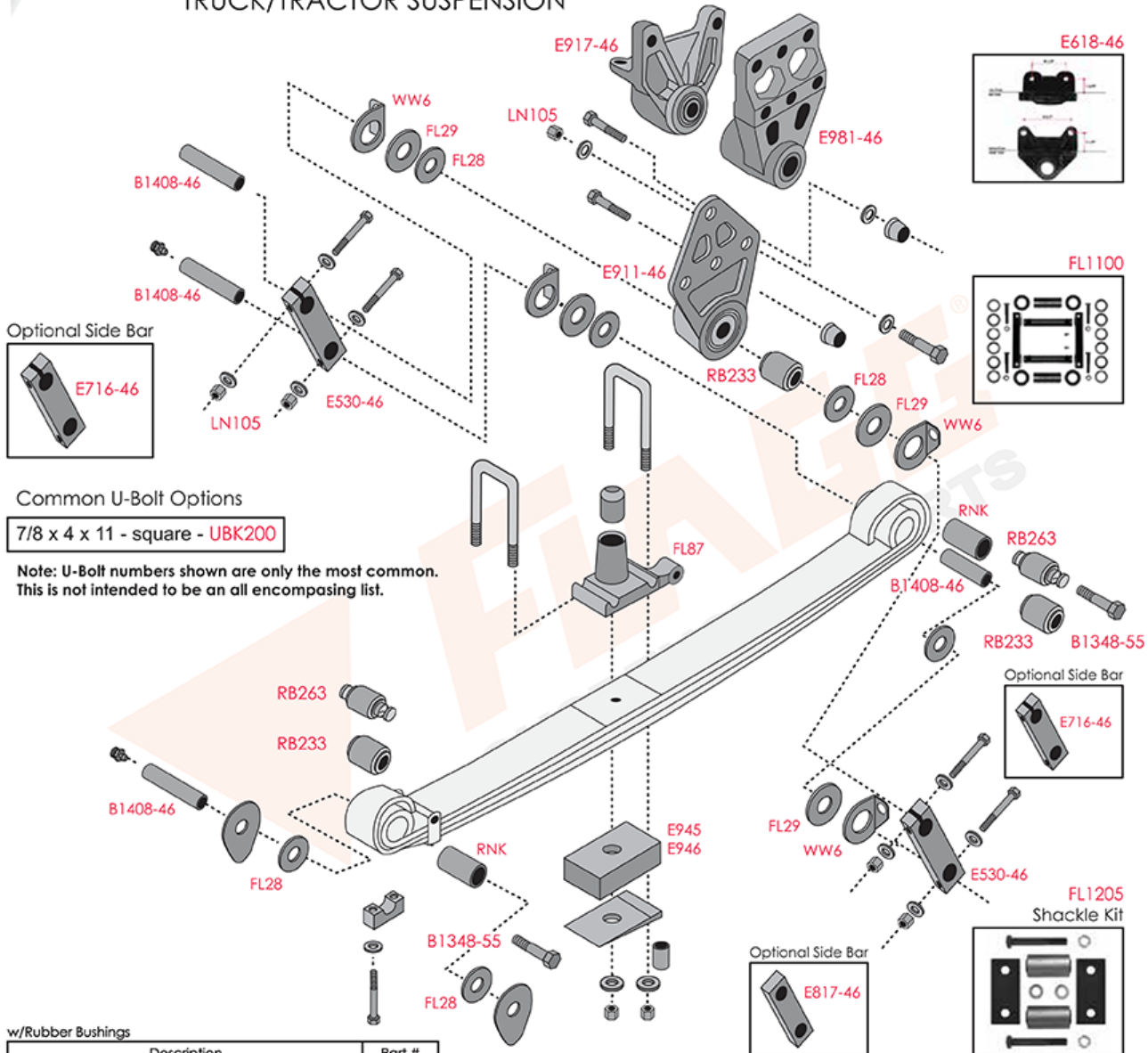
Note: Spring part numbers shown above are only the most common. This is not intended to be an all-encompassing list. Careful verification of all dimensions, capacity and specific application installation factors will determine the final selection of the replacement spring.

Freightliner, Models FC, FL, FL112, FLD, with 56" Springs, MB, M2B2, MT55, Columbia, Coronado, Cascadia, Conventional, Argosy, Condor, Sterling, Acterra, A, L, S Series, Condor LCF, Cargo, Front, Truck/Tractor Suspension



FREIGHTLINER

FC, FL, FL112, FLD, WITH 56" SPRINGS, MB, M2B2, MT55, COLUMBIA, CORONADO, CASCADIA, CONVENTIONAL, ARGOSY, CONDOR, STERLING, ACTERRA, A, L, S SERIES, CONDOR LCF, CARGO TRUCK/TRACTOR SUSPENSION



Common U-Bolt Options
7/8 x 4 x 11 - square - **UBK200**

Note: U-Bolt numbers shown are only the most common. This is not intended to be an all encompassing list.

w/Rubber Bushings

Description	Part #
2 leaf, RB233 both ends 5,400 lbs. rating	46-1302
3 leaf, RB263 S.E., RB233 L.E., 7,200 lbs. rating	46-1494
3 leaf, RB263 both ends 8,000 lbs. rating	46-1496
2 leaf, 26 x 30, RB263 S.E., RB233 L.E., 7,000 lbs. rating	46-1930

Leaf and a half w/Rubber Bushings

Description	Part #
leaf and a half, RB233 both ends, 5,500 lbs. rating	46-1476
leaf and a half, RB233 both ends, 6,000 lbs. rating	46-1432
leaf and a half, RB233 both ends, 5,500 lbs. rating	46-1584

w/RNK Bronze Bushings

Description	Part #
3 leaf, 7,280 lbs. rating	46-1710
2 leaf/pad/wdg 25 x 29, 6,000 lbs. rating	46-1658
9 leaf, 8,100 lbs. rating	46-1482
3 leaf, 9,000 lbs. rating	46-1766
3 leaf, 10,000 lbs. rating	46-1768

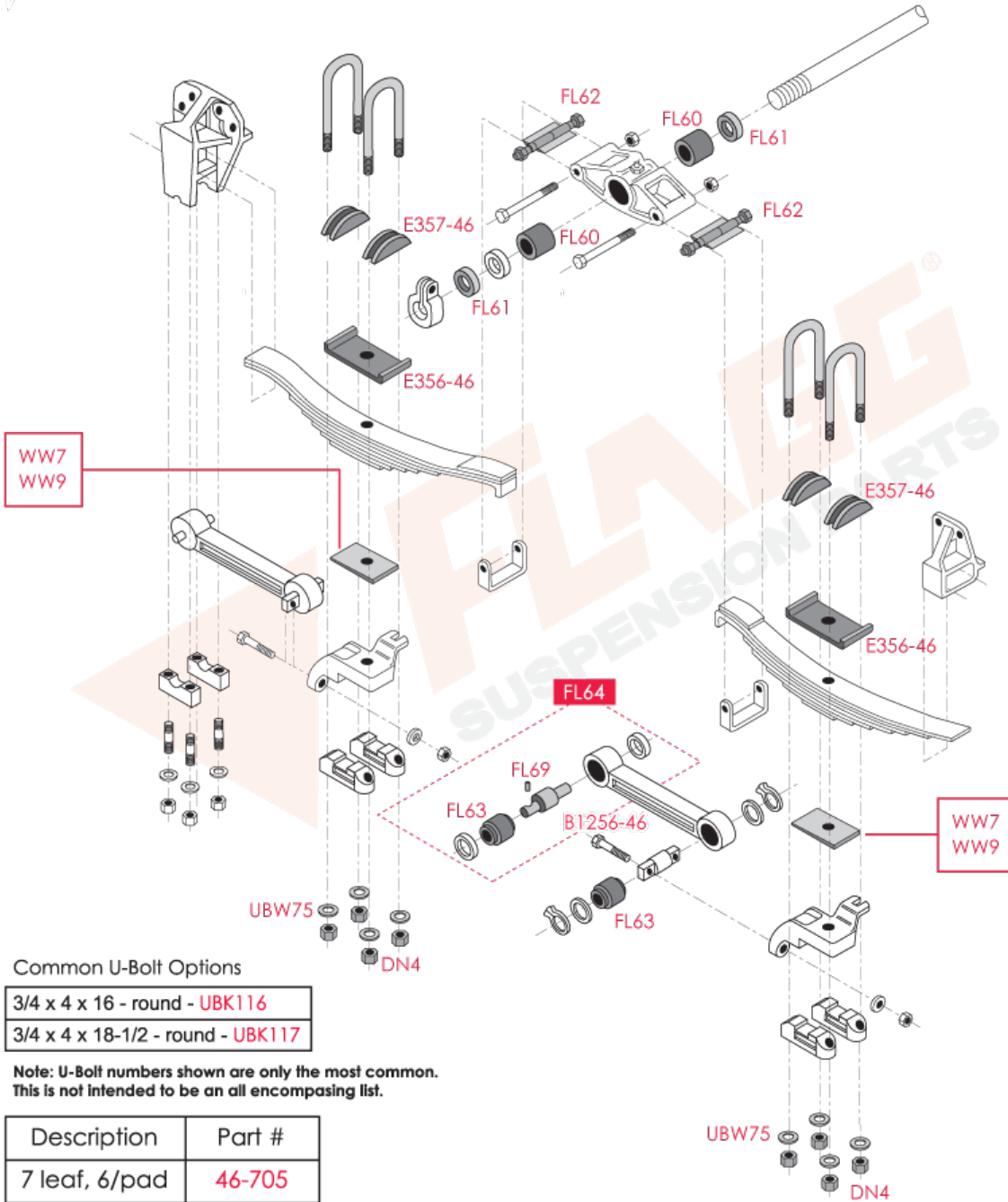
Note: Spring part numbers shown above are only the most common. This is not intended to be an all-encompassing list. Careful verification of all dimensions, capacity and specific application installation factors will determine the final selection of the replacement spring.

© 2019 Triangle Suspension Systems Inc.

Freightliner, Models FH32, 36, 40, 44 with 4" wide Springs, Rear, Truck/Tractor Suspension



FREIGHTLINER FH32 MODELS (REAR) TRUCK/TRACTOR SUSPENSION



Common U-Bolt Options

3/4 x 4 x 16 - round - UBK116
3/4 x 4 x 18-1/2 - round - UBK117

Note: U-Bolt numbers shown are only the most common. This is not intended to be an all encompassing list.

Description	Part #
7 leaf, 6/pad	46-705

Note: Spring part numbers shown above are only the most common. This is not intended to be an all-encompassing list. Careful verification of all dimensions, capacity and specific application installation factors will determine the final selection of the replacement spring.

Freightliner, Models FL, FLD, M2, Century, Columbia, Coronado, Cascadia, Argosy, Multi Leaf, Front, Truck/Tractor Suspension

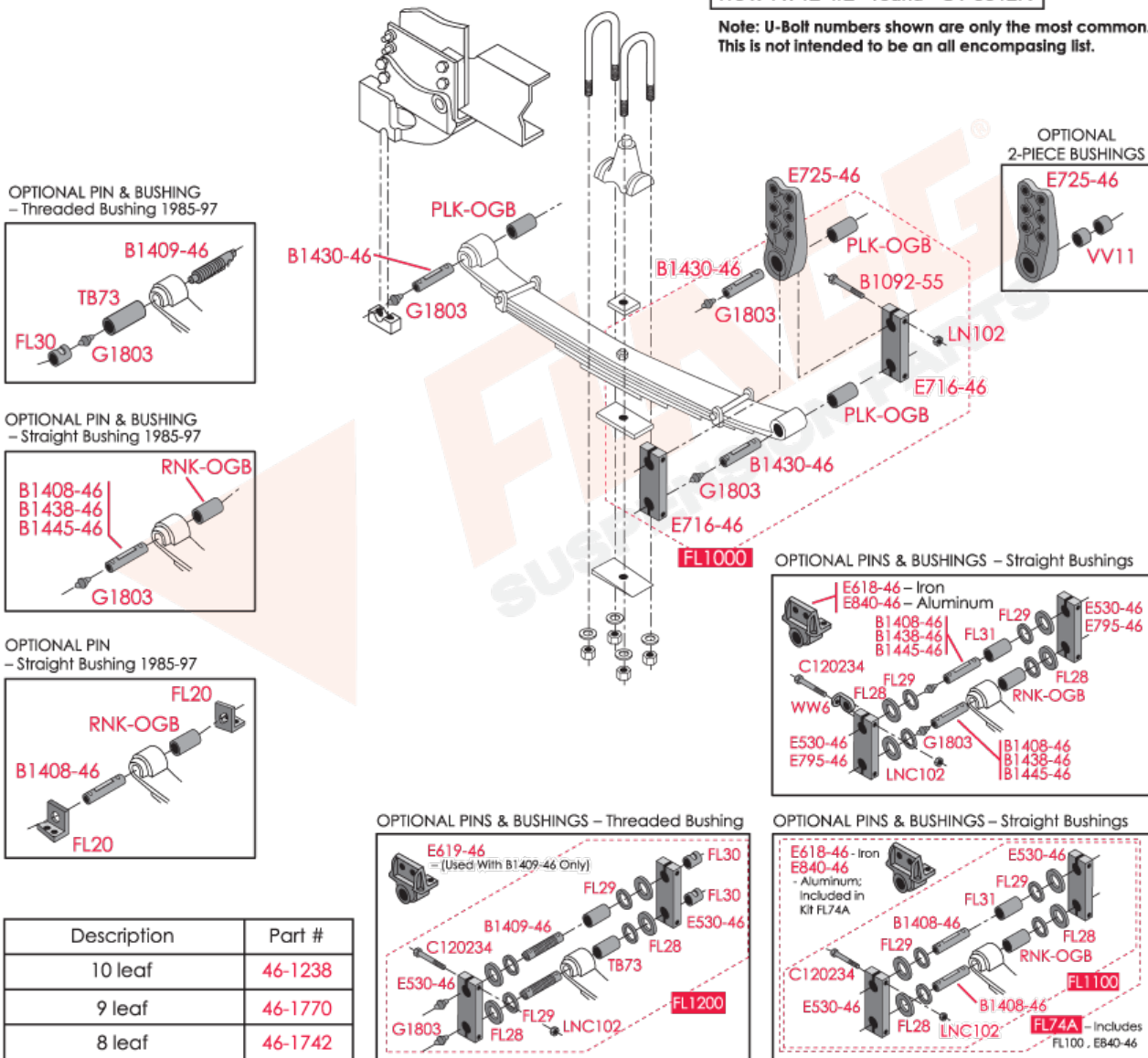


FREIGHTLINER FLC112 / FLD120 MULTI LEAF - (FRONT) TRUCK/TRACTOR SUSPENSION

Common U-Bolt Options

3/4 x 4 x 11-1/2 - round - UBK111
7/8 x 4 x 9-1/2 - round - UBK283
7/8 x 4 x 11 - square - UBK200
7/8 x 4 x 12-1/2 - round - UT-5512R

Note: U-Bolt numbers shown are only the most common. This is not intended to be an all encompassing list.



Description	Part #
10 leaf	46-1238
9 leaf	46-1770
8 leaf	46-1742

Note: Spring part numbers shown above are only the most common. This is not intended to be an all-encompassing list. Careful verification of all dimensions, capacity and specific application installation factors will determine the final selection of the replacement spring.

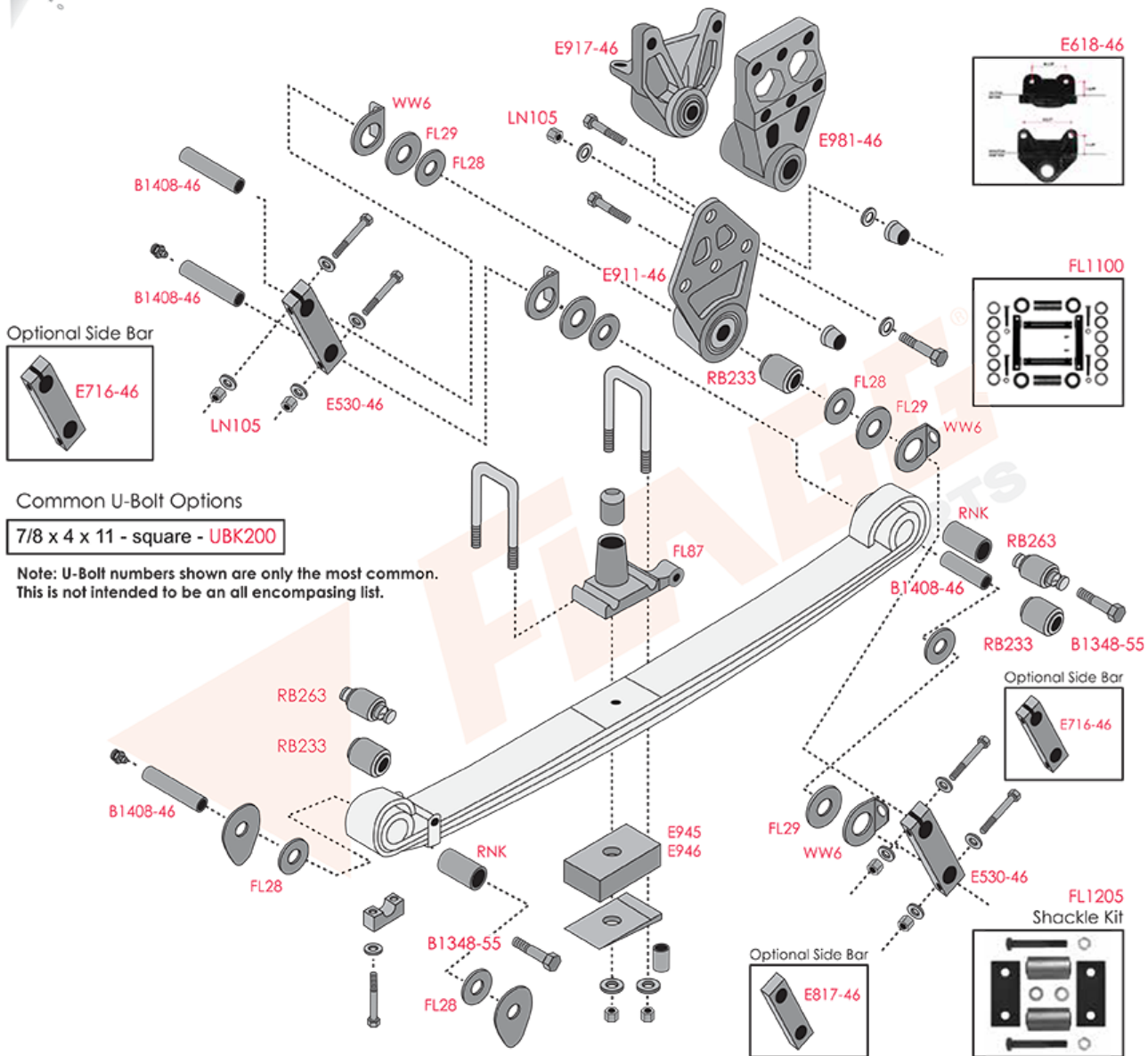
© 2013 Triangle Suspension Systems Inc.

Freightliner, Models FLC112 Conventional, FLC120, FLA, FLB, FLL, FLT, FLD, with 54" Springs, Front, Truck/Tractor Suspension



FREIGHTLINER

FLC112, CONVENTIONAL, FLC120, FLA, FLB, FLL, FLT, FLD
WITH 54" SPRINGS
TRUCK/TRACTOR SUSPENSION



Common U-Bolt Options

7/8 x 4 x 11 - square - **UBK200**

Note: U-Bolt numbers shown are only the most common. This is not intended to be an all encompassing list.

w/Rubber Bushings

Description	Part #
2 leaf, RB233 both ends 5,500 lbs. rating	46-1406
2 pads/2/pad, RB263 S.E., RB233 L.E., 6,000 lbs. rating	46-1436

w/TB73 Threaded Bushings

Description	Part #
3 leaf, 6,500 lbs. rating	46-1258
5 leaf/2 pads/2/pad, 10,000 lbs. rating	46-1282

w/RNK Bronze Bushings

Description	Part #
4 leaf, pad/3 leaf, 5,500 lbs. rating	46-122
pad/3 leaf, 5,500 lbs. rating	46-220
2 pads/2/pad, 6,000 lbs. rating	46-1280
4 leaf, pad/3 leaf, 6,500 lbs. rating	46-1278
9 leaf 26.19 x 28.8, 5,500 lbs. rating	46-1402
2 leaf/pad/wdg 25 x 29, 6,000 lbs. rating	46-1658

Note: Spring part numbers shown above are only the most common. This is not intended to be an all-encompassing list. Careful verification of all dimensions, capacity and specific application installation factors will determine the final selection of the replacement spring.

© 2019 Triangle Suspension Systems Inc.

Freightliner, Models M2BC, (Sterling) Acterra, Single Axle, Eye and Slipper Spring, Rear, Truck/Tractor Suspension

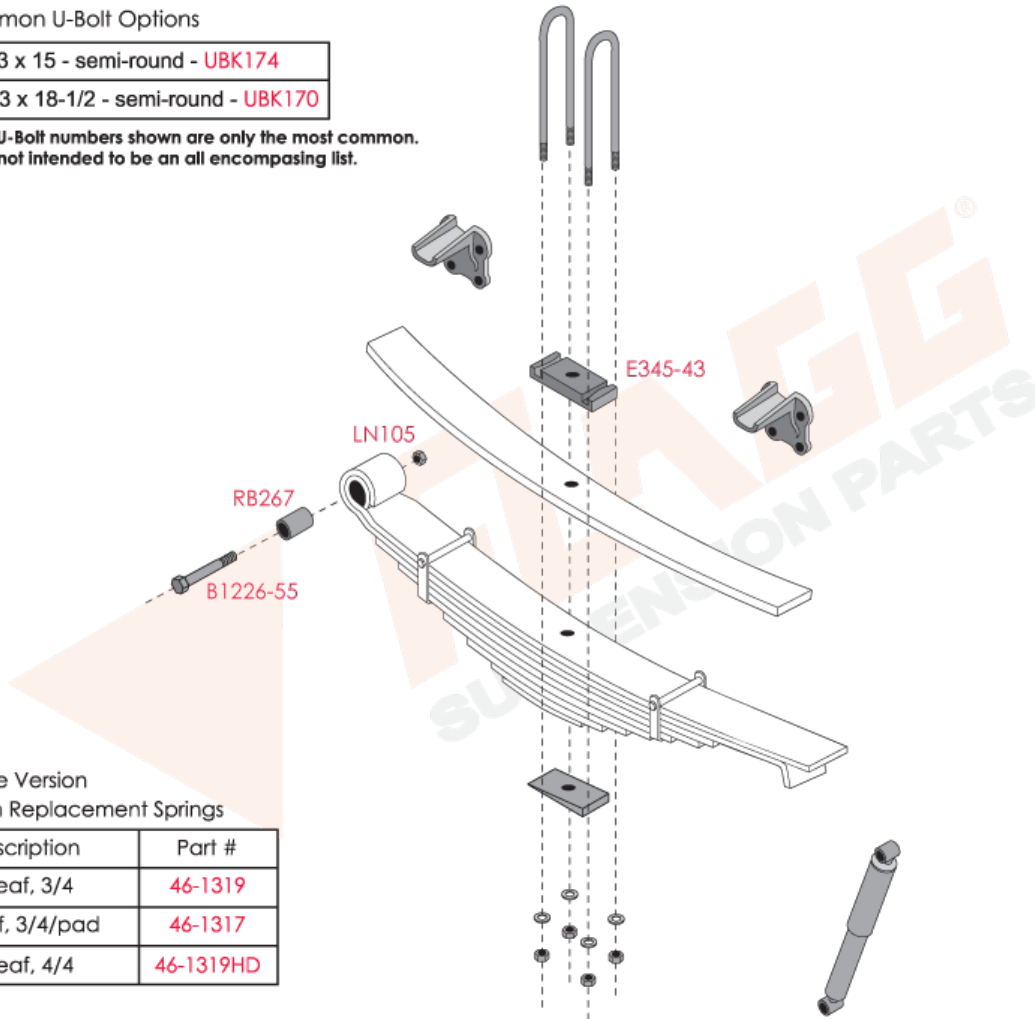


FREIGHTLINER BUSINESS CLASS - REAR - SINGLE EYE [SEE TABLE BELOW FOR NO EYE VERSION]

Common U-Bolt Options

3/4 x 3 x 15 - semi-round - UBK174
7/8 x 3 x 18-1/2 - semi-round - UBK170

Note: U-Bolt numbers shown are only the most common. This is not intended to be an all encompassing list.



Single Eye Version Common Replacement Springs

Description	Part #
7 leaf, 3/4	46-1319
8 leaf, 3/4/pad	46-1317
8 leaf, 4/4	46-1319HD

No Eye Version Common Replacement Springs

Description	Part #
7 leaf: 10,150 rating	46-171
7 leaf: 8,800 rating	46-169
8 leaf: 13,000 rating	46-1355
8 leaf	46-1357

© 2013 Triangle Suspension Systems Inc.

Note: Spring part numbers shown above are only the most common. This is not intended to be an all-encompassing list. Careful verification of all dimensions, capacity and specific application installation factors will determine the final selection of the replacement spring.

Freightliner, Models MB, FL, 60/70/80/106, M2BC, MT55, Single Axle w/Torque Arm Springs, Rear, Truck/Tractor Suspension



FREIGHTLINER

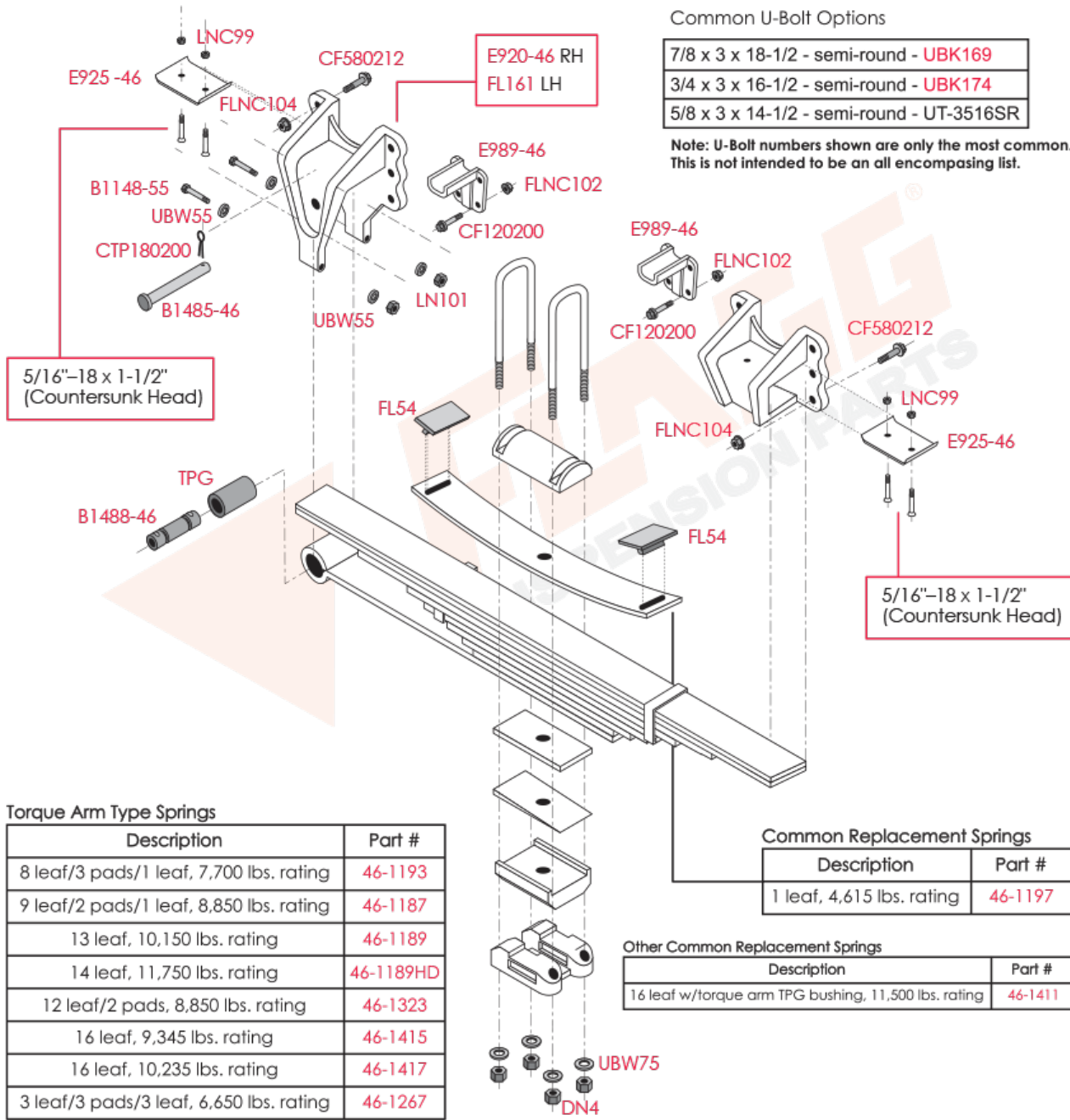
MODELS MB, FL, 60/70/80/106, M2BC, MT55
SINGLE AXLE W/TORQUE ARM SPRINGS, REAR
TRUCK/TRACTOR SUSPENSION

***BOLD RED NUMBERS REFLECT TRIANGLE PART NUMBERS**

**ITALICIZED BLACK NUMBERS REFLECT OEM NUMBERS (USE FOR REFERENCE ONLY)*

Use this drawing for the following:

- MB-FL50, MB-FL60, MB-FL70, MB-FL80; FL106 Models



Common U-Bolt Options

7/8 x 3 x 18-1/2 - semi-round - UBK169
3/4 x 3 x 16-1/2 - semi-round - UBK174
5/8 x 3 x 14-1/2 - semi-round - UT-3516SR

Note: U-Bolt numbers shown are only the most common. This is not intended to be an all encompassing list.

Torque Arm Type Springs

Description	Part #
8 leaf/3 pads/1 leaf, 7,700 lbs. rating	46-1193
9 leaf/2 pads/1 leaf, 8,850 lbs. rating	46-1187
13 leaf, 10,150 lbs. rating	46-1189
14 leaf, 11,750 lbs. rating	46-1189HD
12 leaf/2 pads, 8,850 lbs. rating	46-1323
16 leaf, 9,345 lbs. rating	46-1415
16 leaf, 10,235 lbs. rating	46-1417
3 leaf/3 pads/3 leaf, 6,650 lbs. rating	46-1267

Common Replacement Springs

Description	Part #
1 leaf, 4,615 lbs. rating	46-1197

Other Common Replacement Springs

Description	Part #
16 leaf w/torque arm TPG bushing, 11,500 lbs. rating	46-1411

Note: Spring part numbers shown above are only the most common. This is not intended to be an all-encompassing list. Careful verification of all dimensions, capacity and specific application installation factors will determine the final selection of the replacement spring.

© 2019 Triangle Suspension Systems Inc.

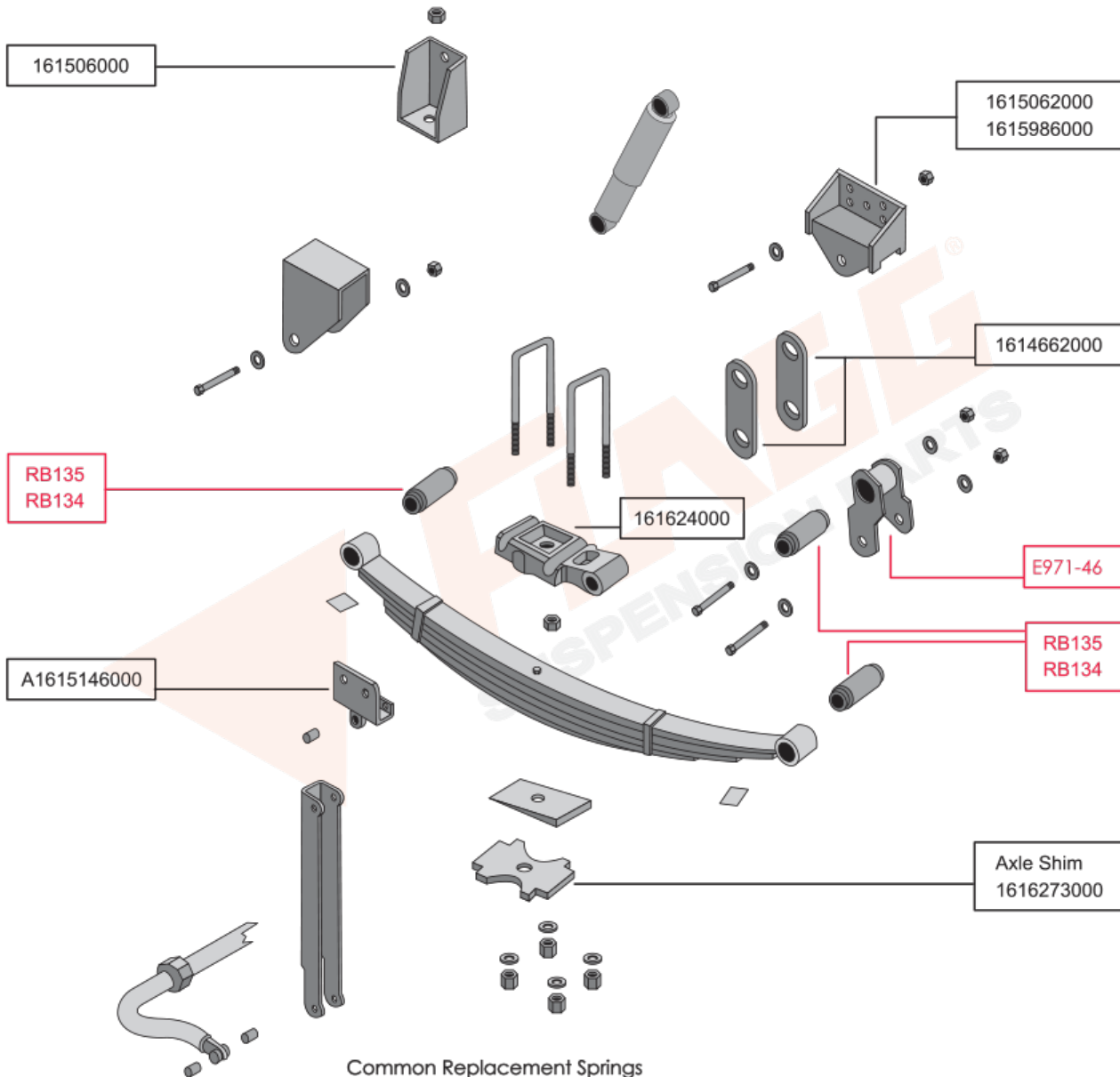
Freightliner, Models MT35, MT45 & FCC, Front, Truck/Tractor Suspension



FREIGHTLINER FRONT: MT35, MT45 & FCC TRUCK/TRACTOR SUSPENSION

***BOLD RED NUMBERS REFLECT TRIANGLE PART NUMBERS**

**ITALICIZED BLACK NUMBERS REFLECT OEM NUMBERS (USE FOR REFERENCE ONLY)*



Common Replacement Springs

Description	Part #
6 leaf, RB135 both ends, 2,625 lbs. rating	46-1458
6 leaf, RB135 both ends, 2,625 lbs. rating	46-1508
(Oshkosh/Freightliner) 7 leaf, RB135 both ends, 3,000 lbs. rating	71-246

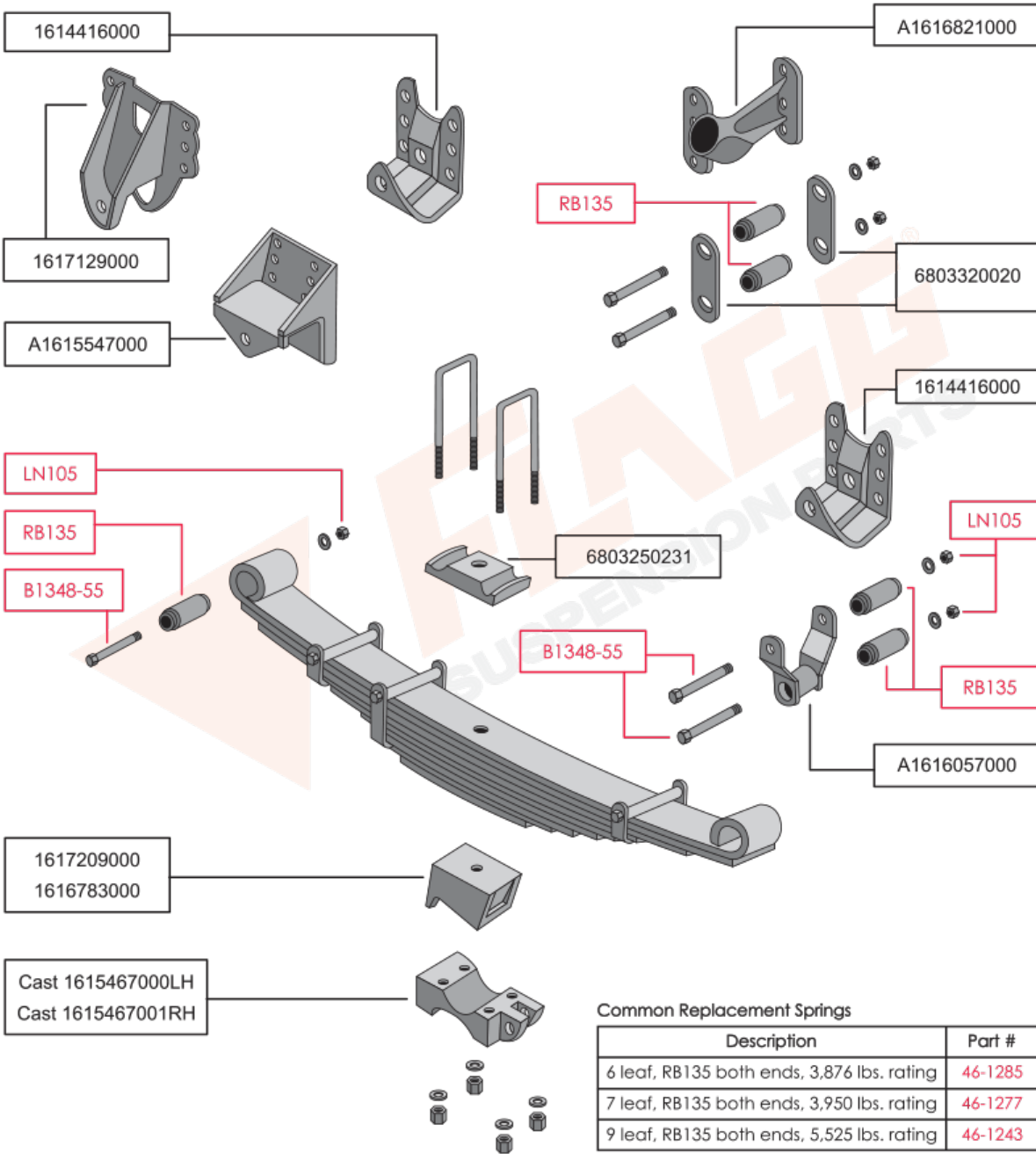
© 2018 Triangle Suspension Systems Inc.

Freightliner, Models MT35, MT45 & FCC, Rear, Truck/Tractor Suspension



FREIGHTLINER REAR: MT35, MT45 & FCC TRUCK/TRACTOR SUSPENSION

***BOLD RED NUMBERS REFLECT TRIANGLE PART NUMBERS**
**ITALICIZED BLACK NUMBERS REFLECT OEM NUMBERS (USE FOR REFERENCE ONLY)*



Common Replacement Springs

Description	Part #
6 leaf, RB135 both ends, 3,876 lbs. rating	46-1285
7 leaf, RB135 both ends, 3,950 lbs. rating	46-1277
9 leaf, RB135 both ends, 5,525 lbs. rating	46-1243

© 2018 Triangle Suspension Systems Inc.

Freightliner, TufTrac 40K, 46K, 52K, Rear, Truck/Tractor Suspension

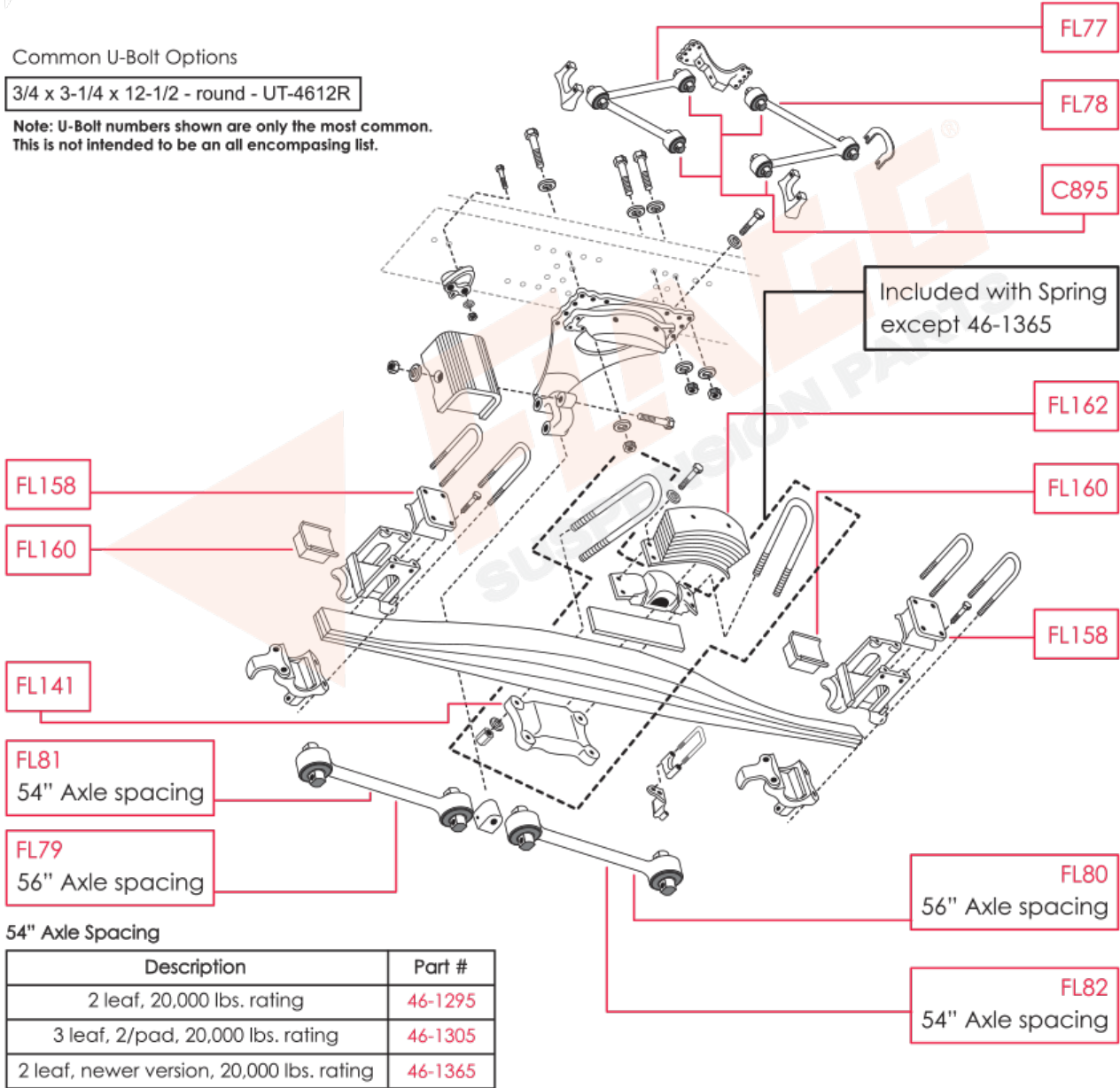


FREIGHTLINER TUFTRAC

Common U-Bolt Options

3/4 x 3-1/4 x 12-1/2 - round - UT-4612R

Note: U-Bolt numbers shown are only the most common. This is not intended to be an all encompassing list.



54" Axle Spacing

Description	Part #
2 leaf, 20,000 lbs. rating	46-1295
3 leaf, 2/pad, 20,000 lbs. rating	46-1305
2 leaf, newer version, 20,000 lbs. rating	46-1365

56" Axle Spacing

Description	Part #
3 leaf, 23,000 lbs. rating	46-1297
4 leaf, 26,000 lbs. rating	46-1299

60" Axle Spacing

Description	Part #
3 leaf	46-1301
4 leaf, 2/2.015 1/.999	46-1303

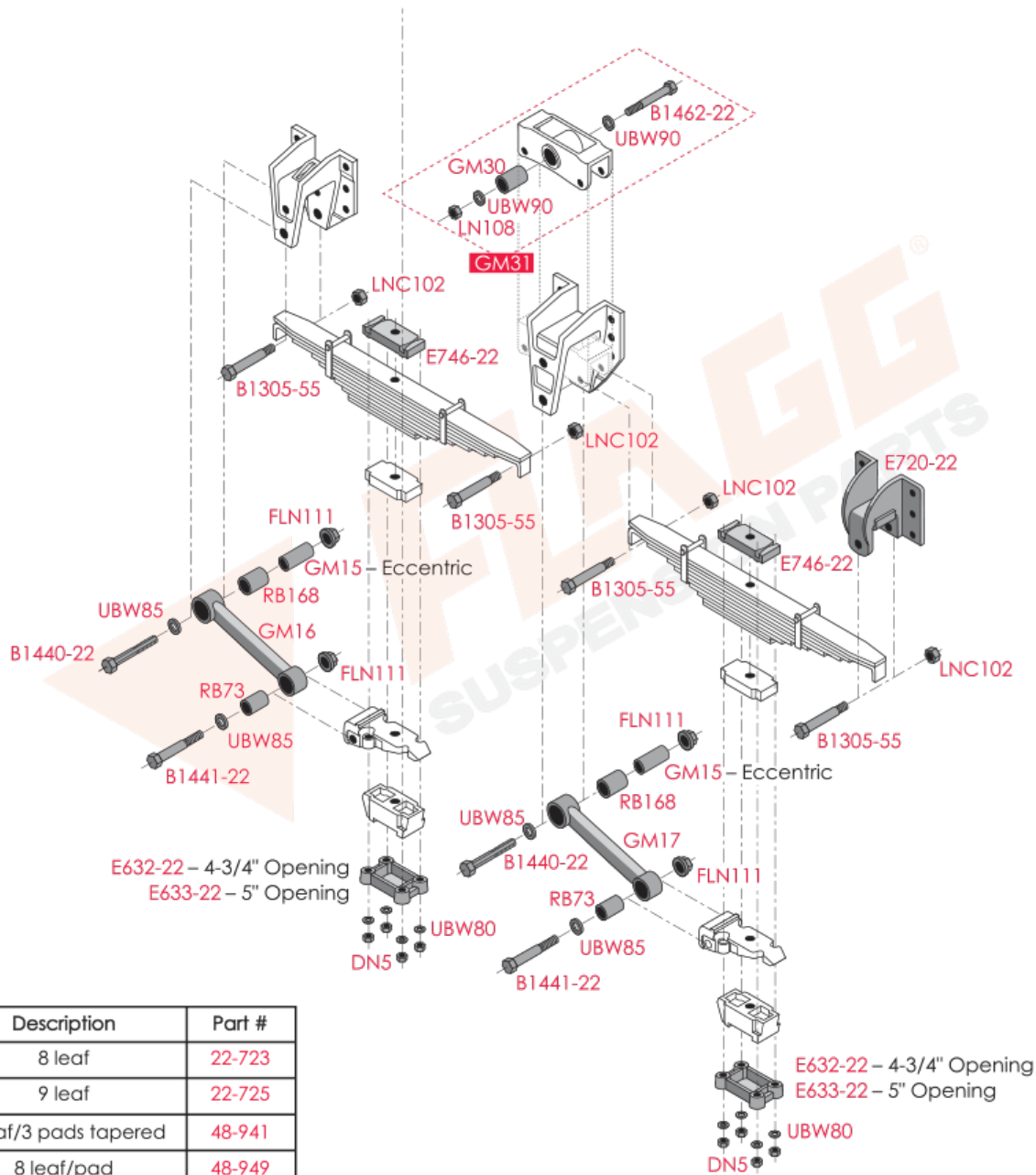
© 2018 Triangle Suspension Systems Inc.

Note: Spring part numbers shown above are only the most common. This is not intended to be an all-encompassing list. Careful verification of all dimensions, capacity and specific application installation factors will determine the final selection of the replacement spring.

GM, 4-Spring Tandem Models, 1983 - 1987, Corporate Suspension, Rear, Truck/Tractor Suspension



CHEVROLET 4 - SPRING TANDEM MODELS, REAR (1983-1987) CORPORATE SUSPENSION TRUCK/TRACTOR SUSPENSION



Description	Part #
8 leaf	22-723
9 leaf	22-725
3 leaf/3 pads tapered	48-941
8 leaf/pad	48-949

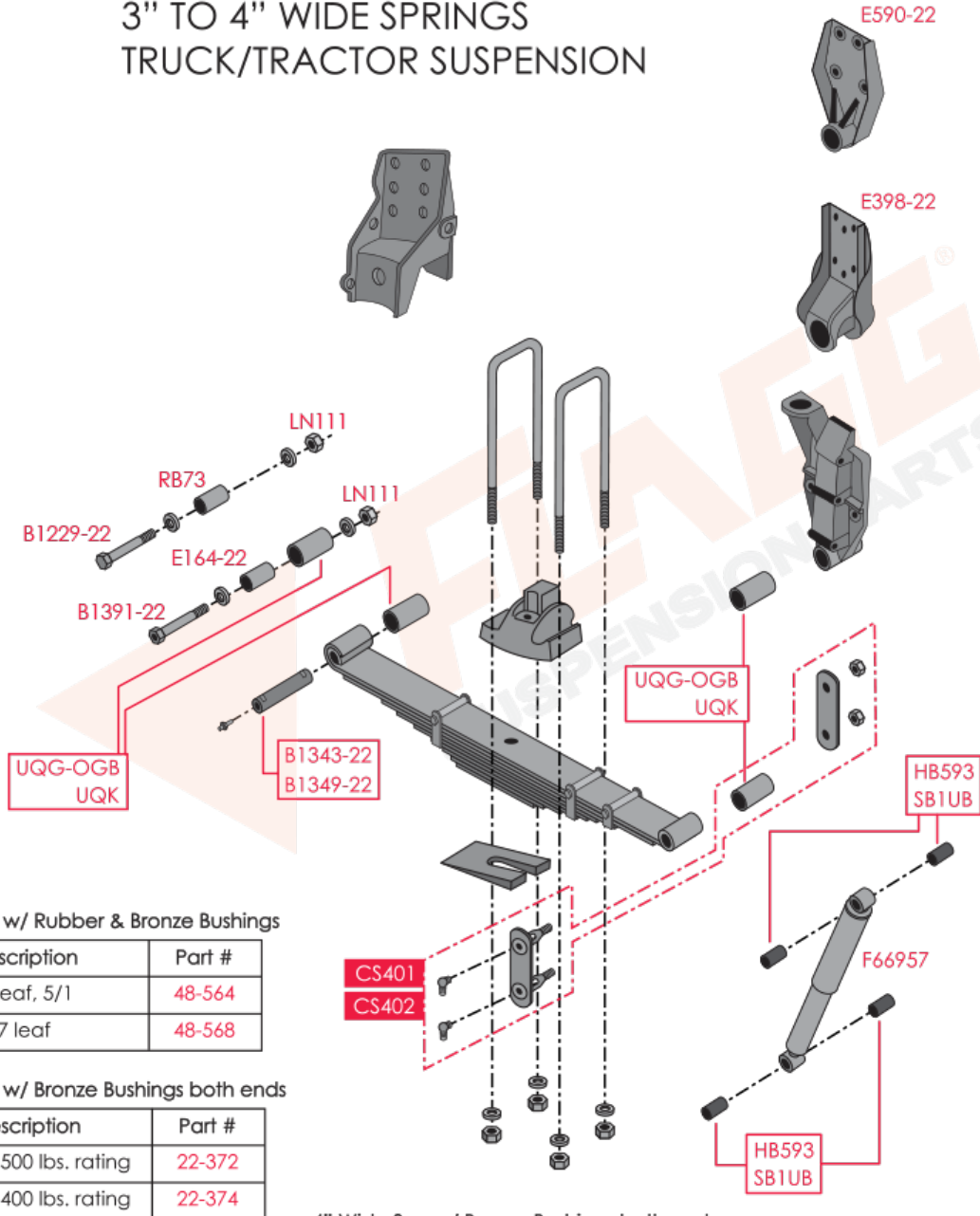
© 2019 Triangle Suspension Systems Inc.

Note: Spring part numbers shown above are only the most common. This is not intended to be an all-encompassing list. Careful verification of all dimensions, capacity and specific application installation factors will determine the final selection of the replacement spring.

GM, Astro, Brigadier, General, 3" to 4" Wide Springs, Front, Truck/Tractor Suspension



GM ASTRO, BRIGADIER, GENERAL - FRONT 3" TO 4" WIDE SPRINGS TRUCK/TRACTOR SUSPENSION



3" Wide Spr. w/ Rubber & Bronze Bushings

Description	Part #
6 leaf, 5/1	48-564
7 leaf	48-568

3" Wide Spr. w/ Bronze Bushings both ends

Description	Part #
2 leaf, 5500 lbs. rating	22-372
2 leaf, 5400 lbs. rating	22-374

4" Wide Spr. w/ Rubber & Bronze Bushings

Description	Part #
8 leaf, 3" wide at eyes	22-394

4" Wide Spr. w/ Bronze Bushings both ends

Description	Part #
8 leaf, 3" wide at eyes	48-546
9 leaf, 3" wide at eyes	48-548

Note: Spring part numbers shown above are only the most common. This is not intended to be an all-encompassing list. Careful verification of all dimensions, capacity and specific application installation factors will determine the final selection of the replacement spring.

© 2019 Triangle Suspension Systems Inc.

GM, Models B, C, P, S, T, W Series, Single Axle with 2-1/2" wide Springs with Radius Leaf, Rear, Truck/Tractor Suspension



CHEVROLET B, C, P, S, T, W SERIES - REAR SINGLE AXLE WITH 2-1/2" WIDE RADIUS LEAF (1965-1982) TRUCK/TRACTOR SUSPENSION

Use this drawing for the following:

- 40, 50, 60 Series: [1965 - 69]
- B, S40, 50, 60 Series: [1970 - 82]
- C40, 50, 60 Series: [1970 - 82]
- P40 Series: [1970 - 82]
- T, W50, 60 Series: [1973 - 80]

E374-22 - 1971-82
E140-22 - 1965-71

E392-22 - LH, Standard Frame, 1973-82
E393-22 - RH, Standard Frame, 1973-82

E179-22 - 1973-78

E374-22 - 1971-82
E140-22 - 1965-71

LP108
C516012
B1341-22 - 1966-82

LP108

RB74

B1247-22

LN104
UBW70

E83-22

C516012

B1341-22 - 1966-82

E390-22 - LH, 1973-82
E391-22 - RH, 1973-82

Common U-Bolt Options

3/4 x 2-1/2 x 14-3/4 - semi-round

3/4 x 2-1/2 x 16-3/4 - semi-round

Note: U-Bolt numbers shown are only the most common. This is not intended to be an all encompassing list.

Description	Part #
11 leaf	22-335
13 leaf	22-337
14 leaf	22-339

Note: Spring part numbers shown above are only the most common. This is not intended to be an all-encompassing list. Careful verification of all dimensions, capacity and specific application installation factors will determine the final selection of the replacement spring.

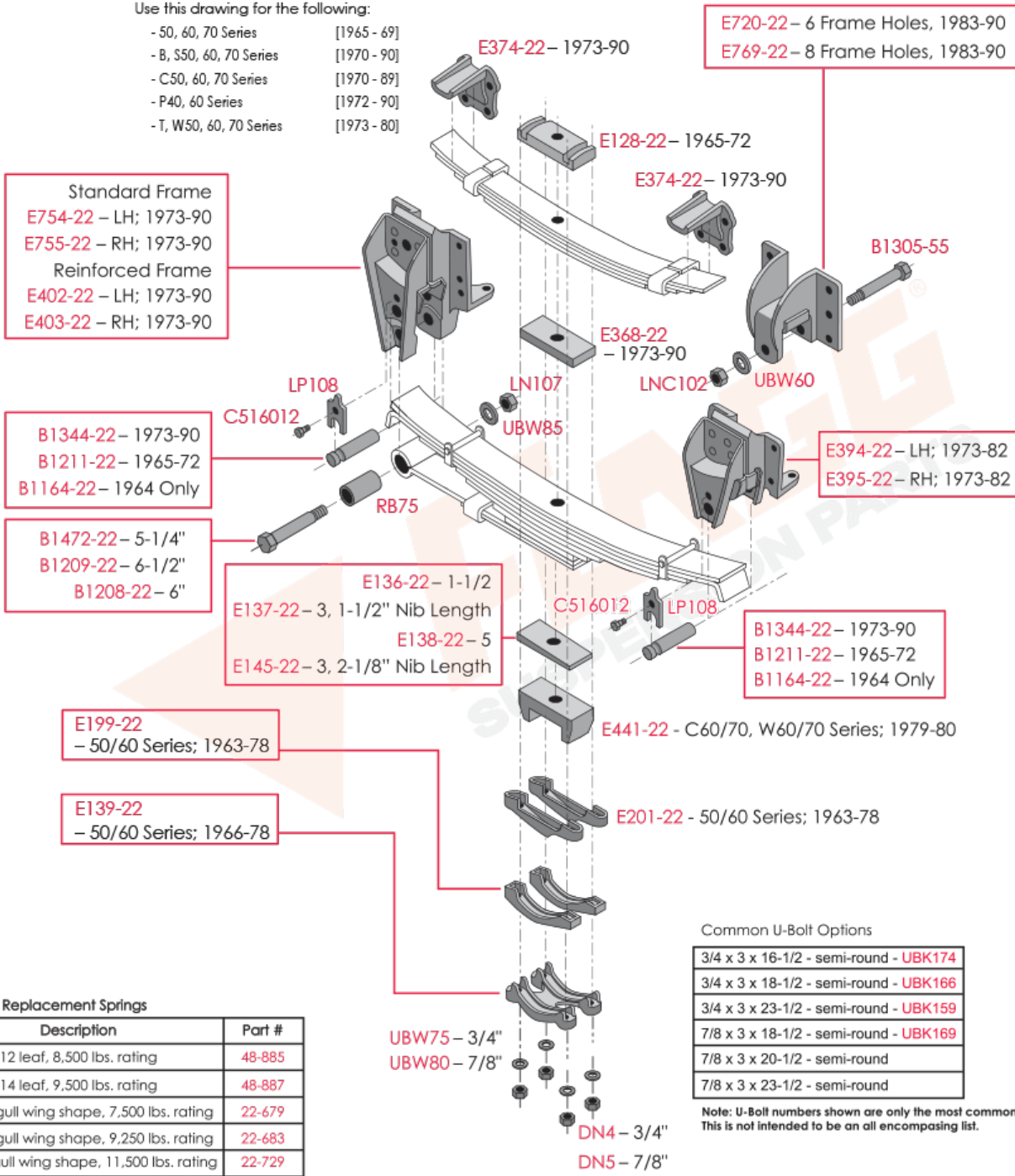
GM, Models B, C, P, S, T, W Series, Single Axle with 3" wide Springs with Radius Leaf, Rear, Truck/Tractor Suspension



CHEVROLET B, C, P, S, T, W SERIES - REAR SINGLE AXLE WITH 3" WIDE RADIUS LEAF (1965-1990) TRUCK/TRACTOR SUSPENSION

Use this drawing for the following:

- 50, 60, 70 Series [1965 - 69]
- B, S50, 60, 70 Series [1970 - 90]
- C50, 60, 70 Series [1970 - 89]
- P40, 60 Series [1972 - 90]
- T, W50, 60, 70 Series [1973 - 80]



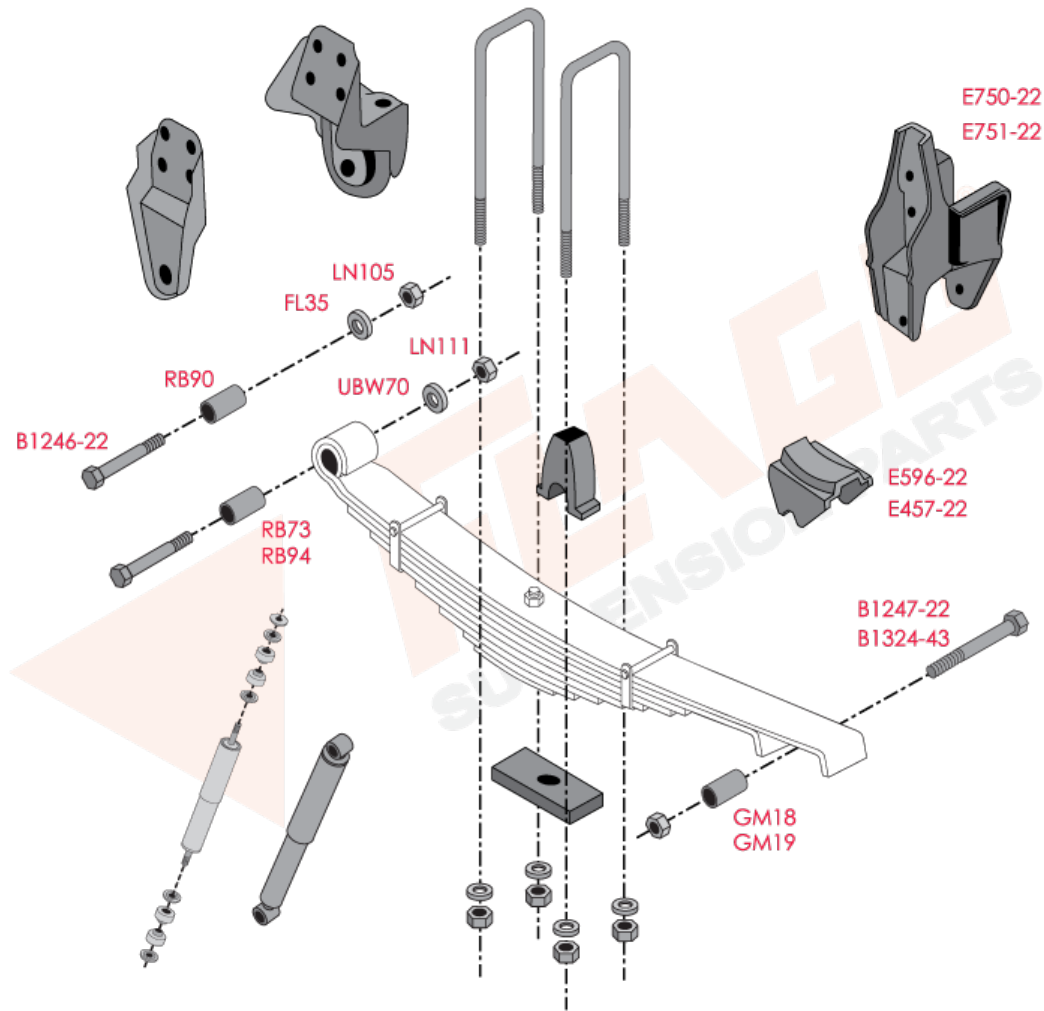
Note: Spring part numbers shown above are only the most common. This is not intended to be an all-encompassing list. Careful verification of all dimensions, capacity and specific application installation factors will determine the final selection of the replacement spring.

© 2018 Triangle Suspension Systems Inc.

GM, Models C50, C60, C70, 2-1/2" and 3" wide Spring, Front, Truck/Tractor Suspension



CHEVROLET C50, C60, C70 - 2-1/2" AND 3" WIDE SPRING - FRONT TRUCK/TRACTOR SUSPENSION



2 1/2" Wide Spring

Description	Part #
6 leaf, 4/2	22-416
7 leaf, 4/3	22-360
7 leaf, 5/2 2400 lbs. rating	22-450
7 leaf, 5/2 4000 lbs. rating	22-292

3" Wide Spring

Description	Part #
7 leaf, 4/3	22-336
7 leaf, 5/2	22-338
7 leaf, 5/2 oval bushing	22-348
9 leaf, 6/3	22-404

Common U-Bolt Options for 2-1/2" wide springs

9/16 x 2-1/2 x 2-1/2 - square - UT-233S

Common U-Bolt Options for 3" wide springs

5/8 x 3 x 8-1/2 - square - UT-3507S

3/4 x 3 x 10 - square - UT-4610S

Note: U-Bolt numbers shown are only the most common. This is not intended to be an all encompassing list.

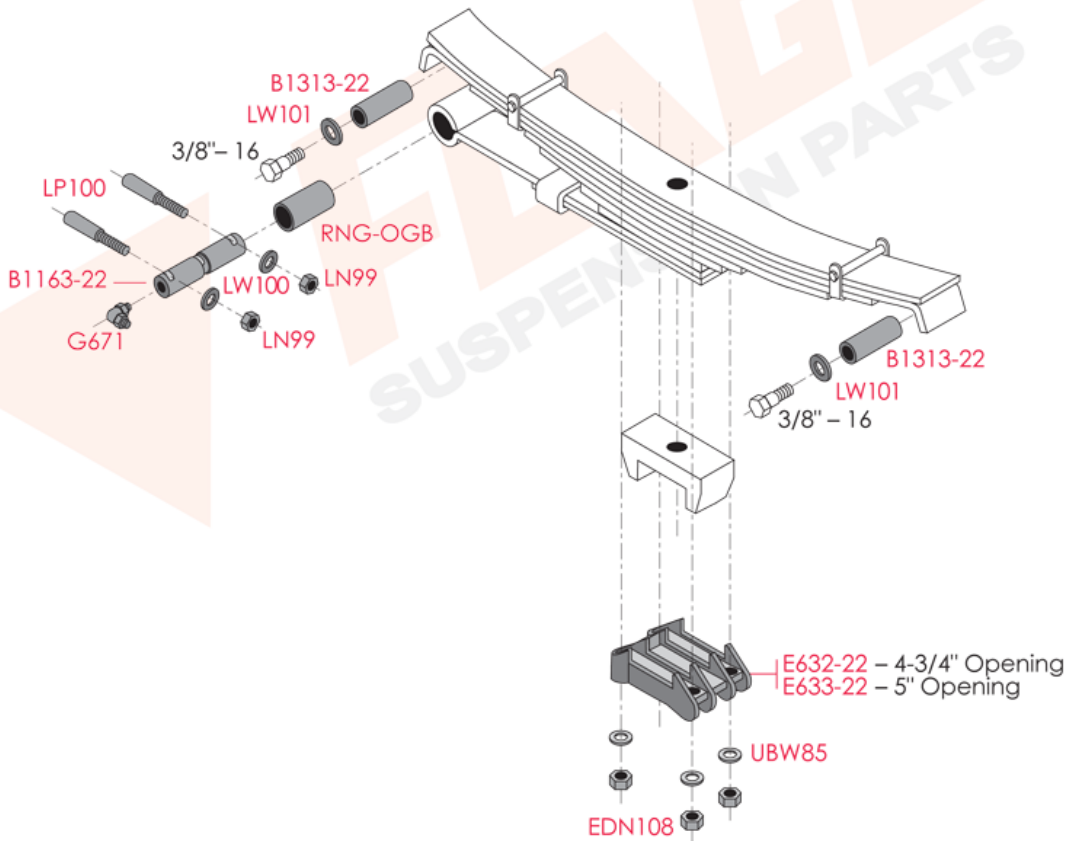
Note: Spring part numbers shown above are only the most common. This is not intended to be an all-encompassing list. Careful verification of all dimensions, capacity and specific application installation factors will determine the final selection of the replacement spring.

© 2013 Triangle Suspension Systems Inc.

GM, Models RM, T, W, Rear, Truck/Tractor Suspension



Use this drawing for the following:
 - RM 70, 80 Series [1970 - 79]
 - T, W60, 70, 80, 90 Series [1966 - 79]



GM, Models Topkick, Kodiak, 3-1/2" and 4" wide Springs (with or without Sway Bar), Front, Truck/Tractor Suspension



CHEVROLET / ISUZU TOPKICK, KODIAK MODELS - FRONT (1990-2000) - TRUCK/TRACTOR SUSPENSION

***BOLD RED NUMBERS REFLECT TRIANGLE PART NUMBERS**

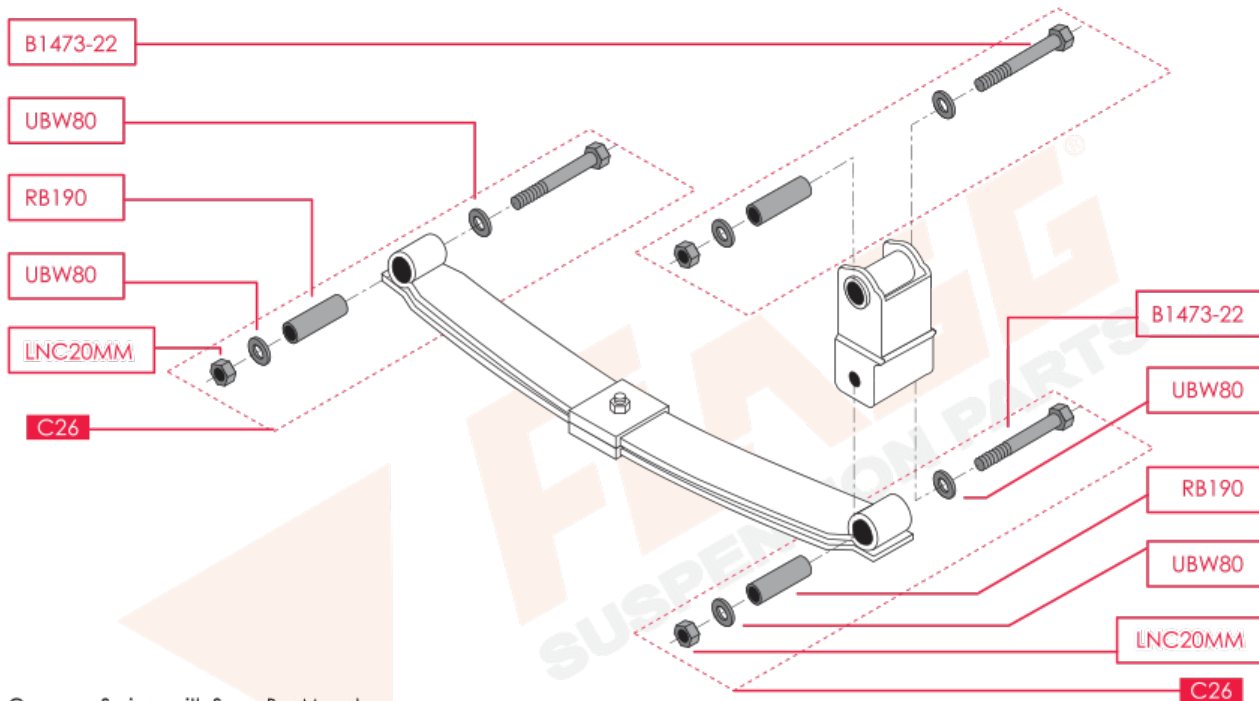
**ITALICIZED BLACK NUMBERS REFLECT OEM NUMBERS (USE FOR REFERENCE ONLY)*

Use this drawing for the following:

C5, C6, C7 Series; Topkick, Kodiak [1990 - 2000]


B6, B7 Series [1993 - 2000]

P6 Series [1992 - 2000]



Common Springs with Sway Bar Mount

Description	Part #
3-1/2" wide, 2 leaf/pad, 4,000 lbs. rating	22-646
3-1/2" wide, 2 leaf/pad, 4,500 lbs. rating	22-650
4" wide, 2 leaf/pad, 5,500 lbs. rating	22-652
2 leaf/pad, RB190 both ends, 6,000 lbs. rating, without sway bar	22-666



Common U-Bolt Options

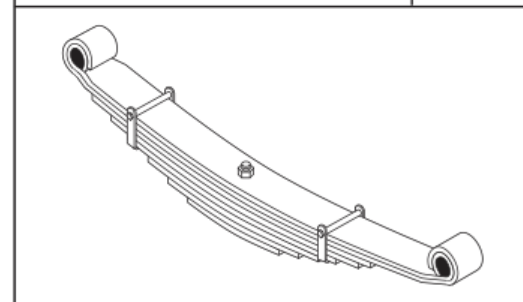
3/4" x 4-1/16" x 8" - semi-round - UBK281
3/4" x 4" x 10" - semi-round - UBK162
3/4" x 4" x 8-1/2" - semi-round - UT-4909SR

Note: U-Bolt numbers shown are only the most common. This is not intended to be an all encompassing list.

© 2018 Triangle Suspension Systems Inc.

OPTIONAL 4" MULTI-LEAF SPRING

6 leaf, RB190 both ends, 7,300 lbs. rating	22-634
7 leaf, RB190 both ends, 9,000 lbs. rating	22-638

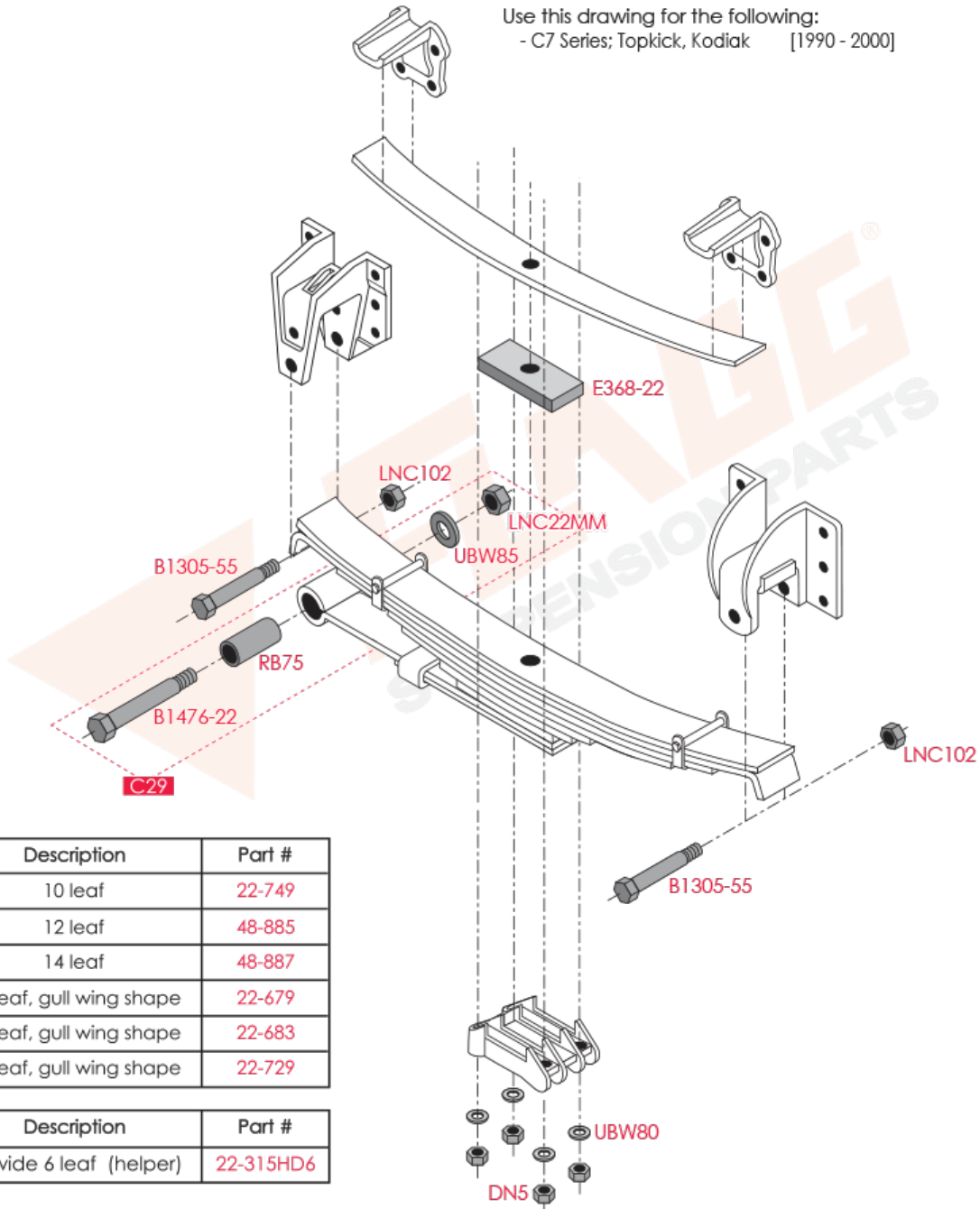


GM, Topkick Kodiak - Rear, Truck/Tractor Suspension



CHEVROLET TOPKICK, KODIAK - REAR TRUCK/TRACTOR SUSPENSION

Use this drawing for the following:
- C7 Series; Topkick, Kodiak [1990 - 2000]



Description	Part #
10 leaf	22-749
12 leaf	48-885
14 leaf	48-887
12 leaf, gull wing shape	22-679
12 leaf, gull wing shape	22-683
14 leaf, gull wing shape	22-729

Description	Part #
3" wide 6 leaf (helper)	22-315HD6

© 2019 Triangle Suspension Systems Inc.

Note: Spring part numbers shown above are only the most common. This is not intended to be an all-encompassing list. Careful verification of all dimensions, capacity and specific application installation factors will determine the final selection of the replacement spring.

GM, Topkick Kodiak, B, P Series, Single Axle Multi-Leaf Spring, From 1990, Rear, Truck/Tractor Suspension



CHEVROLET TOPKICK, KODIAK - B, P SERIES - REAR SINGLE AXLE MULTI-LEAF SPRING (FROM 1990) TRUCK/TRACTOR SUSPENSION

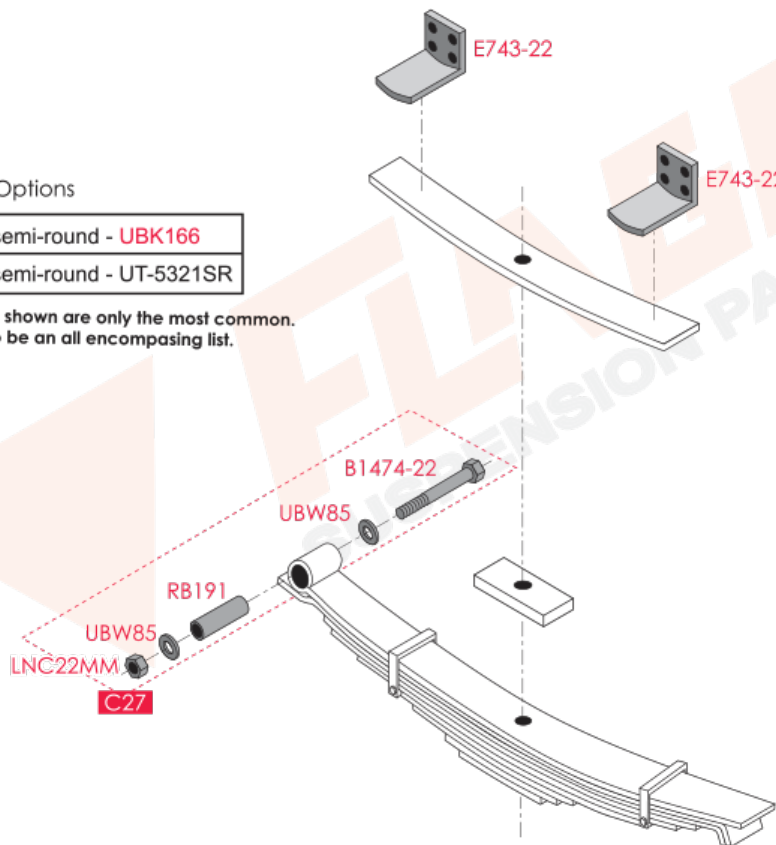
Use this drawing for the following:

- C6, C7 Series; Topkick, Kodiak [1990 - 2000]
- B6 Series [1992 - 2000]
- B7 Series, School Bus [1993 - 2000]
- P6 Series [1992 - 2000]

Common U-Bolt Options

3/4 x 3 x 18-1/2 - semi-round - UBK166
7/8 x 3 x 20-1/2 - semi-round - UT-5321SR

Note: U-Bolt numbers shown are only the most common.
This is not intended to be an all encompassing list.



Common Replacement Springs

Description	Part #
8 leaf, 5/3/pad, 8,200 lbs. rating	22-1547
9 leaf, 5/4 8475 lbs. rating	22-841
9 leaf, 5/4 9375 lbs. rating	22-843
10 leaf, 5/5, 10,250 lbs. rating	22-845
11 leaf, 6/5, 14,000 lbs. rating	22-845HD

© 2019 Triangle Suspension Systems Inc.

GM, Topkick Kodiak, B, P Series, Single Axle With Tapered, From 1990, Rear, Truck/Tractor Suspension



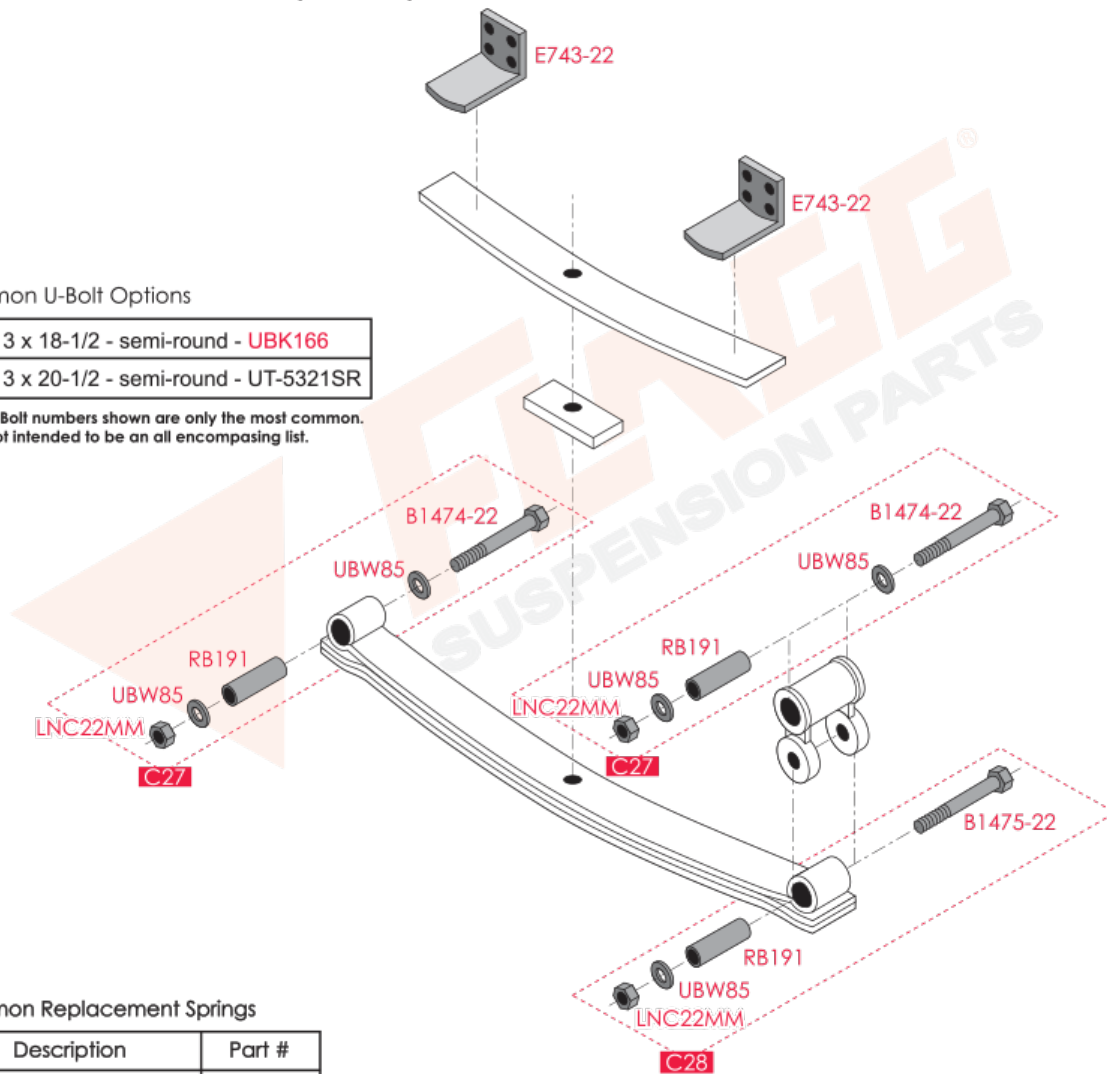
CHEVROLET TOPKICK, KODIAK; B, P SERIES - REAR SINGLE AXLE WITH TAPERED (FROM 1990) TRUCK/TRACTOR SUSPENSION

Use this drawing for the following:
 - C5, C6, C7 Series; Topkick, Kodiak [1990 - 2000]
 - B7 Series [1993 - 2000]
 - P6 Series [1992 - 2000]

Common U-Bolt Options

3/4 x 3 x 18-1/2 - semi-round - UBK166
7/8 x 3 x 20-1/2 - semi-round - UT-5321SR

Note: U-Bolt numbers shown are only the most common. This is not intended to be an all encompassing list.



Common Replacement Springs

Description	Part #
5 leaf, 9,500 lbs. rating	22-831
4 leaf, 11,500 lbs. rating	22-835

Note: Spring part numbers shown above are only the most common. This is not intended to be an all-encompassing list. Careful verification of all dimensions, capacity and specific application installation factors will determine the final selection of the replacement spring.

Suspension Application Guide

Table of Contents by Vehicle Application Type

~~ Hendrickson Truck/Tractor Suspension ~~	Page
Hendrickson, Airtek, Front	201
Hendrickson, AR2, 40K - 46K, Air, Rear	202
Hendrickson, Comfort Air, Single Axle	203
Hendrickson, Compositite Models SC, ST, STS, FX, Rear	204
Hendrickson, HA 360/400/460 Rear	205
Hendrickson, HAS 40LH, , Rear	206
Hendrickson, HAS, 120, 150, 190, 210, 230, Rear	207
Hendrickson, HAULMAAX, Rear	208
Hendrickson, MAXAIR AL-405, Rear	209
Hendrickson, Models E4 340 through E4 380, Rear	210
Hendrickson, Models HN 400 and HN402/460/462, 2nd design, Rear	211
Hendrickson, HTB LT for International Vehicles	212
Hendrickson, PRIMAAX EX 232/462/692 FIREMAAX EX 242/482, 12.5" - 15.5" Ride Height, Rear	213
Hendrickson, PRIMAAX Standard	219
Hendrickson, R 400/403/460/463	220
Hendrickson, RS 340	221
Hendrickson, RS 400/403/460/463	222
Hendrickson, RS 480/503/520/523	223
Hendrickson, RT 650	224
Hendrickson, RT/RTE, 340, 343, 400, 403, 460, 463	225
Hendrickson, RT/RTE, 480/503/520/523	226
Hendrickson, T 340/380/440/600/900 (Crane application)	227
Hendrickson, U/UE, RU/RUE 340 with 1-1/4" Spring Pins, Rear	228
Hendrickson, U2/UE2 340/380 with 1-3/8" Spring Pins, Rear	229
Hendrickson, ULTIMAAX for Kenworth Vehicles, Rear	230
Hendrickson, ULTIMAAX for Western Star Vehicles, Rear	231
Hendrickson, V4 340/380	232

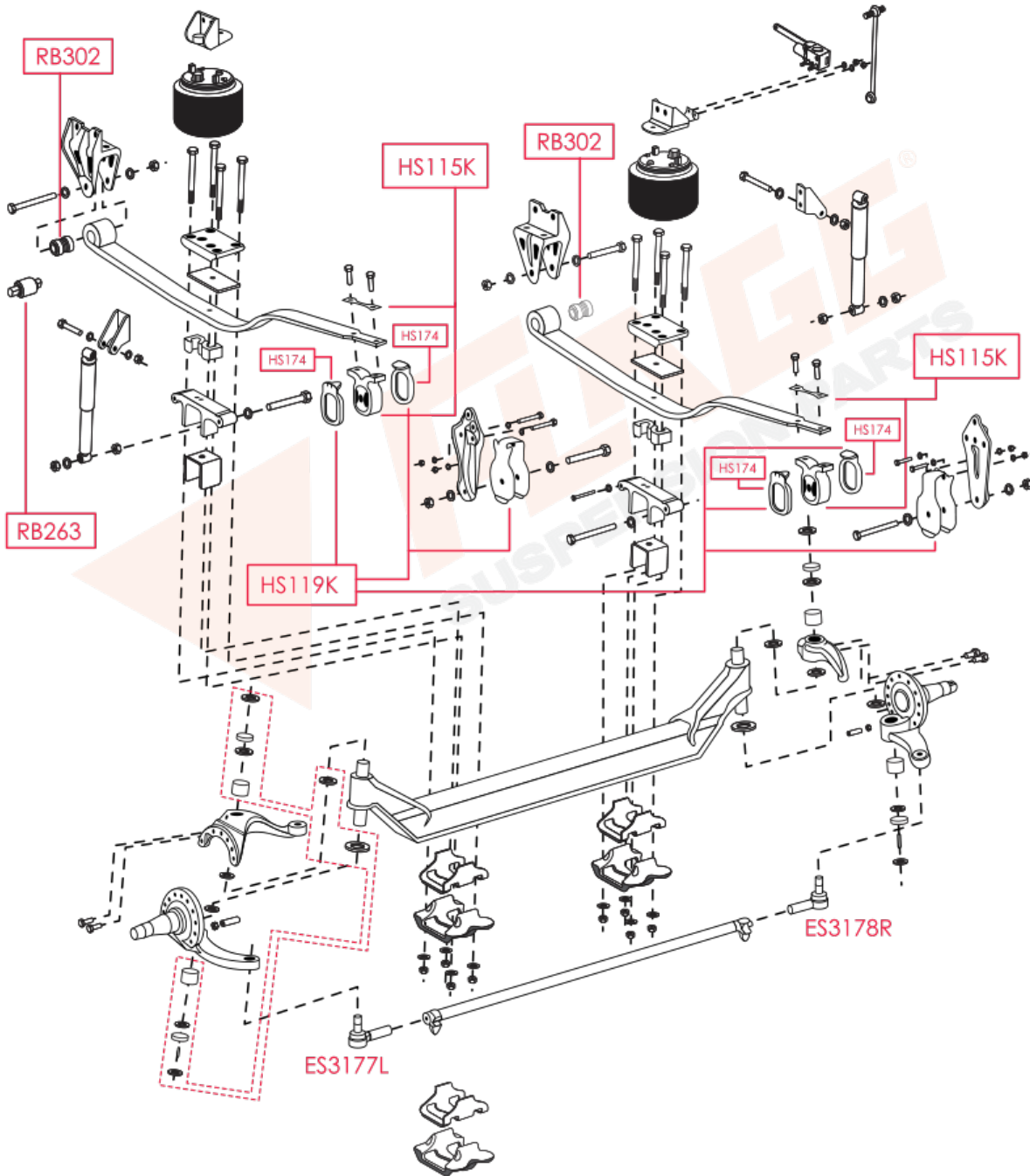
Hendrickson, Airtek, Front, Truck/Tractor Suspension



HENDRICKSON AIRTEK TRUCK/TRACTOR SUSPENSION

***BOLD RED NUMBERS REFLECT TRIANGLE PART NUMBERS**

**ITALICIZED BLACK NUMBERS REFLECT OEM NUMBERS (USE FOR REFERENCE ONLY)*



© 2018 Triangle Suspension Systems Inc.

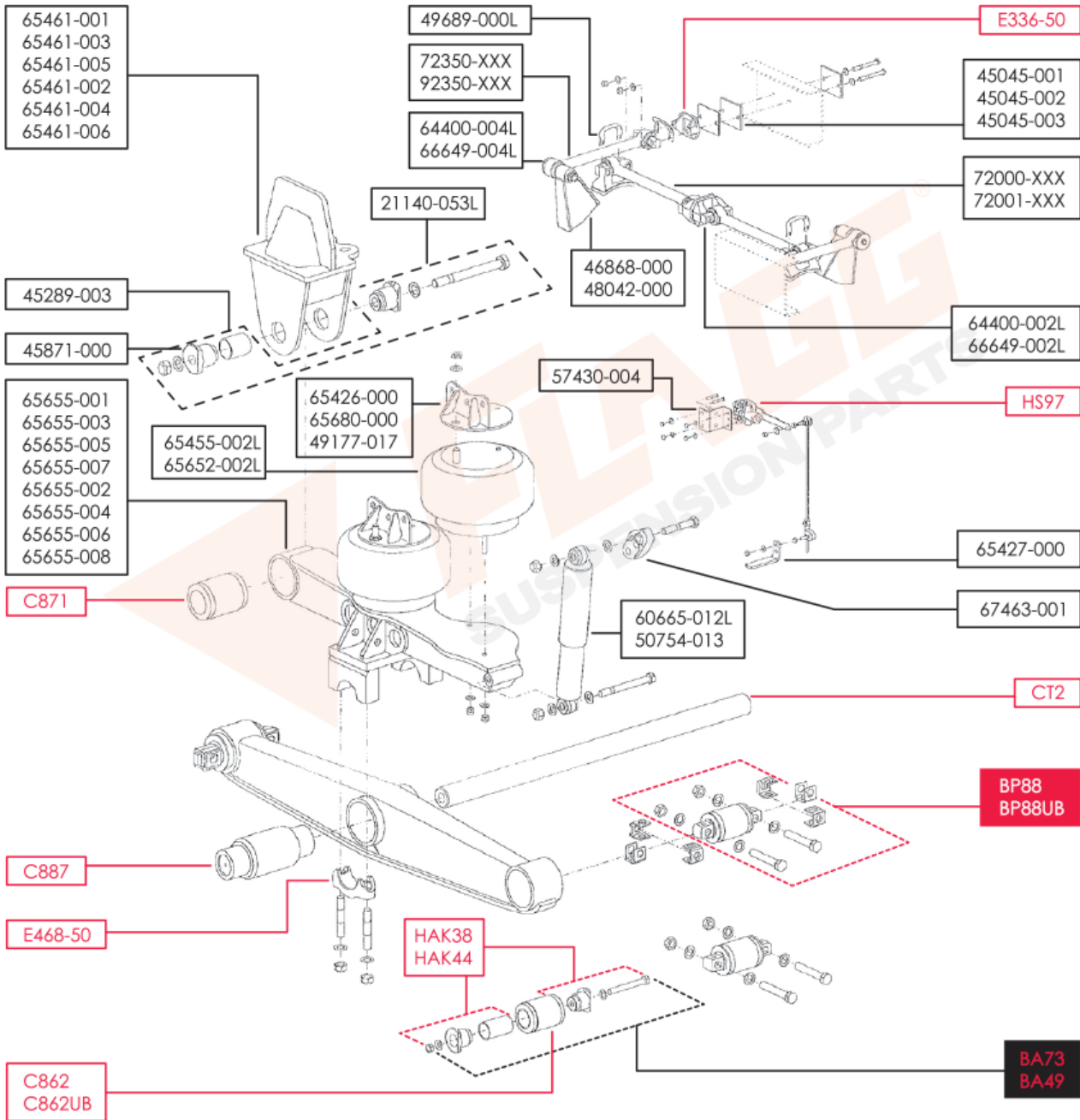
Hendrickson, AR2, 40K - 46K, Air, Rear, Truck/Tractor Suspension



HENDRICKSON AR2, 40K - 46K AIR TRUCK/TRACTOR SUSPENSION

***BOLD RED NUMBERS REFLECT TRIANGLE PART NUMBERS**

**ITALICIZED BLACK NUMBERS REFLECT OEM NUMBERS (USE FOR REFERENCE ONLY)*

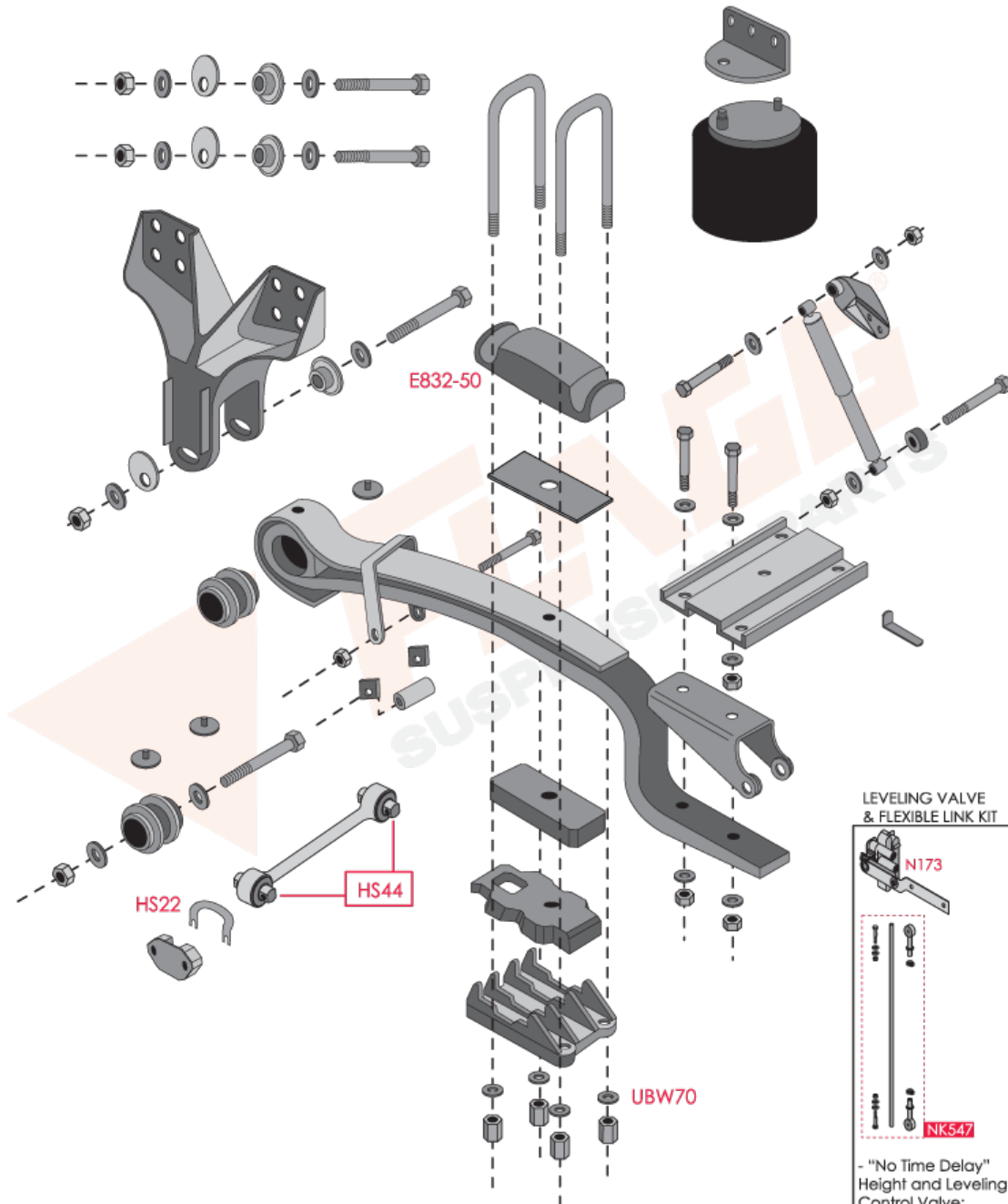


© 2018 Triangle Suspension Systems Inc.

Hendrickson, Comfort Air, Single Axle, Truck/Tractor Suspension



HENDRICKSON COMFORT AIR - SINGLE AXLE TRUCK/TRACTOR SUSPENSION

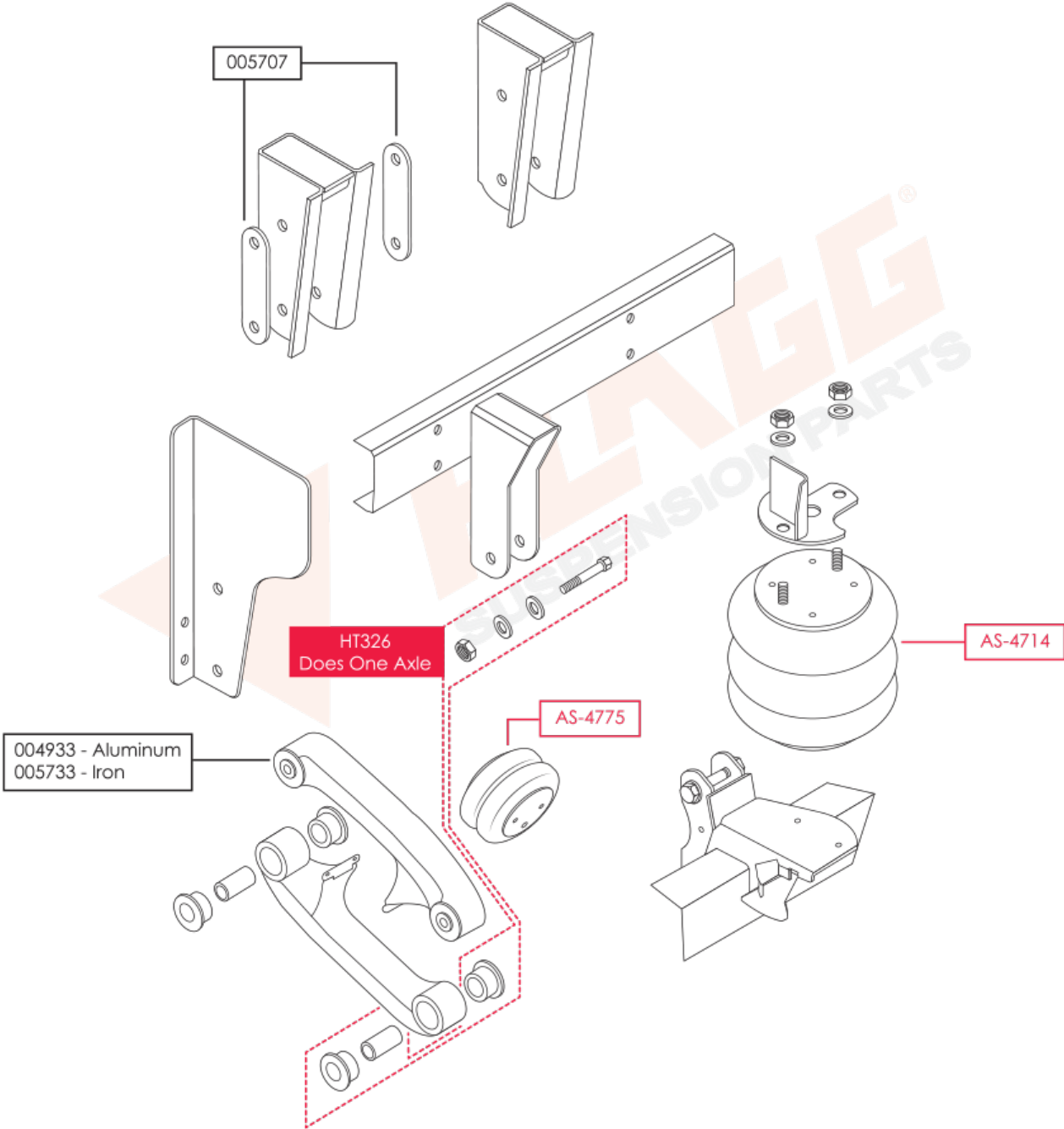


Hendrickson, Comosilite Models SC, ST, STS, FX, Rear, Truck/Tractor Suspension



HENDRICKSON COMOSILITE MODELS SC, ST, STS, FX LIFT AXLE SUSPENSION

***BOLD RED NUMBERS REFLECT TRIANGLE PART NUMBERS**
**ITALICIZED BLACK NUMBERS REFLECT OEM NUMBERS (USE FOR REFERENCE ONLY)*



Hendrickson, HA 360/400/460 Rear, Truck/Tractor Suspension



HENDRICKSON HA 360, 400, 460 TRUCK/TRACTOR SUSPENSION

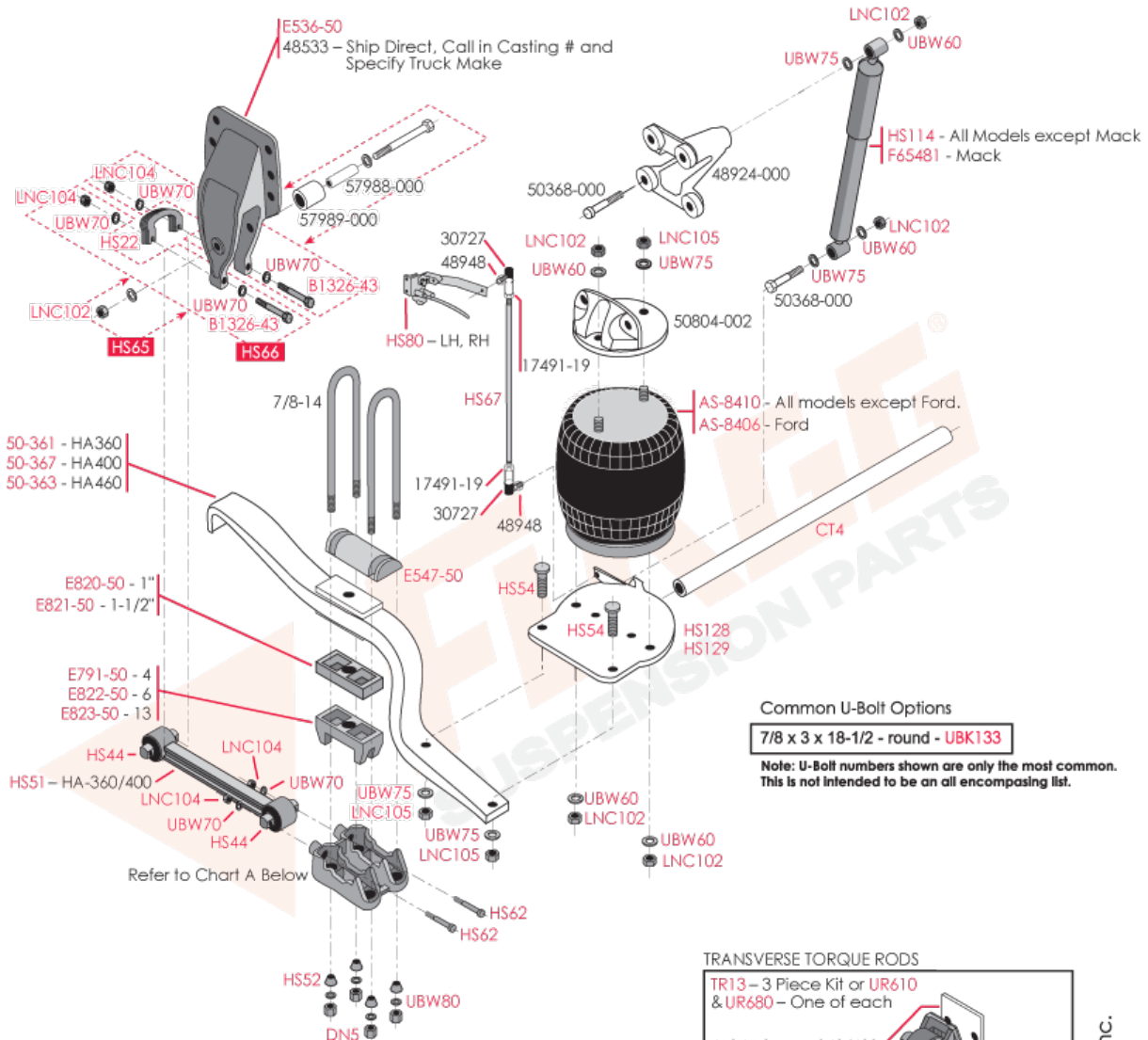


CHART A

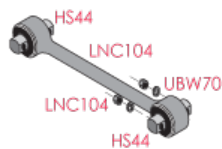
Front	Pinion Angle	Rear	Pinion Angle
E790-50 - LH	0-9	E790-50 - RH	0-9
49134 - RH	0-9	56857 - LH	9.5-12
		E824-50 - RH	9.5-12
		49135 - LH	0-9

Common Replacement Springs

Application Description	Part #
18K Rating	50-323, 50-361
20K Rating	50-325, 50-365, 50-367
23K Rating	50-329, 50-363

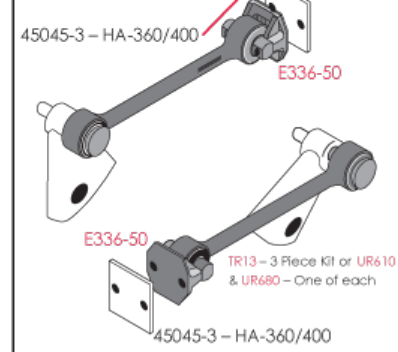
HA-460 TORQUE ROD

TR9 - 3 Piece Kit or UR610 & UR660 - One of each



TRANSVERSE TORQUE RODS

TR13 - 3 Piece Kit or UR610 & UR680 - One of each



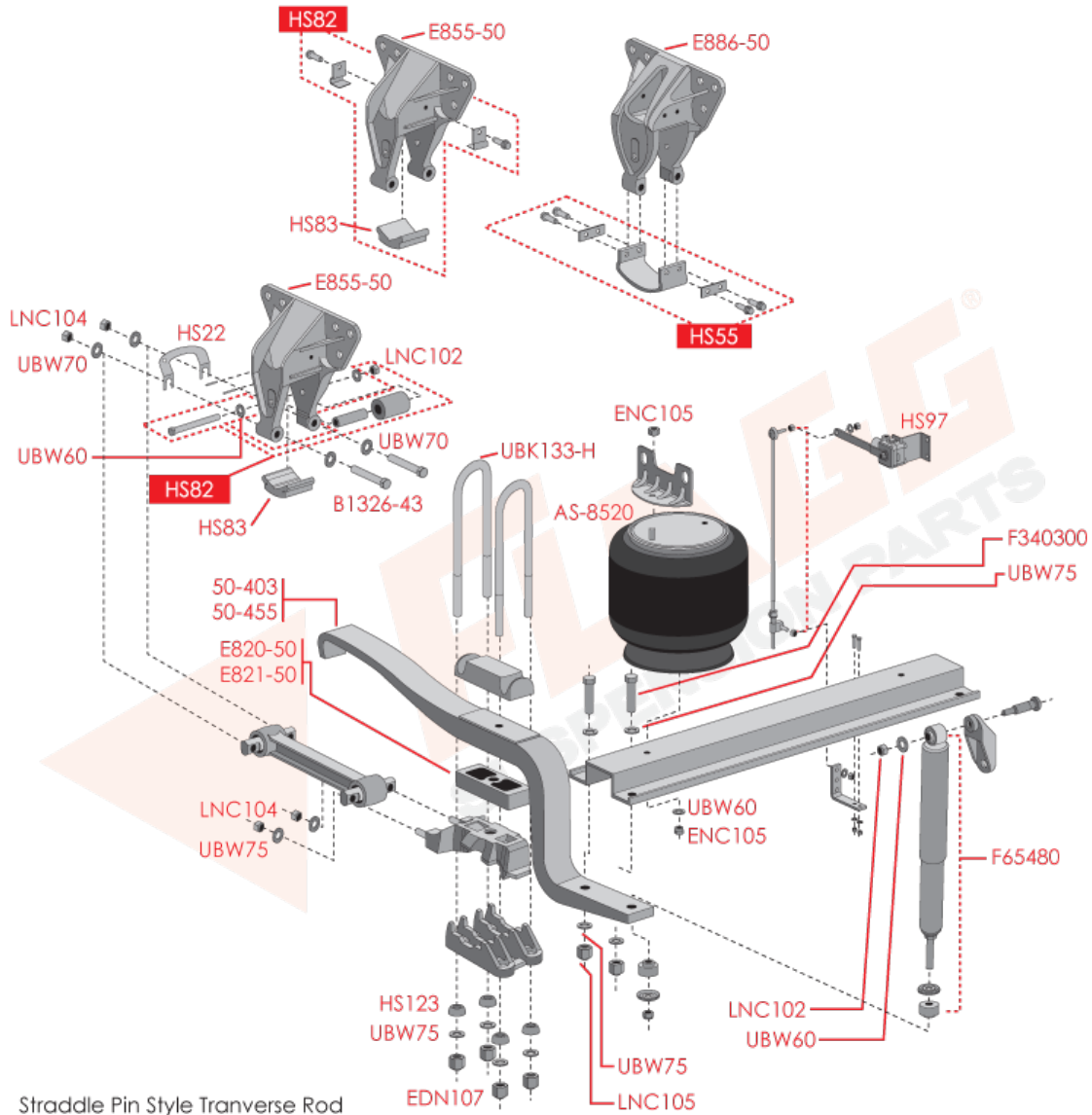
Note: Spring part numbers shown above are only the most common. This is not intended to be an all-encompassing list. Careful verification of all dimensions, capacity and specific application installation factors will determine the final selection of the replacement spring.

© 2013 Triangle Suspension Systems Inc.

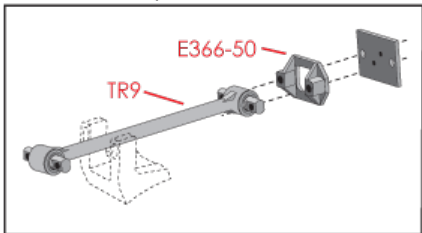
Hendrickson, HAS 40LH, Truck/Tractor Suspension, Rear, Truck/Tractor Suspension



HENDRICKSON HAS 40LH TRUCK/TRACTOR SUSPENSION



Straddle Pin Style Tranverse Rod

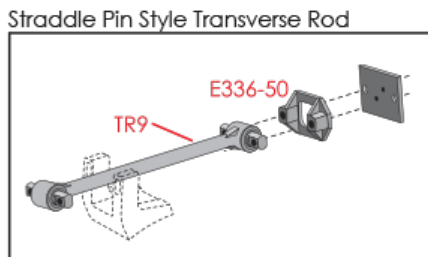
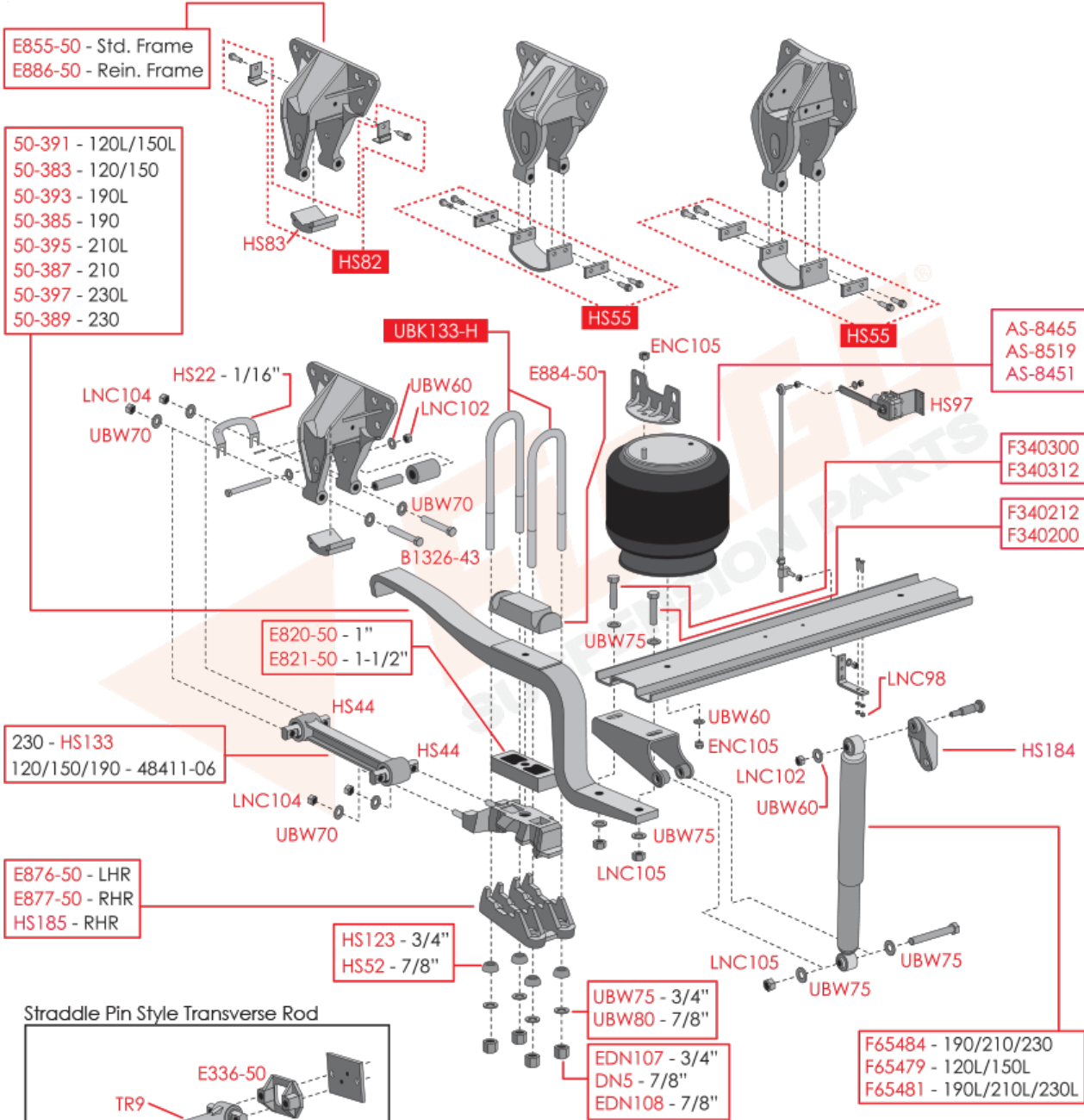


© 2013 Triangle Suspension Systems Inc.

Hendrickson, HAS, 120, 150, 190, 210, 230, Rear, Truck/Tractor Suspension



HENDRICKSON HAS 120/150/190/210/230 TRUCK/TRACTOR SUSPENSION



Common U-Bolt Options

7/8 x 3 x 18-1/2 - round - **UBK133-H**

Note: U-Bolt numbers shown are only the most common. This is not intended to be an all encompassing list.

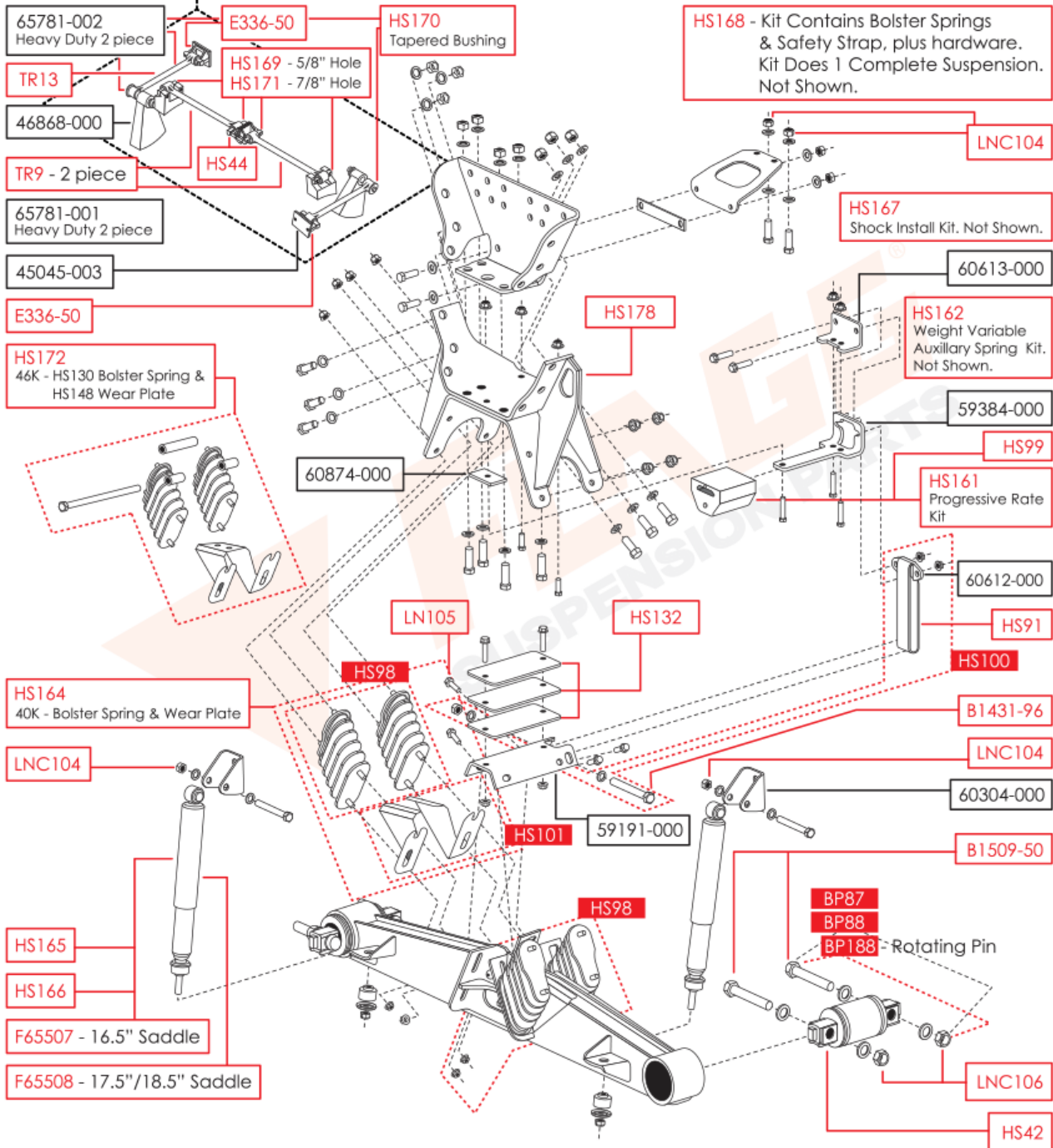
Hendrickson, HAULMAAX, Rear, Truck/Tractor Suspension

HENDRICKSON HAULMAAX TRUCK/TRACTOR SUSPENSION

*BOLD RED NUMBERS REFLECT TRIANGLE PART NUMBERS

*ITALICIZED BLACK NUMBERS REFLECT OEM NUMBERS (USE FOR REFERENCE ONLY)

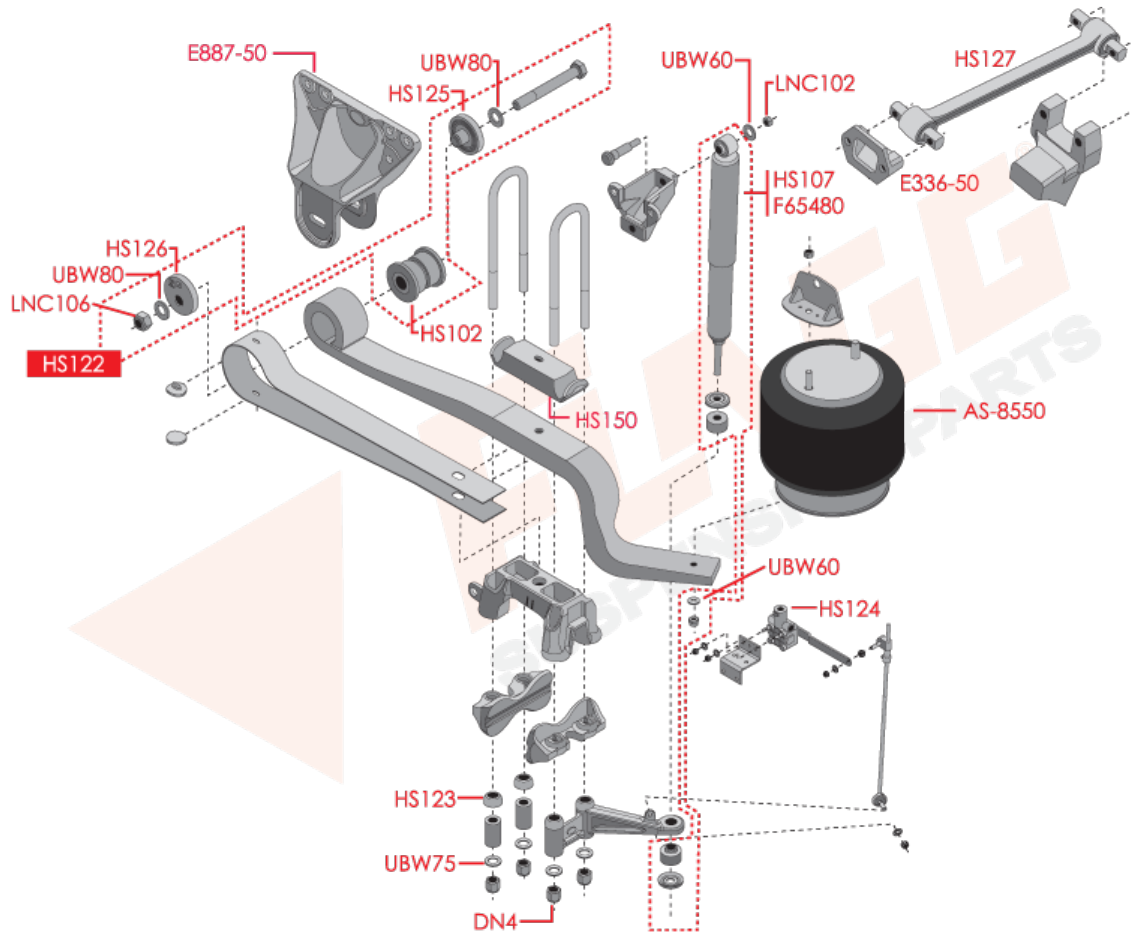
***SEE TRAXX ROD HEAVY DUTY TORQUE ROD PAGE**



Hendrickson, MAXAIR AL-405, Rear, Truck/Tractor Suspension



HENDRICKSON MAXAIR/AL-405 TRUCK/TRACTOR SUSPENSION



Common Replacement Springs

Application Description	Part #
LH	50-433
RH	50-435

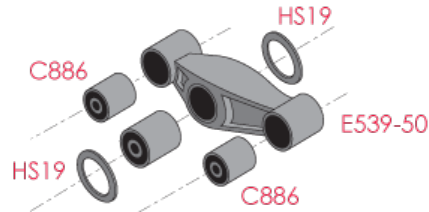
Note: Spring part numbers shown above are only the most common. This is not intended to be an all-encompassing list. Careful verification of all dimensions, capacity and specific application installation factors will determine the final selection of the replacement spring.

© 2013 Triangle Suspension Systems Inc.

Hendrickson, Models E4 340 through E4 380, Rear, Truck/Tractor Suspension



HENDRICKSON REAR - E4 340 THROUGH E4 380 TRUCK/TRACTOR SUSPENSION

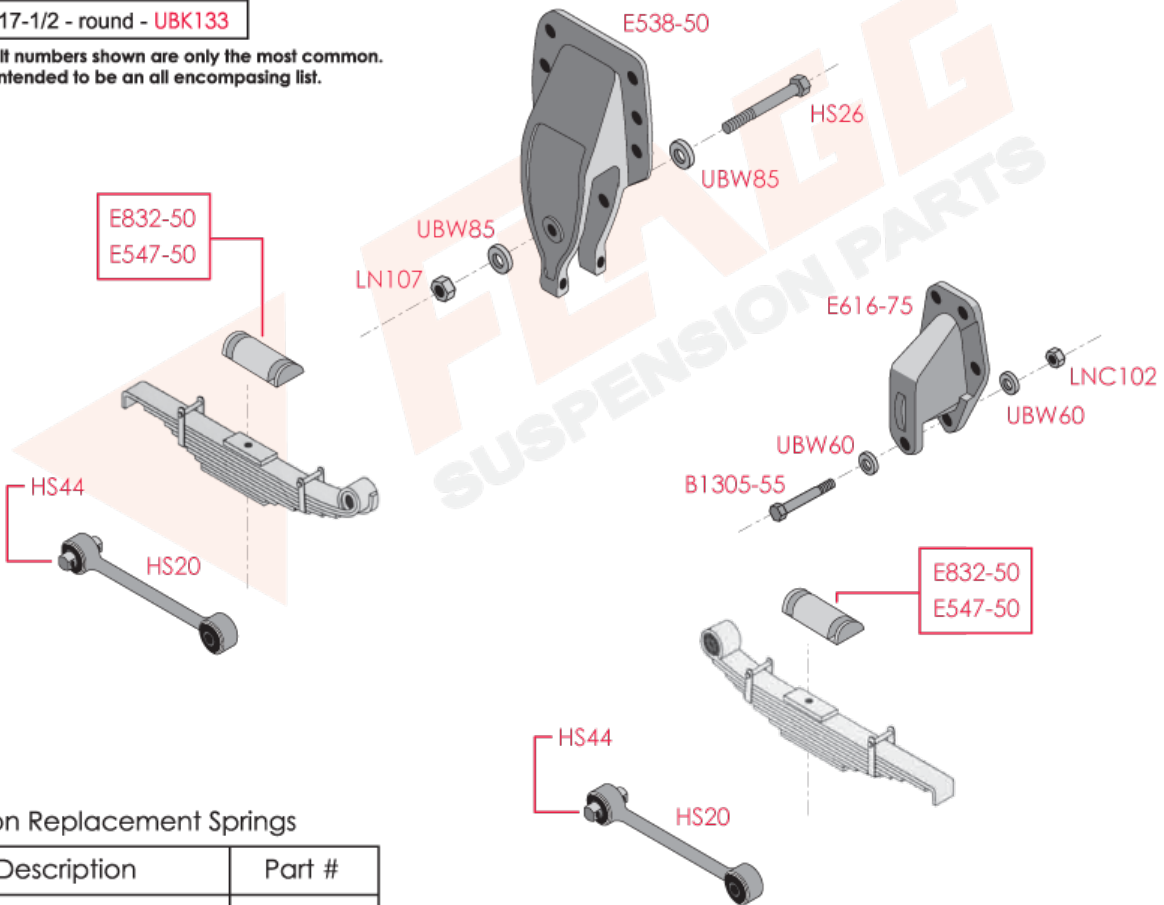


Common U-Bolt Options

7/8 x 3 x 16-1/2 - round - **UBK265**

7/8 x 3 x 17-1/2 - round - **UBK133**

Note: U-Bolt numbers shown are only the most common. This is not intended to be an all encompassing list.



Common Replacement Springs

Description	Part #
8 leaf: 10,000 rating	50-331
9 leaf: 7,242 rating	50-315
9 leaf: 8,500 rating	50-317

© 2013 Triangle Suspension Systems Inc.

Note: Spring part numbers shown above are only the most common. This is not intended to be an all-encompassing list. Careful verification of all dimensions, capacity and specific application installation factors will determine the final selection of the replacement spring.

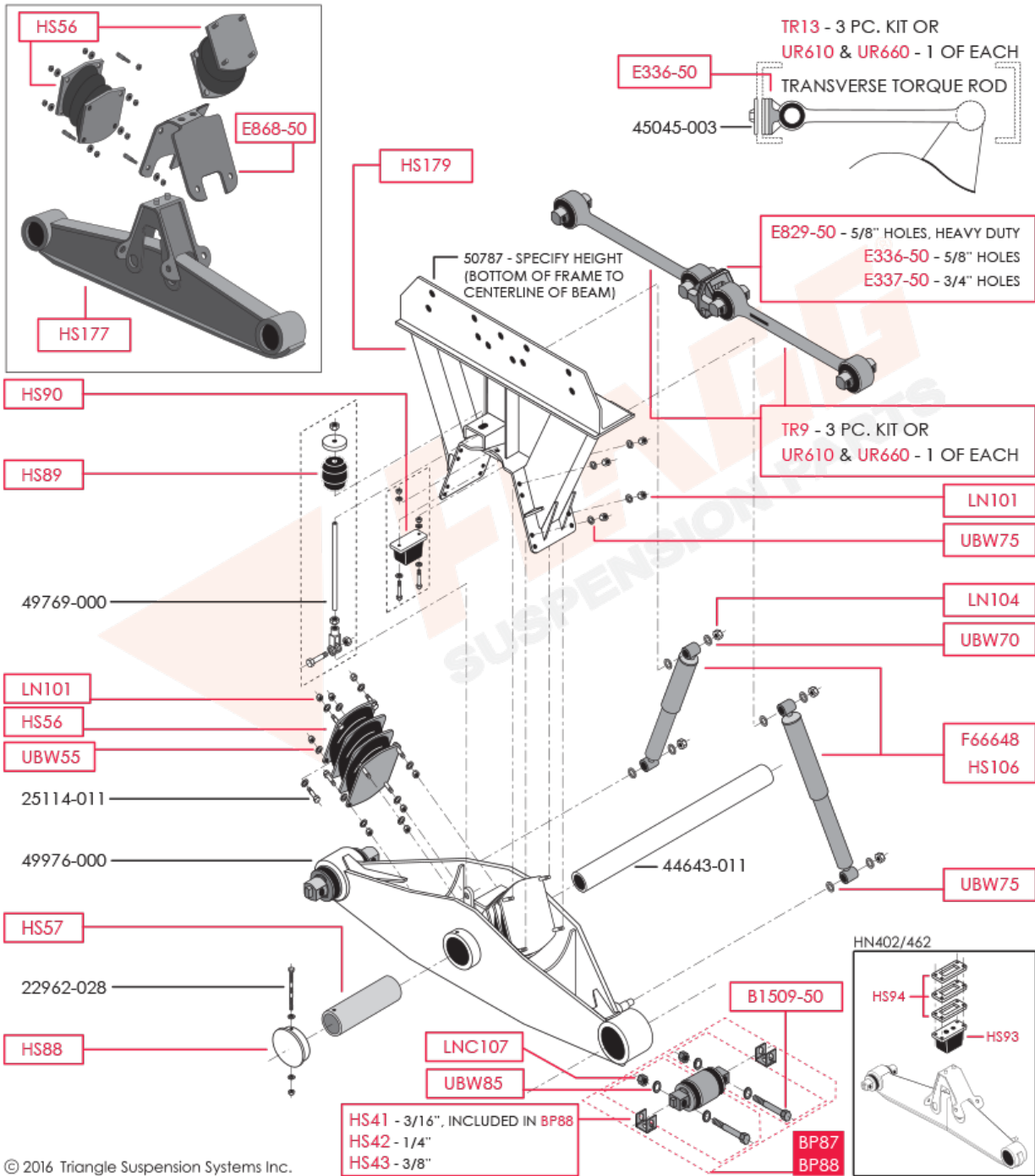
Hendrickson, Models HN 400 and HN402/460/462, 2nd design, Rear, Truck/Tractor Suspension



HENDRICKSON HN 402, 460, 462 TRUCK/TRACTOR SUSPENSION

***BOLD RED NUMBERS REFLECT TRIANGLE PART NUMBERS**

**ITALICIZED BLACK NUMBERS REFLECT OEM NUMBERS (USE FOR REFERENCE ONLY)*



Hendrickson, HTB LT for International Vehicles, Truck/Tractor Suspension

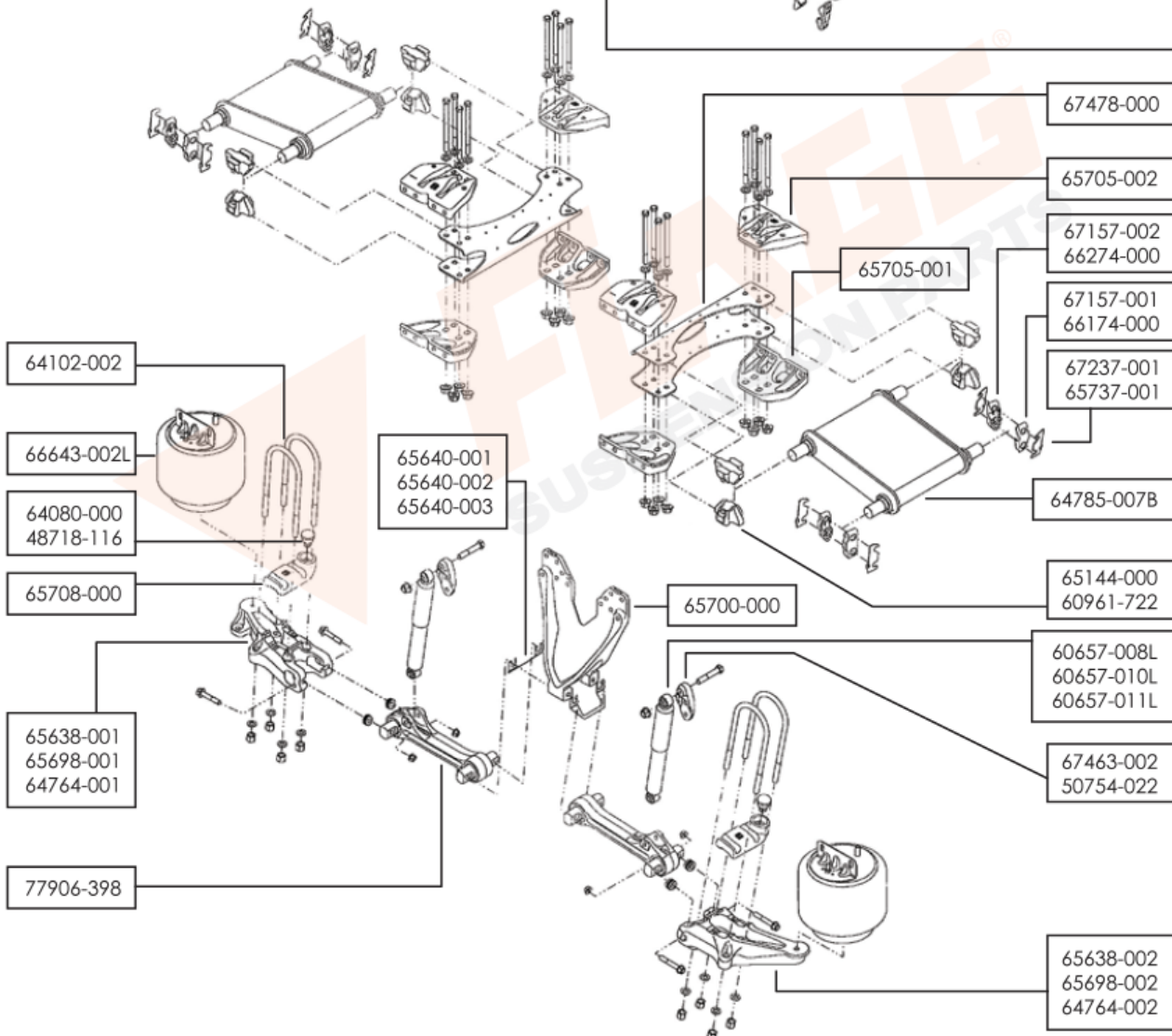
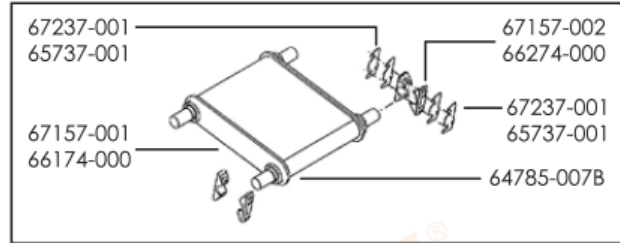


HENDRICKSON HTB LT FOR INTERNATIONAL VEHICLES TRUCK/TRACTOR SUSPENSION

***BOLD RED NUMBERS REFLECT TRIANGLE PART NUMBERS**

**ITALICIZED BLACK NUMBERS REFLECT OEM NUMBERS (USE FOR REFERENCE ONLY)*

Vehicles built prior to 10/07



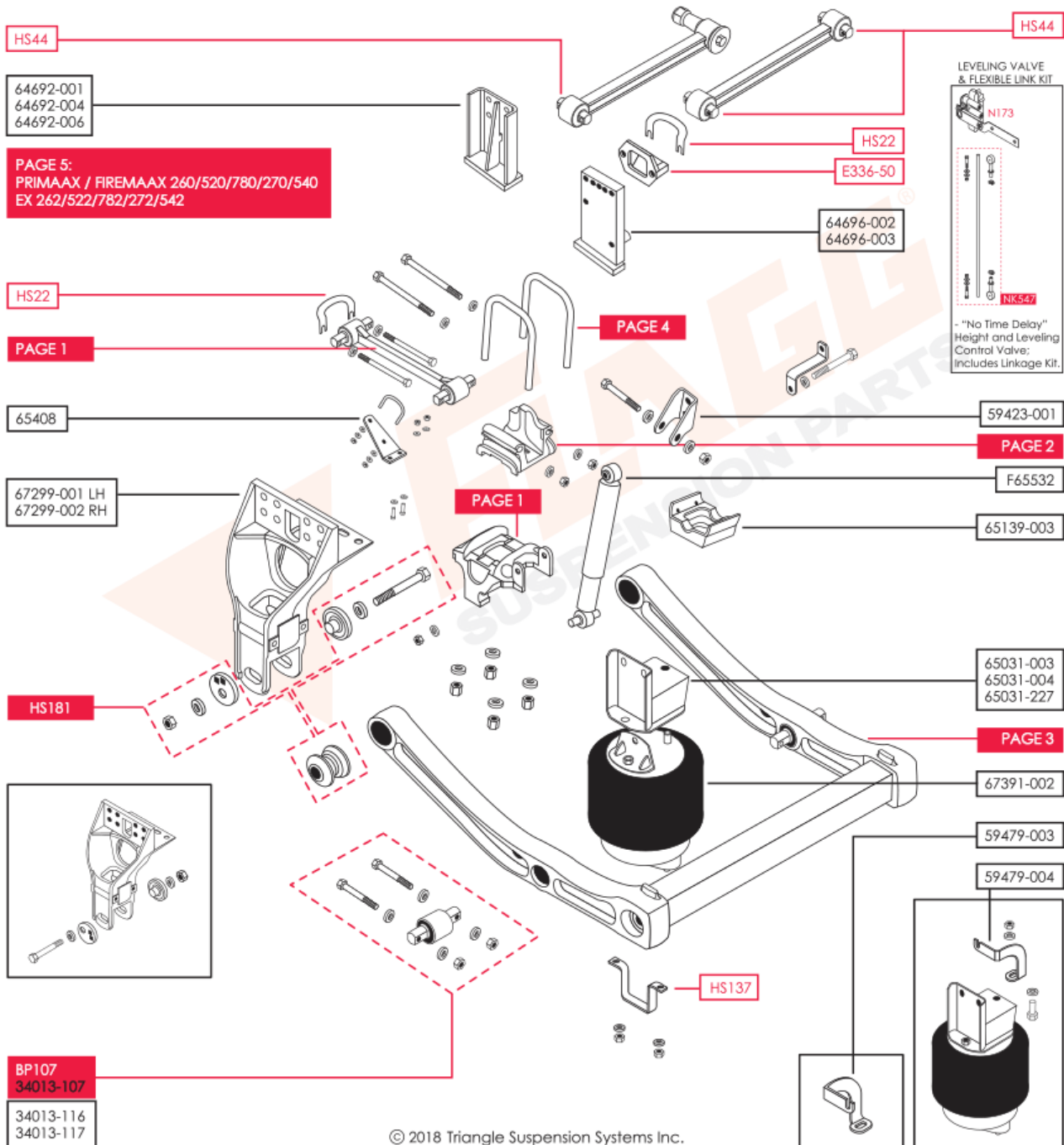
Hendrickson, PRIMAAX EX 232/462/692 FIREMAAX EX 242/482, 12.5" - 15.5" Ride Height, Rear, Truck/Tractor Suspension



HENDRICKSON PRIMAAX EX 232/462/692 FIREMAAX EX 242/482 12.5" - 15.5" RIDE HEIGHT TRUCK/TRACTOR SUSPENSION

***BOLD RED NUMBERS REFLECT TRIANGLE PART NUMBERS**

**ITALICIZED BLACK NUMBERS REFLECT OEM NUMBERS (USE FOR REFERENCE ONLY)*



© 2018 Triangle Suspension Systems Inc.

**Hendrickson, PRIMAAX EX 232/462/692 FIREMAAX EX 242/482, 12.5" - 15.5"
RIDE HEIGHT_TABLE PAGE 1**

HENDRICKSON

PRIMAAX EX 232/462/692 FIREMAAX EX 242/482, **TABLE PAGE 1**

TRUCK/TRACTOR SUSPENSION

10" RIDE HEIGHT

(FOR 8-1/2", 12-1/2", 14-3/8", & 15-1/2" DO NOT USE CHART - USE STAMPED PART # ONLY)

BOTTOM U-BOLT CAP & LONGITUDINAL T/ROD CHART					
230/460/690 / 240/480			232/462/692 / 242/282 (Except IHC)		
	Bottom Cap	LH Longitudinal T/Rod	RH Longitudinal T/Rod	LH & RH Longitudinal T/Rod	
Pinion Angle	Front	LH Front	RH Front	Front (Disc Brake)	Front (Drum Brake)
1.5	60556035	N/A	N/A	N/A	67428425
2.0	60556040				
2.5	60556025	60827605A	60827605B	67219435	67428435 (non-rebushable)
3.0	60556030				
3.5	60556035				
4.0	60556040				
4.5	60556045				
5.0	60556050				
5.5	60556055				
6.0	60556060				
6.5	60556065				
Pinion Angle	Rear				
7.0	60556110	64717620A	64717620B	67219435 Plus Pinion Spacer: 67045071	67428450
7.5	60556115				
8.0	60556120				
8.5	60556125	64717620A	64717620B	67219435 Plus Pinion Spacer: 67045071	67428460
9.0	60556130				
9.5	60556135				
10.0	MHS677				
10.5	60556105	60827645A	60827645B	67219475	67428475 (non-rebushable)
11.0	60556110				
11.5	60556115				
12.0	60556120				
12.5	60556125				
13.0	60556130				
13.5	60556135				
14.0	60556140				
14.5	60556145				

**Hendrickson, PRIMAAX EX 232/462/692 FIREMAAX EX 242/482, 12.5" - 15.5"
RIDE HEIGHT, TABLE PAGE 2**

HENDRICKSON

PRIMAAX EX 232/462/692 FIREMAAX EX 242/482, **TABLE PAGE 2**

TRUCK/TRACTOR SUSPENSION

10" RIDE HEIGHT

(FOR 8-1/2", 12-1/2", 14-3/8", & 15-1/2" DO NOT USE CHART - USE STAMPED PART # ONLY)

BOTTOM CAP, T/ROD SPACER & LONGITUDINAL T/ROD CHART					
Pinion Angle	LH Longitudinal T-Rod	RH Longitudinal T-Rod	Pinion Angle	LH Longitudinal T-Rod	RH Longitudinal T-Rod
2.0 to 3.5	66359650A	66359650B	1.0 to 2.0	66359650A	66359650B
4.0 to 5.5	66359660A	66359660B	2.5 to 3.0	66359660A	66359660B
2.0 to 3.5 (Pierce)	66359670A	66359670B	3.5 to 4.0	66359670A	66359670B
10.0 to 10.5	66359585A	66359585B	9.0 to 9.5	66359585A	66359585B
11.0 to 11.5	66359590A	66359590B	10.0 to 10.5	66359590A	66359590B
12.0 to 12.5	66359595A	66359595B	11.0 to 11.5	66359595A	66359595B
11.0 to 11.5 (Pierce)	66359600A	66359600B	*All Type "B" Non-Rebushable		

9" RIDE HEIGHT, 230/460/690 (IHC ONLY)

AXLE SPACER - T/ROD - BOTTOM CAP			
Pinion Angle	Spacer (if needed)	Longitudinal T-Rod	Bottom Cap
2.54	N/A	N/A	60556035
3.61	67045072		
4.56	67045071		
5.72	67045070		
6.71	67045069		
6.62	N/A	N/A	N/A
7.67	67045072		
8.62	67045071		
9.77	67045070		
10.75	67045069		
7.07	N/A	N/A	60556105
8.12	67045072		
9.06	67045071		
10.22	67045070		
11.20	67045069		

**Hendrickson, PRIMAAX EX 232/462/692 FIREMAAX EX 242/482, 12.5" - 15.5"
RIDE HEIGHT, TABLE PAGE 3**

HENDRICKSON

PRIMAAX EX 232/462/692 FIREMAAX EX 242/482, **TABLE PAGE 3**
TRUCK/TRACTOR SUSPENSION

PRIMAAX 230/460/690, FIREMAAX 240/480								
PRIMAAX EX 232/462/692, FIREMAAX EX 242/282								
Service Kit OEM No.	New Beam OEM No.	Old Beam OEM No.	Axle	Beam Width	Frame Width	Tube Length	Cross Tube OEM No.	Models
60961237	67249002	66659002	Front	40.0"	33.5"	41.47"	60912105	Mack, Volvo
60961238	67249001	66659001	Rear					
60961235	67249004	66659004	Front	40.0"	34.0"	41.47"	60912101	Kenworth, Western Star, All Fire Rescue (except Spartan)
60961236	67249003	66659003	Rear					
60961247	67249008	66659008	Front	40.0"	34.0" Tall (Fab. Hanger)	41.47"	60912101	Advance, IPI, Oshkosh
60961248	67249007	66659007	Rear					
60961251	67249008	66659008	Front	40.0"	34.0" Tall (Cast Hanger)	41.47"	60912101	Advance, IPI, Oshkosh
60961252	67249007	66659007	Rear					
60961241	67249012	66659012	Front	40.3"	34.3"	41.78"	60912103	Freightliner, Sterling, Autocar
60961242	67249011	66659011	Rear					
60961239	67249010	66659010	Front	40.5"	34.5"	41.97"	60912102	Freightliner, Sterling
60961240	67249009	66659009	Rear					
60961261	67249012	66659012	Front	40.3"	34.3"	41.78"	60912103	International
60961262	67249011	66659011	Rear					
60961263	67249010	66659010	Front	40.5"	34.5"	41.97"	60912102	International
60961264	67249009	66659009	Rear					
60961243	67249024	66659024	Front	40.8"	34.8"	42.28"	60912109	International
60961244	67249023	66659023	Rear					
60961245	67249018	66659018	Front	41.0"	35.0"	42.47"	60912107	Spartan
60961246	67249017	66659017	Rear					
60961267			Front	34.0"				Fire Rescue (except Spartan)
60961268			Rear					

Hendrickson, PRIMAAX EX 232/462/692 FIREMAAX EX 242/482, 12.5" - 15.5" RIDE HEIGHT_TABLE PAGE 4

HENDRICKSON

PRIMAAX EX 232/462/692 FIREMAAX EX 242/482, TABLE PAGE 4 TRUCK/TRACTOR SUSPENSION

PRIMAAX 260/520/780, FIREMAAX 270/540								
PRIMAAX EX 262/522/782, FIREMAAX EX 272/542								
Service Kit OEM No.	New Beam OEM No.	Old Beam OEM No.	Axle	Beam Width	Frame Width	Tube Length	Cross Tube OEM No.	Models
60961253	67249006	66659006	Front	40.0"	34.0"	41.47"	60912101	Kenworth, Western Star, All Fire Rescue (except Spartan)
60961254	67249005	66659005	Rear					
60961257	67249016	66659016	Front	40.3"	34.3"	41.78"	60912103	Freightliner
60961258	67249015	66659015	Rear					
60961255	67249014	66659014	Front	40.5"	34.5"	41.97"	60912102	Freightliner
60961256	67249013	66659013	Rear					
60961259	67249026	66659026	Front	40.8"	34.8"	42.28"	60912109	International
60961260	67249025	66659025	Rear					
60961269			Front	34.0"				All 12.5" - 15.5" (except Spartan)
60961270			Rear					

PRIMAAX / FIREMAAX U-BOLT CHART			
OEM U-Bolt Ref.	OEM Kit Ref.	Size	Model & Ride Height Notes
59367004	48718125	3/4" x 6-3/8" Sq. Hs. x 10-3/8"	8.5" Rd. Hgt. (A)(B); 9.0" IHC (E); 12.5" (F)(G)
59367002	48718108	3/4" x 6-3/8" Sq. Hs. x 8-7/8"	10.0" Rd. Hgt. (A)(B); 14.375" & 15.5" (F)(G)
59367009	48718126	3/4" x 6-3/8" Sq. Hs. x 9-7/8"	Disc Brakes 10.0" Rd. Hgt. (A)(B); 14.375" & 15.5" (F)(G)
59367012	48718132	3/4" x 6-3/8" Sq. Hs. x 11-3/8"	Disc Brakes 8.5" Rd. Hgt. (A)(B); 12.5" (F)(G)
59367008 Inbrd. 59367007 Outbrd.	48718120	3/4" x 7-1/8" Sq. Hs. x 10-1/2" 3/4" x 7-1/8" Sq. Hs. x 10.0"	10.0" Rd. Hgt. (C)(D)(J)(K)
59367011 Inbrd. 59367010 Outbrd.	48718118	3/4" x 7-1/8" Sq. Hs. x 12.0" 3/4" x 7-1/8" Sq. Hs. x 11-1/2"	8.5" Rd. Hgt. (C)(D)(J)(K)
59367013	48718129	3/4" x 6-3/8" Sq. Hs. x 8-7/8"	10.0" (H)(I); 14.375" & 15.5" (L)(M)
59367014	48718130	3/4" x 6-3/8" Sq. Hs. x 10-3/8"	8.5" - 9.5" Rd. Hgt. IHC (H)(I); 12.5" (L)(M)
59367015		3/4" x 6-3/8" Sq. Hs. x 11-7/8"	

Key	Suspension	Model	Ride Height
(A)	PRIMAAX	230/460/690	8-1/2" - 10.0"
(B)	FIREMAAX	240/480	8-1/2" - 10.0"
(C)	PRIMAAX	260/520/780	8-1/2" - 10.0"
(D)	FIREMAAX	270/540	8-1/2" - 10.0"
(E)	PRIMAAX	230/460/690 IHC	8-1/2" - 10.0"
(F)	PRIMAAX	230/460/690	12-1/2" - 14-3/8" - 15-1/2"
(G)	FIREMAAX	240/280	12-1/2" - 14-3/8" - 15-1/2"

Key	Suspension	Model	Ride Height
(H)	PRIMAAX	EX 232/462/692	8-1/2" - 10.0"
(I)	FIREMAAX	EX 242/482	8-1/2" - 10.0"
(J)	PRIMAAX	EX 262/522/782	8-1/2" - 10.0"
(K)	FIREMAAX	EX 272/542	8-1/2" - 10.0"
(L)	PRIMAAX	EX 232/462/892	12-1/2" - 14-3/8" - 15-1/2"
(M)	PRIMAAX	EX 272/542	12-1/2" - 14-3/8" - 15-1/2"

© 2018 Triangle Suspension Systems Inc.

**Hendrickson, PRIMAAX EX 232/462/692 FIREMAAX EX 242/482, 12.5" - 15.5"
RIDE HEIGHT_TABLE PAGE 5**

HENDRICKSON

PRIMAAX / FIREMAAX 260/520/780/270/540,

EX 262/522/782/272/542, **TABLE PAGE 5**

TRUCK/TRACTOR SUSPENSION

TOP CAP, (8-1/2", 10.0" & 12-1/2" RIDE HEIGHT)		
Axle	Straight Side	Transition Side
Meritor	65210001 / 65209001 Cast#	65210003 / 65209003 Cast#
Dana	65210002 / 65209002 Cast#	65210004 / 65209004 Cast#

Axle Spacer, (8-1/2" & 12-1/2" Ride Hgt.)					
Beam Width	Axle	Single Axle Straight	Single Axle Transition	Tandem Straight	Tandem Transition
40.0"	Meritor	65276000	65277000	65276000	65277000
40.0"	Dana	65139003	65139003	65274000	65275000
40.5"	Meritor	65276000	65277000	67973003	67973004
40.5"	Dana	65139003	65139003	67973001	67973002
40.8"	Meritor	65276000	65277000	67973103	67973104
40.8"	Dana	65139003	65139003	67973101	67973102

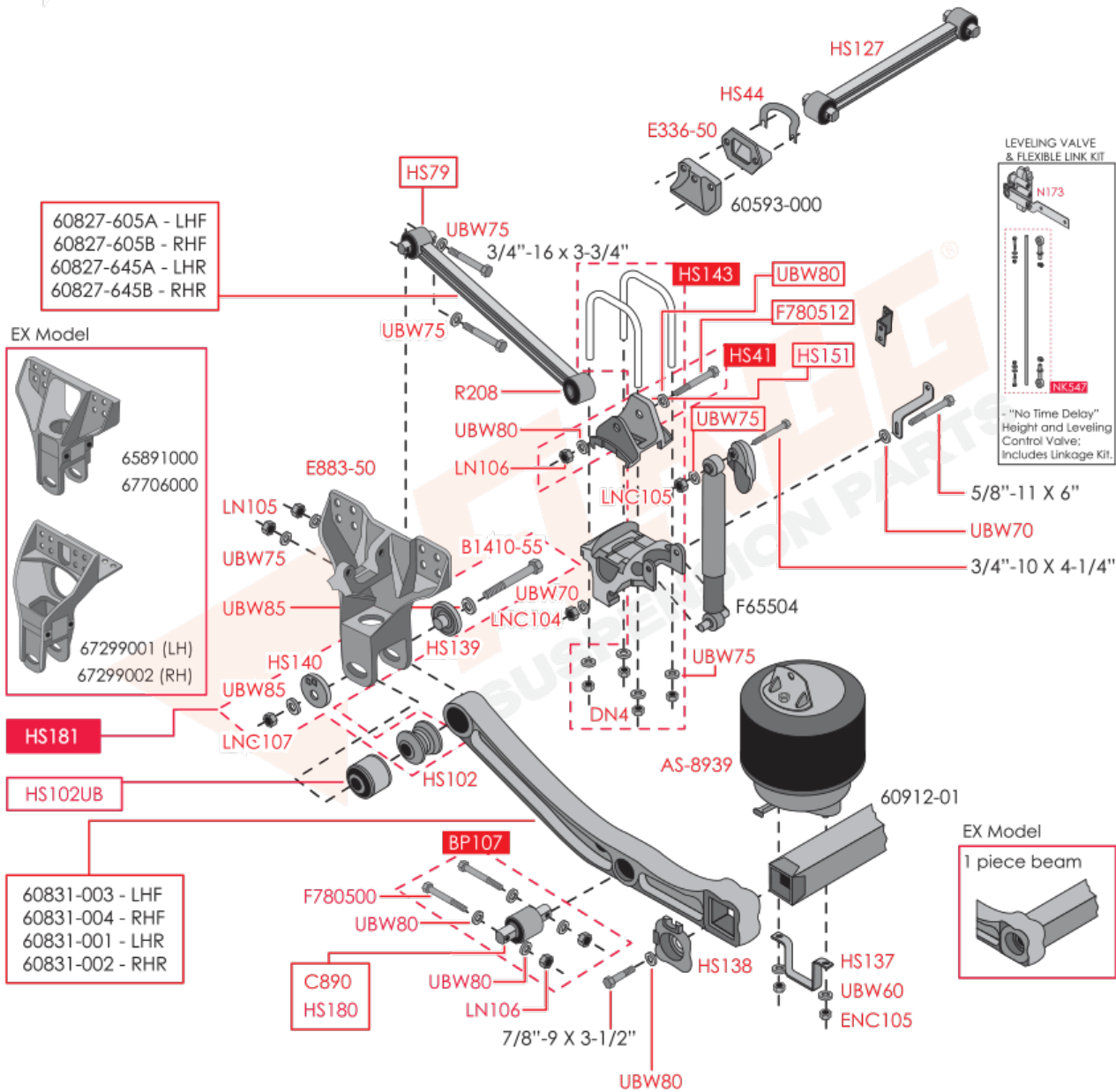
Bottom Cap, (8-1/2" & 12-1/2" Ride Hgt.)					
Beam Width	Axle	Single Axle Straight	Single Axle Transition	Tandem Straight & Transition	Tandem Transition
40.0"	Meritor	65208101	65208101	65208101	65208103
40.0"	Dana	Check OEM	Check OEM	65208102	65208104
40.5"	Meritor	65208101	65208101	65208101	65208103
40.5"	Dana	Check OEM	Check OEM	65208102	65208104
40.8"	Meritor	65208101	65208101	65208101	65208103
40.8"	Dana	Check OEM	Check OEM	65208102	65208104

Bottom Cap, (10" Ride Hgt.)							
Beam Width	Axle	Single Axle Straight	Single Axle Transition	Tandem Front Straight	Tandem Rear Straight	Tandem Front Transition	Tandem Rear Transition
40.0"	Meritor	65208101	65208105	65208101	65208103	65208106	65208109
40.0"	Dana	Check OEM	Check OEM	65208102	65208104	65208108	65208111
40.5"	Meritor	65208101	67913005	65208101	65208103	67913006	67913009
40.5"	Dana	Check OEM	Check OEM	65208102	65208104	67913008	67913011
40.8"	Meritor	65208101	67913105	65208101	65208103	67913106	67913109
40.8"	Dana	Check OEM	Check OEM	65208102	65208104	67913108	67913111

Hendrickson, PRIMAAX Standard, Truck/Tractor Suspension



HENDRICKSON PRIMAAX STANDARD TRUCK/TRACTOR SUSPENSION

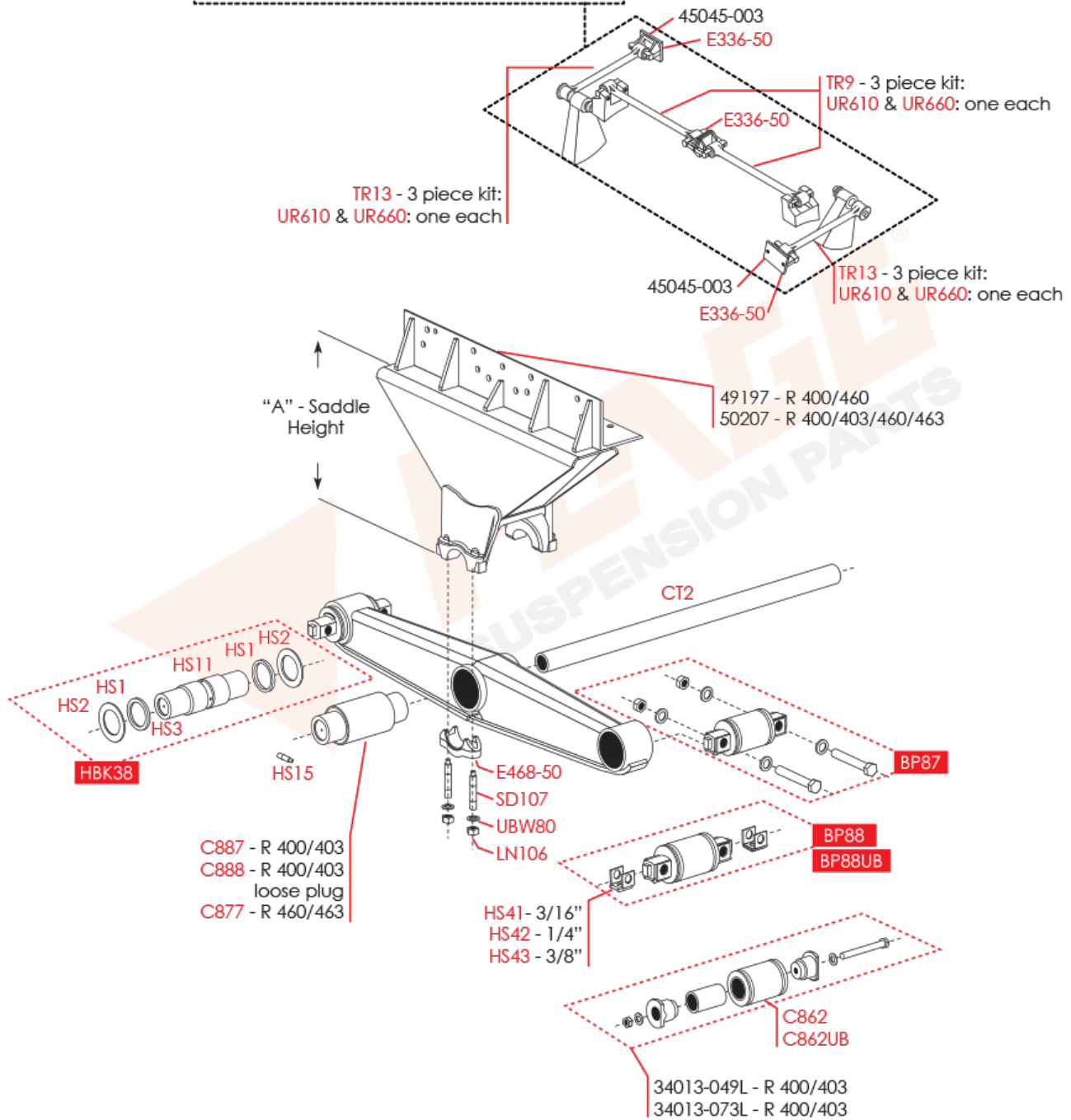


Hendrickson, R 400/403/460/463, Truck/Tractor Suspension

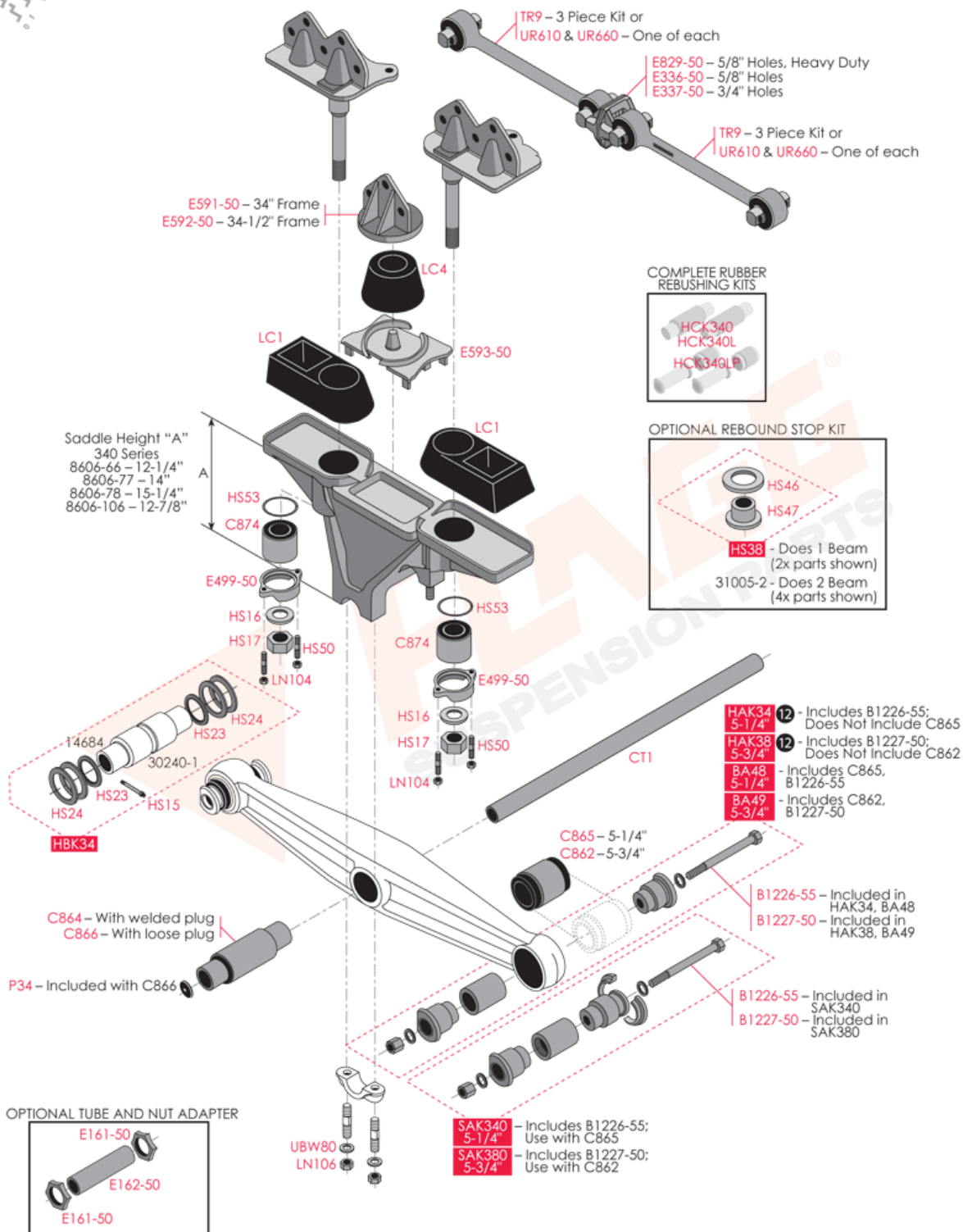


HENDRICKSON R 400/403/460/463 TRUCK/TRACTOR SUSPENSION

***SEE TRAXX ROD HEAVY DUTY TORQUE ROD PAGE**



Hendrickson, RS 340, Truck/Tractor Suspension



12 For Alignment Adapter Use: **CAK34** - 5-1/4", **CAK38** - 5-3/4".

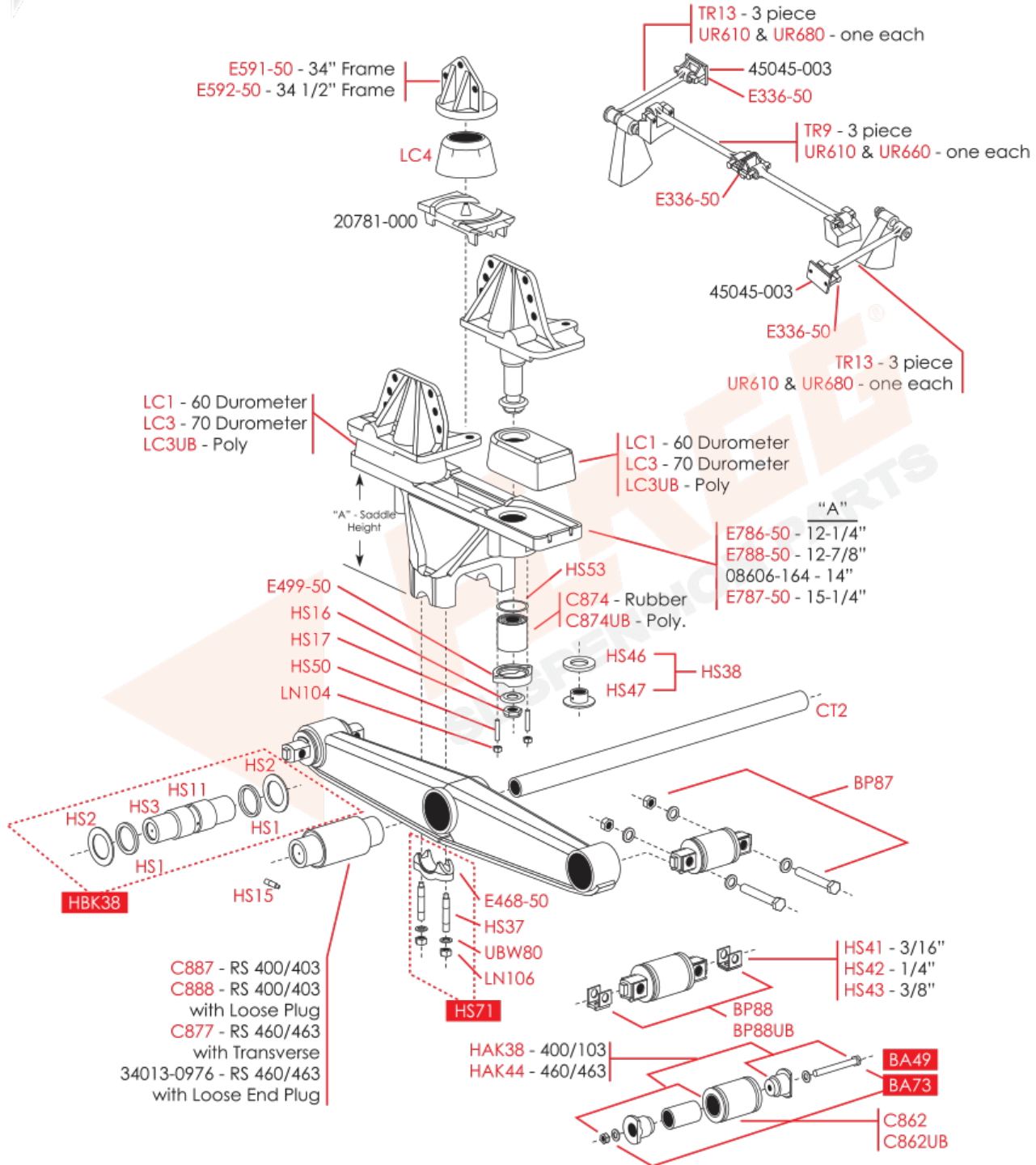
Hendrickson, RS 400/403/460/463, Truck/Tractor Suspension



HENDRICKSON RS 400/403/460/463 TRUCK/TRACTOR SUSPENSION

***BOLD RED NUMBERS REFLECT TRIANGLE PART NUMBERS**

**ITALICIZED BLACK NUMBERS REFLECT OEM NUMBERS (USE FOR REFERENCE ONLY)*

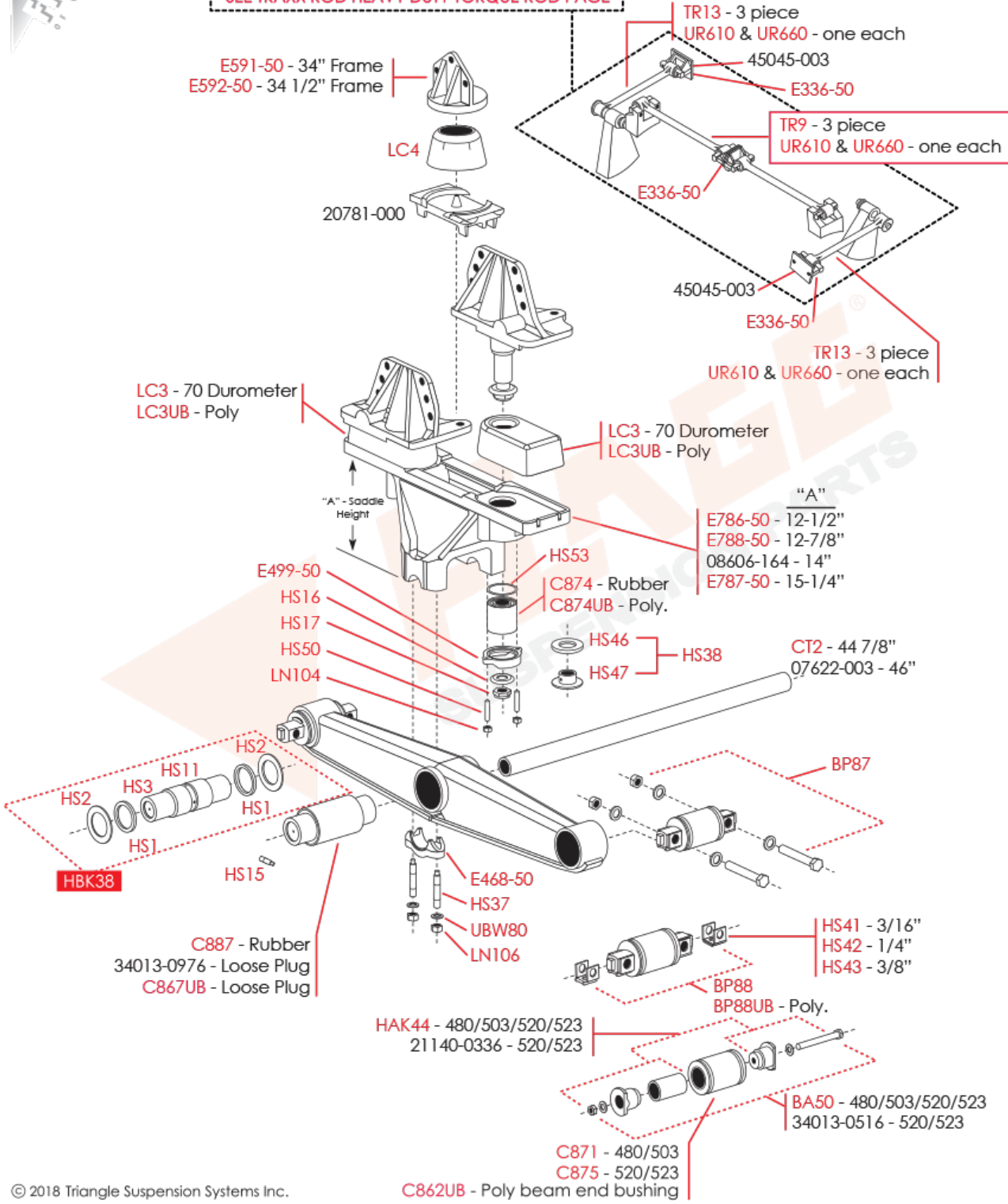


Hendrickson, RS 480/503/520/523, Truck/Tractor Suspension



HENDRICKSON RS 480/503/520/523 TRAILER SUSPENSION

***SEE TRAXX ROD HEAVY DUTY TORQUE ROD PAGE**



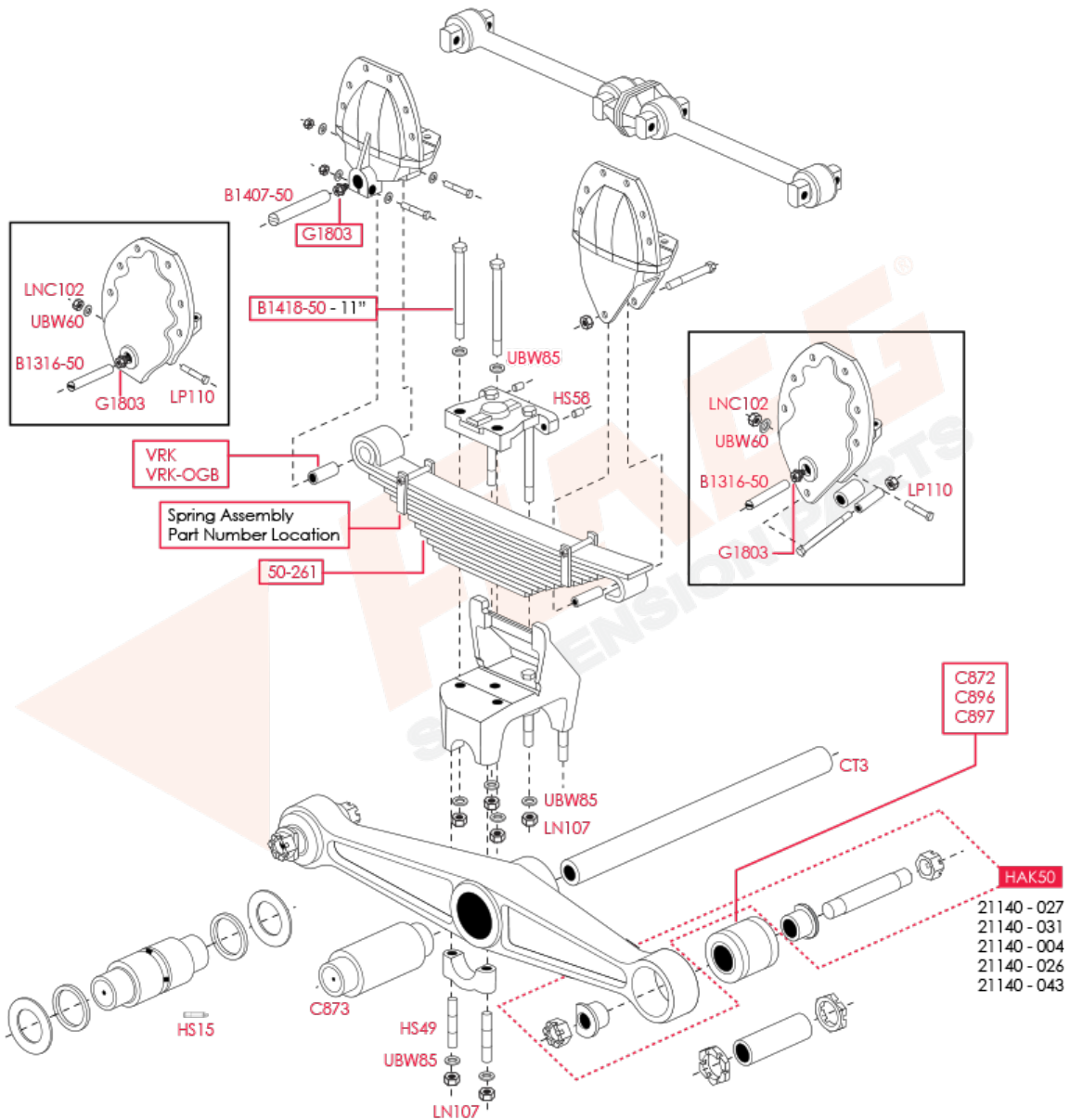
Hendrickson, RT 650, Truck/Tractor Suspension



HENDRICKSON RT650 TRUCK/TRACTOR SUSPENSION

***BOLD RED NUMBERS REFLECT TRIANGLE PART NUMBERS**

**ITALICIZED BLACK NUMBERS REFLECT OEM NUMBERS (USE FOR REFERENCE ONLY)*



Common Replacement Springs

Application Description	Part #
10 leaf, VRK bushing	50-123HD
12 leaf, VRK bushing	50-123

© 2018 Triangle Suspension Systems Inc.

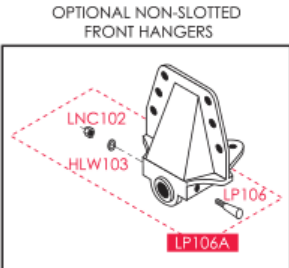
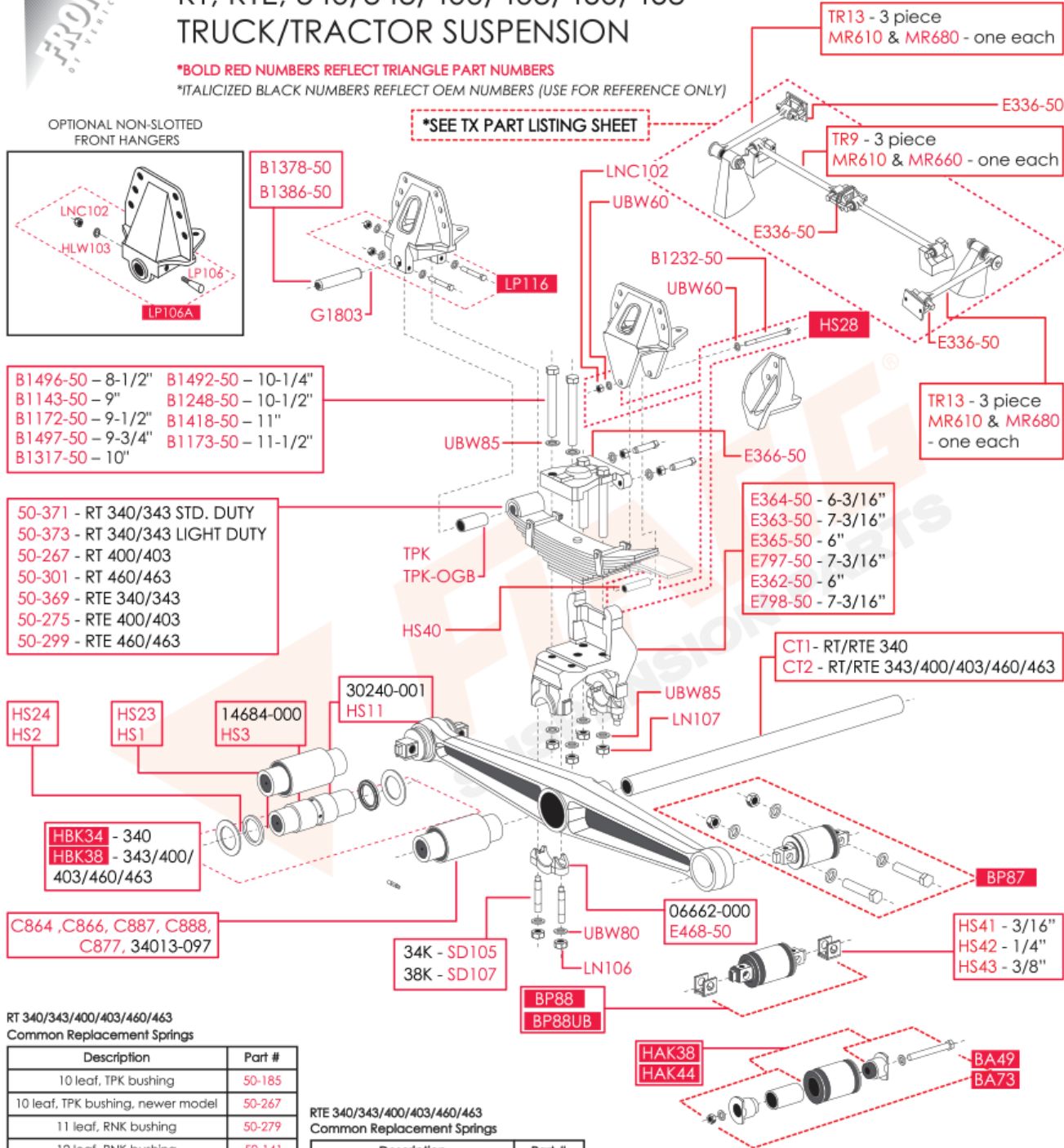
Note: Spring part numbers shown above are only the most common. This is not intended to be an all-encompassing list. Careful verification of all dimensions, capacity and specific application installation factors will determine the final selection of the replacement spring.

Hendrickson, RT/RTE, 340, 343, 400, 403, 460, 463, Truck/Tractor Suspension



HENDRICKSON RT, RTE, 340/343/400/403/460/463 TRUCK/TRACTOR SUSPENSION

***BOLD RED NUMBERS REFLECT TRIANGLE PART NUMBERS**
**ITALICIZED BLACK NUMBERS REFLECT OEM NUMBERS (USE FOR REFERENCE ONLY)*



- B1496-50 - 8-1/2"
- B1143-50 - 9"
- B1172-50 - 9-1/2"
- B1497-50 - 9-3/4"
- B1317-50 - 10"
- B1492-50 - 10-1/4"
- B1248-50 - 10-1/2"
- B1418-50 - 11"
- B1173-50 - 11-1/2"

- 50-371 - RT 340/343 STD. DUTY
- 50-373 - RT 340/343 LIGHT DUTY
- 50-267 - RT 400/403
- 50-301 - RT 460/463
- 50-369 - RTE 340/343
- 50-275 - RTE 400/403
- 50-299 - RTE 460/463

HS24
HS2

HS23
HS1

14684-000
HS3

30240-001
HS11

HBK34 - 340
HBK38 - 343/400/
403/460/463

C864, C866, C887, C888,
C877, 34013-097

34K - SD105
38K - SD107

BP88
BP88UB

HAK38
HAK44

HS41 - 3/16"
HS42 - 1/4"
HS43 - 3/8"

RT 340/343/400/403/460/463
Common Replacement Springs

Description	Part #
10 leaf, TPK bushing	50-185
10 leaf, TPK bushing, newer model	50-267
11 leaf, RNK bushing	50-279
12 leaf, RNK bushing	50-141
12 leaf, TPK bushing	50-285
12 leaf/pad, TPK bushing	50-215
12 leaf, TPK bushing, Heavy Duty	50-301HD
13 leaf, TPK bushing	50-301

RTE 340/343/400/403/460/463
Common Replacement Springs

Description	Part #
11 leaf, TPK bushing, Heavy Duty	50-299HD
12 leaf, TPK bushing	50-299
13 leaf, TPK bushing	50-275
14 leaf, TPK bushing	50-183

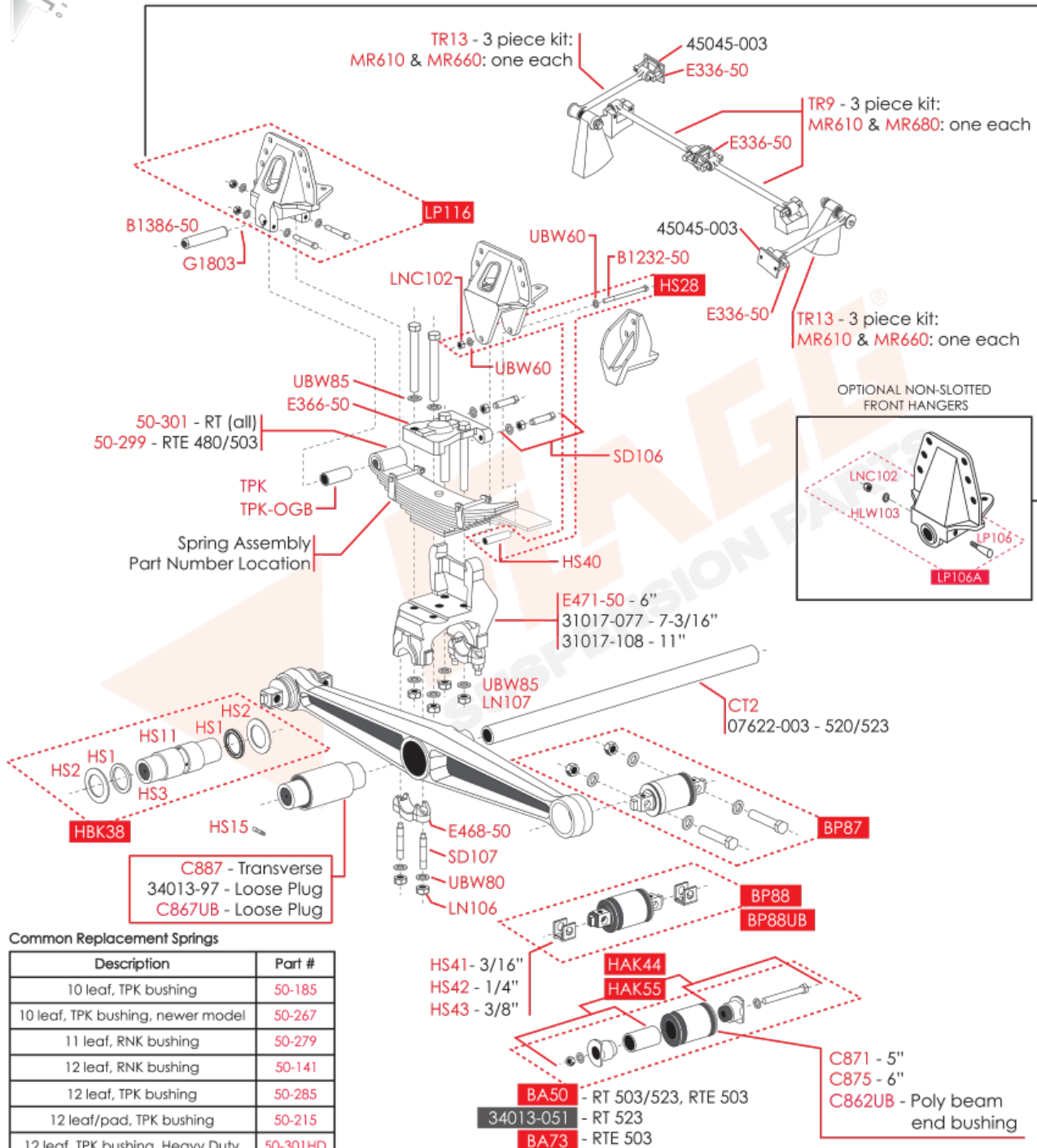
© 2019 Triangle Suspension Systems Inc.

Note: Spring part numbers shown above are only the most common. This is not intended to be an all-encompassing list. Careful verification of all dimensions, capacity and specific application installation factors will determine the final selection of the replacement spring.

Hendrickson, RT/RTE, 480/503/520/523, Truck/Tractor Suspension



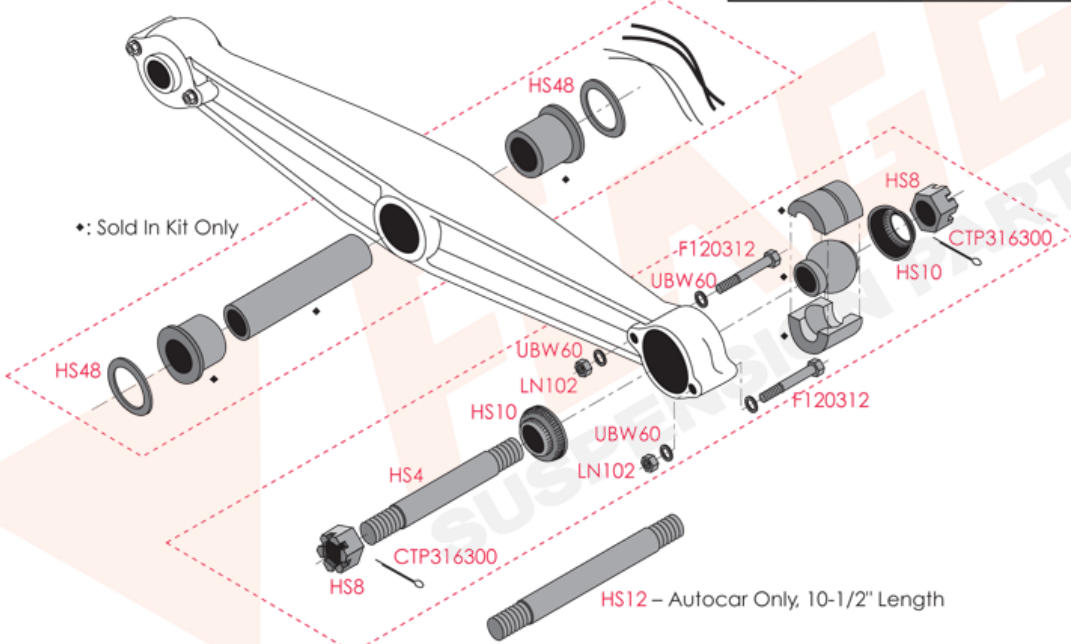
HENDRICKSON RT/RTE 480/503/520/523 TRUCK/TRACTOR SUSPENSION



Hendrickson, T 340/380/440/600/900 (Crane application), Truck/Tractor Suspension



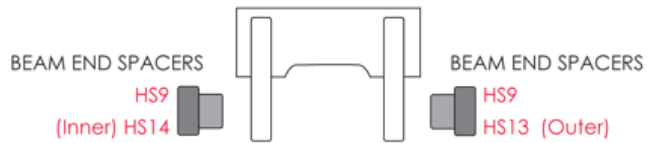
Series	Bushing I.D.	Lip Thickness	Use Cross Tube
HS29 - T340	3"	1/4"	CT1
HS30 - T380	3-1/2"	1/4"	CT2
34013-77 - T440	3-1/2"	1/8"	CT2
HS32 - T600	4"	1/4"	NONE USED SOLID SHAFT
HS33 - T600	4"	1/4"	CT3
HS34 - T900	4"	1/8"	NONE USED SOLID SHAFT
34013-81 - T900	4"	1/8"	CT3



♦: Sold In Kit Only

34013-39 - 340 Series
HEB1 - 380/900 Series
 BRONZE END KIT
 Contains Enough Parts
 for Two Equalizing Beams
 (4x Parts Shown)

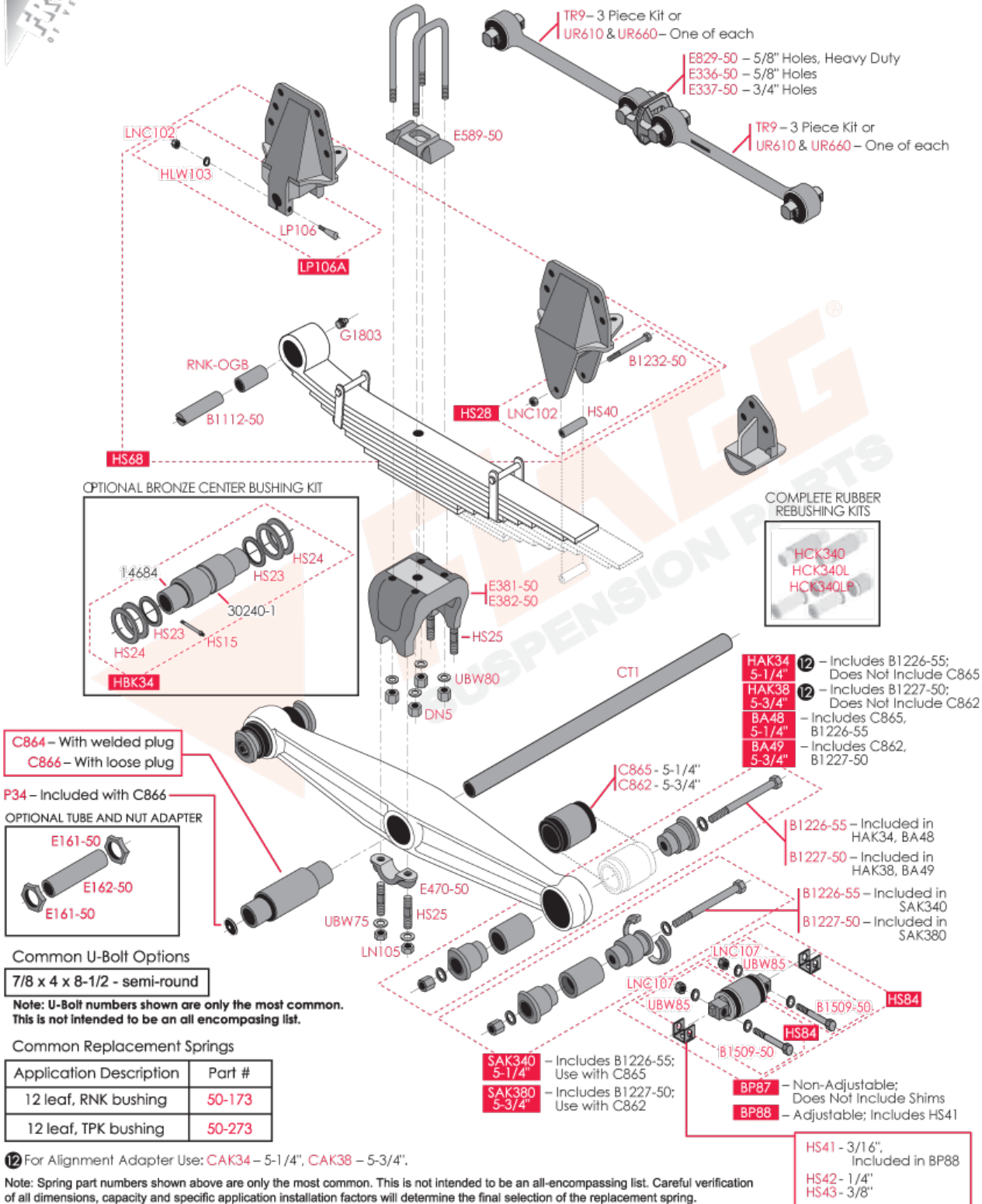
Beam Hanger Brackets for Drive Axles
 are Supplied by the Axle Manufacturer



Hendrickson, U/UE, RU/RUE 340 with 1-1/4" Spring Pins, Rear, Truck/Tractor Suspension



HENDRICKSON U/UE, RU/RUE 340 (REAR) - TRUCK/TRACTOR SUSPENSION

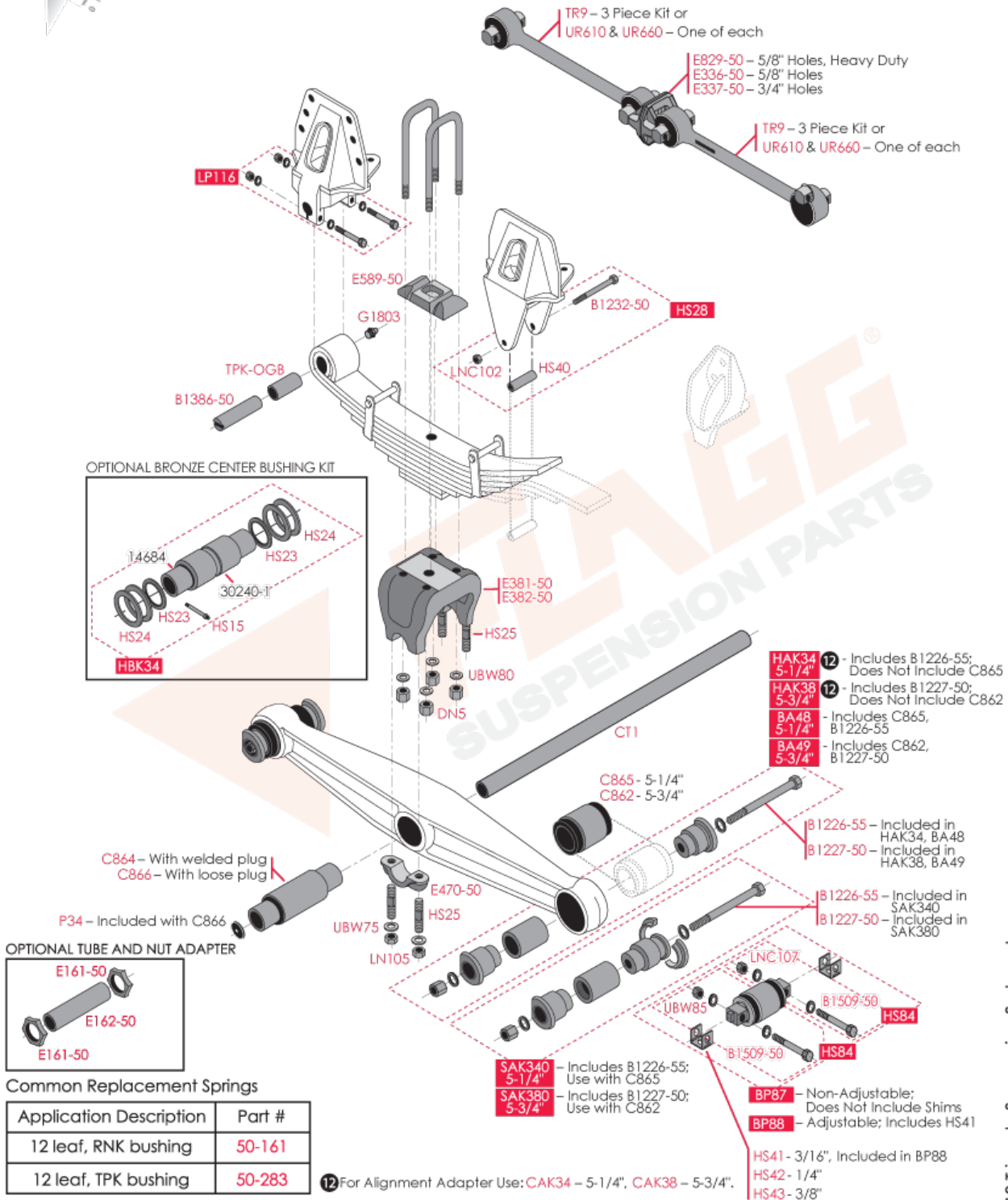


© 2013 Triangle Suspension Systems Inc.

Hendrickson, U2/UE2 340/380 with 1-3/8" Spring Pins, Rear, Truck/Tractor Suspension



HENDRICKSON U2/UE2 340 (REAR) TRUCK/TRACTOR SUSPENSION



© 2013 Triangle Suspension Systems Inc.

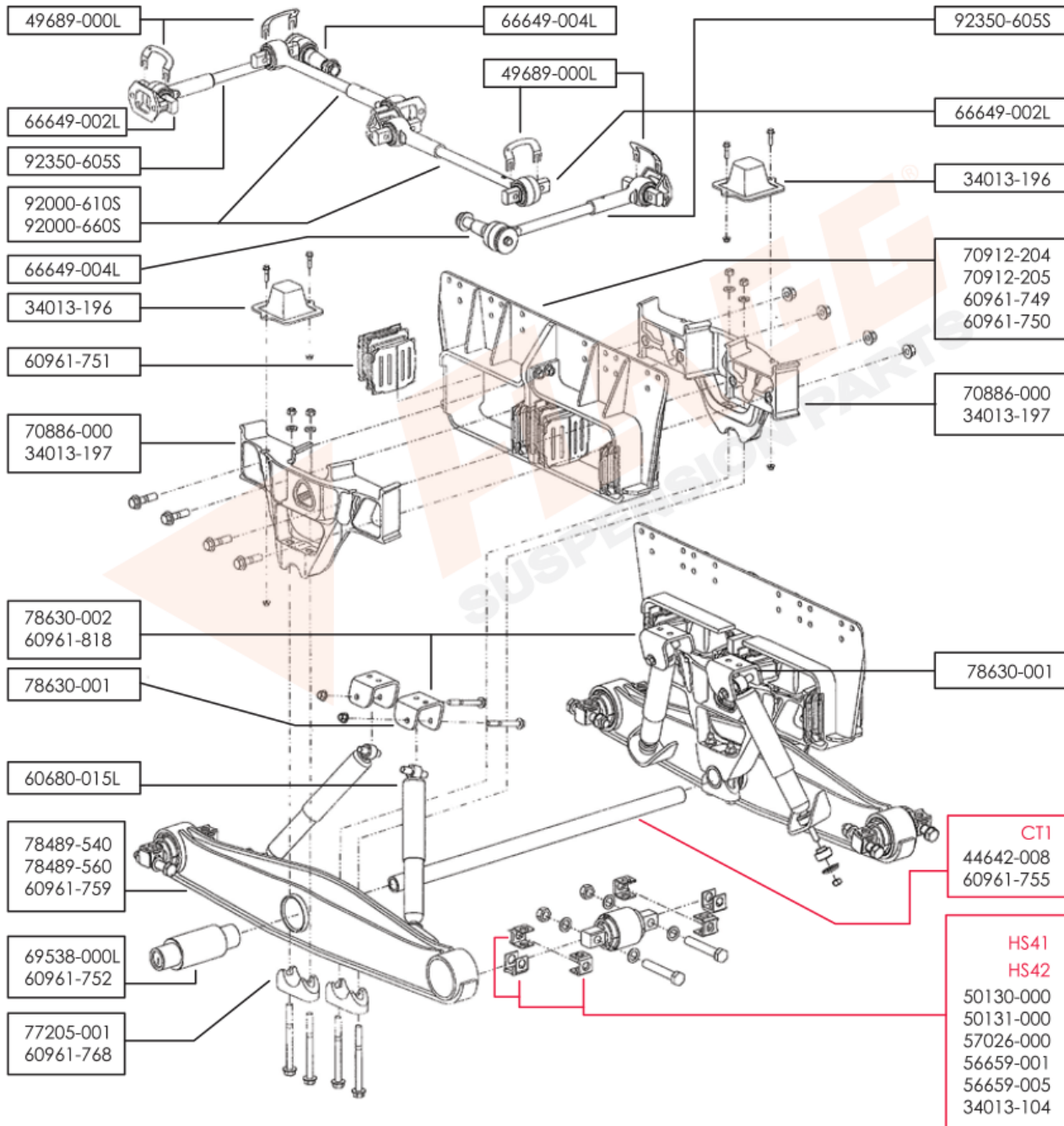
Hendrickson, ULTIMAAX for Kenworth Vehicles, Rear, Truck/Tractor Suspension



HENDRICKSON ULTIMAAX FOR KENWORTH VEHICLES TRUCK/TRACTOR SUSPENSION

***BOLD RED NUMBERS REFLECT TRIANGLE PART NUMBERS**

**ITALICIZED BLACK NUMBERS REFLECT OEM NUMBERS (USE FOR REFERENCE ONLY)*



© 2018 Triangle Suspension Systems Inc.

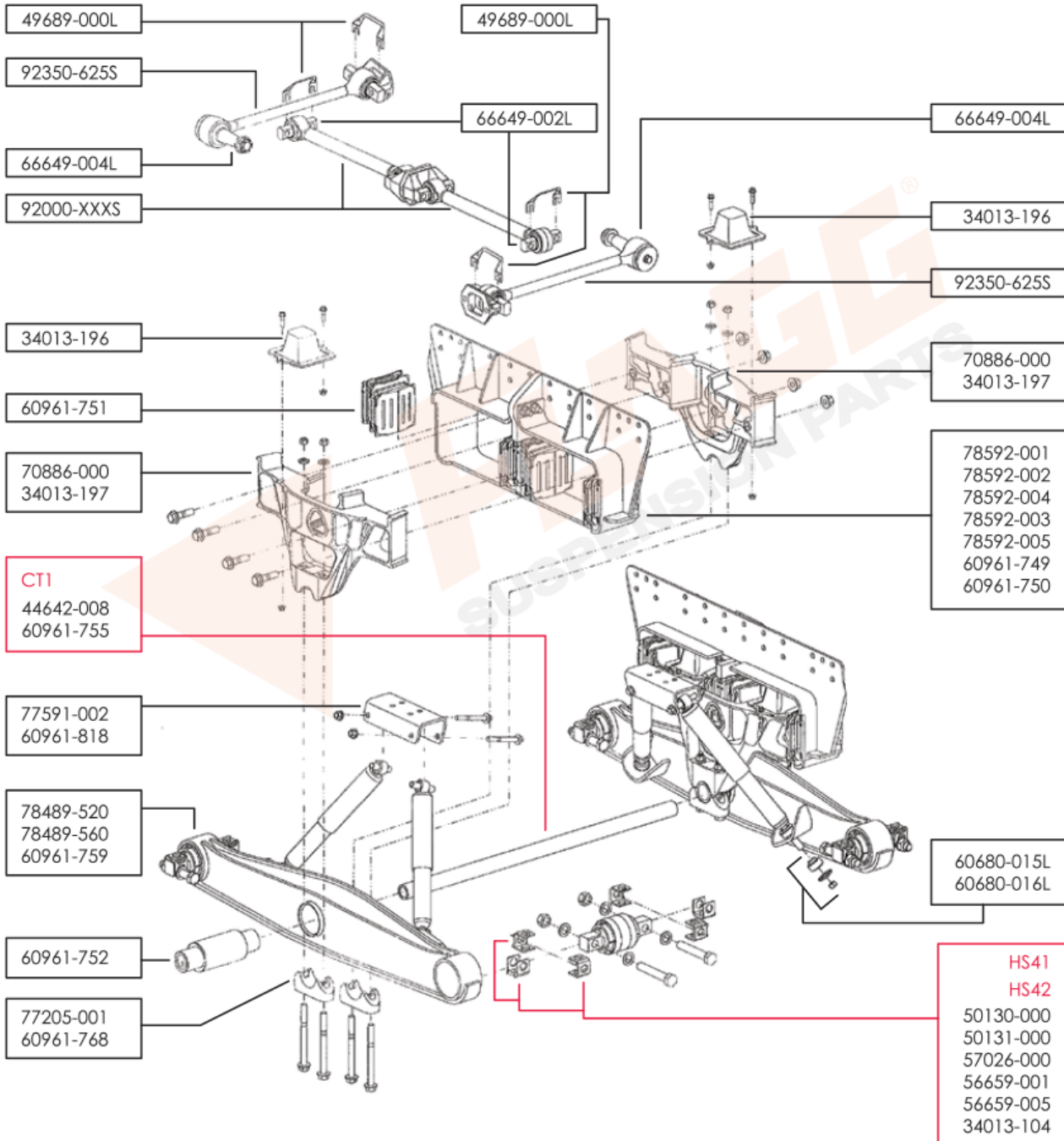
Hendrickson, ULTIMAAX for Western Star Vehicles, Rear, Truck/Tractor Suspension



HENDRICKSON ULTIMAAX FOR WESTERN STAR VEHICLES TRUCK/TRACTOR SUSPENSION

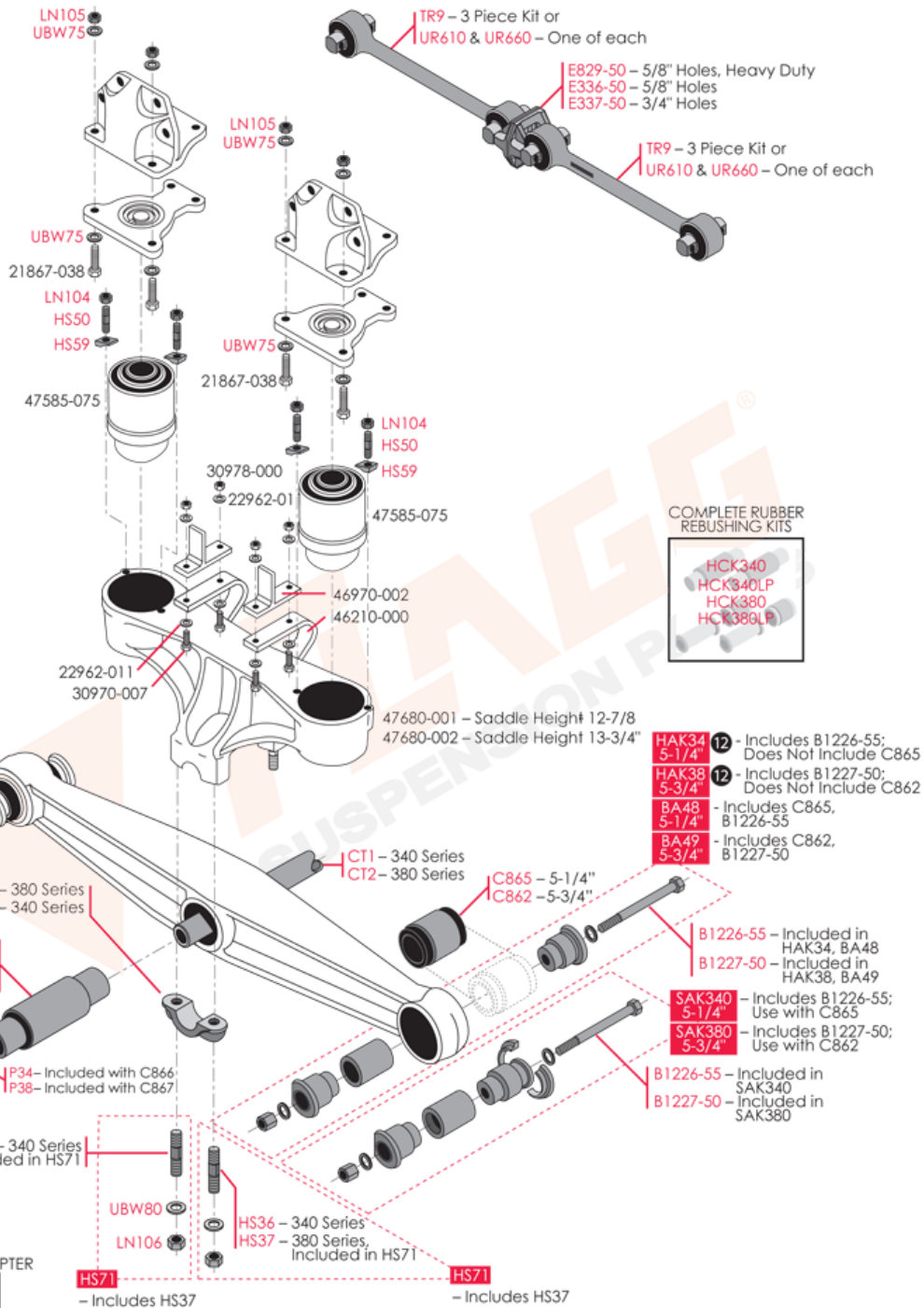
***BOLD RED NUMBERS REFLECT TRIANGLE PART NUMBERS**

**ITALICIZED BLACK NUMBERS REFLECT OEM NUMBERS (USE FOR REFERENCE ONLY)*

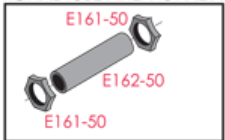


© 2018 Triangle Suspension Systems Inc.

Hendrickson, V4 340/380, Truck/Tractor Suspension



OPTIONAL TUBE AND NUT ADAPTER



12 For Alignment Adapter Use: **CAK34** – 5-1/4", **CAK38** – 5-3/4".

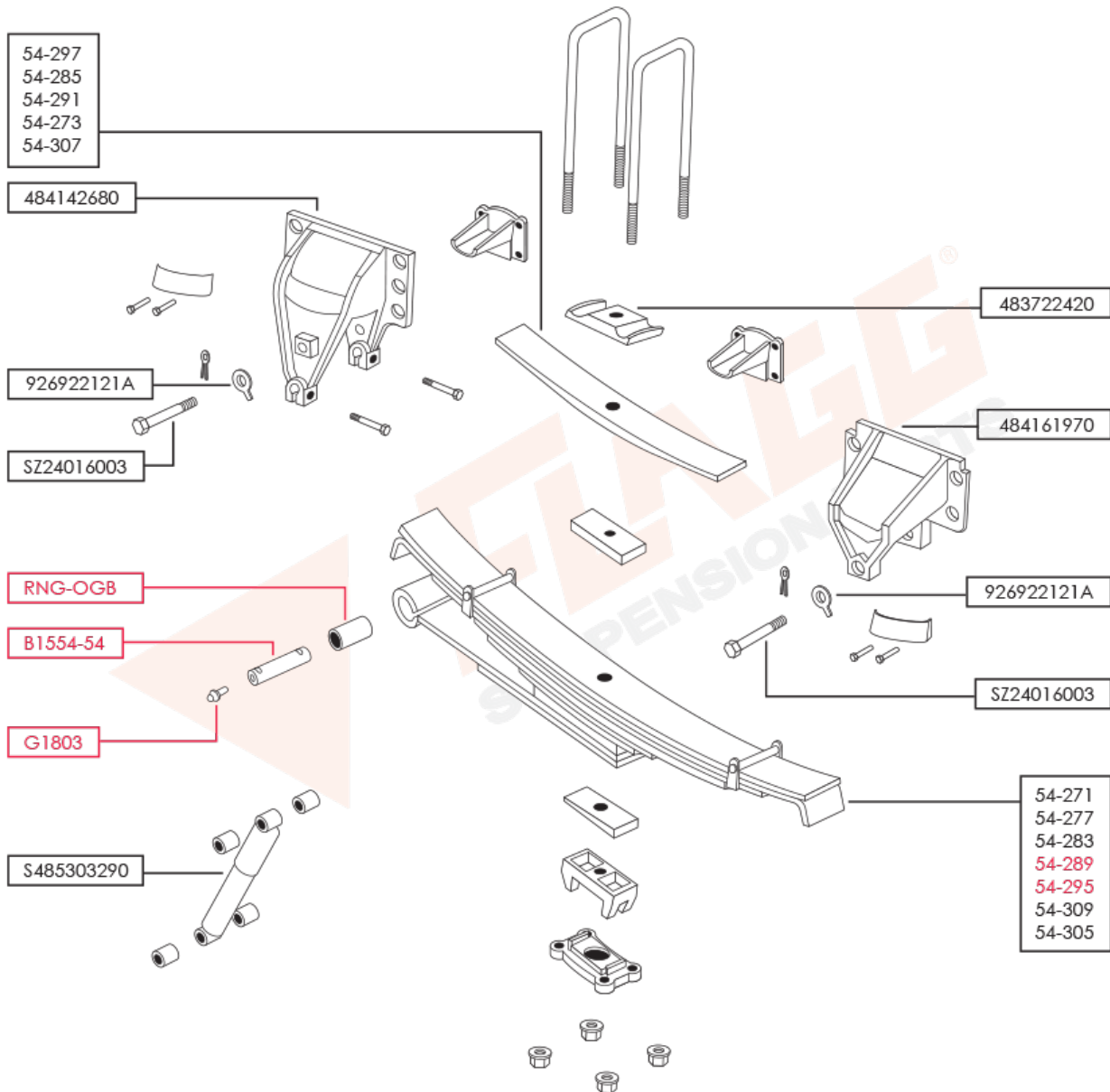
Hino Models 145, 165, 185, 238, 258, 268, 268A, 338, '05 - '09, Rear, Truck/Tractor Suspension



HINO REAR, MODELS 145, 165, 185, 238, 258, 268, 268A, 338, '05 - '09 TRUCK/TRACTOR SUSPENSION

***BOLD RED NUMBERS REFLECT TRIANGLE PART NUMBERS**

**ITALICIZED BLACK NUMBERS REFLECT OEM NUMBERS (USE FOR REFERENCE ONLY)*



© 2018 Triangle Suspension Systems Inc.

Suspension Application Guide

Table of Contents by Vehicle Application Type

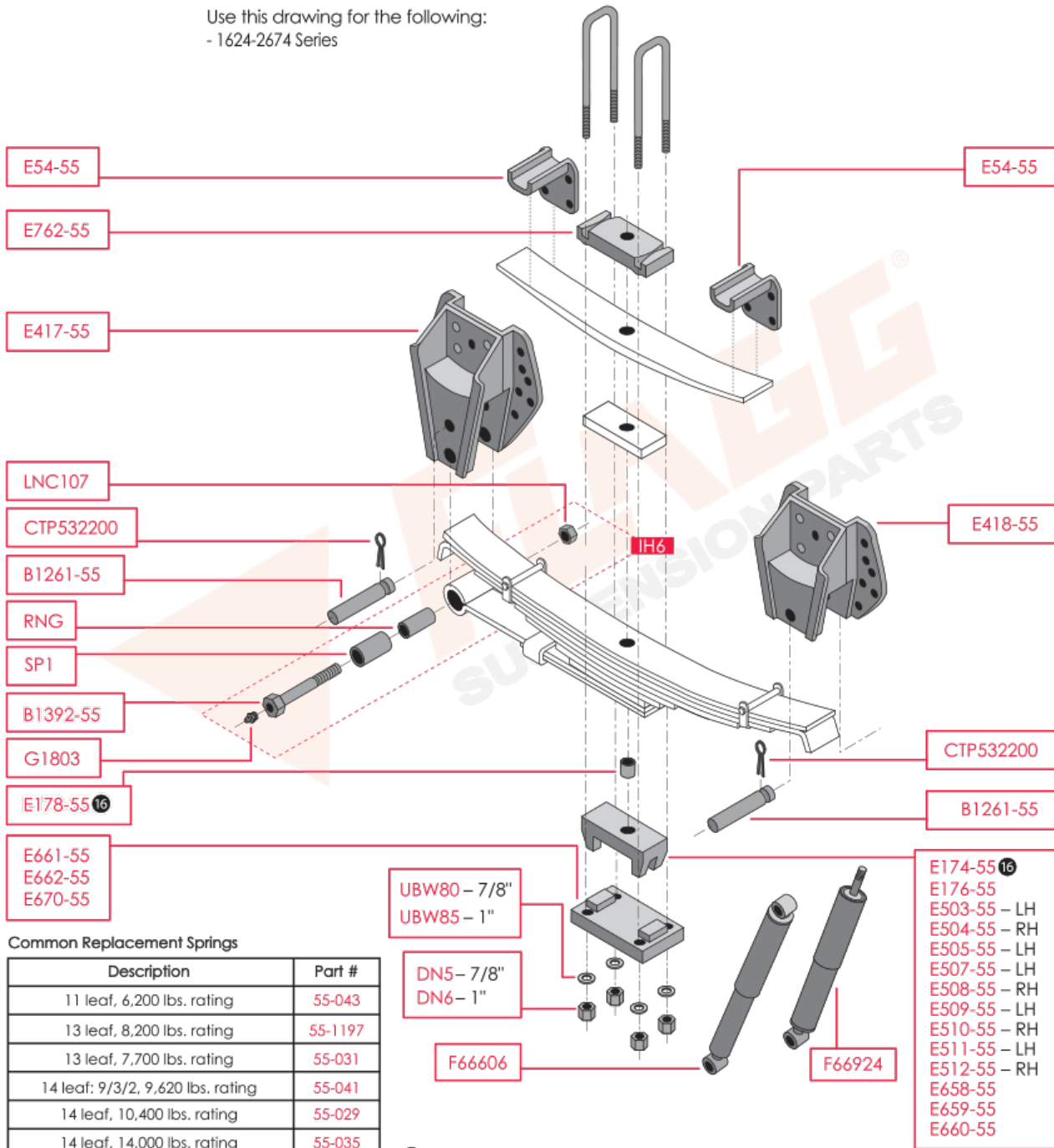
~~ International Truck/Tractor Suspension ~~	Page
International, 3K/4K/7K/8K S Series, Models with Stamped Hangers, Rear	235
International, 4-Spring Corporate, with Cast Hangers, Rear	236
International, 5000 Series, Models with Single Spring Eye (Hook Leaf), Front	237
International, 5000 Series, Models with Two Spring Eyes, Front	238
International, 8000, 9000 Series, Single Axle with 3-1/2" wide Springs, Rear	239
International, 9000 Series, Rear	240
International, Airtex, Models 9200/9400, New Engine Configuration (NEC) with Steertek Axle, Vehicles built after September 2006, Front	241
International, Airtex, prior to New Engine Configuration (PEC), with Steertek Axle, Vehicles built prior to September 2006, Front	243
International, Eagle 9000, 91/92/93/94/96/97/9900, with Rubber Bushings, Front	245
International, Eagle, 9000 Series, Threaded Spring Pins, Front	246
International, Lonestar & Prostar, Front	247
International, Models 2500-2600, 8000-8300, 9000-9900 Series, 4" wide Springs with Threaded Bushings, Front	248
International, Models 2500-2600, 8000-8300, 9000-9900, 4" wide springs with 1-3/8" Threaded Spring Pins, Front	249
International, Models 3000, 4000, 7000, 8000, MD, HD, S Series, Models with Torque arm Springs and Cast Hangers, Rear	250
International, Models 3200 - 8600, Prostar, Rear	251
International, Models 3200-8500 with 3" wide Springs, Ford F650/F750 with 4" wide Springs, with 3/4" Bolts, Front	252
International, Models 73-7700, 4WD, 16K-20K, with 1.0" RB's, Front	253
International, Models Cargostar, Fleetstar, Loadstar, Single Axle with Torque arm Springs, Rear	254
International, Models S, MD, HD with Cast and Fabricated Frame Hangers, Rear	255
International, New Corporate Air IROS Suspension (Ford Applications Also), Rear	256
International, Paystar, 5000 Series, with Single Eye Spring, Front	257
International, S Series, Models S 1800 - S 2600 with Cast Hangers and 1-1/4" Spring Pins, Front	258
International, S Series, Models with Cast Hangers and 1" Pins, Front	259
International, S1600/S2100, 3000, 4000, 7000, Medium Duty Series, Front	260
International, S1800-S2600 Series, Heavy Duty with 1" Pins and Cast Frame Hangers, Front	261
International, S1800-S2600 Series, Heavy Duty with 1-1/4" Pins and Cast Frame Hangers, Front	262
International, Z Beam, Corporate Air Spring, Old Style - Rear	263

International, 3K/4K/7K/8K S Series, Models with Stamped Hangers, Rear, Truck/Tractor Suspension



INTERNATIONAL 3000/4000/7000/8000 S SERIES, STAMPED HANGERS TRUCK/TRACTOR SUSPENSION

***BOLD RED NUMBERS REFLECT TRIANGLE PART NUMBERS**
 **ITALICIZED BLACK NUMBERS REFLECT OEM NUMBERS (USE FOR REFERENCE ONLY)*
 Use this drawing for the following:
 - 1624-2674 Series



Common Replacement Springs

Description	Part #
11 leaf, 6,200 lbs. rating	55-043
13 leaf, 8,200 lbs. rating	55-1197
13 leaf, 7,700 lbs. rating	55-031
14 leaf: 9/3/2, 9,620 lbs. rating	55-041
14 leaf, 10,400 lbs. rating	55-029
14 leaf, 14,000 lbs. rating	55-035
14 leaf, Heavy Duty, 17,800 lbs. rating	55-035HD

¹⁶ Use E178-55 Dowel Pin with E174-55 Spring Seat Only.
 E178-55 Dowel Pin reduces Center Hole Diameter to 5/8".

Note: Spring part numbers shown above are only the most common. This is not intended to be an all-encompassing list. Careful verification of all dimensions, capacity and specific application installation factors will determine the final selection of the replacement spring. © 2018 Triangle Suspension Systems Inc.

International, 4-Spring Corporate, Cast Hangers, Rear, Truck/Tractor Suspension



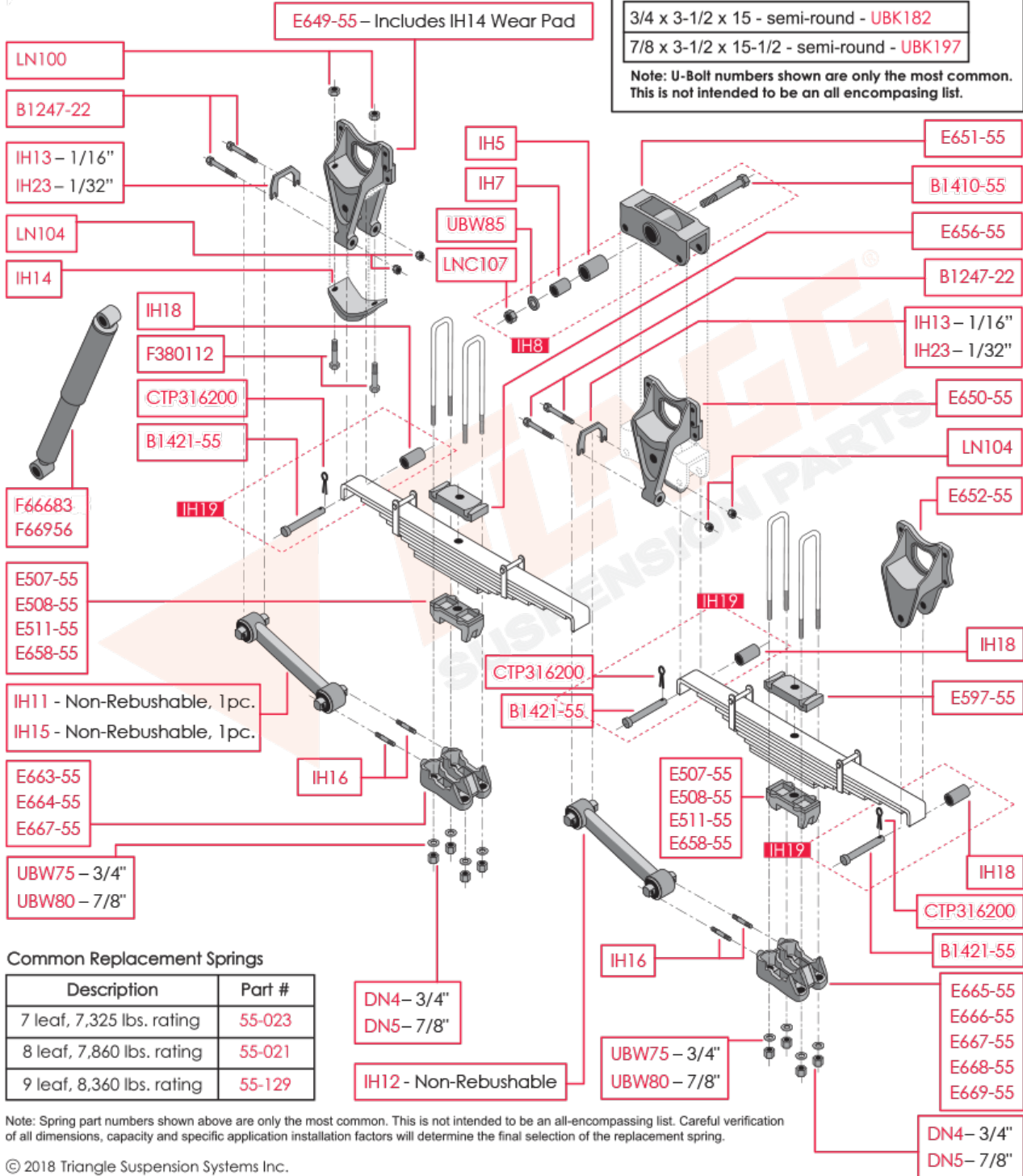
INTERNATIONAL/NAVISTAR 4-SPRING CORPORATE (REAR) TRUCK/TRACTOR SUSPENSION

*BOLD RED NUMBERS REFLECT TRIANGLE PART NUMBERS
*ITALICIZED BLACK NUMBERS REFLECT OEM NUMBERS (USE FOR REFERENCE ONLY)

Common U-Bolt Options

3/4 x 3-1/2 x 15 - semi-round - UBK182
7/8 x 3-1/2 x 15-1/2 - semi-round - UBK197

Note: U-Bolt numbers shown are only the most common. This is not intended to be an all encompassing list.



Common Replacement Springs

Description	Part #
7 leaf, 7,325 lbs. rating	55-023
8 leaf, 7,860 lbs. rating	55-021
9 leaf, 8,360 lbs. rating	55-129

Note: Spring part numbers shown above are only the most common. This is not intended to be an all-encompassing list. Careful verification of all dimensions, capacity and specific application installation factors will determine the final selection of the replacement spring.

International, 5000 Series, Models with Single Spring Eye (Hook Leaf), Front, Truck/Tractor Suspension



INTERNATIONAL 5000 SERIES, FRONT W/SINGLE EYE SPRING TRUCK/TRACTOR SUSPENSION

Use this drawing for the following:

- 5000 Series
- COF-5870 Series with Dual Front Axle

***BOLD RED NUMBERS REFLECT TRIANGLE PART NUMBERS**

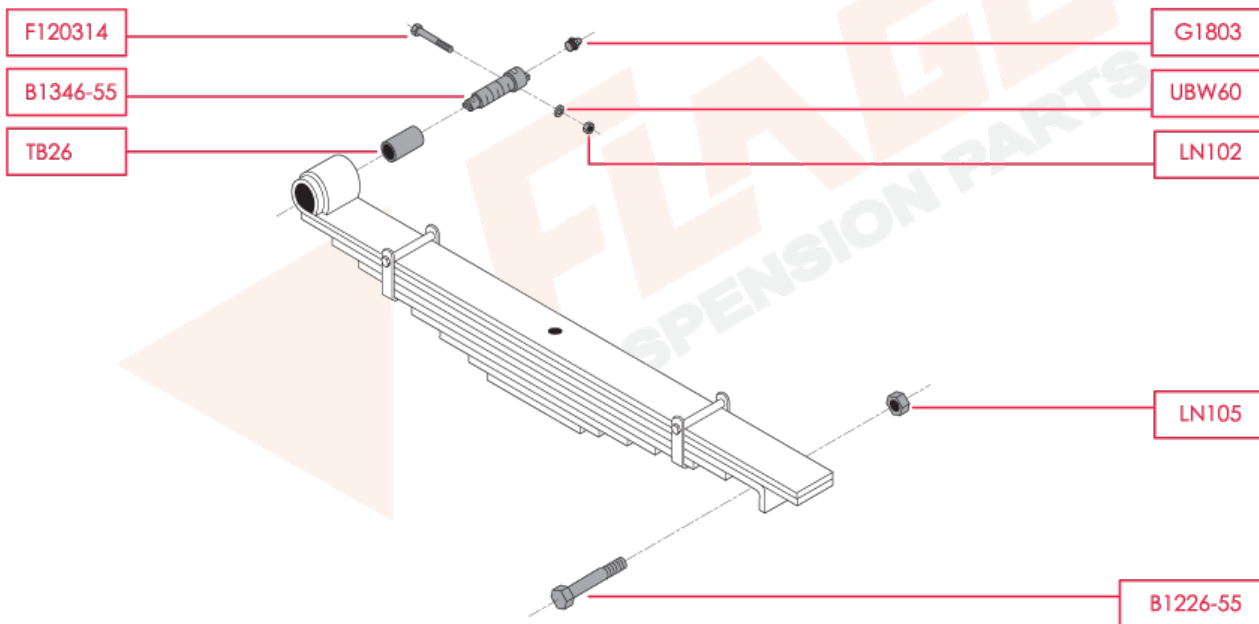
**ITALICIZED BLACK NUMBERS REFLECT OEM NUMBERS (USE FOR REFERENCE ONLY)*

Common U-Bolt Options

1 x 4 x 10 - semi-round

1 x 4 x 12 - semi-round

**Note: U-Bolt numbers shown are only the most common.
This is not intended to be an all encompassing list.**



Common Replacement Springs

Description	Part #
8 leaf	55-814
9 leaf	55-966
11 leaf	55-966HD

© 2015 Triangle Suspension Systems Inc.

Note: Spring part numbers shown above are only the most common. This is not intended to be an all-encompassing list. Careful verification of all dimensions, capacity and specific application installation factors will determine the final selection of the replacement spring.

International, 5000 Series, Models with Two Spring Eyes, Front, Truck/Tractor Suspension



INTERNATIONAL 5000 SERIES, FRONT W/TWO EYE SPRING TRUCK/TRACTOR SUSPENSION

Use this drawing for the following:

- 5000 Series
- COF-5870 Series with Dual Front Axle

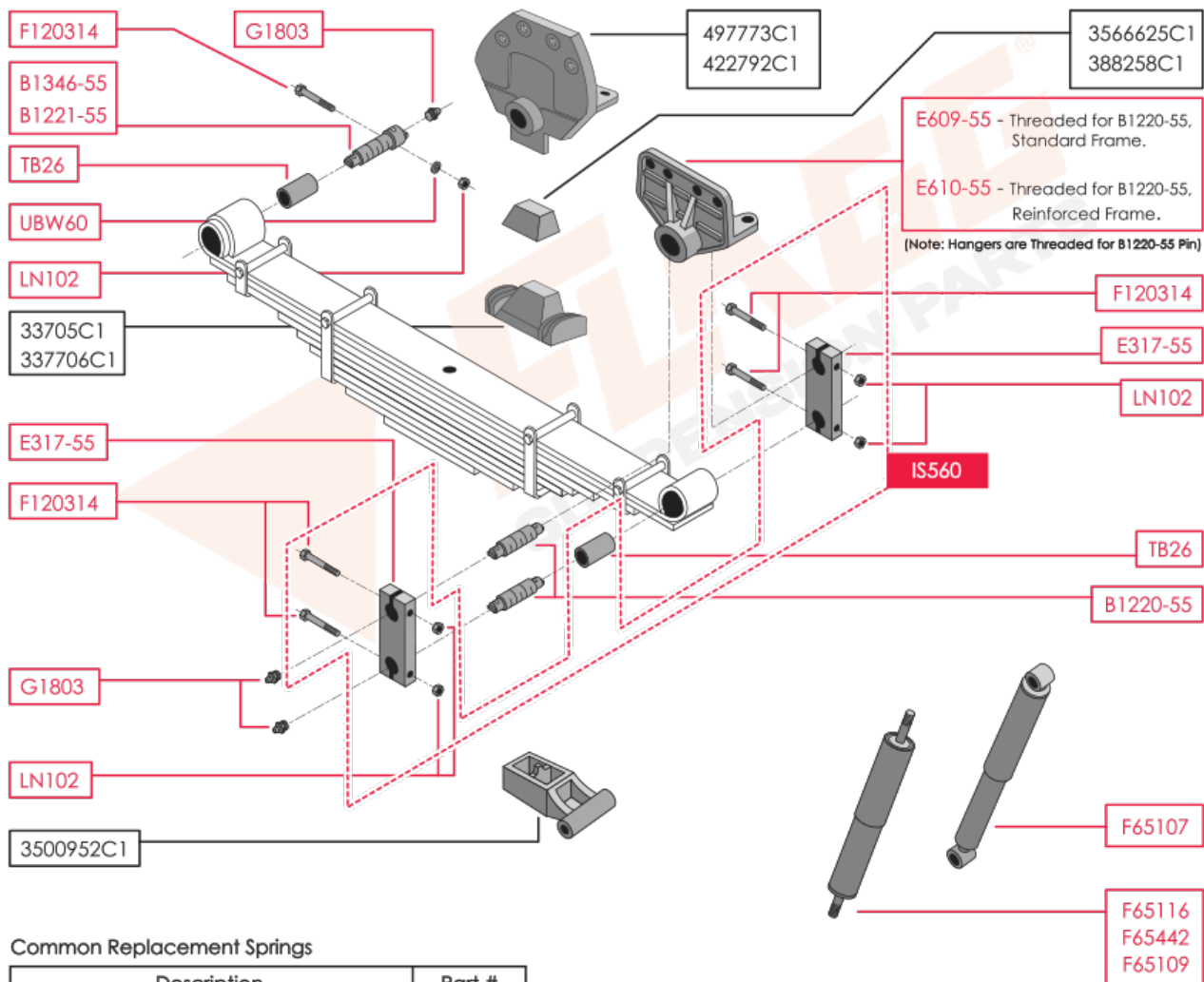
Common U-Bolt Options

1 x 4 x 10 - semi-round
1 x 4 x 12 - semi-round

Note: U-Bolt numbers shown are only the most common. This is not intended to be an all encompassing list.

*BOLD RED NUMBERS REFLECT TRIANGLE PART NUMBERS

*ITALICIZED BLACK NUMBERS REFLECT OEM NUMBERS (USE FOR REFERENCE ONLY)



Common Replacement Springs

Description	Part #
10 leaf, TB26 both ends, 9,000 lbs. rating	55-840
10 leaf, TB26 both ends, 11,500 lbs. rating	55-976

Note: Spring part numbers shown above are only the most common. This is not intended to be an all-encompassing list. Careful verification of all dimensions, capacity and specific application installation factors will determine the final selection of the replacement spring.

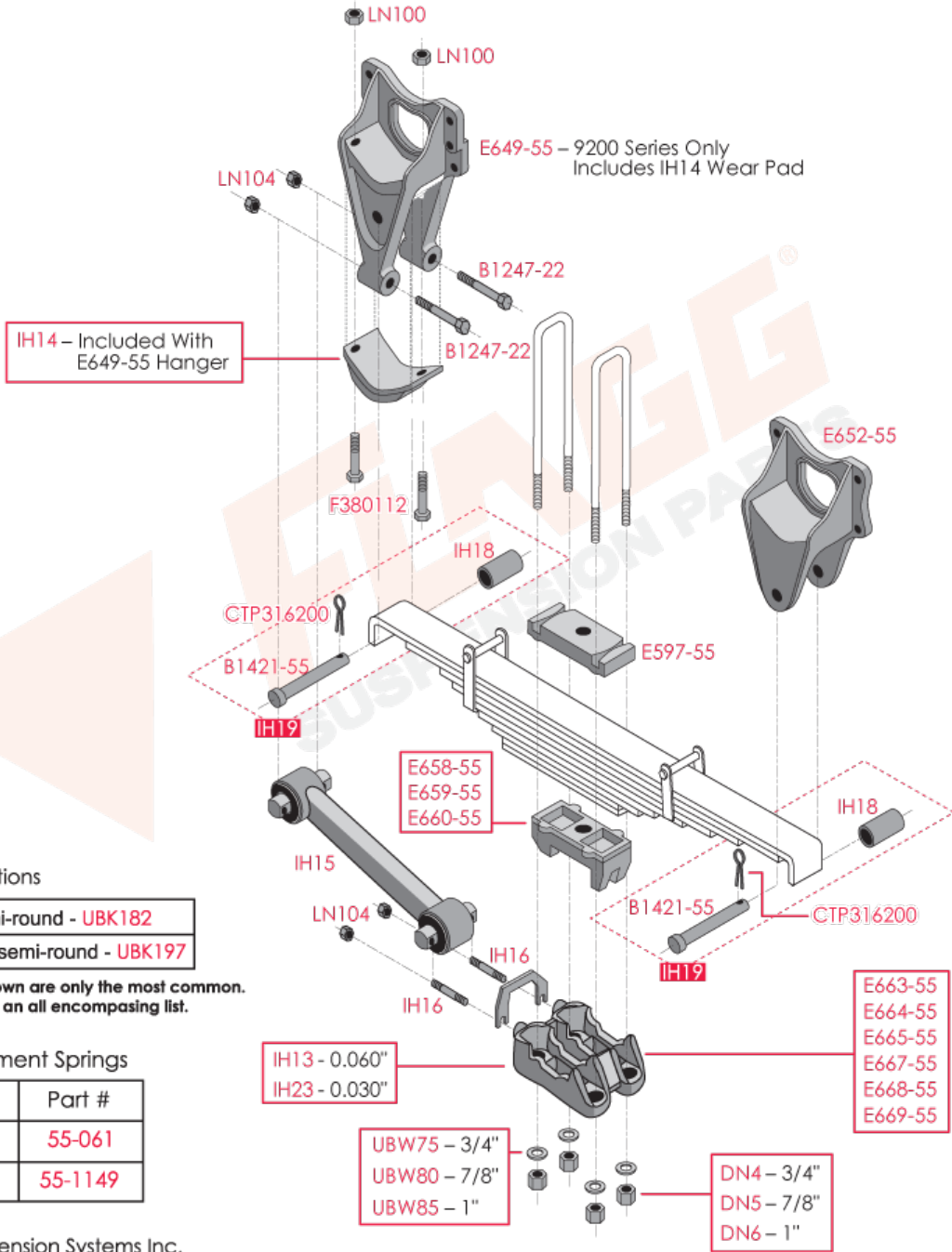
© 2018 Triangle Suspension Systems Inc.

International, 8000, 9000 Series, Single Axle with 3-1/2" wide Springs, Rear, Truck/Tractor Suspension



INTERNATIONAL 8000/9000 SERIES, REAR, CORPORATE SINGLE AXLE TRUCK/TRACTOR SUSPENSION

Use this drawing for the following:
 - 8100 Series
 - 9200 Series Aerodynamic Tractor



Common U-Bolt Options

3/4 x 3-1/2 x 15 - semi-round - UBK182
7/8 x 3-1/2 x 15-1/2 - semi-round - UBK197

Note: U-Bolt numbers shown are only the most common. This is not intended to be an all encompassing list.

Common Replacement Springs

Description	Part #
9 leaf	55-061
10 leaf	55-1149

© 2013 Triangle Suspension Systems Inc.

Note: Spring part numbers shown above are only the most common. This is not intended to be an all-encompassing list. Careful verification of all dimensions, capacity and specific application installation factors will determine the final selection of the replacement spring.

International, 9000 Series, Rear, Truck/Tractor Suspension

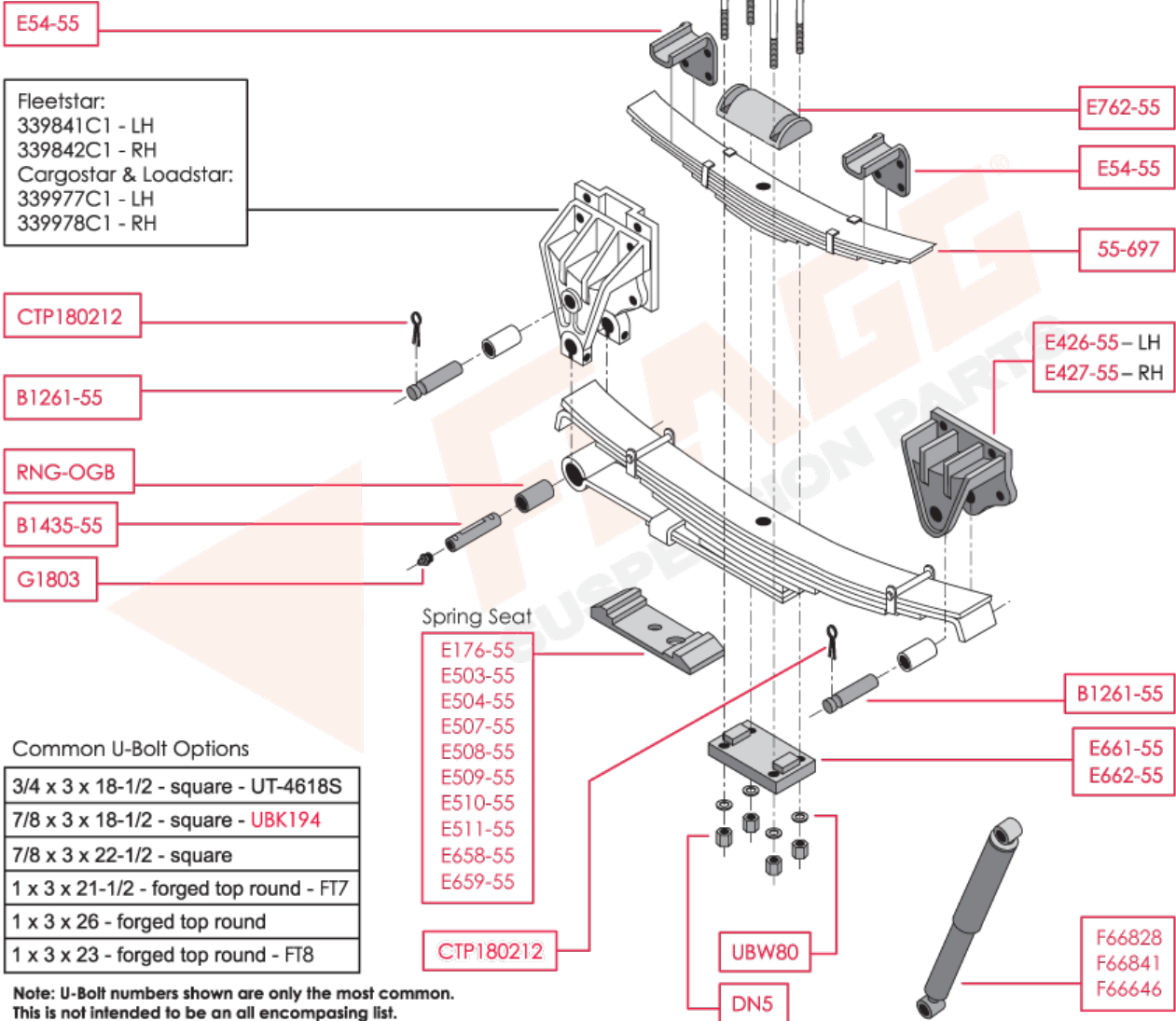


INTERNATIONAL 9000 SERIES, REAR, SINGLE AXLE TRUCK/TRACTOR SUSPENSION

***BOLD RED NUMBERS REFLECT TRIANGLE PART NUMBERS**

**ITALICIZED BLACK NUMBERS REFLECT OEM NUMBERS (USE FOR REFERENCE ONLY)*

Use this drawing for the following:
- 9200 Series



Common U-Bolt Options

3/4 x 3 x 18-1/2 - square - UT-4618S
7/8 x 3 x 18-1/2 - square - UBK194
7/8 x 3 x 22-1/2 - square
1 x 3 x 21-1/2 - forged top round - FT7
1 x 3 x 26 - forged top round
1 x 3 x 23 - forged top round - FT8

Note: U-Bolt numbers shown are only the most common.
This is not intended to be an all encompassing list.

Common Replacement Springs

Description	Part #
12 leaf, RNG bushing, 25-1/2" C to C radius leaf length	55-729
13 leaf, RNG bushing, 25-1/2" C to C radius leaf length	55-759

© 2015 Triangle Suspension Systems Inc.

Note: Spring part numbers shown above are only the most common. This is not intended to be an all-encompassing list. Careful verification of all dimensions, capacity and specific application installation factors will determine the final selection of the replacement spring.

International, Airtek, Models 9200/9400, New Engine Configuration (NEC) with Steertek Axle, Vehicles built after September 2006, Front, Truck/Tractor Suspension

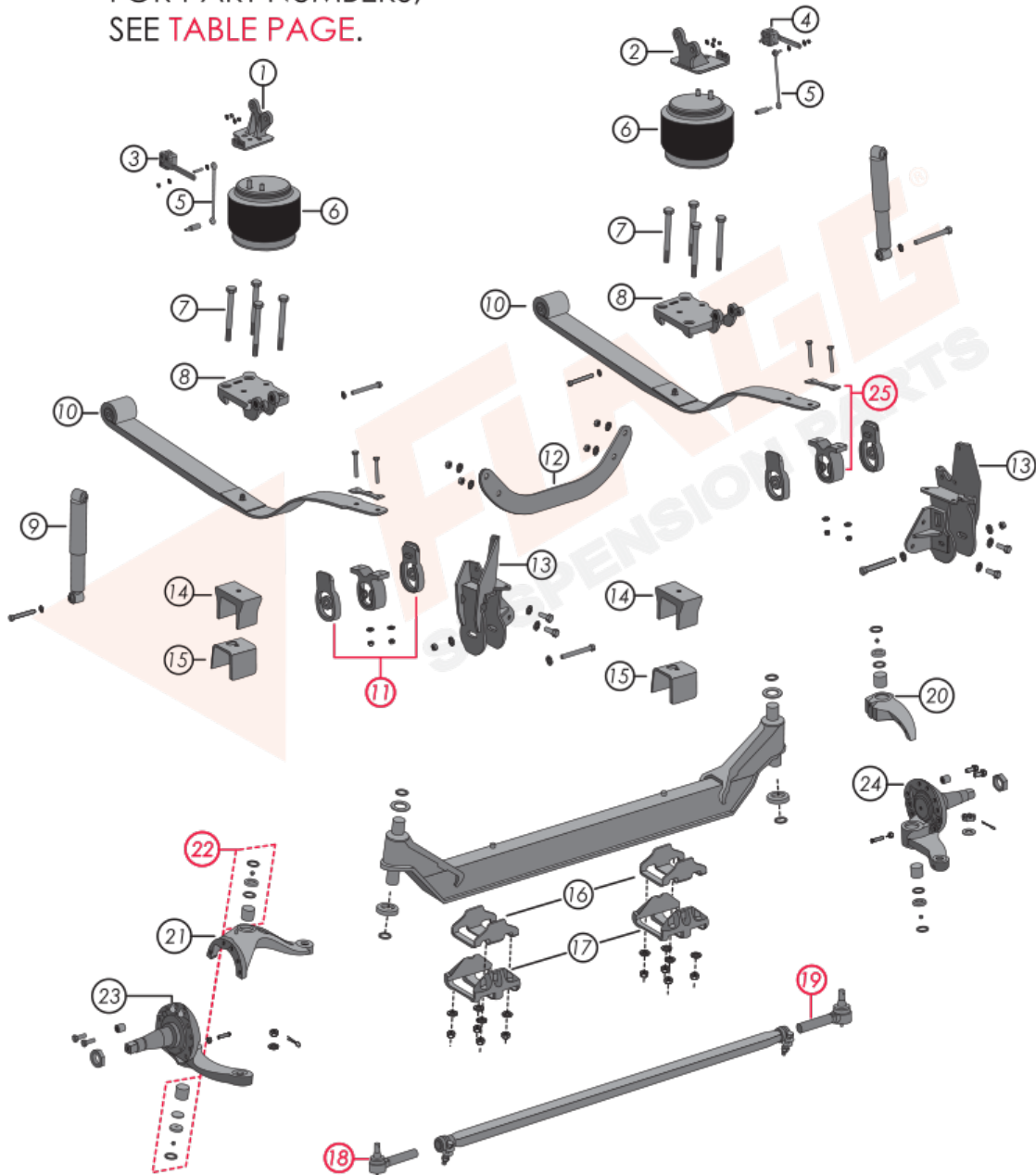


**INTERNATIONAL
AIRTEK - MODELS 9200/9400
NEW ENGINE CONFIGURATION (NEC)
W/STEERTEK AXLE, VEHICLES BUILT AFTER SEPTEMBER 2006
TRUCK/TRACTOR SUSPENSION**

***BOLD RED NUMBERS REFLECT TRIANGLE PART NUMBERS**

**ITALICIZED BLACK NUMBERS REFLECT OEM NUMBERS (USE FOR REFERENCE ONLY)*

FOR PART NUMBERS,
SEE **TABLE PAGE**.



International, Airtek, Models 9200/9400, New Engine Configuration (NEC) with Steertek Axle, Vehicles built after September 2006, TABLE PAGE

INTERNATIONAL

AIRTEK - MODELS 9200/9400

NEW ENGINE CONFIGURATION (NEC)

W/STEERTEK AXLE, VEHICLES BUILT AFTER SEPTEMBER 2006

TRUCK/TRACTOR SUSPENSION

***BOLD RED NUMBERS REFLECT TRIANGLE PART NUMBERS**

**ITALICIZED BLACK NUMBERS REFLECT OEM NUMBERS (USE FOR REFERENCE ONLY)*

① 64583-000 66775-000 AIR SPRING BRACKET	⑮ 65757-000 TOP AXLE WRAP LINER
② 64586-000 66776-000 AIR SPRING BRACKET	⑯ 59845-000 BOTTOM AXLE WRAP LINER
③ 59935-011 LH HEIGHT CONTROL VALVE	⑰ 64722-003 BOTTOM AXLE WRAP
④ 59935-018 RH HEIGHT CONTROL VALVE	⑱ ES3177L TIE ROD END, LH
⑤ 59428-004 HEIGHT CONTROL VALVE LINKAGE	⑲ ES3176R TIE ROD END, RH
⑥ 65790-002 AIR SPRING	⑳ 60904-034 UPPER STEERING KNUCKLE ASSEMBLY, RH
⑦ 3/4" - 10" X 8.5" HEX BOLT	㉑ 60903-041 UPPER STEERING KNUCKLE ASSEMBLY, LH
⑧ 68318-001, LH 68318-002, RH TOP PAD	㉒ KING PIN BUSHING KITS HS116K LH, HS117K RH, HS118K BOTH SIDES KING PIN BUSHING KITS
⑨ 65992-001 SLEEPER 65992-002 DAY CAB SHOCK ABSORBER	㉓ 58900-071, LONG WHEEL BASE: 250 ACKERMAN 58900-073, SHORT WHEEL BASE: 200 ACKERMAN 58900-075, BELOW 200" WHEEL BASE LOWER STEERING KNUCKLE ASSEMBLY, LH
⑩ 664200-000 LEAF SPRING ASSEMBLY WITH BUSHING	㉔ 58900-072, LONG WHEEL BASE: 250 ACKERMAN 58900-074, SHORT WHEEL BASE: 200 ACKERMAN 58900-076, BELOW 200" WHEEL BASE LOWER STEERING KNUCKLE ASSEMBLY, RH
⑪ HS119K HANGER CLAMP GROUP KIT	㉕ HS115K SPRING MOUNTING SERVICE KIT
⑫ 66019-000 66419-000 BELLY BAND	
⑬ 68317-001 LH 68317-002 RH REAR HANGER	
⑭ 59952-023 TOP AXLE WRAP	

International, Airtek, prior to New Engine Configuration (PEC), with Steertek Axle, Vehicles built prior to September 2006, Front, Truck/Tractor Suspension

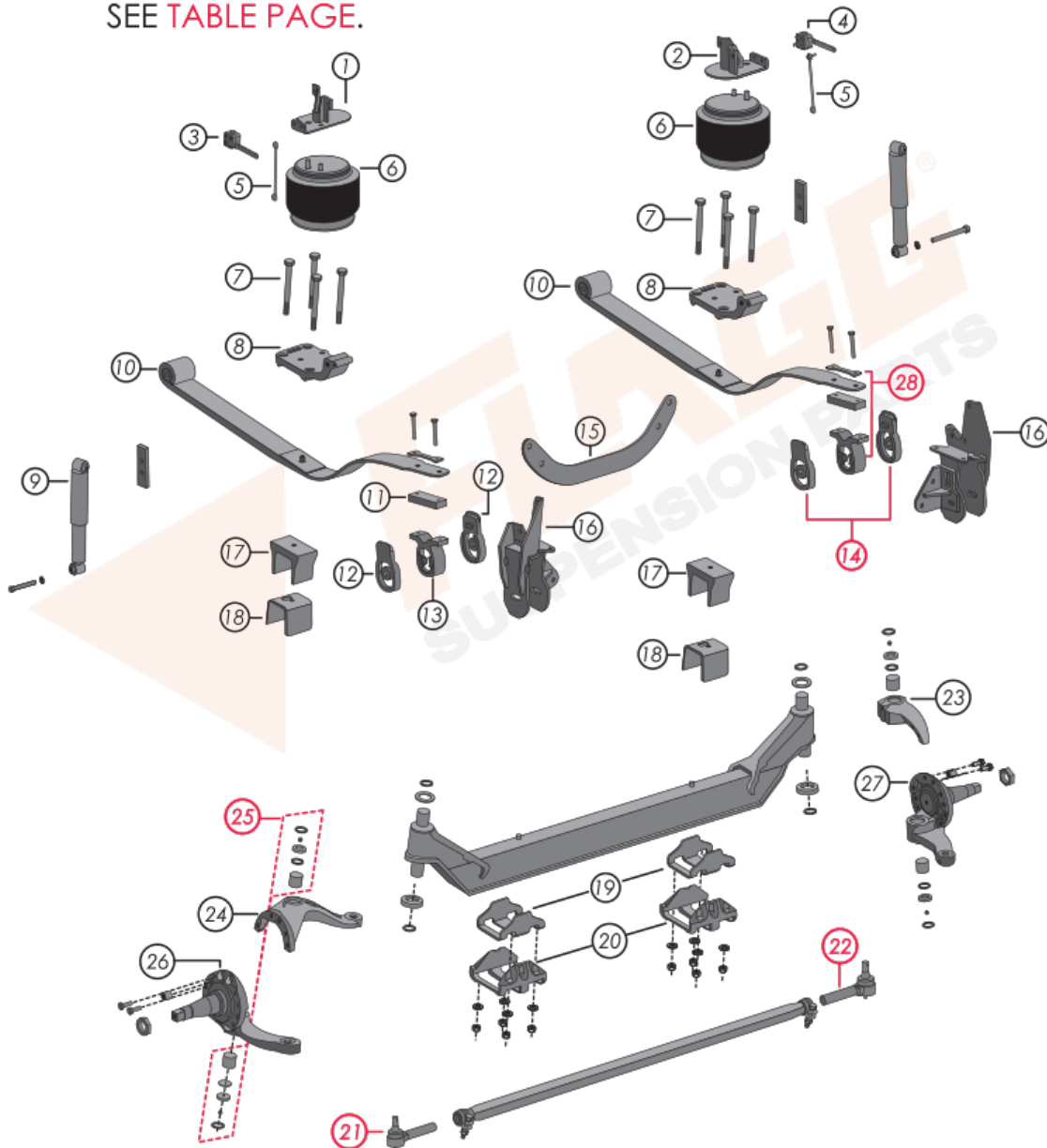


**INTERNATIONAL
AIRTEK
PRIOR TO NEW ENGINE CONFIGURATION (PEC)
W/STEERTEK AXLE, VEHICLES BUILT PRIOR TO SEPTEMBER 2006
TRUCK/TRACTOR SUSPENSION**

***BOLD RED NUMBERS REFLECT TRIANGLE PART NUMBERS**

**ITALICIZED BLACK NUMBERS REFLECT OEM NUMBERS (USE FOR REFERENCE ONLY)*

FOR PART NUMBERS,
SEE **TABLE PAGE**.



International, Airtek, prior to New Engine Configuration (PEC), with Steertek Axle, Vehicles built prior to September 2006, TABLE PAGE

INTERNATIONAL

AIRTEK

PRIOR TO NEW ENGINE CONFIGURATION (PEC)

W/STEEERTEK AXLE, VEHICLES BUILT PRIOR TO SEPTEMBER 2006

TRUCK/TRACTOR SUSPENSION

① 64583-000 66775-000 AIR SPRING BRACKET	⑮ 66019-000 66419-000 BELLY BAND
② 64586-000 66776-000 AIR SPRING BRACKET	⑯ 68317-001 LH 68317-002 RH REAR HANGER
③ 59935-011 LH HEIGHT CONTROL VALVE	⑰ 59952-023 TOP AXLE WRAP
④ 59935-018 RH HEIGHT CONTROL VALVE	⑱ 65757-000 TOP AXLE WRAP LINER
⑤ 59428-004 HEIGHT CONTROL VALVE LINKAGE	⑲ 59845-000 BOTTOM AXLE WRAP LINER
⑥ 65790-002 AIR SPRING	⑳ 64722-003 BOTTOM AXLE WRAP
⑦ 3/4" - 10" X 8.5" HEX BOLT	㉑ ES3177L TIE ROD END, LH
⑧ 68318-001, LH 68318-002, RH TOP PAD	㉒ ES3176R TIE ROD END, RH
⑨ 65992-001 SLEEPER 65992-002 DAY CAB SHOCK ABSORBER	㉓ 60904-034 UPPER STEERING KNUCKLE ASSEMBLY, RH
⑩ 664200-000 LEAF SPRING ASSEMBLY WITH BUSHING	㉔ 60903-041 UPPER STEERING KNUCKLE ASSEMBLY, LH
⑪ 65772-000 REAR MOUNT SPACER	㉕ KING PIN BUSHING KITS HS116K LH, HS117K RH, HS118K BOTH SIDES KING PIN BUSHING KITS
⑫ 65865-000 THRUST WASHER	㉖ 58900-071, LONG WHEEL BASE: 250 ACKERMAN 58900-073, SHORT WHEEL BASE: 200 ACKERMAN 58900-075, BELOW 200" WHEEL BASE LOWER STEERING KNUCKLE ASSEMBLY, LH
⑬ 58918-000 REAR SPRING MOUNT	㉗ 58900-072, LONG WHEEL BASE: 250 ACKERMAN 58900-074, SHORT WHEEL BASE: 200 ACKERMAN LOWER STEERING KNUCKLE ASSEMBLY, RH
⑭ HS119K HANGER CLAMP GROUP KIT	㉘ HS115K SPRING MOUNTING SERVICE KIT

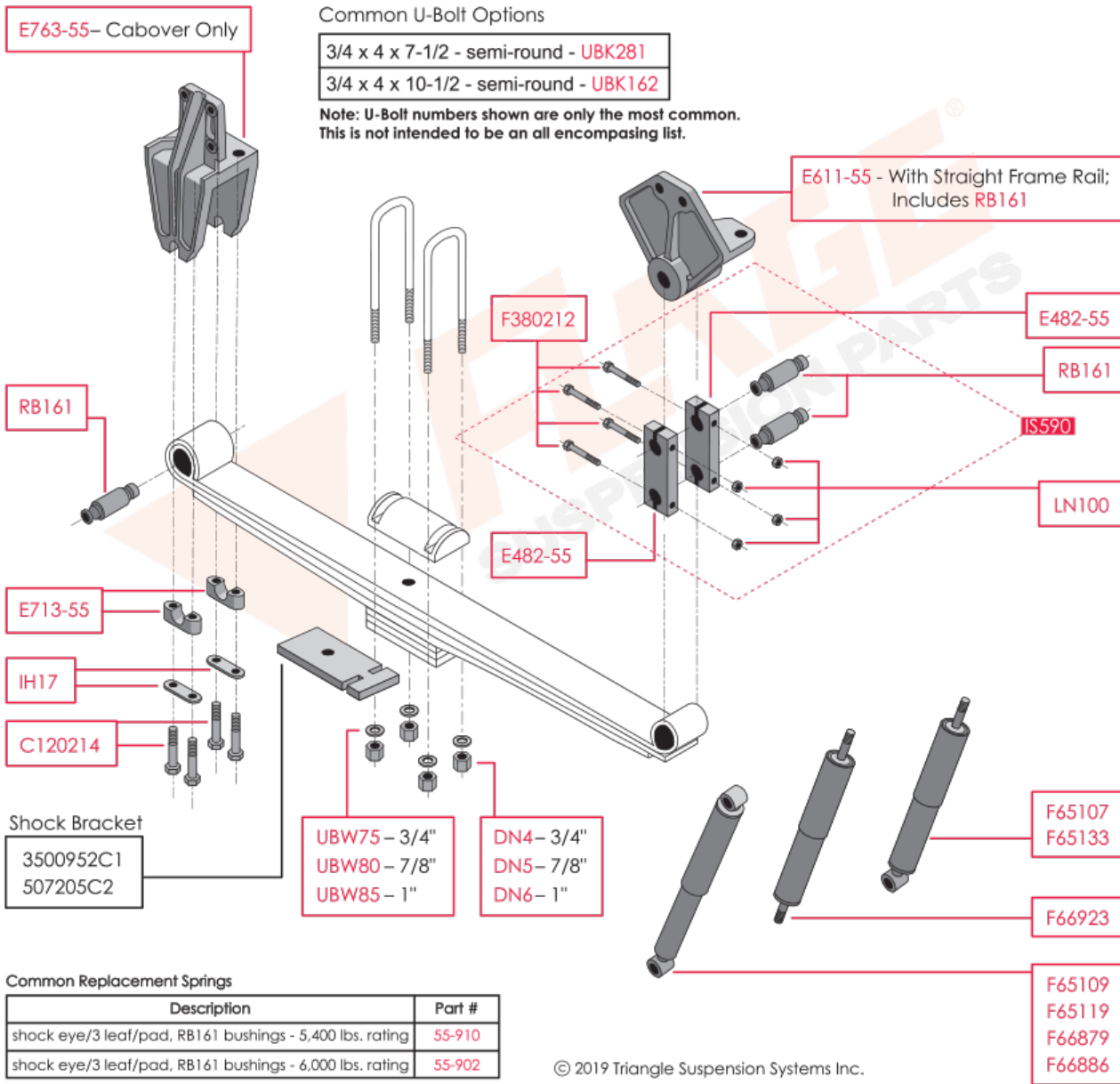
International, Eagle 9000, 91/92/93/94/96/97/9900, with Rubber Bushings, Front, Truck/Tractor Suspension



INTERNATIONAL EAGLE 9000 - FRONT, 91/92/93/94/96/97/9900 W/RUBBER SPRING BUSHINGS TRUCK/TRACTOR SUSPENSION

Use this drawing for the following:
 - CO-COF 9670 Series, Eagle Series
 - 9300 Series with Setback Axle

***BOLD RED NUMBERS REFLECT TRIANGLE PART NUMBERS**
**ITALICIZED BLACK NUMBERS REFLECT OEM NUMBERS (USE FOR REFERENCE ONLY)*



Common Replacement Springs

Description	Part #
shock eye/3 leaf/pad, RB161 bushings - 5,400 lbs. rating	55-910
shock eye/3 leaf/pad, RB161 bushings - 6,000 lbs. rating	55-902

© 2019 Triangle Suspension Systems Inc.

Note: Spring part numbers shown above are only the most common. This is not intended to be an all-encompassing list. Careful verification of all dimensions, capacity and specific application installation factors will determine the final selection of the replacement spring.

International, Eagle, 9000 Series, Threaded Spring Pins, Front, Truck/Tractor Suspension



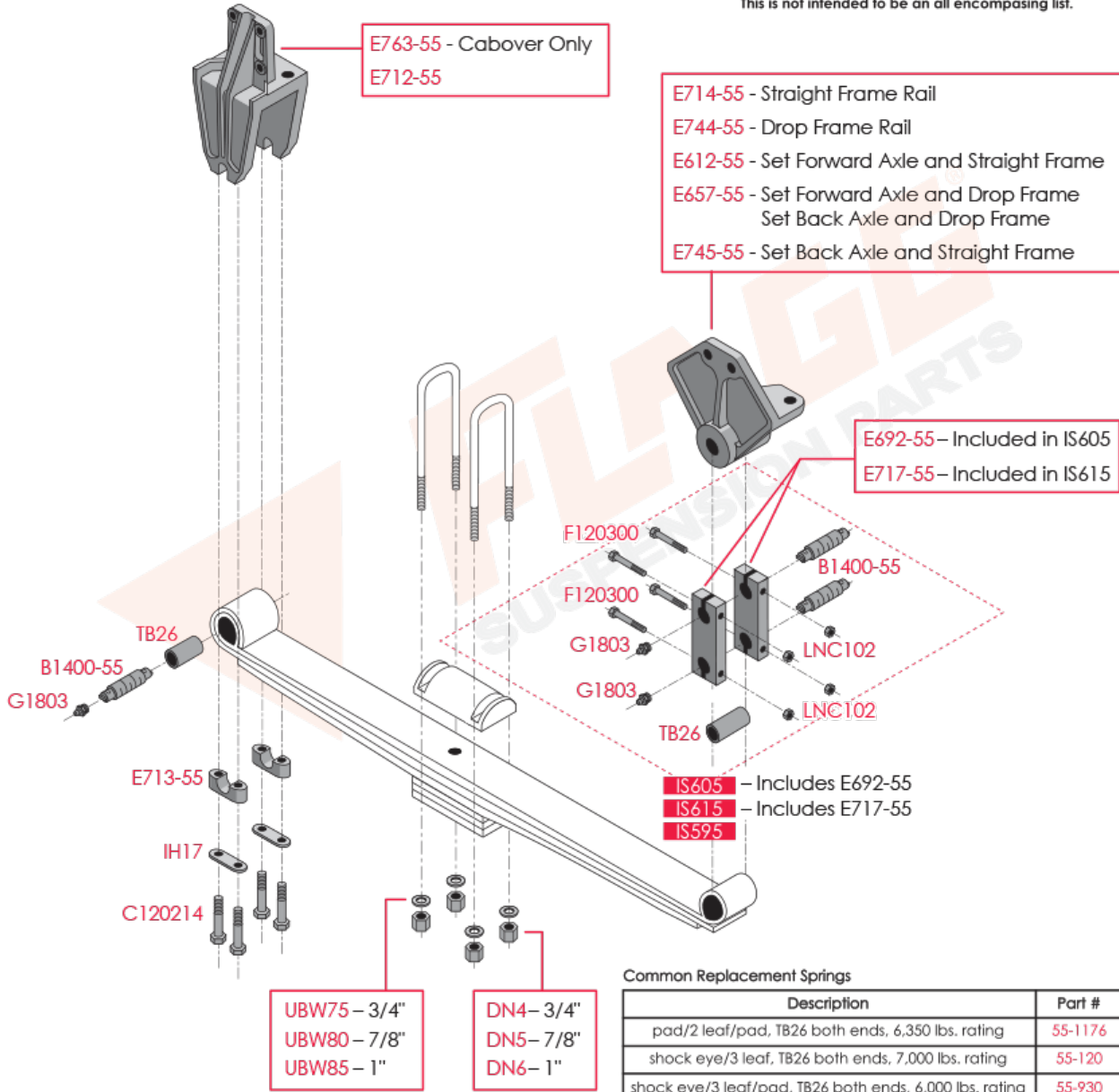
INTERNATIONAL EAGLE 9000 SERIES, FRONT, W/THEADED SPRING PINS TRUCK/TRACTOR SUSPENSION

Use this drawing for the following:
 - CO-COF 9600, CO-COF 9670 Series with Set Forward Axle
 - 9200 Series with Set Forward and Set Back Axle
 - 9300, 9400, 9700 Series with Set Back Axle

Common U-Bolt Options

3/4 x 4 x 10-1/2 - semi-round - UBK162
7/8 x 4 x 12-1/8 - semi-round - UT-5512SR
1 x 4 x 16 - semi-round - UBK171

Note: U-Bolt numbers shown are only the most common. This is not intended to be an all encompassing list.



Common Replacement Springs

Description	Part #
pad/2 leaf/pad, TB26 both ends, 6,350 lbs. rating	55-1176
shock eye/3 leaf, TB26 both ends, 7,000 lbs. rating	55-120
shock eye/3 leaf/pad, TB26 both ends, 6,000 lbs. rating	55-930
pad/3 leaf/shock eye, TB26 both ends, 8,000 lbs. rating	55-900
3 leaf, TB26 both ends, 8,100 lbs. rating	55-1188

© 2018 Triangle Suspension Systems Inc.

Note: Spring part numbers shown above are only the most common. This is not intended to be an all-encompassing list. Careful verification of all dimensions, capacity and specific application installation factors will determine the final selection of the replacement spring.

International, Lonestar & Prostar, Front, Truck/Tractor Suspension

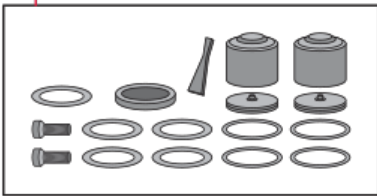
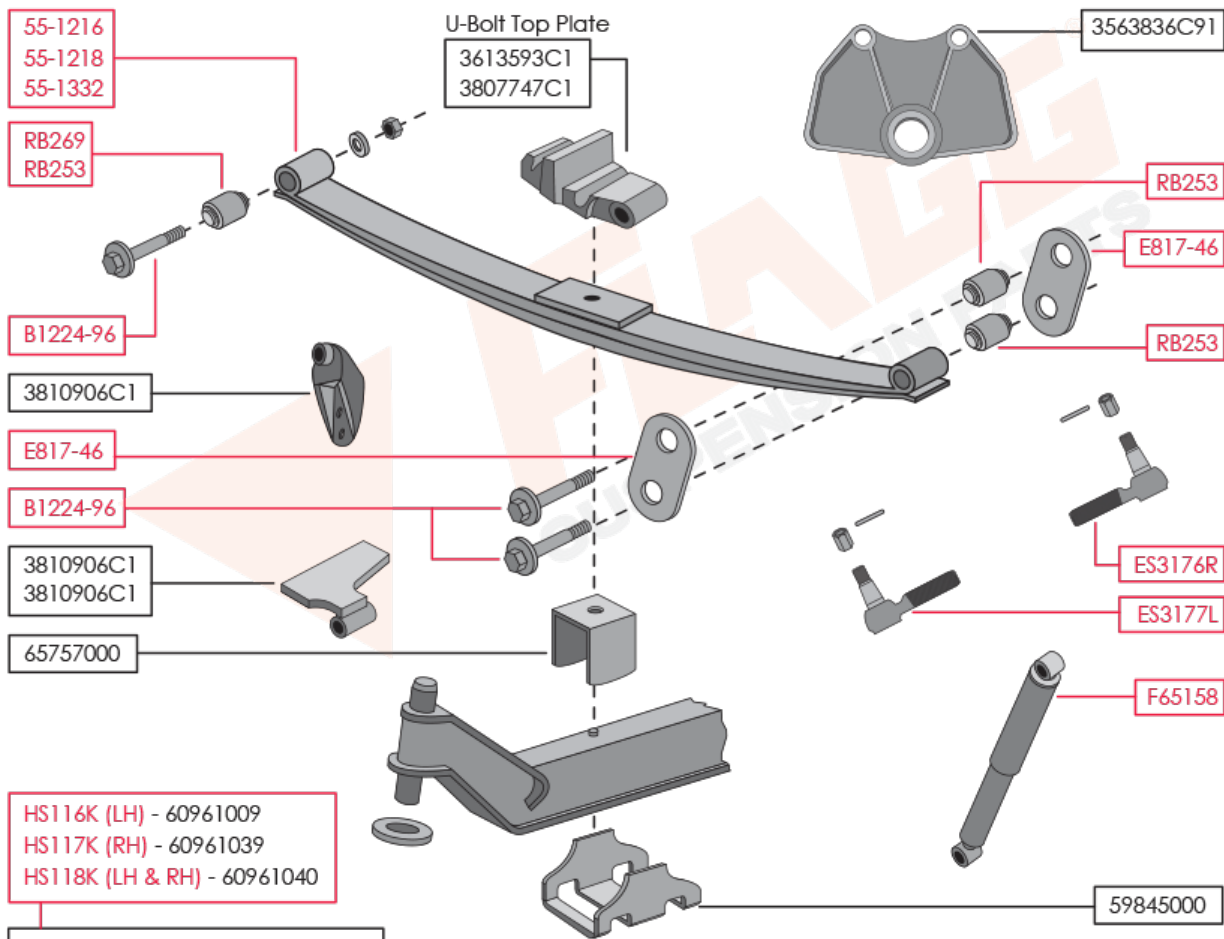


INTERNATIONAL / NAVISTAR FRONT: LONESTAR & PROSTAR, 8600, 9100 - 9900 MONO, 2 & 3 LEAF W/SOFTEK TRUCK/TRACTOR SUSPENSION

Common U-Bolt Options

3/4 x 4 x 10-1/2 - semi-round - UT-4910SR
3/4 x 4 x 12 - semi-round - UBK165
3/4 x 4 x 13 - semi-round

Note: U-Bolt numbers shown are only the most common.
This is not intended to be an all encompassing list.



Common Replacement Springs

Description	Part #
pad/2 leaf/2 pads, RB253 both ends, 5,350 lbs. rating	55-1216
pad/2 leaf/pad, RB253 both ends, 6,350 lbs. rating	55-1218
pad/2 leaf/2 pads, RB253 both ends, 5,350 lbs. rating	55-1332

International, Models 2500-2600, 8000-8300, 9000-9900 Series, 4" wide Springs with Threaded Bushings, Front, Truck/Tractor Suspension



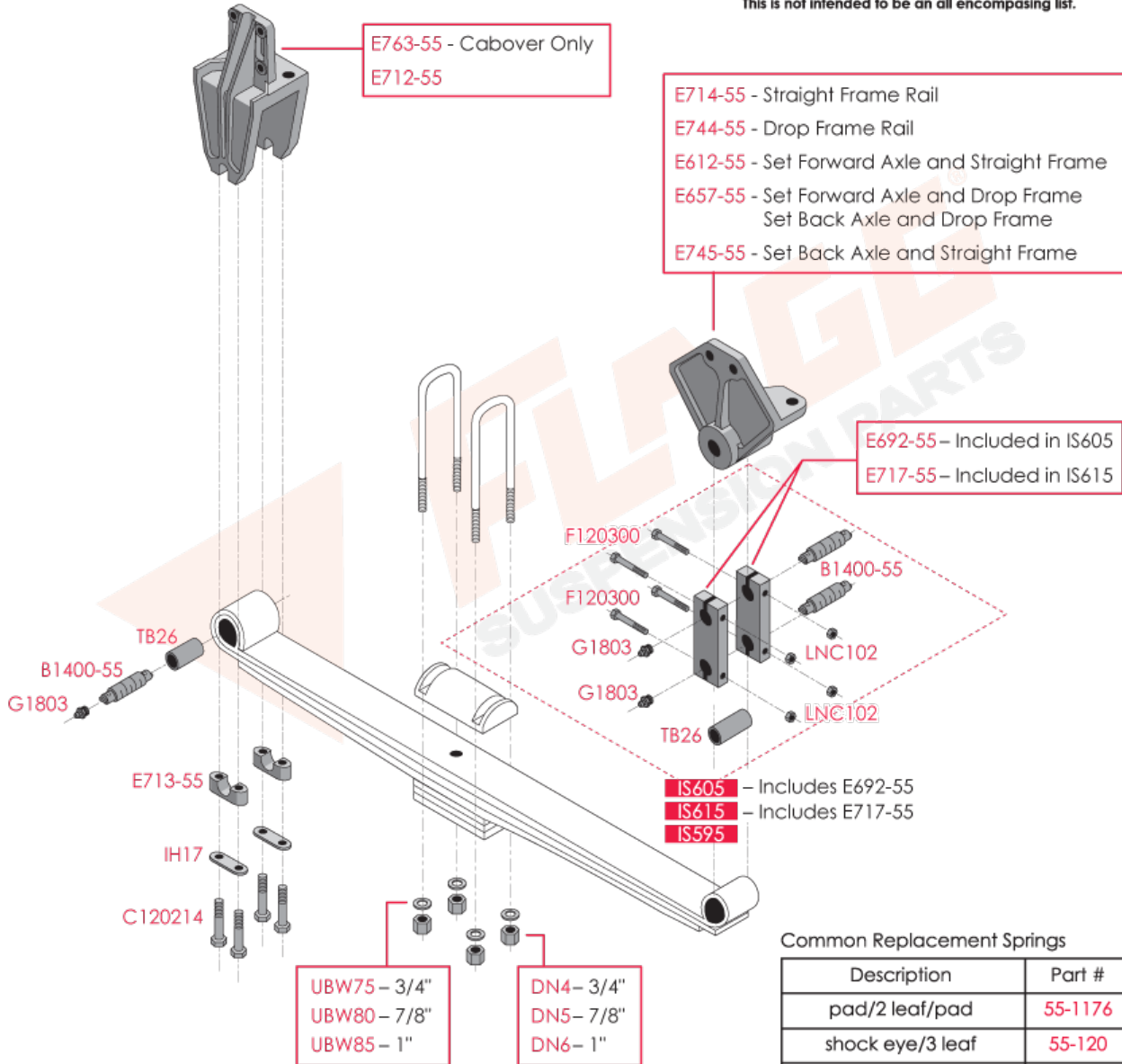
INTERNATIONAL EAGLE 9000 SERIES, FRONT, W/THEADED SPRING PINS TRUCK/TRACTOR SUSPENSION

Use this drawing for the following:
 - CO-COF 9600, CO-COF 9670 Series with Set Forward Axle
 - 9200 Series with Set Forward and Set Back Axle
 - 9300, 9400, 9700 Series with Set Back Axle

Common U-Bolt Options

3/4 x 4 x 10-1/2 - semi-round - UBK162
7/8 x 4 x 12-1/8 - semi-round - UT-5512SR
1 x 4 x 16 - semi-round - UBK171

Note: U-Bolt numbers shown are only the most common. This is not intended to be an all encompassing list.



Common Replacement Springs

Description	Part #
pad/2 leaf/pad	55-1176
shock eye/3 leaf	55-120
shock eye/3 leaf/pad	55-930
pad/3 leaf/shock eye	55-900
3 leaf	55-1188

© 2013 Triangle Suspension Systems Inc.

Note: Spring part numbers shown above are only the most common. This is not intended to be an all-encompassing list. Careful verification of all dimensions, capacity and specific application installation factors will determine the final selection of the replacement spring.

International, Models 2500-2600, 8000-8300, 9000-9900, 4" wide springs with 1-3/8" Threaded Spring Pins, Front, Truck/Tractor Suspension



INTERNATIONAL 8000 & S SERIES - (FRONT) MODELS WITH 1-3/8" THREADED SPRING PINS TRUCK/TRACTOR SUSPENSION

Use this drawing for the following:
- 2200 thru 2600 Series

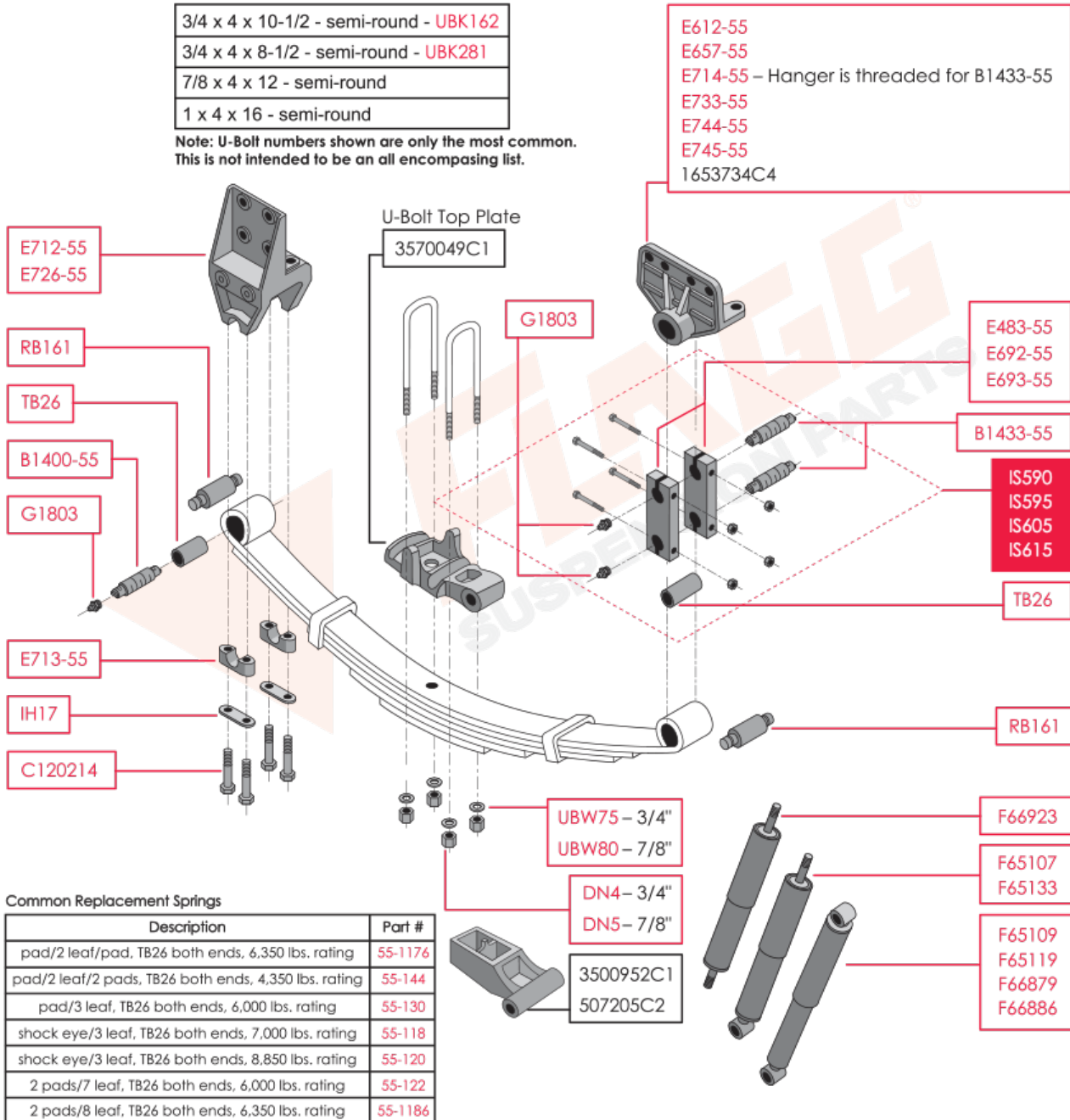
***BOLD RED NUMBERS REFLECT TRIANGLE PART NUMBERS**

**ITALICIZED BLACK NUMBERS REFLECT OEM NUMBERS (USE FOR REFERENCE ONLY)*

Common U-Bolt Options

3/4 x 4 x 10-1/2 - semi-round - UBK162
3/4 x 4 x 8-1/2 - semi-round - UBK281
7/8 x 4 x 12 - semi-round
1 x 4 x 16 - semi-round

Note: U-Bolt numbers shown are only the most common. This is not intended to be an all encompassing list.



Note: Spring part numbers shown above are only the most common. This is not intended to be an all-encompassing list. Careful verification of all dimensions, capacity and specific application installation factors will determine the final selection of the replacement spring.

© 2018 Triangle Suspension Systems Inc.

International, Models 3000, 4000, 7000, 8000, MD, HD, S Series, Models with Torque arm Springs and Cast Hangers, Rear, Truck/Tractor Suspension



INTERNATIONAL 3000/4000/7000/8000 S SERIES, REAR, CAST HANGERS TRUCK/TRACTOR SUSPENSION

***BOLD RED NUMBERS REFLECT TRIANGLE PART NUMBERS**

**ITALICIZED BLACK NUMBERS REFLECT OEM NUMBERS (USE FOR REFERENCE ONLY)*

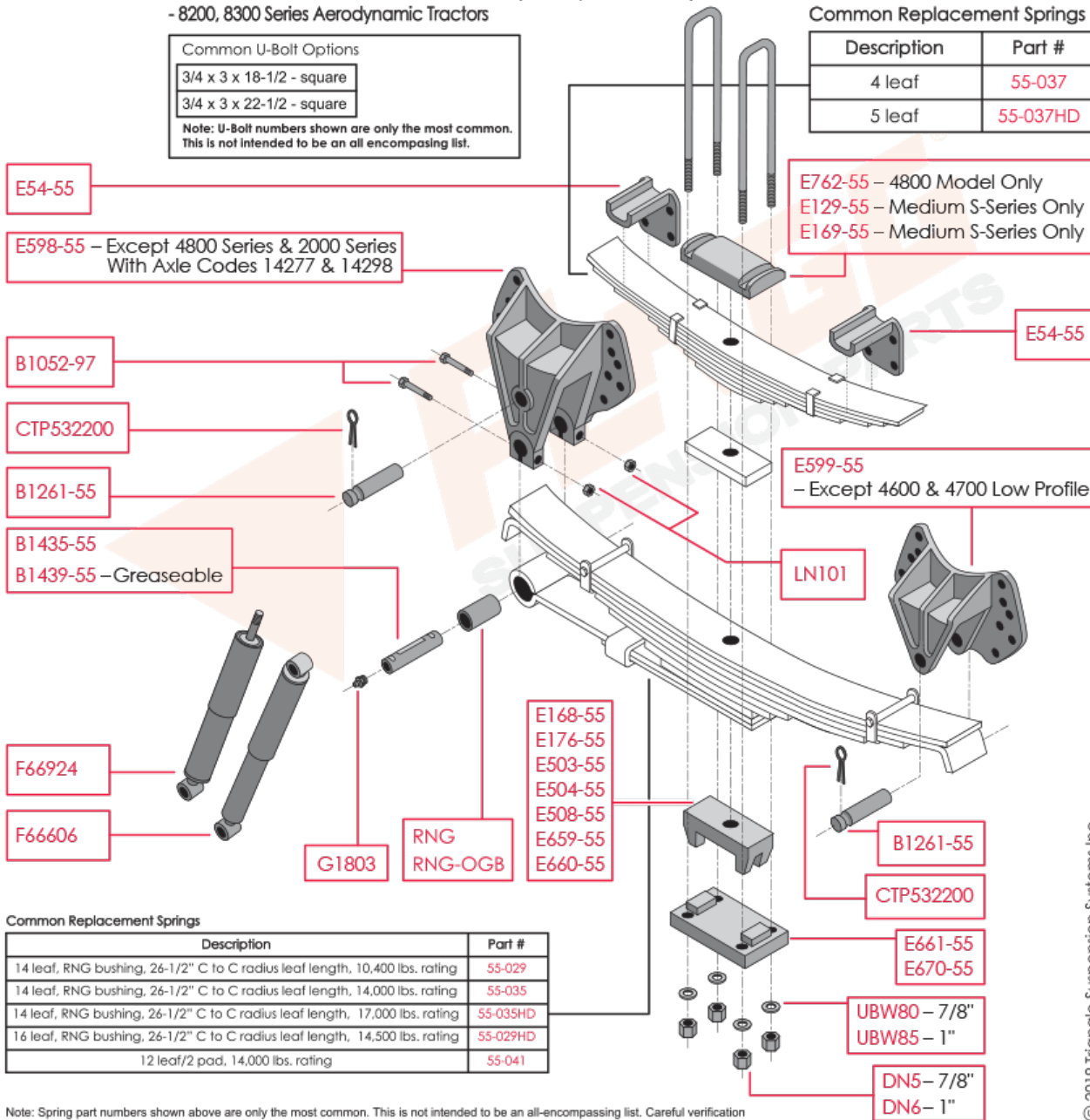
Use this drawing for the following:

- 1624-2155 Medium S-Series
- 2275, 2524, 2554, 2574, 2575, 2624, 2654, 2674, 2675 Heavy S-Series
- 3600 Series with Semi-Forward Control, 3700, 3800 Series; 3900 Series with Forward Control
- 4600, 4700, 4800, 4900 Series Medium Conventional Trucks
- 7100 Series Medium Conventional Tractors (formerly 2155 Models)
- 8200, 8300 Series Aerodynamic Tractors

Common U-Bolt Options	
3/4 x 3 x 18-1/2 - square	
3/4 x 3 x 22-1/2 - square	
Note: U-Bolt numbers shown are only the most common. This is not intended to be an all encompassing list.	

Common Replacement Springs

Description	Part #
4 leaf	55-037
5 leaf	55-037HD



Common Replacement Springs

Description	Part #
14 leaf, RNG bushing, 26-1/2" C to C radius leaf length, 10,400 lbs. rating	55-029
14 leaf, RNG bushing, 26-1/2" C to C radius leaf length, 14,000 lbs. rating	55-035
14 leaf, RNG bushing, 26-1/2" C to C radius leaf length, 17,000 lbs. rating	55-035HD
16 leaf, RNG bushing, 26-1/2" C to C radius leaf length, 14,500 lbs. rating	55-029HD
12 leaf/2 pad, 14,000 lbs. rating	55-041

Note: Spring part numbers shown above are only the most common. This is not intended to be an all-encompassing list. Careful verification of all dimensions, capacity and specific application installation factors will determine the final selection of the replacement spring.

© 2019 Triangle Suspension Systems Inc.

International, Models 3200 - 8600, Prostar, Rear, Truck/Tractor Suspension



INTERNATIONAL 3200 - 8600 SERIES PROSTAR, REAR, CAST HANGERS WITH BAR PIN BUSHINGS TRUCK/TRACTOR SUSPENSION

***BOLD RED NUMBERS REFLECT TRIANGLE PART NUMBERS**

**ITALICIZED BLACK NUMBERS REFLECT OEM NUMBERS (USE FOR REFERENCE ONLY)*

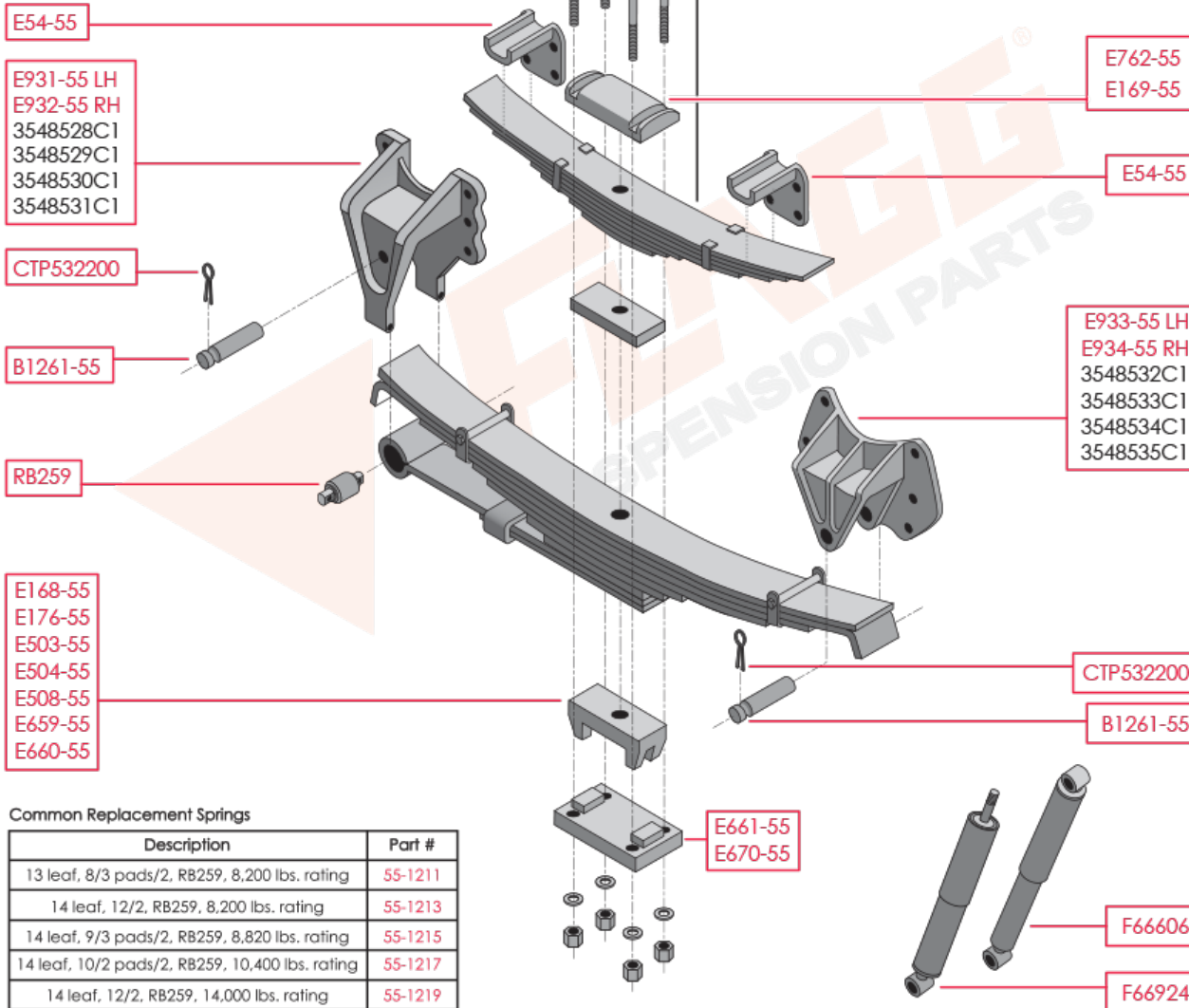
Common U-Bolt Options

3/4 x 3 x 18-1/2 - square
3/4 x 3 x 22-1/2 - square

Note: U-Bolt numbers shown are only the most common. This is not intended to be an all encompassing list.

Common Replacement Springs

Description	Part #
4 leaf, 2,250 lbs. rating	55-037
5 leaf, 2,800 lbs. rating	55-037HD



Common Replacement Springs

Description	Part #
13 leaf, 8/3 pads/2, RB259, 8,200 lbs. rating	55-1211
14 leaf, 12/2, RB259, 8,200 lbs. rating	55-1213
14 leaf, 9/3 pads/2, RB259, 8,820 lbs. rating	55-1215
14 leaf, 10/2 pads/2, RB259, 10,400 lbs. rating	55-1217
14 leaf, 12/2, RB259, 14,000 lbs. rating	55-1219
14 leaf, RB259, 17,500 lbs. rating	55-1219HD
12 leaf, RB259	55-1277

Note: Spring part numbers shown above are only the most common. This is not intended to be an all-encompassing list. Careful verification of all dimensions, capacity and specific application installation factors will determine the final selection of the replacement spring.

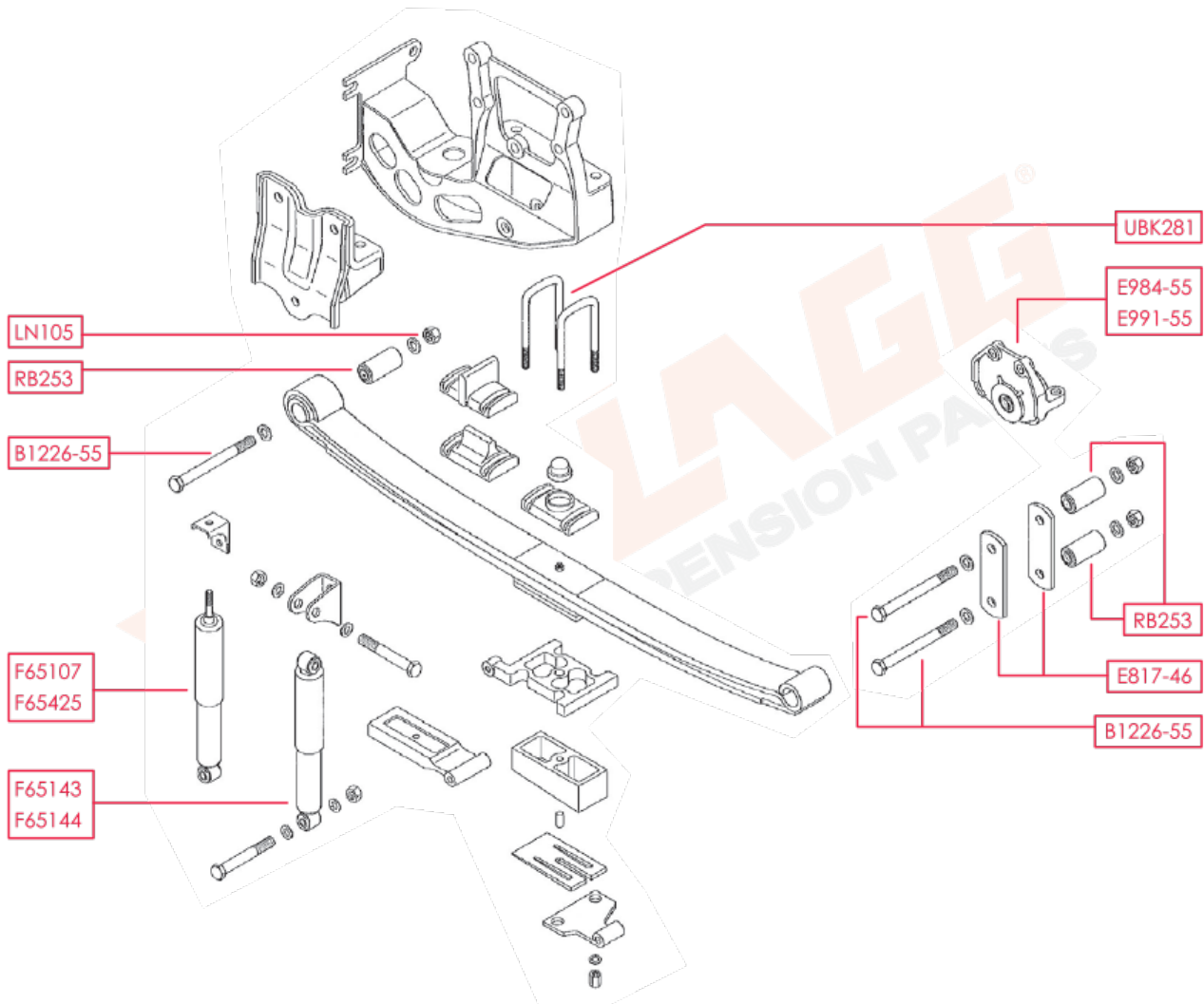
© 2019 Triangle Suspension Systems Inc.

International, Models 3200-8500 with 3" wide Springs, Ford F650/F750 with 4" wide Springs, with 3/4" Bolts, Front, Truck/Tractor Suspension



INTERNATIONAL
 MODELS 3200 - 8500 WITH 3" WIDE SPRINGS,
 FORD F650/F750 WITH 4" WIDE SPRINGS, FRONT,
 WITH 3/4" BOLTS
 TRUCK/TRACTOR SUSPENSION

***BOLD RED NUMBERS REFLECT TRIANGLE PART NUMBERS**
**ITALICIZED BLACK NUMBERS REFLECT OEM NUMBERS (USE FOR REFERENCE ONLY)*



Common Replacement Springs

Description	Part #
5 leaf, pad/2/2 pads	55-1240
5 leaf, pad/2/2 pads, RB253, 5,400 lbs. rating	55-1242
4 leaf, pad/2/pads, RB253, 6,300 lbs. rating	55-1262

© 2018 Triangle Suspension Systems Inc.

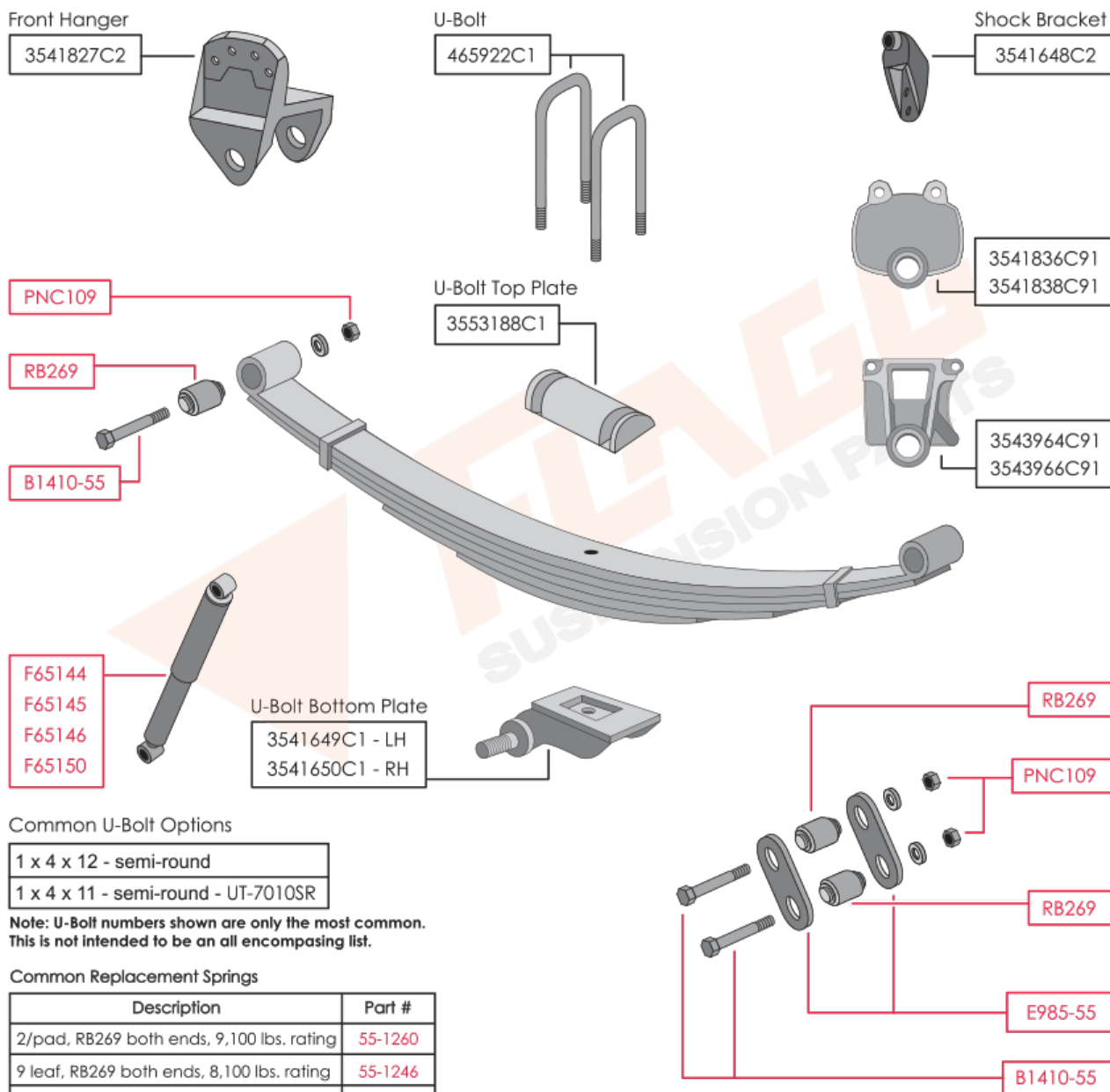
International, Models 73-7700, 4WD, 16K-20K, with 1.0" RB's, Front, Truck/Tractor Suspension



INTERNATIONAL / NAVISTAR FRONT: 73-7700, 4" WD. 16K-20K, W/1.0" RB'S TRUCK/TRACTOR SUSPENSION

***BOLD RED NUMBERS REFLECT TRIANGLE PART NUMBERS**

**ITALICIZED BLACK NUMBERS REFLECT OEM NUMBERS (USE FOR REFERENCE ONLY)*



Common U-Bolt Options

1 x 4 x 12 - semi-round
1 x 4 x 11 - semi-round - UT-7010SR

Note: U-Bolt numbers shown are only the most common. This is not intended to be an all encompassing list.

Common Replacement Springs

Description	Part #
2/pad, RB269 both ends, 9,100 lbs. rating	55-1260
9 leaf, RB269 both ends, 8,100 lbs. rating	55-1246
9 leaf, RB269 both ends, 7,200 lbs. rating	55-1236
2/pad, RB269 both ends, 5,400 lbs. rating	55-1320
8 leaf, RB269 both ends, 9,100 lbs. rating	55-1248

International, Models Cargostar, Fleetstar, Loadstar, Single Axle with Torque arm Springs, Rear, Truck/Tractor Suspension

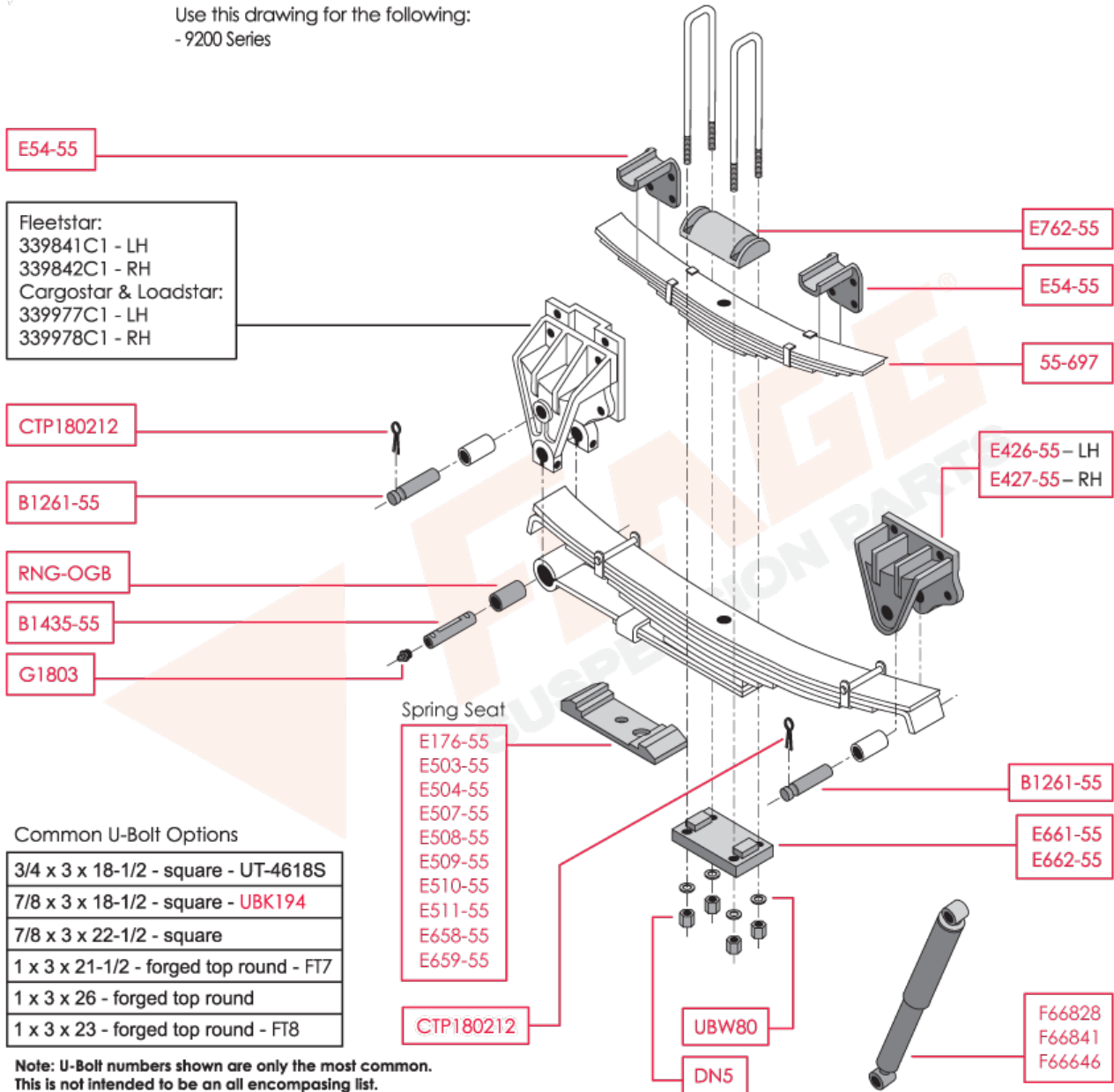


INTERNATIONAL 9000 SERIES, REAR, SINGLE AXLE TRUCK/TRACTOR SUSPENSION

***BOLD RED NUMBERS REFLECT TRIANGLE PART NUMBERS**

**ITALICIZED BLACK NUMBERS REFLECT OEM NUMBERS (USE FOR REFERENCE ONLY)*

Use this drawing for the following:
- 9200 Series



Common U-Bolt Options

3/4 x 3 x 18-1/2 - square - UT-4618S
7/8 x 3 x 18-1/2 - square - UBK194
7/8 x 3 x 22-1/2 - square
1 x 3 x 21-1/2 - forged top round - FT7
1 x 3 x 26 - forged top round
1 x 3 x 23 - forged top round - FT8

Note: U-Bolt numbers shown are only the most common.
This is not intended to be an all encompassing list.

Common Replacement Springs

Description	Part #
12 leaf, RNG bushing, 25-1/2" C to C radius leaf length	55-729
13 leaf, RNG bushing, 25-1/2" C to C radius leaf length	55-759

© 2015 Triangle Suspension Systems Inc.

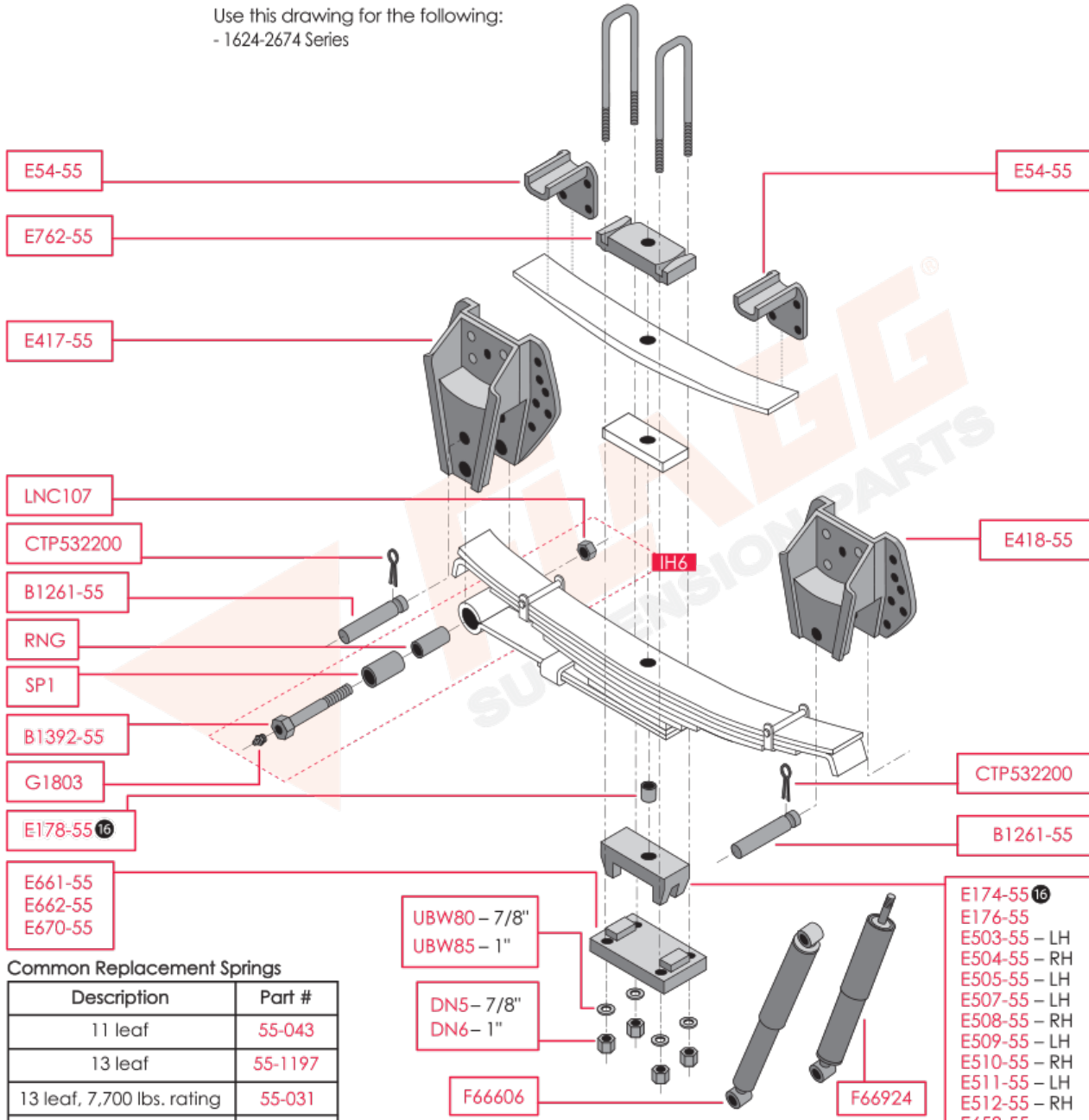
Note: Spring part numbers shown above are only the most common. This is not intended to be an all-encompassing list. Careful verification of all dimensions, capacity and specific application installation factors will determine the final selection of the replacement spring.

International, Models S, MD, HD with Cast and Fabricated Frame Hangers, Rear, Truck/Tractor Suspension



INTERNATIONAL 3000/4000/7000/8000 S SERIES, STAMPED HANGERS TRUCK/TRACTOR SUSPENSION

***BOLD RED NUMBERS REFLECT TRIANGLE PART NUMBERS**
**ITALICIZED BLACK NUMBERS REFLECT OEM NUMBERS (USE FOR REFERENCE ONLY)*
 Use this drawing for the following:
 - 1624-2674 Series



Common Replacement Springs

Description	Part #
11 leaf	55-043
13 leaf	55-1197
13 leaf, 7,700 lbs. rating	55-031
14 leaf: 9/3/2	55-041
14 leaf, 10,400 lbs. rating	55-029
14 leaf, 14,000 lbs. rating	55-035
14 leaf, Heavy Duty	55-035HD

16 Use E178-55 Dowel Pin with E174-55 Spring Seat Only.
 E178-55 Dowel Pin reduces Center Hole Diameter to 5/8".

© 2018 Triangle Suspension Systems Inc.

Note: Spring part numbers shown above are only the most common. This is not intended to be an all-encompassing list. Careful verification of all dimensions, capacity and specific application installation factors will determine the final selection of the replacement spring.

International, New Corporate Air IROS Suspension (Ford Applications Also), Rear, Truck/Tractor Suspension



INTERNATIONAL NEW CORPORATE AIR SUSPENSION - REAR TRUCK/TRACTOR SUSPENSION

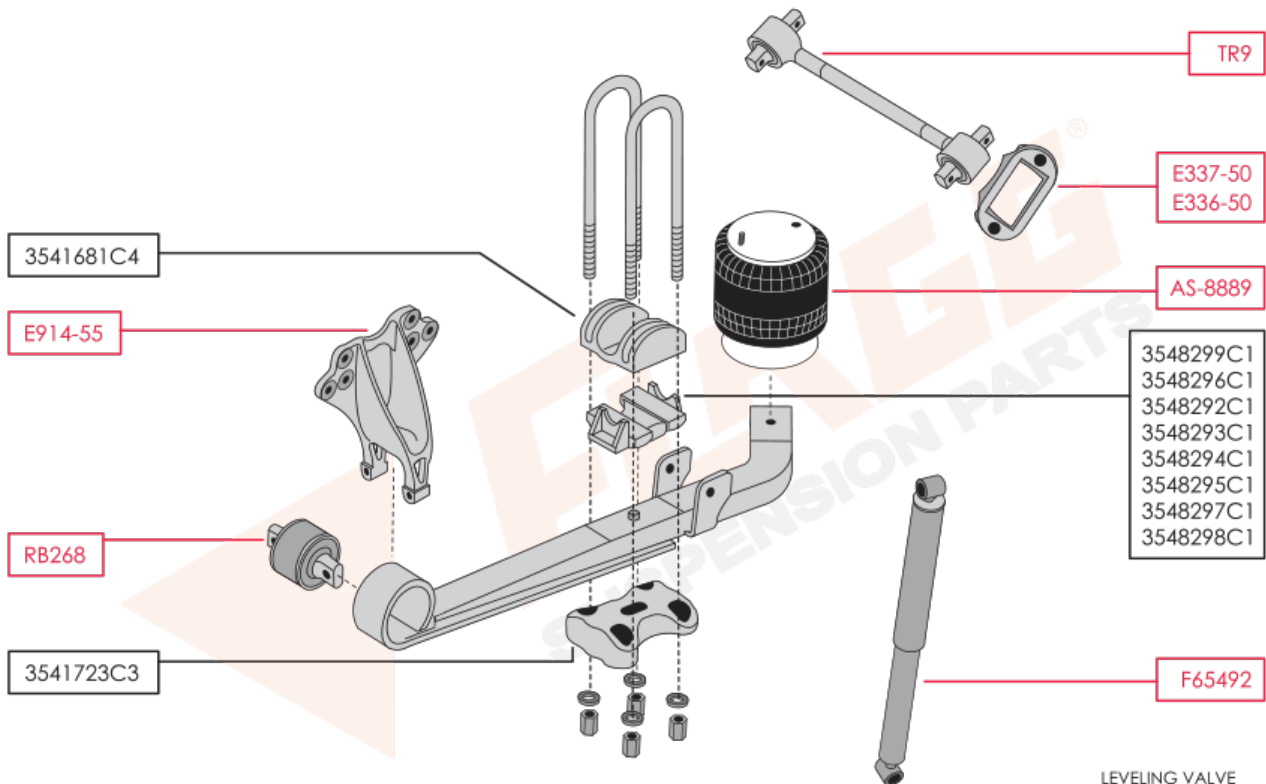
***BOLD RED NUMBERS REFLECT TRIANGLE PART NUMBERS**

**ITALICIZED BLACK NUMBERS REFLECT OEM NUMBERS (USE FOR REFERENCE ONLY)*

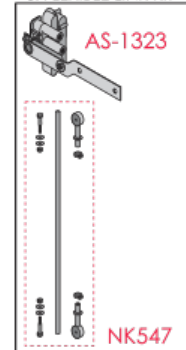
Common U-Bolt Options

7/8 x 5-1/2 x 17 - round **UBK285**

Note: U-Bolt numbers shown are only the most common. This is not intended to be an all encompassing list.



LEVELING VALVE & FLEXIBLE LINK KIT



Common Replacement Springs

Description	Part #
LH w/shock bracket, 20K per Axle	55-1235
RH w/shock bracket, 20K per Axle	55-1237
LH w/NO shock bracket, 23K per Axle	55-1239
RH w/NO shock bracket, 23K per Axle	55-1241

Note: Spring part numbers shown above are only the most common. This is not intended to be an all-encompassing list. Careful verification of all dimensions, capacity and specific application installation factors will determine the final selection of the replacement spring.

© 2018 Triangle Suspension Systems Inc.

International, Paystar, 5000 Series, with Single Eye Spring, Front, Truck/Tractor Suspension



INTERNATIONAL PAYSTAR, 5000 SERIES, FRONT W/SINGLE EYE SPRING TRUCK/TRACTOR SUSPENSION

Use this drawing for the following:

- 5000 Series
- COF-5870 Series with Dual Front Axle

***BOLD RED NUMBERS REFLECT TRIANGLE PART NUMBERS**

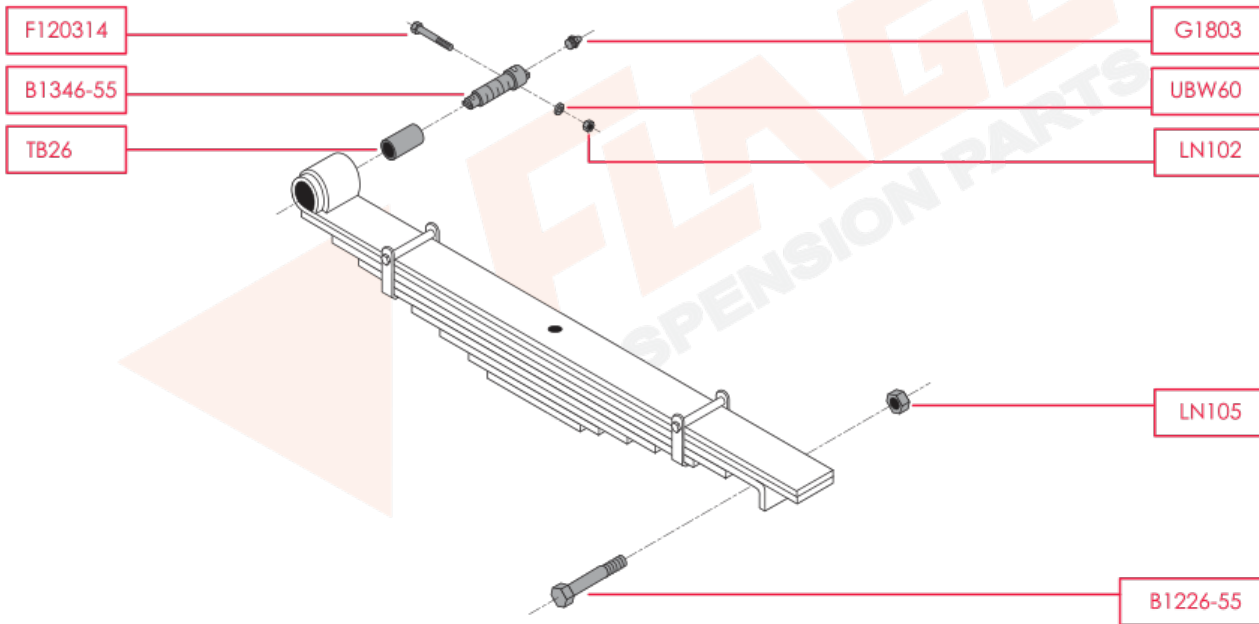
**ITALICIZED BLACK NUMBERS REFLECT OEM NUMBERS (USE FOR REFERENCE ONLY)*

Common U-Bolt Options

1 x 4 x 10 - semi-round

1 x 4 x 12 - semi-round

**Note: U-Bolt numbers shown are only the most common.
This is not intended to be an all encompassing list.**



Common Replacement Springs

Description	Part #
8 leaf, TB26 S.E., 9,000 lbs. rating	55-814
9 leaf, TB26 S.E., 11,000 lbs. rating	55-966
11 leaf, TB26 S.E., 13,000 lbs. rating	55-966HD

Note: Spring part numbers shown above are only the most common. This is not intended to be an all-encompassing list. Careful verification of all dimensions, capacity and specific application installation factors will determine the final selection of the replacement spring.

© 2019 Triangle Suspension Systems Inc.

International, S Series, Models S 1800 - S 2600 with Cast Hangers and 1-1/4" Spring Pins, Front, Truck/Tractor Suspension



INTERNATIONAL

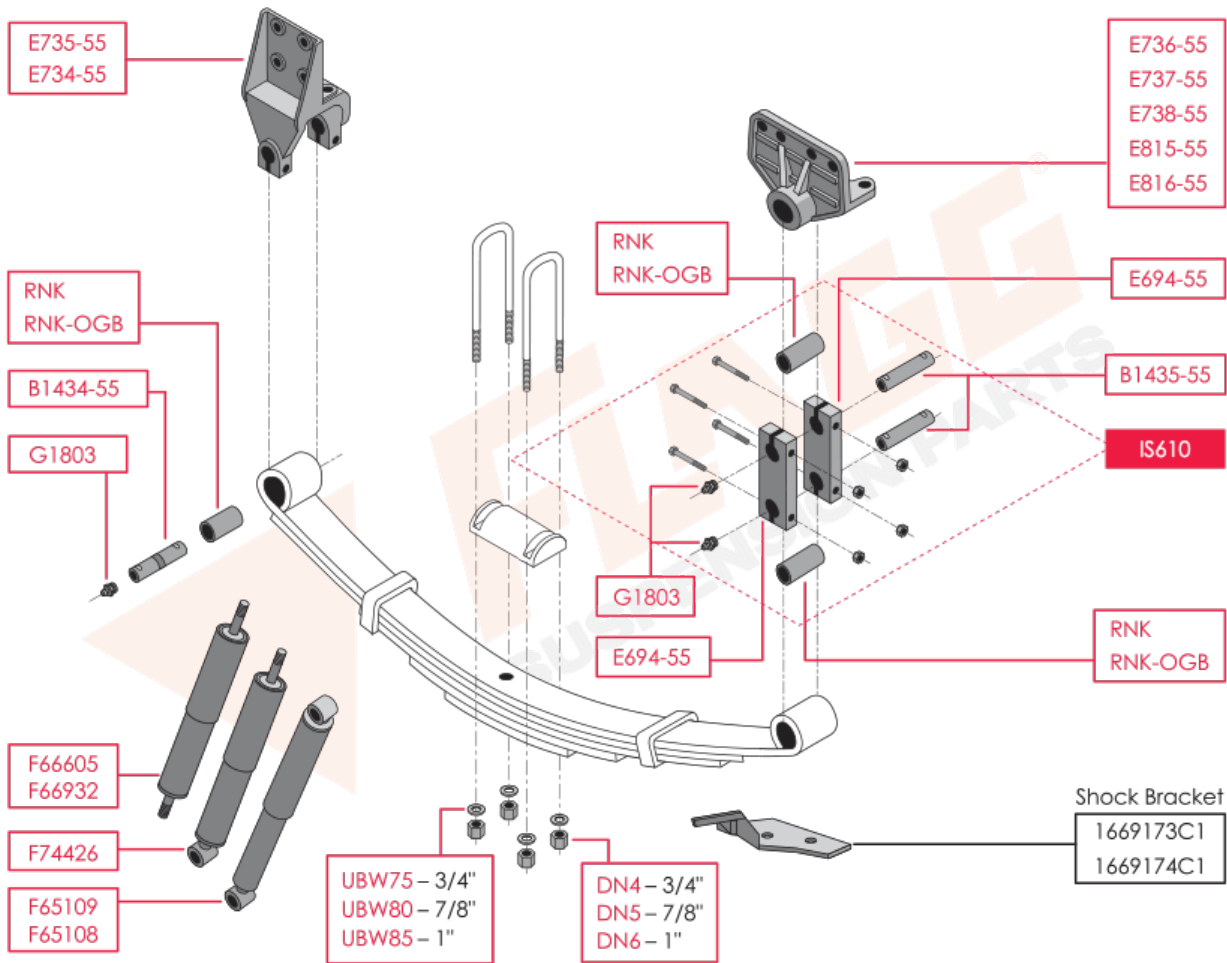
S SERIES, MODELS S 1800 - S 2600 with CAST HANGERS AND 1-1/4" SPRING PINS - FRONT TRUCK/TRACTOR SUSPENSION

Use this drawing for the following:

- 1624-2155 Series with 9,000 lb., 10,800 lb., 12,000 lb. Front Axles
- 2275-2375 Series with 10,800 lb., 12,000 lb., 14,000 lb., 16,000 lb., 18,000 lb., 20,000 lb. Front Axles
- 2554, 2574, 2654, 2674 Series with 16,000 lb., 18,000 lb., 20,000 lb. Front Axles

***BOLD RED NUMBERS REFLECT TRIANGLE PART NUMBERS**

**ITALICIZED BLACK NUMBERS REFLECT OEM NUMBERS (USE FOR REFERENCE ONLY)*



Common Replacement Springs

Description	Part #
2 pads/7 leaf, rating: 5,350 lbs.	55-148
2 pads/8 leaf, rating: 6,350 lbs.	55-154
7 leaf/S.B., rating: 7,200 lbs.	55-158
8 leaf/S.B., rating: 8,100 lbs.	55-160
11 leaf/S.B., rating: 9,100 lbs.	55-944

Common Replacement Springs

Description	Part #
2 pads/8 leaf, rating: 9,000 lbs.	55-908
2 pads/7 leaf, rating: 7,200 lbs.	55-898
9 leaf, rating: 8,000 lbs.	55-858

Common U-Bolt Options

3/4 x 4 x 7-1/2 - semi-round - UBK281
3/4 x 4 x 10-1/2 - semi-round - UBK162
7/8 x 4 x 12 - semi-round - UT-5512SR
1 x 4 x 12 - semi-round

Note: U-Bolt numbers shown are only the most common. This is not intended to be an all encompassing list.

© 2019 Triangle Suspension Systems Inc.

Note: Spring part numbers shown above are only the most common. This is not intended to be an all-encompassing list. Careful verification of all dimensions, capacity and specific application installation factors will determine the final selection of the replacement spring.

International, S Series, Models with Cast Hangers and 1" Pins, Front, Truck/Tractor Suspension



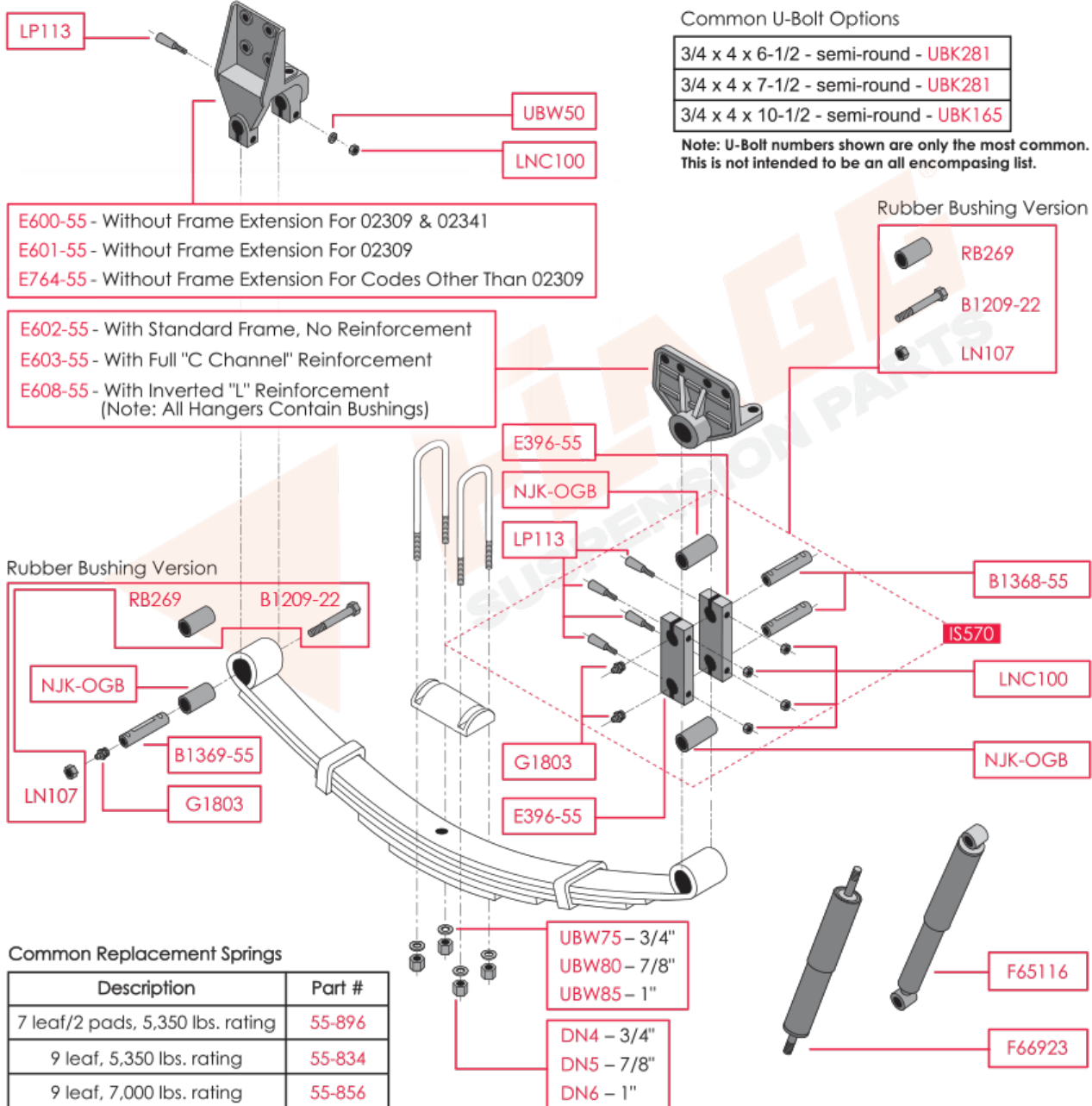
INTERNATIONAL S SERIES - (FRONT) - MODELS W/ CAST HANGERS & 1" PINS TRUCK/TRACTOR SUSPENSION

Use this drawing for the following:

- 1624-2155 Series with 9,000 lb., 10,800 lb., 12,000 lb. Front Axles
- 2275-2375 Series with 10,800 lb., 12,000 lb., 14,000 lb., 16,000 lb., 18,000 lb., 20,000 lb. Front Axles
- 2554, 2574, 2654, 2674 Series with 16,000 lb., 18,000 lb., 20,000 lb. Front Axles

***BOLD RED NUMBERS REFLECT TRIANGLE PART NUMBERS**

**ITALICIZED BLACK NUMBERS REFLECT OEM NUMBERS (USE FOR REFERENCE ONLY)*



Note: Spring part numbers shown above are only the most common. This is not intended to be an all-encompassing list. Careful verification of all dimensions, capacity and specific application installation factors will determine the final selection of the replacement spring.

© 2018 Triangle Suspension Systems Inc.

International, S1600/S2100, 3000, 4000, 7000, Medium Duty Series, Front, Truck/Tractor Suspension



INTERNATIONAL

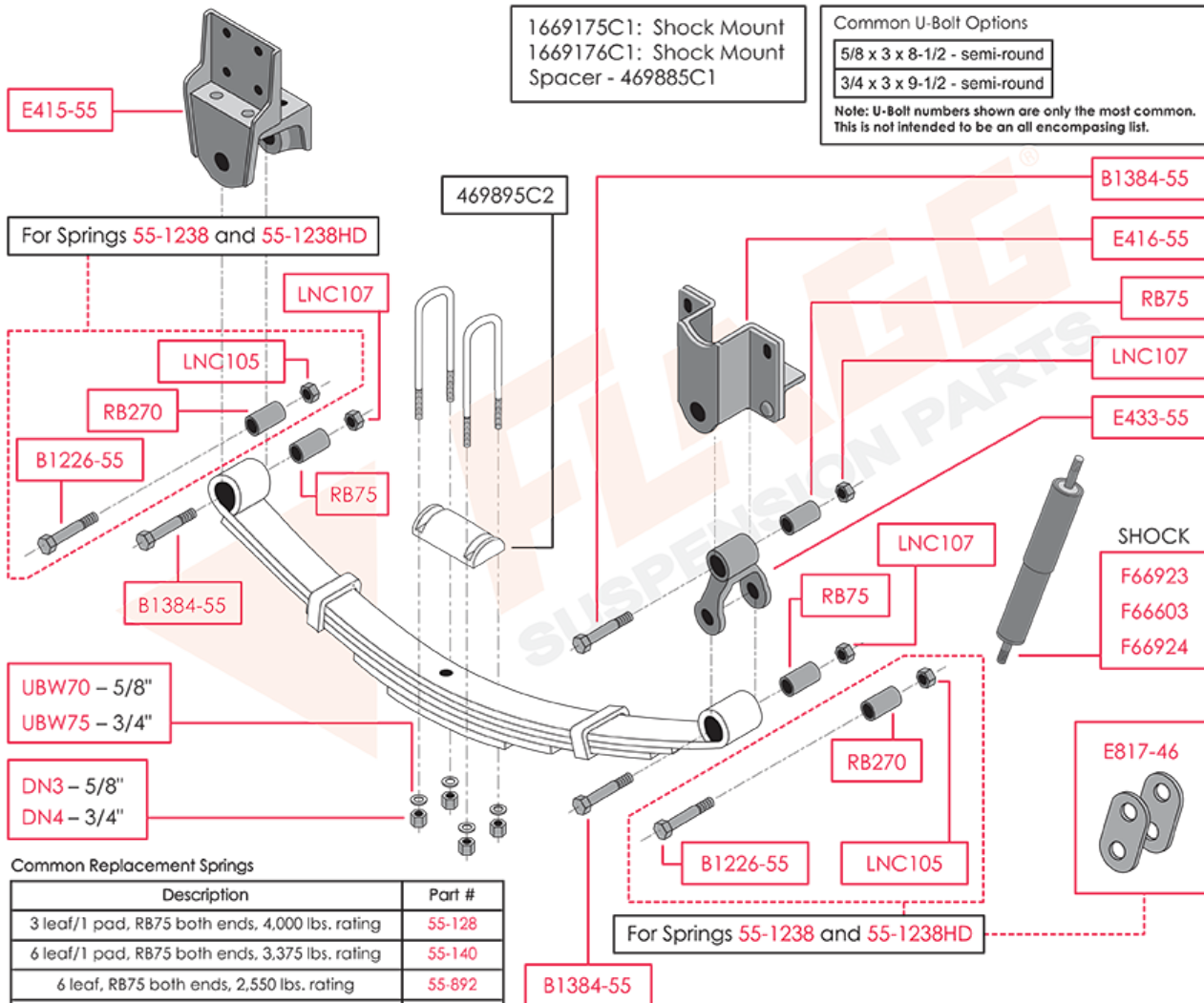
S1600/S2100, 3000/4000/7000 MEDIUM DUTY SERIES, FRONT TRUCK/TRACTOR SUSPENSION

Use this drawing for the following:

Medium S-Series Trucks and Buses (1624 - 2155) with 5,000 lb., 6,000 lb., 7,500 lb. Front Axles
 3600, 3700, 3800 Series Buses with 6,000 lb., 8,000 lb., 9,000 lb. Front Axles
 4600, 4600LP, 4700, 4700LP, 4800, 4900 Series Trucks with 6,000 lb., 8,000 lb., 9,000 lb. Front Axles
 7100 Series Medium Conventional Tractors

***BOLD RED NUMBERS REFLECT TRIANGLE PART NUMBERS**

**ITALICIZED BLACK NUMBERS REFLECT OEM NUMBERS (USE FOR REFERENCE ONLY)*



Common Replacement Springs

Description	Part #
3 leaf/1 pad, RB75 both ends, 4,000 lbs. rating	55-128
6 leaf/1 pad, RB75 both ends, 3,375 lbs. rating	55-140
6 leaf, RB75 both ends, 2,550 lbs. rating	55-892
6 leaf/2 pads, RB75 both ends, 3,500 lbs. rating	55-894
7 leaf, RB75 both ends, 5,500 lbs. rating	55-894HD
7 leaf, RB75 both ends, 2,550 lbs. rating	55-844
7 leaf, RB75 both ends, 3,250 lbs. rating	55-848
8 leaf, RB75 both ends, 3,500 lbs. rating	55-878
pad/2 leaf/pad, RB75 both ends, 3,500 lbs. rating	55-1180

Common Replacement Springs

Description	Part #
pad/2 leaf/pad, RB270 both ends, 3,800 lbs. rating	55-1238
pad/3 leaf/pad, RB270 both ends, 5,300 lbs. rating	55-1238HD
5 leaf, RB75 both ends, 2,550 lbs. rating	55-1174

Note: Spring part numbers shown above are only the most common. This is not intended to be an all-encompassing list. Careful verification of all dimensions, capacity and specific application installation factors will determine the final selection of the replacement spring.

© 2019 Triangle Suspension Systems Inc.

International, S1800-S2600 Series, Heavy Duty with 1" Pins and Cast Frame Hangers, Front, Truck/Tractor Suspension



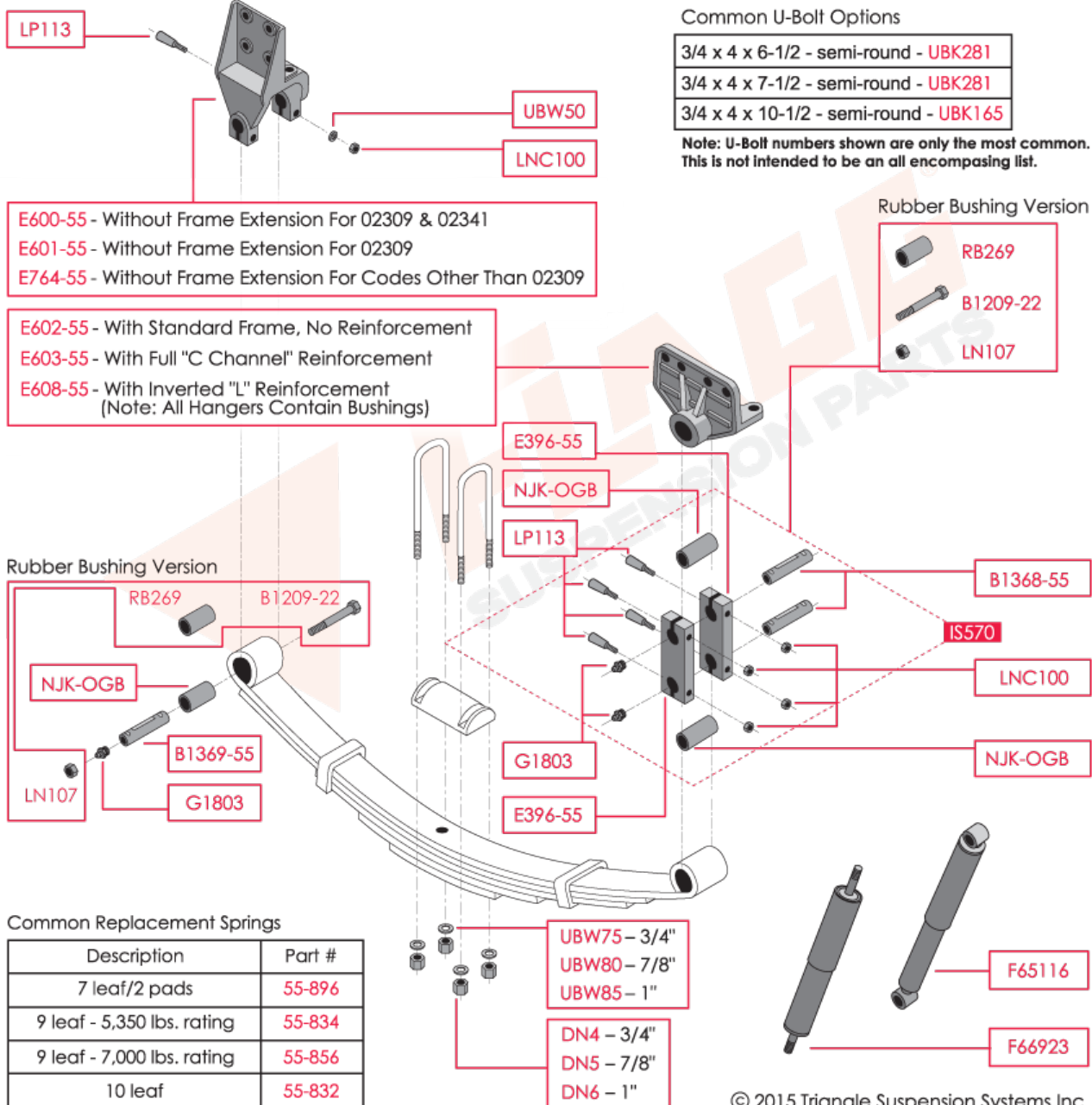
INTERNATIONAL S SERIES - (FRONT) - MODELS W/ CAST HANGERS & 1" PINS TRUCK/TRACTOR SUSPENSION

Use this drawing for the following:

- 1624-2155 Series with 9,000 lb., 10,800 lb., 12,000 lb. Front Axles
- 2275-2375 Series with 10,800 lb., 12,000 lb., 14,000 lb., 16,000 lb., 18,000 lb., 20,000 lb. Front Axles
- 2554, 2574, 2654, 2674 Series with 16,000 lb., 18,000 lb., 20,000 lb. Front Axles

***BOLD RED NUMBERS REFLECT TRIANGLE PART NUMBERS**

***ITALICIZED BLACK NUMBERS REFLECT OEM NUMBERS (USE FOR REFERENCE ONLY)**



© 2015 Triangle Suspension Systems Inc.

Note: Spring part numbers shown above are only the most common. This is not intended to be an all-encompassing list. Careful verification of all dimensions, capacity and specific application installation factors will determine the final selection of the replacement spring.

International, S1800-S2600 Series, Heavy Duty with 1-1/4" Pins and Cast Frame Hangers, Front, Truck/Tractor Suspension



INTERNATIONAL 8000 SERIES - FRONT TRUCK/TRACTOR SUSPENSION

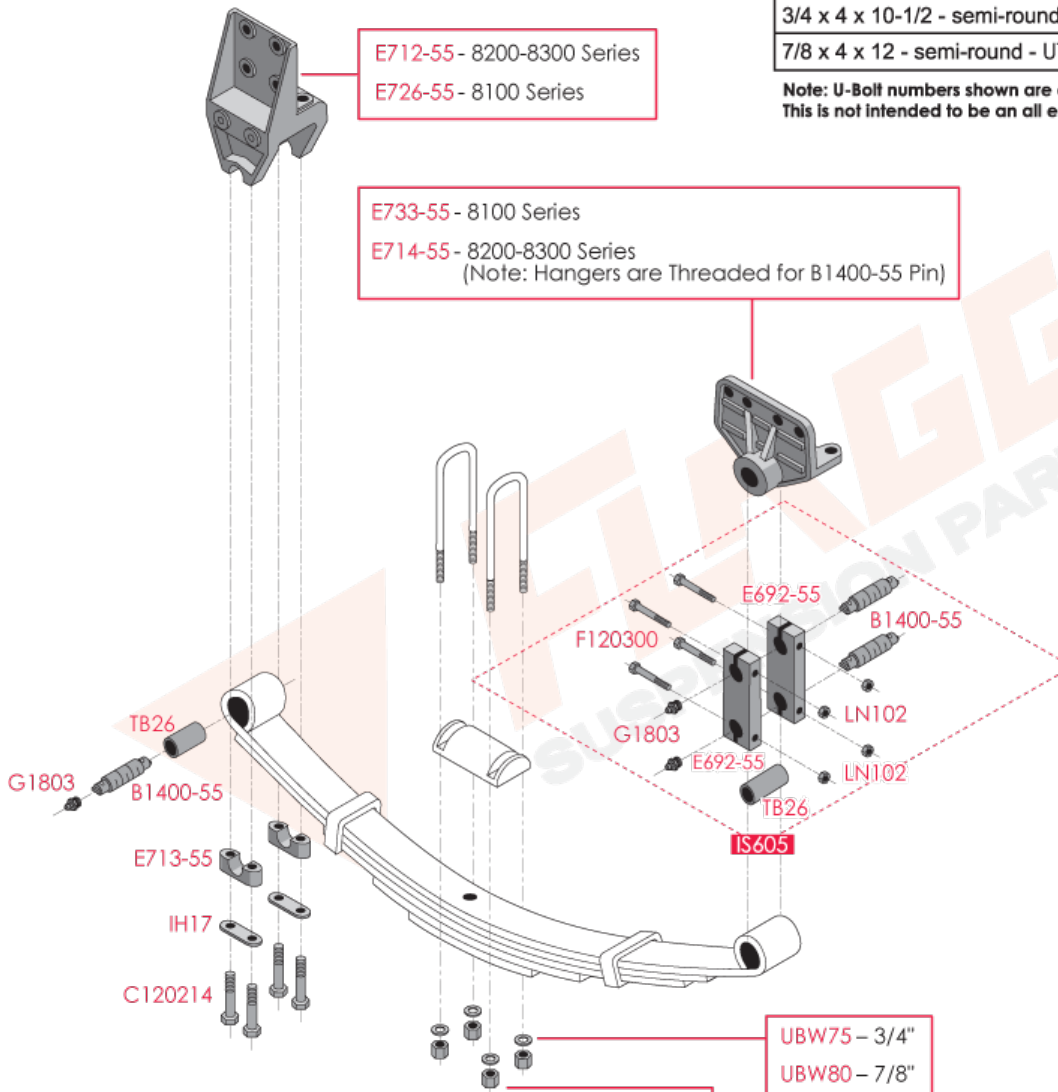
Use this drawing for the following:
8100, 8200, 8300 Series

Common U-Bolt Options

3/4 x 4 x 10-1/2 - semi-round - **UBK162**

7/8 x 4 x 12 - semi-round - **UT-5512SR**

Note: U-Bolt numbers shown are only the most common. This is not intended to be an all encompassing list.



Common Replacement Springs

Description	Part #
8 leaf/2 pad - 9,000 lbs. rating	55-908
9 leaf - 7,200 lbs. rating	55-898
9 leaf - 8,000 lbs. rating	55-858
11 leaf - 10,000 lbs. rating	55-944

© 2013 Triangle Suspension Systems Inc.

Note: Spring part numbers shown above are only the most common. This is not intended to be an all-encompassing list. Careful verification of all dimensions, capacity and specific application installation factors will determine the final selection of the replacement spring.

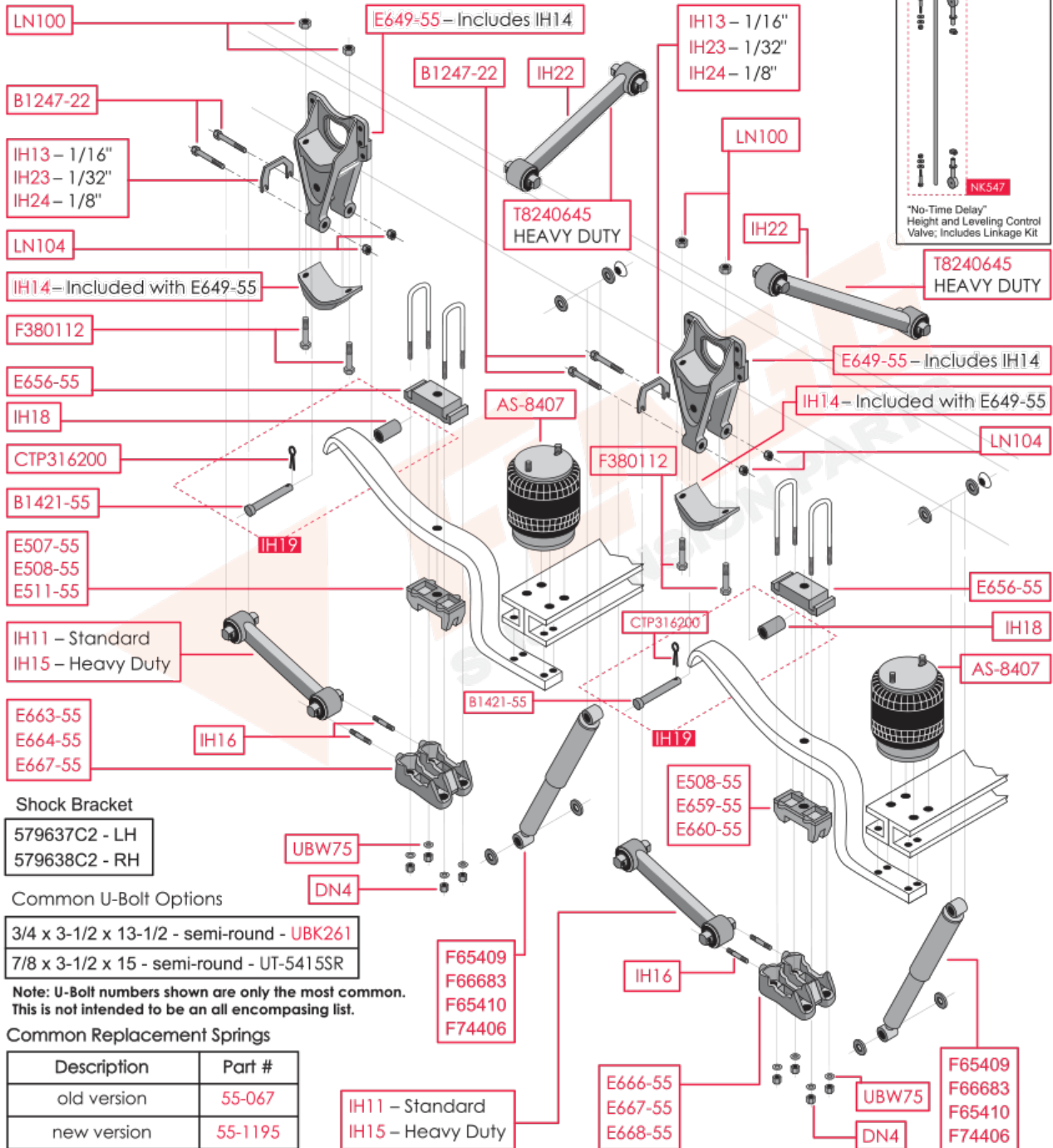
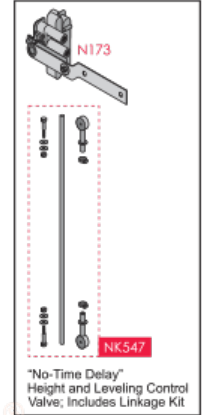
International, Z Beam, Corporate Air Spring, Old Style - Rear, Truck/Tractor Suspension



INTERNATIONAL (Z BEAM) CORPORATE AIR SPRING - OLD STYLE (REAR) TRUCK/TRACTOR SUSPENSION

***BOLD RED NUMBERS REFLECT TRIANGLE PART NUMBERS**
**ITALICIZED BLACK NUMBERS REFLECT OEM NUMBERS (USE FOR REFERENCE ONLY)*

LEVELING VALVE & FLEXIBLE LINK KIT



Note: Spring part numbers shown above are only the most common. This is not intended to be an all-encompassing list. Careful verification of all dimensions, capacity and specific application installation factors will determine the final selection of the replacement spring.

© 2019 Triangle Suspension Systems Inc.

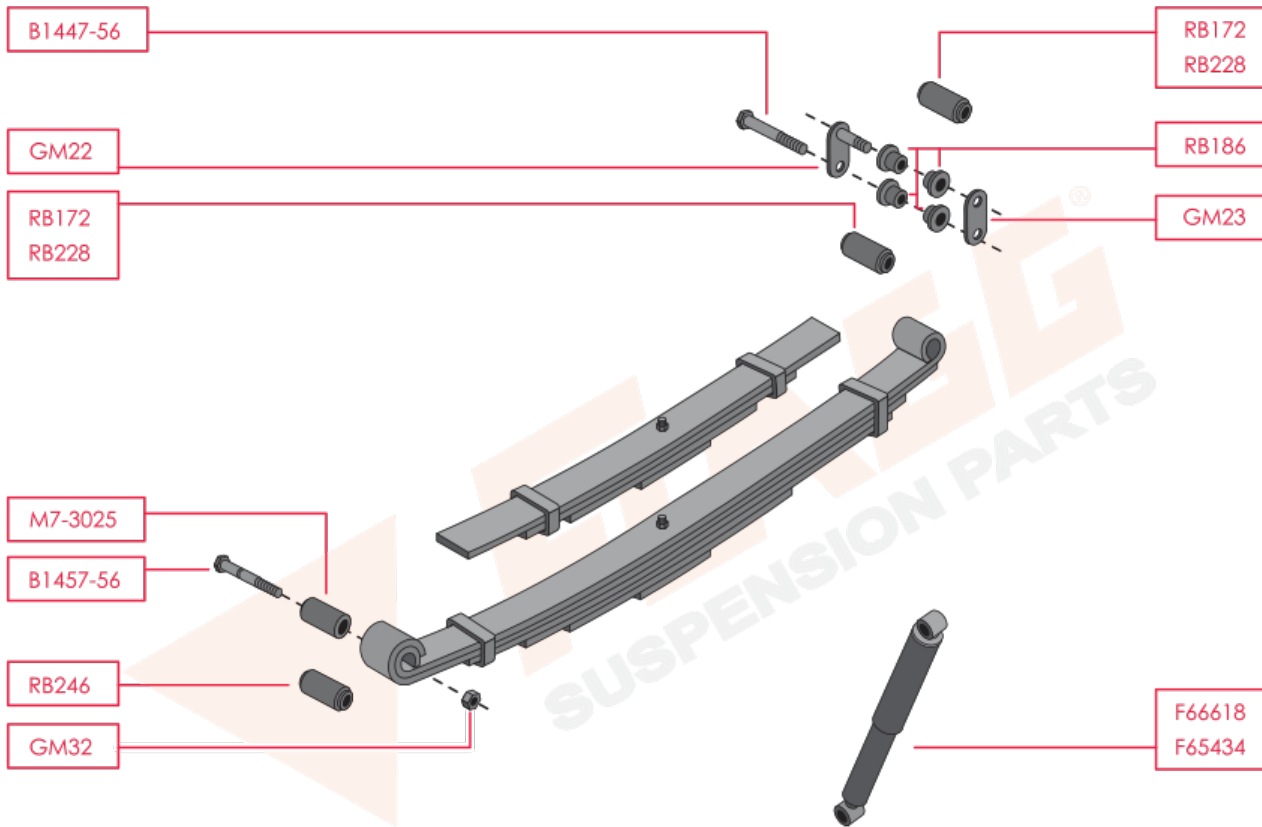
Isuzu, Models NPR, NQR, W35, W4, W45, W55, Rear, Truck/Tractor Suspension



ISUZU NPR, NQR, W35, W4, W45, W55 SPRING TRUCK/TRACTOR SUSPENSION

***BOLD RED NUMBERS REFLECT TRIANGLE PART NUMBERS**

**ITALICIZED BLACK NUMBERS REFLECT OEM NUMBERS (USE FOR REFERENCE ONLY)*



Common Replacement Springs

Description	Part #
4 leaf/1 pad	56-101
4 leaf	56-105
4 leaf	56-109
5 leaf/1 pad	56-185
6 leaf	56-251
6 leaf	56-279

Common Replacement Helper Springs

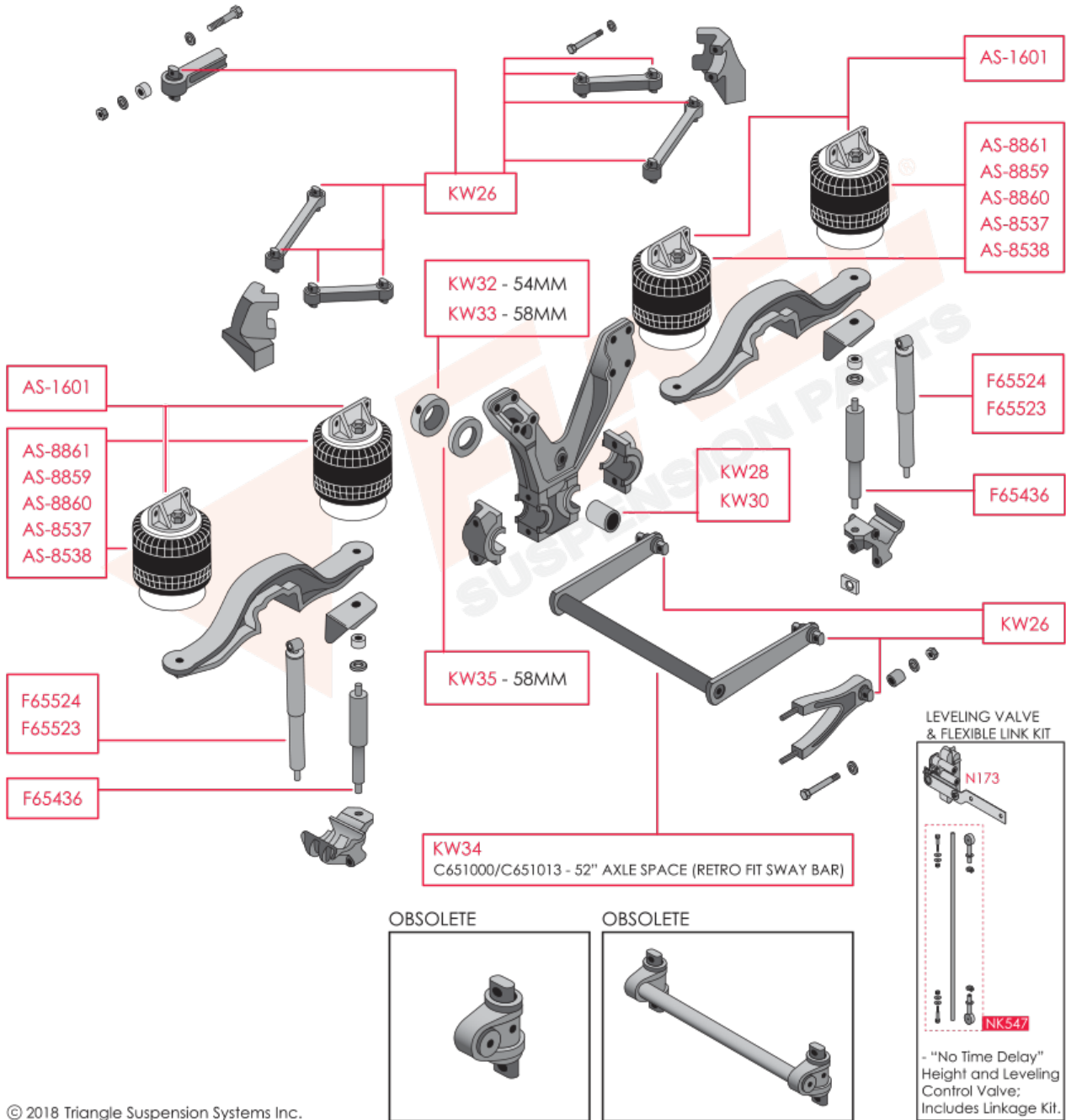
Description	Part #
4 leaf/2 pad	56-115
4 leaf	56-107
1 pad/2 leaf	56-253

© 2018 Triangle Suspension Systems Inc.

Kenworth Airglide - 200/400 Air Ride, Rear, Truck/Tractor Suspension



KENWORTH AIRGLIDE - 200/400 AIR RIDE



© 2018 Triangle Suspension Systems Inc.

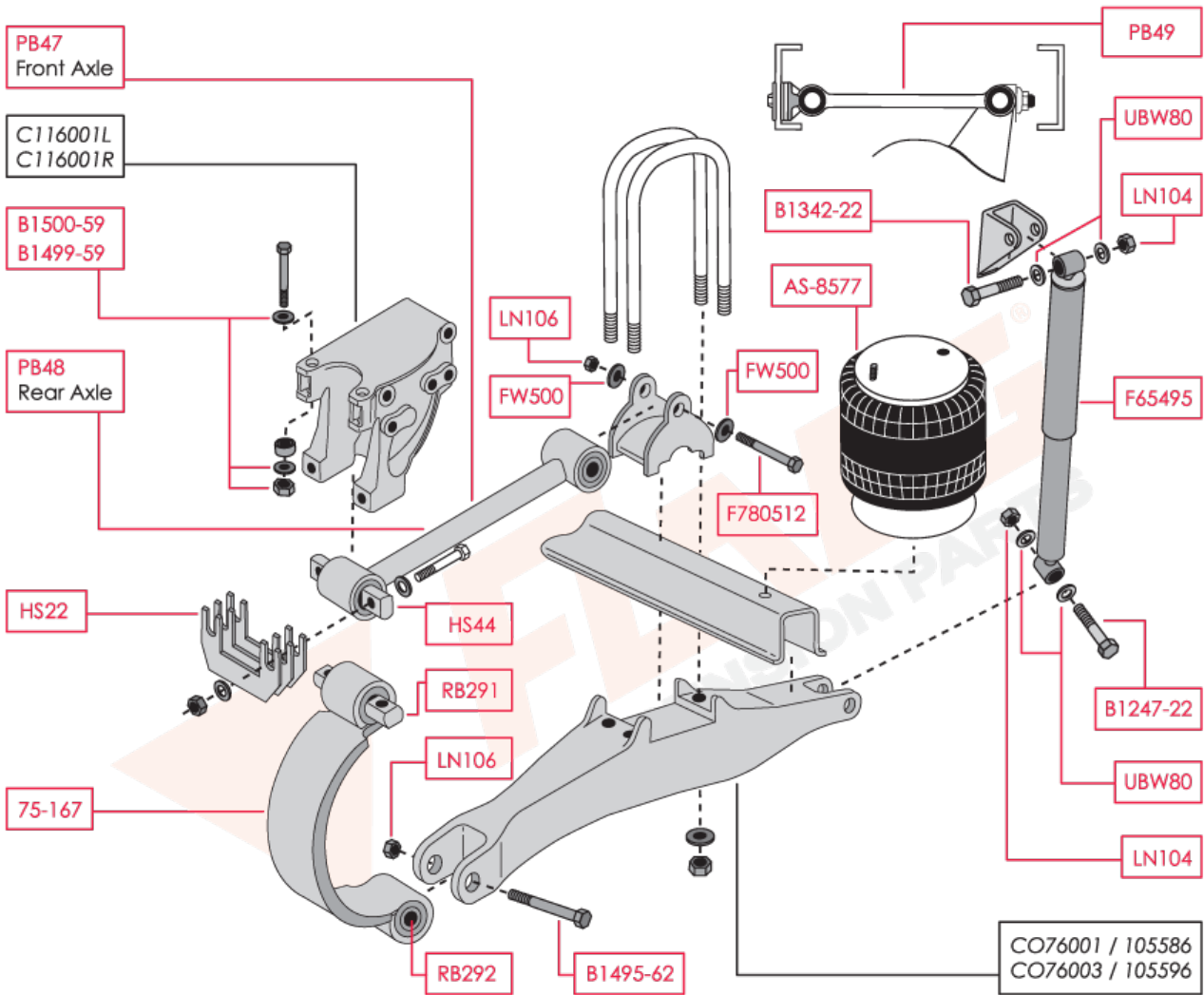
Kenworth, AG 380, Rear, Truck/Tractor Suspension



KENWORTH AG 380 TRUCK/TRACTOR SUSPENSION

***BOLD RED NUMBERS REFLECT TRIANGLE PART NUMBERS**

**ITALICIZED BLACK NUMBERS REFLECT OEM NUMBERS (USE FOR REFERENCE ONLY)*



Common Replacement Springs

Description	Part #
1 leaf	75-167

Common U-Bolt Options

7/8 x 5-1/8 x 14 - square - UT-5715S

Note: U-Bolt numbers shown are only the most common. This is not intended to be an all encompassing list.

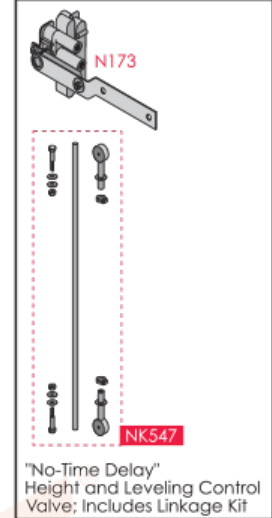
Note: Spring part numbers shown above are only the most common. This is not intended to be an all-encompassing list. Careful verification of all dimensions, capacity and specific application installation factors will determine the final selection of the replacement spring.

Kenworth, AG100 Air Glide "8-bag", Rear, Truck/Tractor Suspension



KENWORTH AIRGLIDE "8-BAG (Rear) TRUCK/TRACTOR SUSPENSION

LEVELING VALVE
& FLEXIBLE LINK KIT



KW1700
Bolt Kit to Install
Cast Aluminum
Center Hanger

KW1600
Bolt Kit to Install
Fabricated Center
Hanger

E844-59

16mm x 180mm

60858

AS-8314

B1493-59 - 120mm
B1499-59 - 150mm

60858

**45537 - Rubber
SB3UB - Urethane**

60858

KW1800
4) 16MM X 290MM

B1500-59 - 160mm long
B1501-59 - 170mm long

E843-59

KW3 - Rubber
KW3UB - Old Style
KW6UB - New Style

E842-59 **FLNC16MM** **FLNC20MM**

E830-59
E841-59 Aluminum; From 1994

**45537 - Rubber
SB3UB - Urethane**

60858

AS-8314

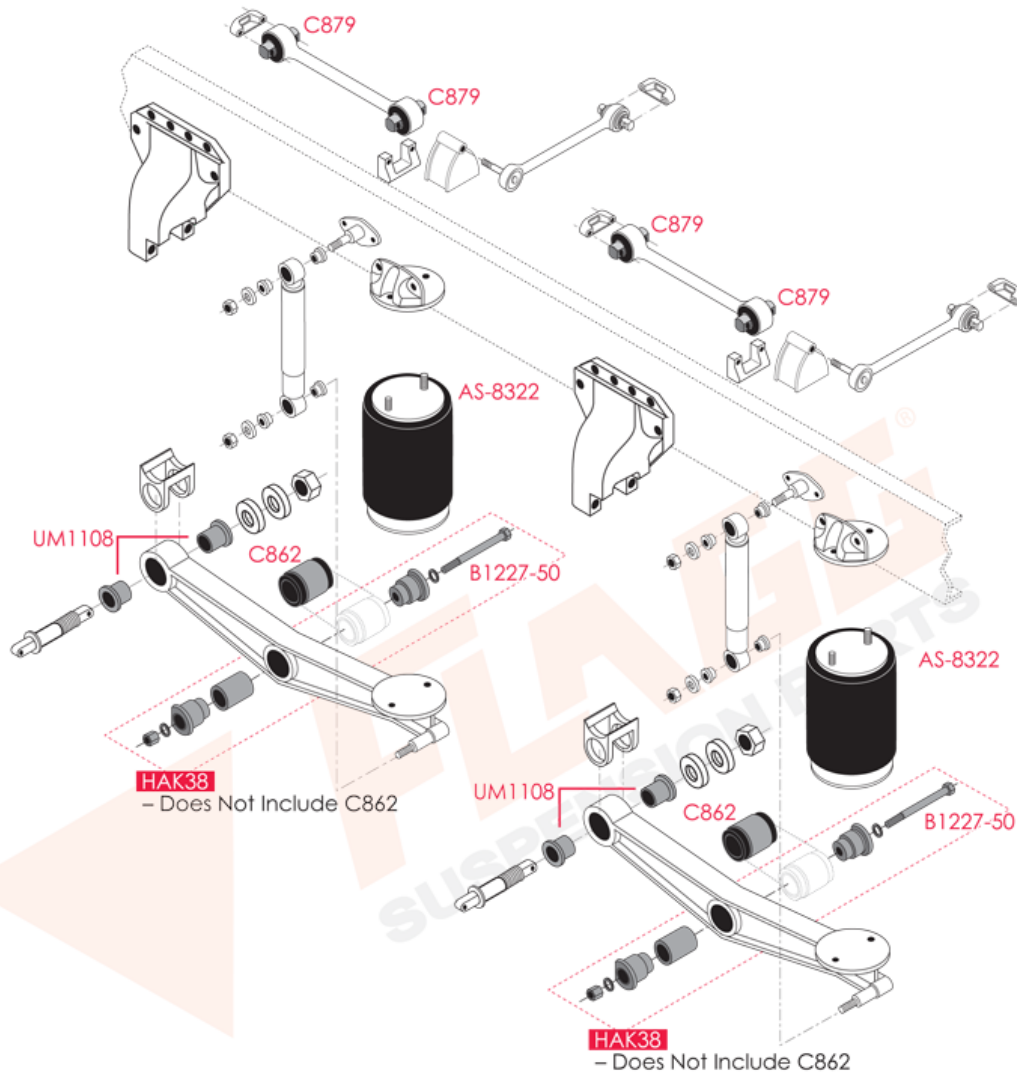
B1493-59 - 120mm
B1499-59 - 150mm

**45537 - Rubber
SB3UB - Urethane**

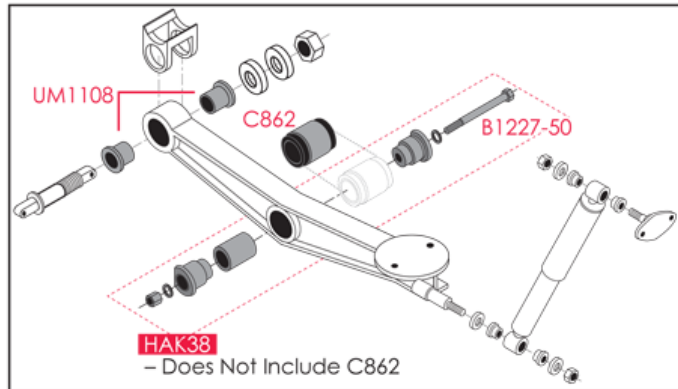
KW15 - 1/32" Thick
KW16 - 1/16" Thick
KW21 - 1/8" Thick
KW22 - 1/4" Thick
KW23 - 1/2" Thick
KW24 - 3/4" Thick
KW25 - 1" Thick

© 2018 Triangle Suspension Systems Inc.

Kenworth, Air Glide "4-Bag" (Obsolete), Rear, Truck/Tractor Suspension



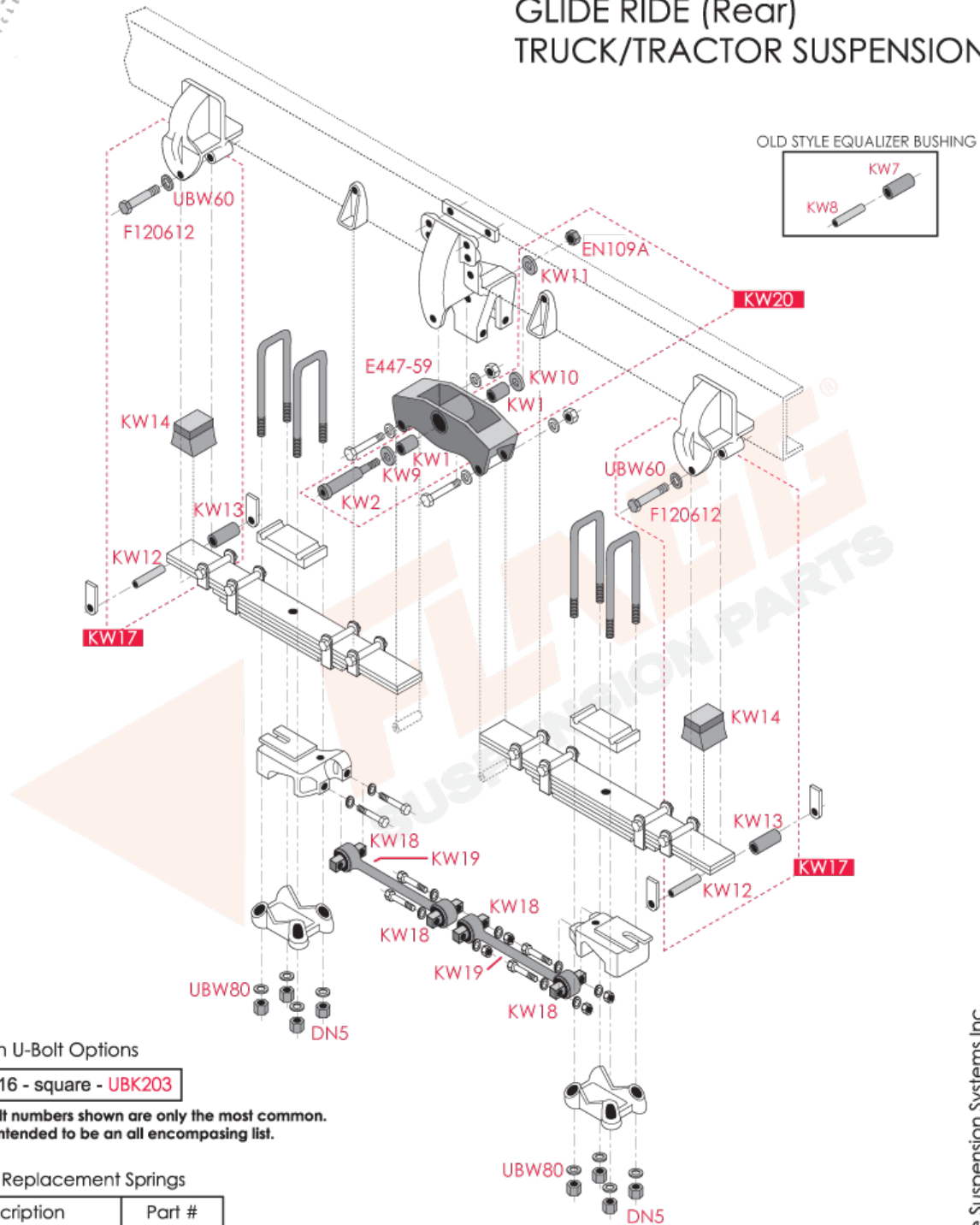
EARLY STYLE - Shock Absorbers Mounted Inboard



Kenworth, Glide Ride, 4-Spring, Rear, Truck/Tractor Suspension



KENWORTH GLIDE RIDE (Rear) TRUCK/TRACTOR SUSPENSION



Common U-Bolt Options

7/8 x 4 x 16 - square - **UBK203**

Note: U-Bolt numbers shown are only the most common. This is not intended to be an all encompassing list.

Common Replacement Springs

Description	Part #
3 leaf, tapered	59-141
6 leaf	59-131

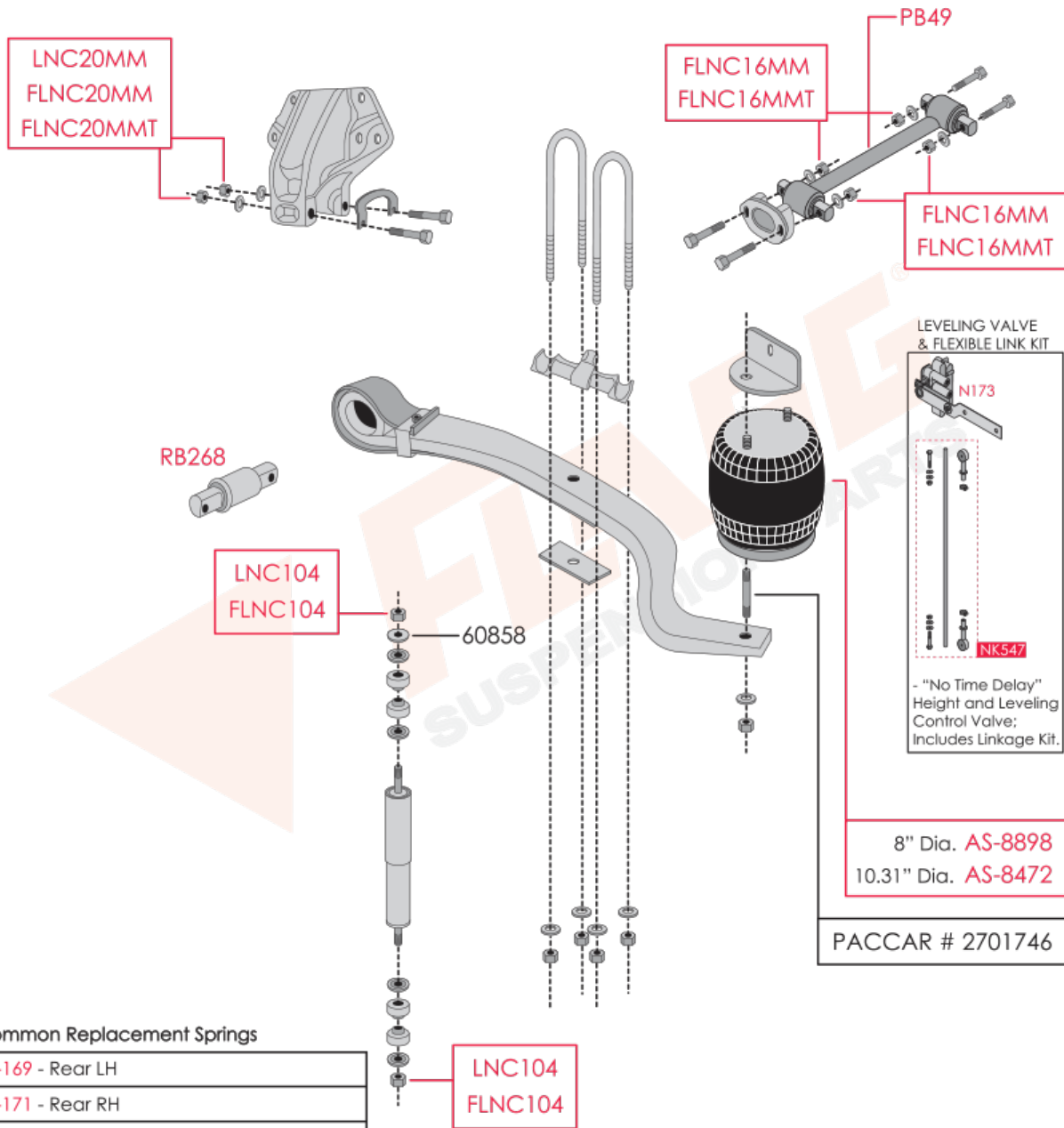
Note: Spring part numbers shown above are only the most common. This is not intended to be an all-encompassing list. Careful verification of all dimensions, capacity and specific application installation factors will determine the final selection of the replacement spring.

© 2015 Triangle Suspension Systems Inc.

Kenworth, New Low Air Glide_210 L/400 L, Rear, Truck/Tractor Suspension



KENWORTH NEW LOW AIR GLIDE 210 L/400 L TRUCK/TRACTOR SUSPENSION



Common Replacement Springs

75-169 - Rear LH
75-171 - Rear RH
75-173 - Front LH - Tandem & Single Axle
75-175 - Front RH - Tandem & Single Axle

Note: Spring part numbers shown above are only the most common. This is not intended to be an all-encompassing list. Careful verification of all dimensions, capacity and specific application installation factors will determine the final selection of the replacement spring.

© 2019 Triangle Suspension Systems Inc.

Kenworth, Steering Axle Models: C500/C550, K100/K300, T-Series, W900/W900B, L & S - Front, Truck/Tractor Suspension



KENWORTH STEERING AXLE MODELS: C500/C550, K100/K300, T-SERIES, W900/W900B, L & S - FRONT TRUCK/TRACTOR SUSPENSION

***BOLD RED NUMBERS REFLECT TRIANGLE PART NUMBERS**

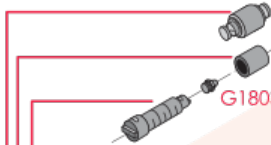
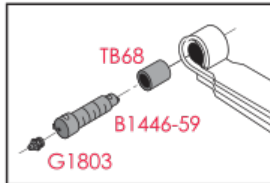
**ITALICIZED BLACK NUMBERS REFLECT OEM NUMBERS (USE FOR REFERENCE ONLY)*

[* Click here for a listing of Common Replacement Springs](#)

Common U-Bolt Options

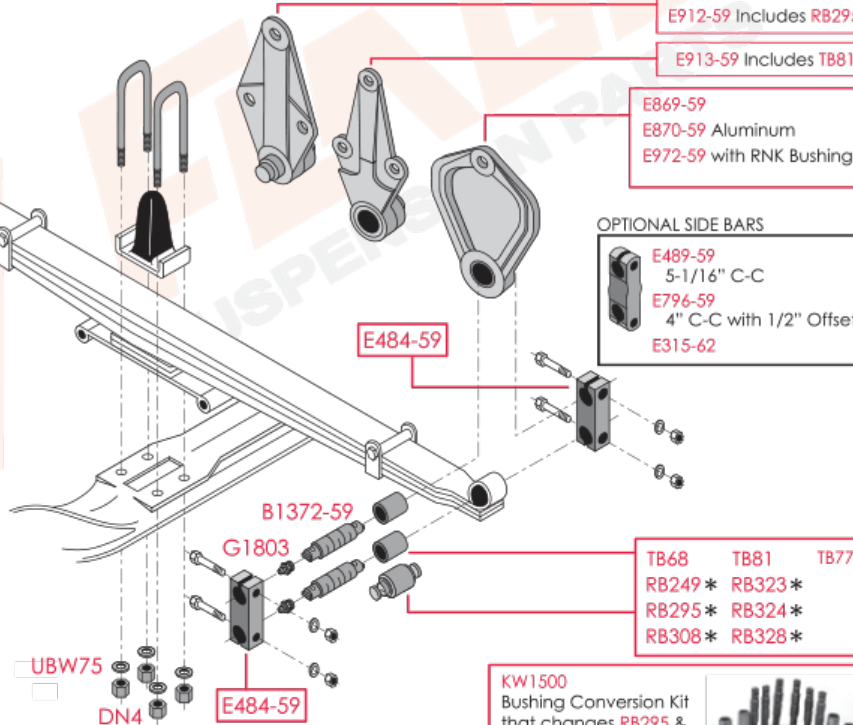
3/4 x 4 x 9 - square - UBK187
3/4 x 4 x 11 - square - UBK188
3/4 x 4 x 12 - square - UBK188
7/8 x 4 x 11-1/2 - square - UBK200
7/8 x 4 x 13 - square - UBK202

OPTIONAL SPRING PIN - for West Coast



B1563-59
B1363-59
B1490-59 Front & Rear
B1542-59 Front & Rear

TB68 **TB81** **TB77**
RB249* **RB323***
RB295* **RB324***
RB308* **RB328***



E912-59 Includes **RB295**

E913-59 Includes **TB81**

E869-59
E870-59 Aluminum
E972-59 with RNK Bushing

OPTIONAL SIDE BARS

E489-59
5-1/16" C-C
E796-59
4" C-C with 1/2" Offset
E315-62

TB68 **TB81** **TB77**
RB249* **RB323***
RB295* **RB324***
RB308* **RB328***

KW1500
Bushing Conversion Kit
that changes **RB295** &
RB328 to Threaded Pins
& Bushings



* For Springs with Non-greasable Rubber Bushings.

Suspension Application Guide

Table of Contents by Vehicle Application Type

~~ Mack Truck/Tractor Suspension ~~	Page
Mack, Airtek, Vehicles built with Steertek Axle and pre 2007 Engine, Front	273
Mack, Airtek, Vehicles built with Steertek NXT Axle after July 2011, Front	275
Mack, Airtek, Vehicles built with Steertek NXT Axle and post 2007 Engine, Prior to 2011, Front	277
Mack, Models CH, CL, CX, RB Series, 3-1/2" Double Eye Springs, Front	279
Mack, Models CV, F, FL, FS, RD, RL, RS, RWL, RWS, U, MR, R, Double Eye Springs, Front	280
Mack, Models DM, B, R, U, CH, MH, Single Axle Eye and Slipper Spring, Rear	281
Mack, Models DM, B, R, U, CH, MH, Single Axle with Torque Arm, Rear	282
Mack, Models DM, FL, FS, MB, MC, MR, R/RB, Front	283
Mack, Models FL, FS, RL, RS, Multi-Leaf, Double Eye Springs, Front	284
Mack, Models MH, RW, RWI, 4" Wide Springs with Double Eye, Front	285
Mack, Models Pinnacle, Granite, Titan, Vision, Front	286
Mack, Models SS 34K to 38K with 4" wide Camel Back Springs with Rubber Trunnions, 50" Axle Centers, Rear	287
Mack, Models SS 40K to 50K with Bronze Trunnions and 4" wide Springs, 38"- 55" Axle Centers, Rear	288
Mack, Models SW, SWW Series, Beam Only - Rear	289
Mack, SC Series Cantilever, Rear	290
Mack, SS 55, 58, 65, Models with 5" Spring, Rear	291

Mack, Airtek, Vehicles built with Steertek Axle and pre 2007 Engine, Front, Truck/Tractor Suspension



MACK

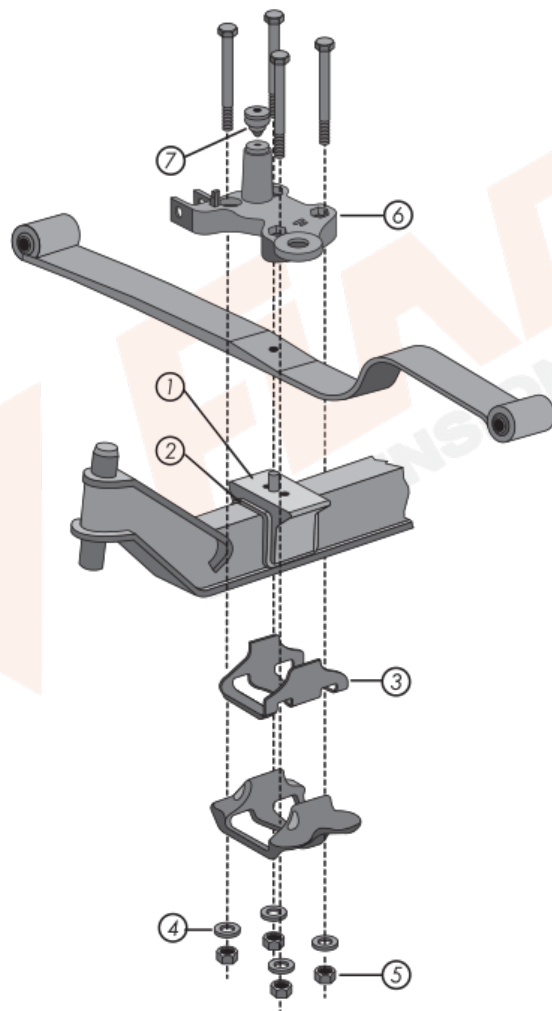
AIRTEK

VEHICLES BUILT W/STEEERTEK AXLE AND PRE 2007 ENGINE
TRUCK/TRACTOR SUSPENSION

***BOLD RED NUMBERS REFLECT TRIANGLE PART NUMBERS**

**ITALICIZED BLACK NUMBERS REFLECT OEM NUMBERS (USE FOR REFERENCE ONLY)*

FOR PART NUMBERS,
SEE **TABLE PAGE**.



Mack, Airtek, Vehicles built with Steertek Axle and pre 2007 Engine, TABLE PAGE

**MACK
AIRTEK
VEHICLES BUILT W/STEERTEK AXLE AND POST 2007 ENGINE,
PRIOR TO 2011
TRUCK/TRACTOR SUSPENSION**

①	59952-017	TOP AXLE WRAP
②	60508-000	TOP AXLE WRAP LINER
③	59845-000S	BOTTOM AXLE WRAP LINER
④	58246-009	M20 FLAT WASHER
⑤	65072-001	M20 X 2.5-6H LOCKNUT
⑥	69659-001, 266 69660-001, 300	FRAME RAIL
⑦	64080-000	RUBBER AXLE STOP

Mack, Airtek, Vehicles built with Steertek NXT Axle after July 2011, Front, Truck/Tractor Suspension

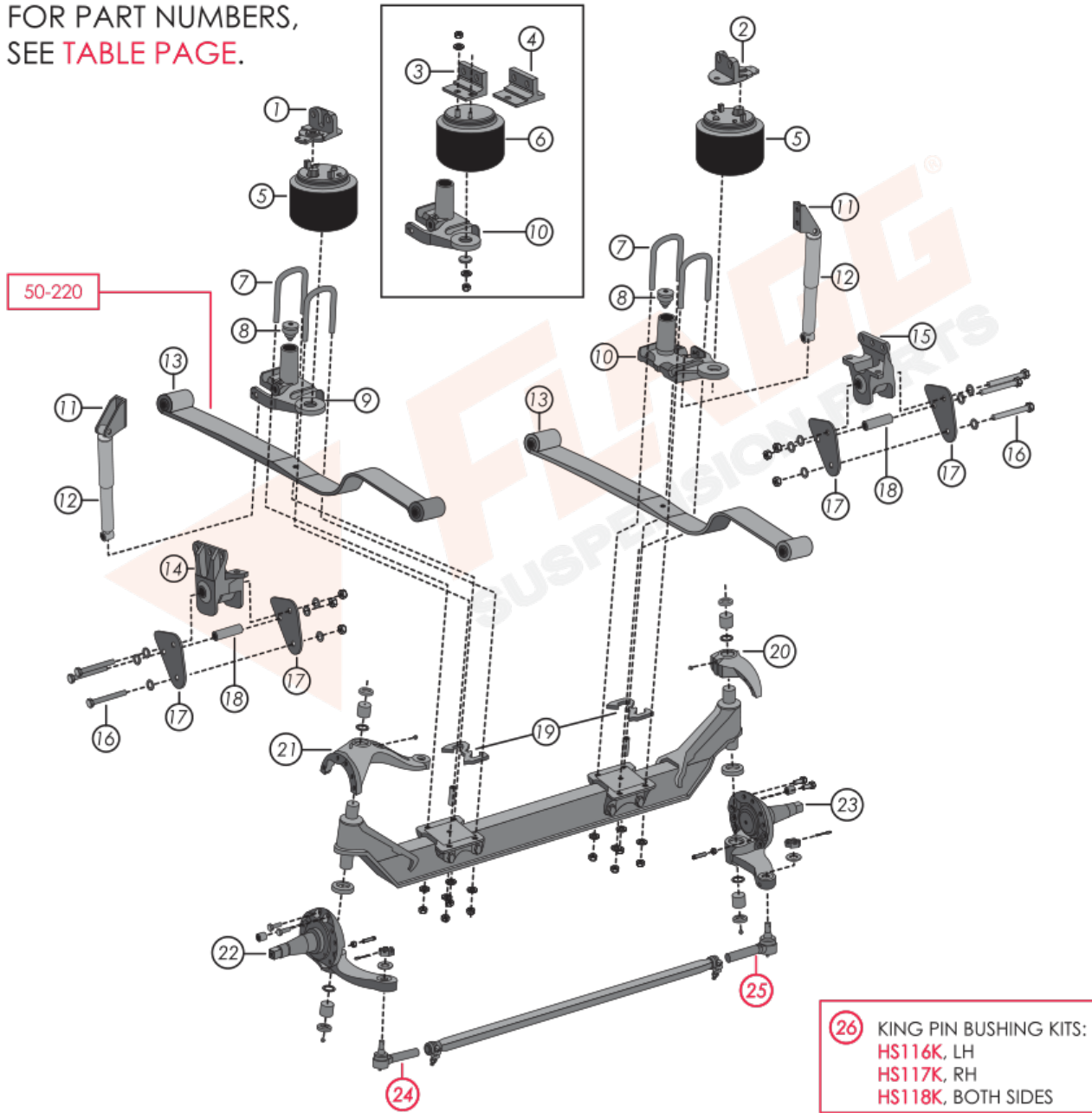


MACK AIRTEK VEHICLES BUILT W/STEEERTEK NXT AXLE AFTER JULY 2011 TRUCK/TRACTOR SUSPENSION

***BOLD RED NUMBERS REFLECT TRIANGLE PART NUMBERS**

**ITALICIZED BLACK NUMBERS REFLECT OEM NUMBERS (USE FOR REFERENCE ONLY)*

FOR PART NUMBERS,
SEE **TABLE PAGE**.



Mack, Airtek, Vehicles built with Steertek NXT Axle after July 2011, TABLE PAGE

MACK AIRTEK VEHICLES BUILT W/STEEERTEK NXT AXLE AFTER JULY 2011 TRUCK/TRACTOR SUSPENSION

① 60757-000 266 60976-000 300	RAIL	⑮ 68548-002, 266 68554-002, 300	FRAME RAIL
② 60757-000 256 60976-000 300	RAIL	⑯ 58258-029	BOLTS
③ 60738-002 300	RAIL	⑰ 64794-000	SHACKLE PLATE
④ 60738-001 266	RAIL, 13.2 - 14.6K	⑱ 60631-002	SHACKLE STOP SPACER
⑤ 66349-002	AIR SPRING	⑲ 64318-028	AXLE SPACER, 366 MM RIDE HEIGHT, 28 MM
⑥ 60716-002	AIR SPRING	⑳ 60903-411 60903-413	UPPER STEERING KNUCKLE ASSEMBLY, LH 338 MM RIDE HEIGHT, 366 RIDE HEIGHT
⑦ 65663-005, 338MM RIDE HEIGHT 65663-006, 366MM RIDE HEIGHT	U-BOLT	㉑ 60904-402	UPPER STEERIN KNUCKLE ASSEMBLY, RH 338 MM RIDE HEIGHT, 366 RIDE HEIGHT
⑧ 64080-000	RUBBER AXLE STOP	㉒ 58900-407, 190 ACKERMAN STD HUB 58900-409, 190 ACKERMAN STD HUB 58900-417, 190 ACKERMAN UNITIZED HUB 58900-419, 190 ACKERMAN UNITIZED HUB	LOWER STEERING KNUCKLE ASSEMBLY, LH
⑨ 69659-001, 266 69660-001, 300	FRAME RAIL	㉓ 58900-408, 190 ACKERMAN STD HUB 58900-410, 190 ACKERMAN STD HUB 58900-418, 190 ACKERMAN UNITIZED HUB 58900-420, 190 ACKERMAN UNITIZED HUB	LOWER STEERING KNUCKLE ASSEMBLY, RH
⑩ 69659-002, 266 69660-002, 300	FRAME RAIL	㉔ ES3177L	TIE ROD END
⑪ 59423-008	UPPER SHOCK BRACKET	㉕ ES3176R	TIE ROD END
⑫ 64838-003	SHOCK ABSORBER	㉖ KING PIN BUSHING KITS: HS116K, LH HS117K, RH HS118K, BOTH SIDES	
⑬ 53216-000	SPRING		
⑭ 68548-001, 266 68554-000, 300	FRAME RAIL		

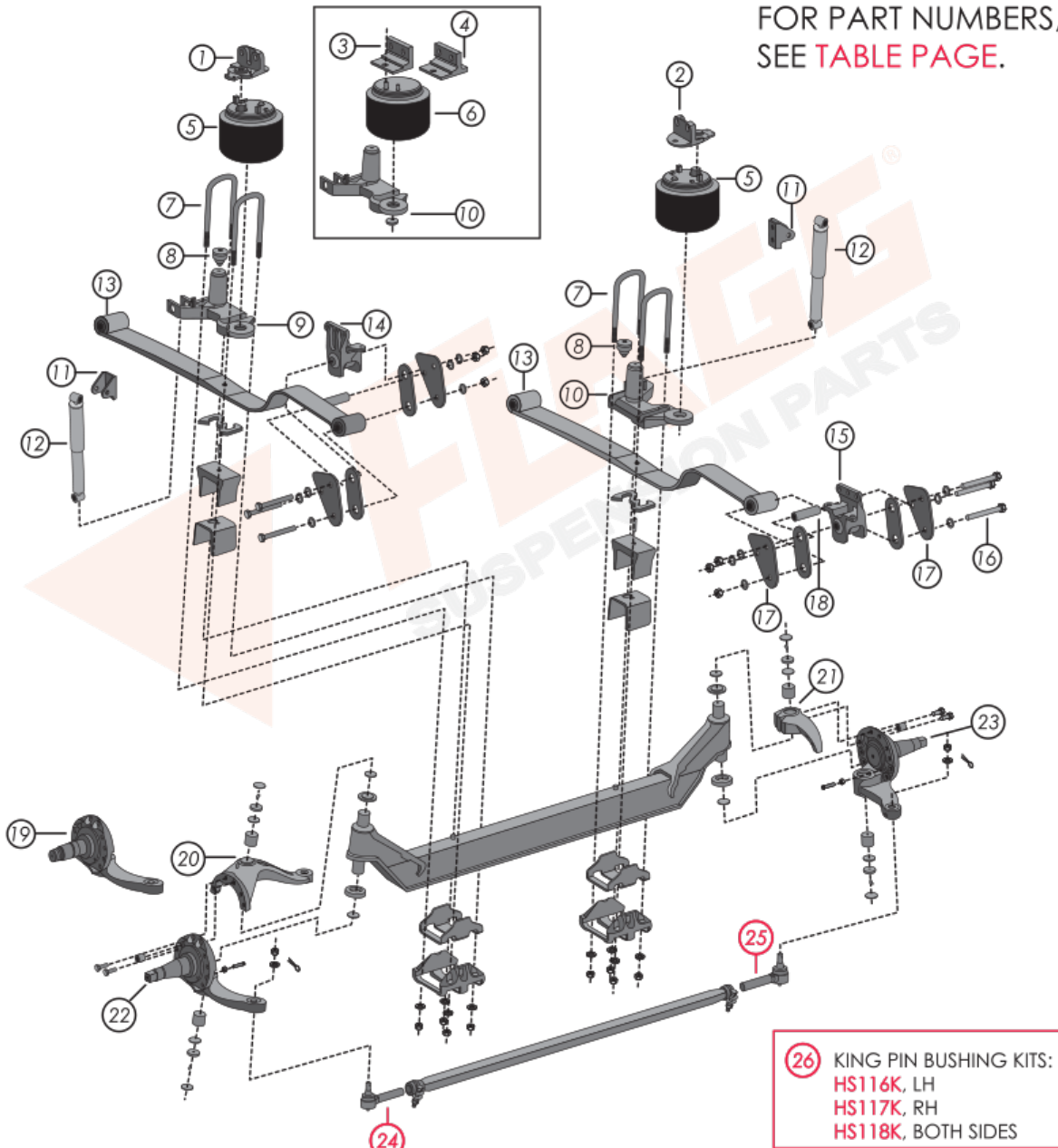
Mack, Airtek, Vehicles built with Steertek NXT Axle and post 2007 Engine, Prior to 2011, Front, Truck/Tractor Suspension



MACK
AIRTEK
 VEHICLES BUILT W/STEEERTEK AXLE AND POST 2007 ENGINE,
 PRIOR TO 2011
 TRUCK/TRACTOR SUSPENSION

***BOLD RED NUMBERS REFLECT TRIANGLE PART NUMBERS**
**ITALICIZED BLACK NUMBERS REFLECT OEM NUMBERS (USE FOR REFERENCE ONLY)*

FOR PART NUMBERS,
 SEE **TABLE PAGE.**



Mack, Airtek, Vehicles built with Steertek NXT Axle and post 2007 Engine, Prior to 2011, TABLE PAGE

MACK

AIRTEK

VEHICLES BUILT W/STEEERTEK AXLE AND POST 2007 ENGINE,

PRIOR TO 2011

TRUCK/TRACTOR SUSPENSION

① 60757-000 266 60976-000 300	RAIL	⑮ 68548-002, 266 68554-002, 300	FRAME RAIL
② 60757-000 256 60976-000 300	RAIL	⑯ 58258-029	BOLTS
③ 60738-002 300	RAIL	⑰ 64794-000	SHACKLE PLATE
④ 60738-001 266	RAIL, 13.2 - 14.6K	⑱ 60631-002	SHACKLE STOP SPACER
⑤ 66349-002	AIR SPRING	⑲ 64318-028	AXLE SPACER, 366 MM RIDE HEIGHT, 28 MM
⑥ 60716-002	AIR SPRING	⑳ 60903-411 60903-413	UPPER STEERING KNUCKLE ASSEMBLY, LH 338 MM RIDE HEIGHT, 366 RIDE HEIGHT
⑦ 65663-005, 338MM RIDE HEIGHT 65663-006, 366MM RIDE HEIGHT	U-BOLT	㉑ 60904-402	UPPER STEERIN KNUCKLE ASSEMBLY, RH 338 MM RIDE HEIGHT, 366 RIDE HEIGHT
⑧ 64080-000	RUBBER AXLE STOP	㉒ 58900-407, 190 ACKERMAN STD HUB 58900-409, 190 ACKERMAN STD HUB 58900-417, 190 ACKERMAN UNITIZED HUB 58900-419, 190 ACKERMAN UNITIZED HUB	LOWER STEERING KNUCKLE ASSEMBLY, LH
⑨ 69659-001, 266 69660-001, 300	FRAME RAIL	㉓ 58900-408, 190 ACKERMAN STD HUB 58900-410, 190 ACKERMAN STD HUB 58900-418, 190 ACKERMAN UNITIZED HUB 58900-420, 190 ACKERMAN UNITIZED HUB	LOWER STEERING KNUCKLE ASSEMBLY, RH
⑩ 69659-002, 266 69660-002, 300	FRAME RAIL	㉔ ES3177L	TIE ROD END
⑪ 59423-008	UPPER SHOCK BRACKET	㉕ ES3176R	TIE ROD END
⑫ 64838-003	SHOCK ABSORBER	㉖ KING PIN BUSHING KITS: HS116K, LH HS117K, RH HS118K, BOTH SIDES	
⑬ 53216-000	SPRING		
⑭ 68548-001, 266 68554-000, 300	FRAME RAIL		

Mack, Models CH, CL, CX, RB Series, 3-1/2" Double Eye Springs, Front, Truck/Tractor Suspension



MACK

CH SERIES - FRONT, MODELS CH, CL, CX, RB SERIES,
3-1/2" DOUBLE EYE SERIES
TRUCK/TRACTOR SUSPENSION

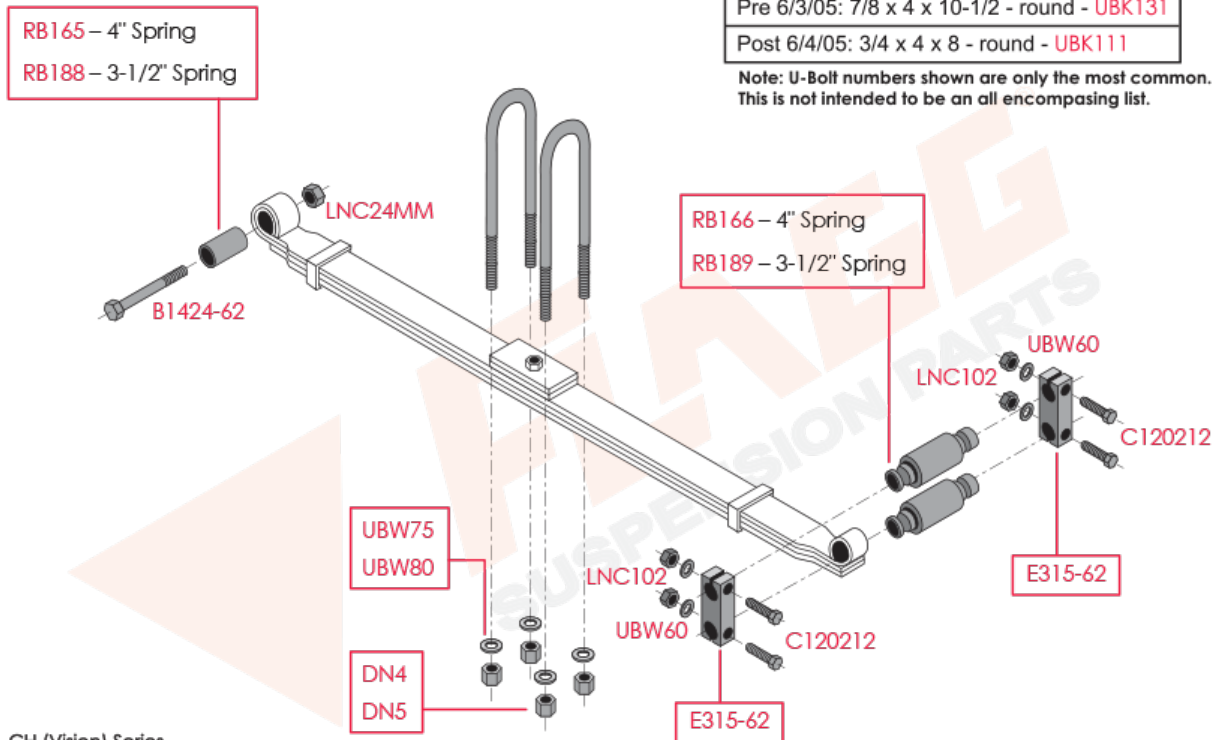
***BOLD RED NUMBERS REFLECT TRIANGLE PART NUMBERS**

**ITALICIZED BLACK NUMBERS REFLECT OEM NUMBERS (USE FOR REFERENCE ONLY)*

Common U-Bolt Options

3/4 x 3-1/2 x 10-1/2 - round - UBK109
3/4 x 3-1/2 x 12-1/2 - round - UBK110
Pre 6/3/05: 7/8 x 4 x 10-1/2 - round - UBK131
Post 6/4/05: 3/4 x 4 x 8 - round - UBK111

Note: U-Bolt numbers shown are only the most common. This is not intended to be an all encompassing list.



CX & CH (Vision) Series Common Replacement Springs

Description	Part #
pad/2 leaf/pad, 5,400 lbs. rating	62-1044
2 pads/3 leaf, 5,400 lbs. rating	62-984
pad/3 leaf, 5,400 lbs. rating	62-968
pad/3 leaf	62-968HD

CT (Granite) Series Common Replacement Springs

Description	Part #
2 pads/3 leaf, 9,300 lbs. rating	62-1104

CL Series Common Replacement Springs

Description	Part #
pad/3 leaf, 7200 lbs. rating	62-1016
pad/3 leaf, 9300 lbs. rating	62-1012

Common Replacement Springs

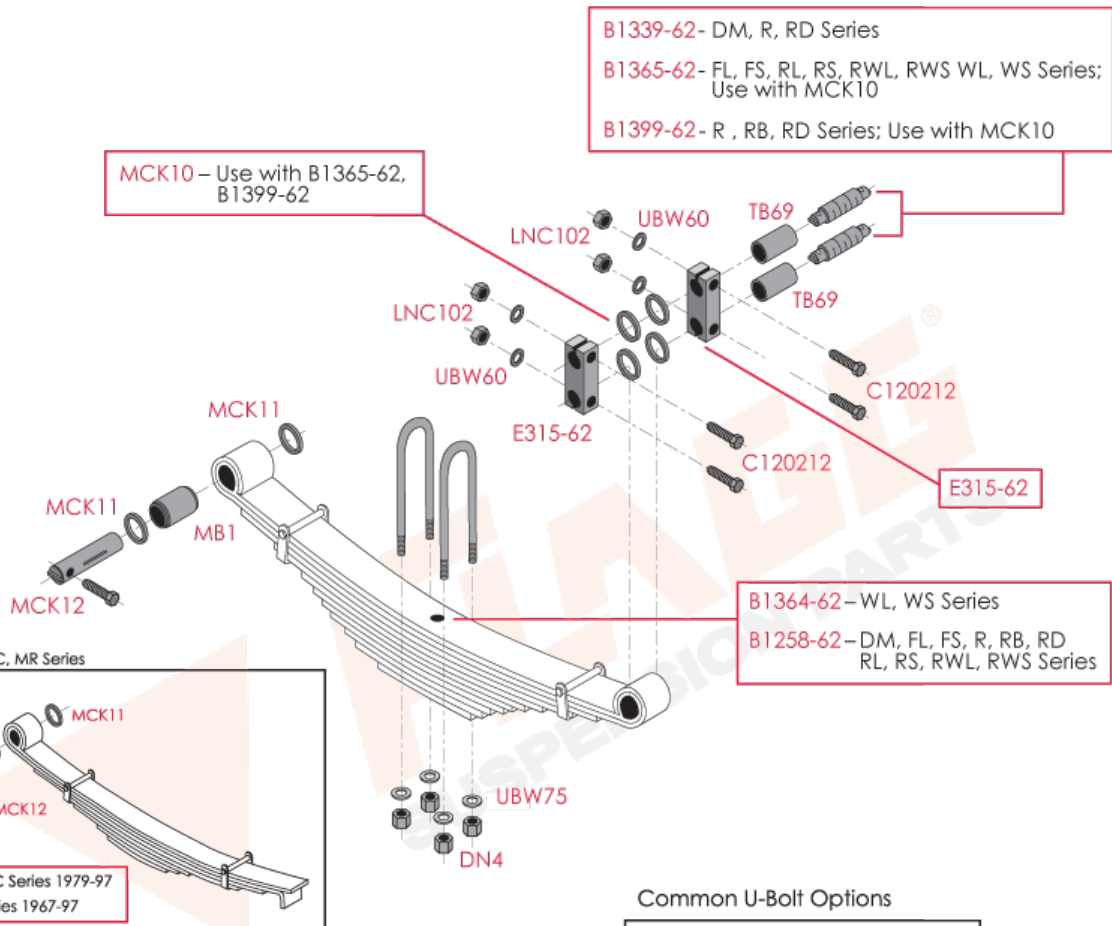
Description	Part #
3 pads/4 leaf, 10,500 lbs. rating	62-1108

Note: Spring part numbers shown above are only the most common. This is not intended to be an all-encompassing list. Careful verification of all dimensions, capacity and specific application installation factors will determine the final selection of the replacement spring.

Mack, Models CV, F, FL, FS, RD, RL, RS, RWL, RWS, U, MR, R, Double Eye Springs, Front, Truck/Tractor Suspension



MACK DM, FL, FS, MB, MC, MR, R (FRONT) TRUCK/TRACTOR SUSPENSION



SPRING PIN - DM, MC, MR Series

Springs with two eyes
Common Replacement Springs

Description	Part #
pad/3 leaf: 4,700 lbs. rating	62-770
pad/3 leaf: 5,400 lbs. rating	62-778
pad/3 leaf: 5,400 lbs. rating	62-830
pad/3 leaf: 6,300 lbs. rating	62-838
pad/3 leaf: 8,100 lbs. rating	62-772
pad/3 leaf: 8,100 lbs. rating	62-832
pad/4 leaf	62-858
9 leaf	62-988
12 leaf	62-882
16 leaf	62-876

Springs with one eye
Common Replacement Springs

Description	Part #
pad/4 leaf	62-856
8 leaf	62-806
10 leaf	62-814
11 leaf	62-804
13 leaf	62-808
13 leaf	62-890
14 leaf	62-812

Common U-Bolt Options

3/4 x 3-1/2 x 12 - square - **UBK186**

7/8 x 3-1/2 x 14 - square - **UBK196**

Note: U-Bolt numbers shown are only the most common. This is not intended to be an all encompassing list.

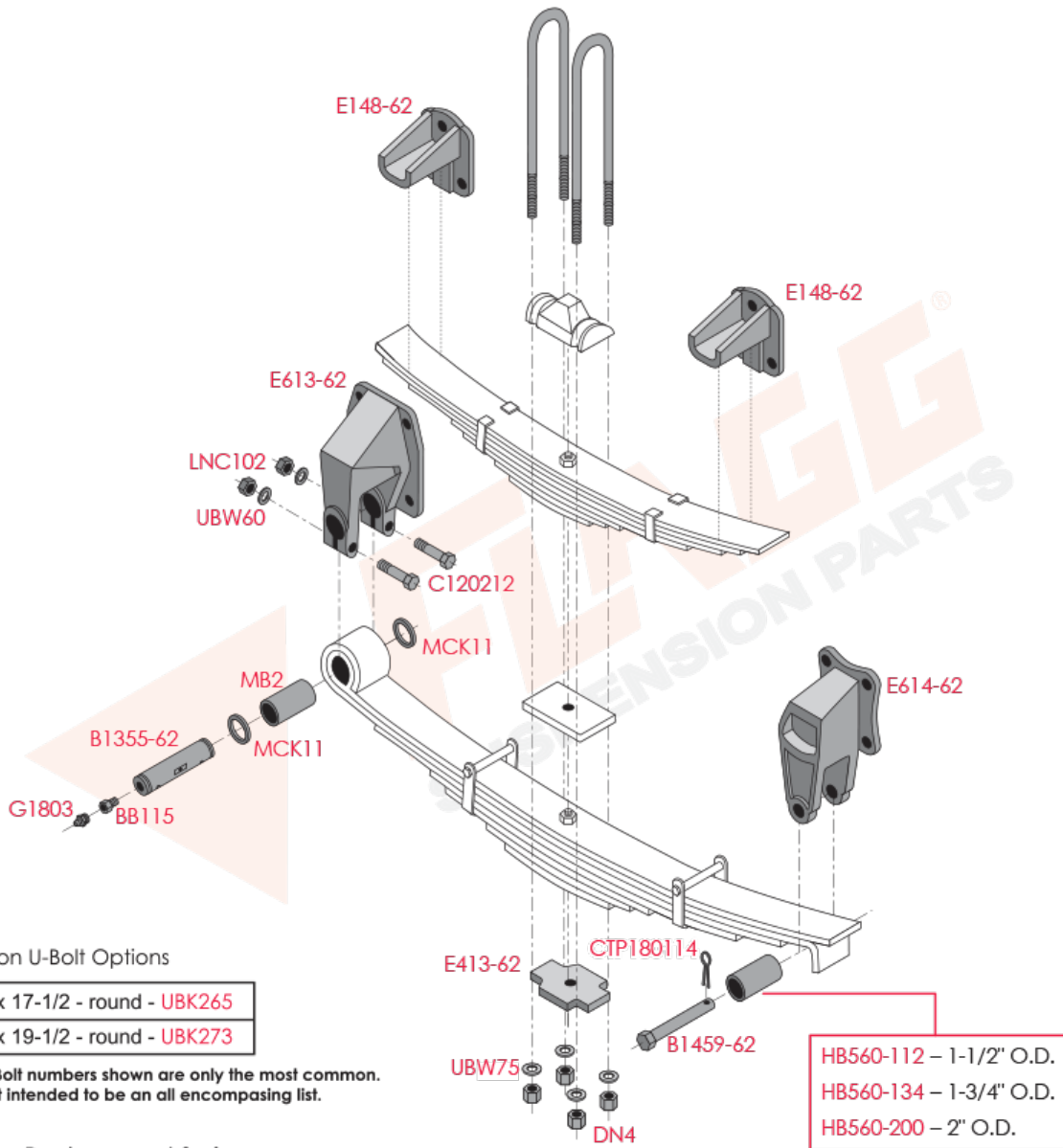
© 2013 Triangle Suspension Systems Inc.

Note: Spring part numbers shown above are only the most common. This is not intended to be an all-encompassing list. Careful verification of all dimensions, capacity and specific application installation factors will determine the final selection of the replacement spring.

Mack, Models DM, B, R, U, CH, MH, Single Axle Eye and Slipper Spring, Rear, Truck/Tractor Suspension



MACK DM SERIES - SINGLE AXLE - REAR - SINGLE EYE TRUCK/TRACTOR SUSPENSION



Common U-Bolt Options

7/8 x 3 x 17-1/2 - round - **UBK265**

7/8 x 3 x 19-1/2 - round - **UBK273**

Note: U-Bolt numbers shown are only the most common. This is not intended to be an all encompassing list.

Common Replacement Springs

Description	Part #
9 leaf, 9,700 lbs. rating	62-179
9 leaf, berlin eye, 11,500 lbs. rating	62-199
11 leaf, 11,800 lbs. rating	62-187

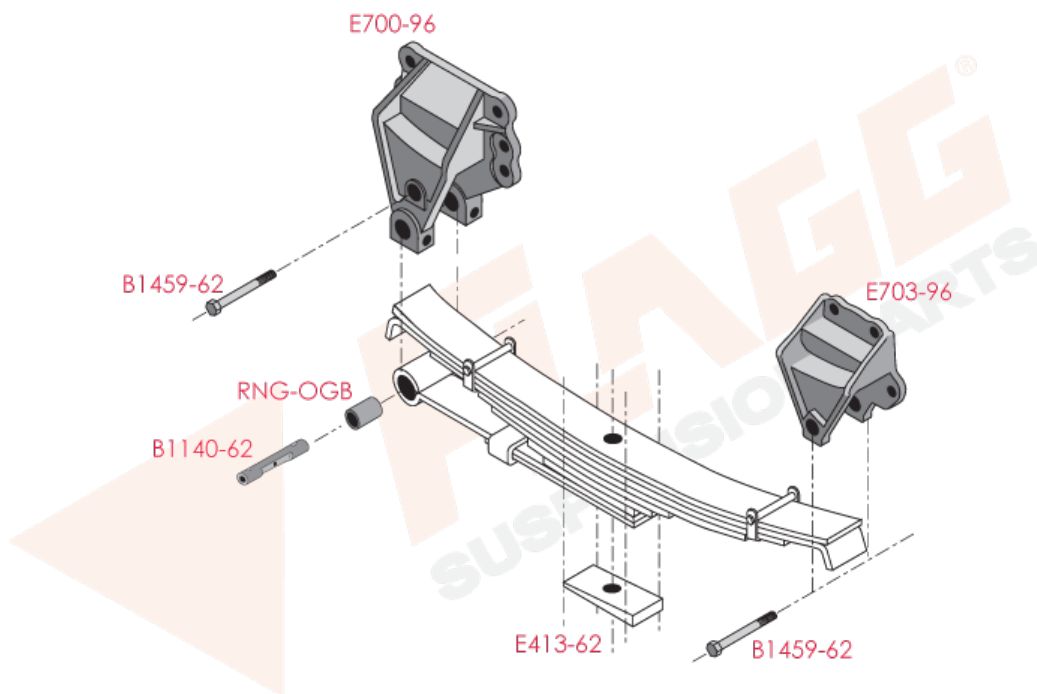
© 2018 Triangle Suspension Systems Inc.

Note: Spring part numbers shown above are only the most common. This is not intended to be an all-encompassing list. Careful verification of all dimensions, capacity and specific application installation factors will determine the final selection of the replacement spring.

Mack, Models DM, B, R, U, CH, MH, Single Axle with Torque Arm, Rear, Truck/Tractor Suspension



MACK DM SERIES - SINGLE AXLE - REAR WITH TORQUE ARM TRUCK/TRACTOR SUSPENSION



Common U-Bolt Options

7/8 x 3 x 17-1/2 - round - **UBK265**

7/8 x 3 x 19-1/2 - round - **UBK273**

Note: U-Bolt numbers shown are only the most common. This is not intended to be an all encompassing list.

Common Replacement Springs

Description	Part #
15 leaf: 11,500 lb. rating	62-963
15 leaf: 13,000 lb. rating	62-219

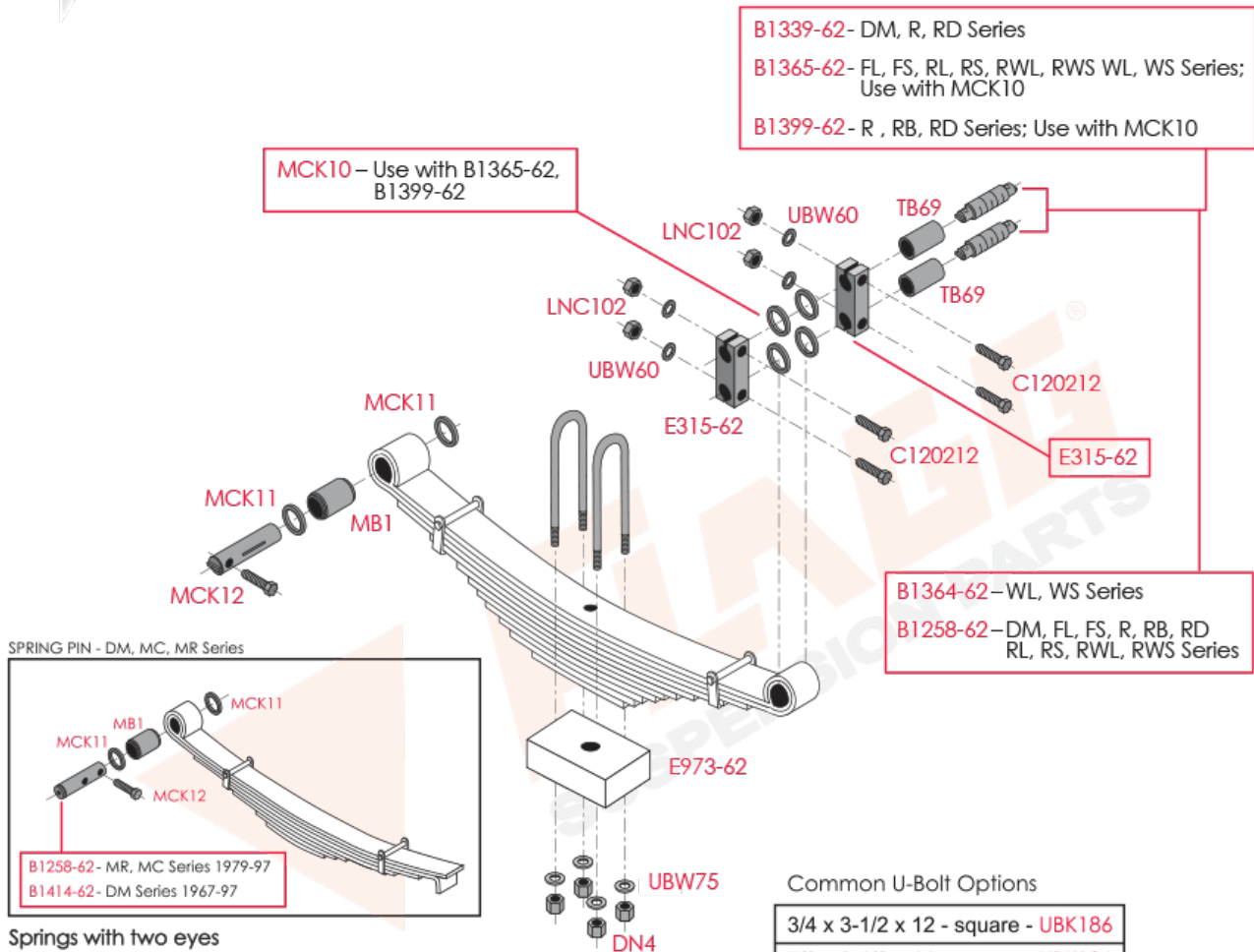
© 2013 Triangle Suspension Systems Inc.

Note: Spring part numbers shown above are only the most common. This is not intended to be an all-encompassing list. Careful verification of all dimensions, capacity and specific application installation factors will determine the final selection of the replacement spring.

Mack, Models DM, FL, FS, MB, MC, MR, R/RB, Front, Truck/Tractor Suspension



MACK DM, FL, FS, MB, MC, MR, R/RB - FRONT TRUCK/TRACTOR SUSPENSION



Springs with two eyes Common Replacement Springs

Description	Part #
pad/3 leaf: 4,700 lbs. rating	62-770
pad/3 leaf: 5,400 lbs. rating	62-778
pad/3 leaf: 5,400 lbs. rating	62-830
pad/3 leaf: 6,300 lbs. rating	62-838
pad/3 leaf: 8,100 lbs. rating	62-772
pad/3 leaf: 8,100 lbs. rating	62-832
pad/4 leaf, 9,300 lbs. rating	62-858
9 leaf, 9,060 lbs. rating	62-988
12 leaf, 8,100 lbs. rating	62-882
16 leaf, 8,100 lbs. rating	62-876

Springs with one eye Common Replacement Springs

Description	Part #
pad/4 leaf, 11,500 lbs. rating	62-856
8 leaf, 6,400 lbs. rating	62-806
10 leaf, 10,300 lbs. rating	62-814
11 leaf, 8,500 lbs. rating	62-804
13 leaf, 9,200 lbs. rating	62-808
13 leaf, 9,200 lbs. rating	62-890
14 leaf, 11,500 lbs. rating	62-812

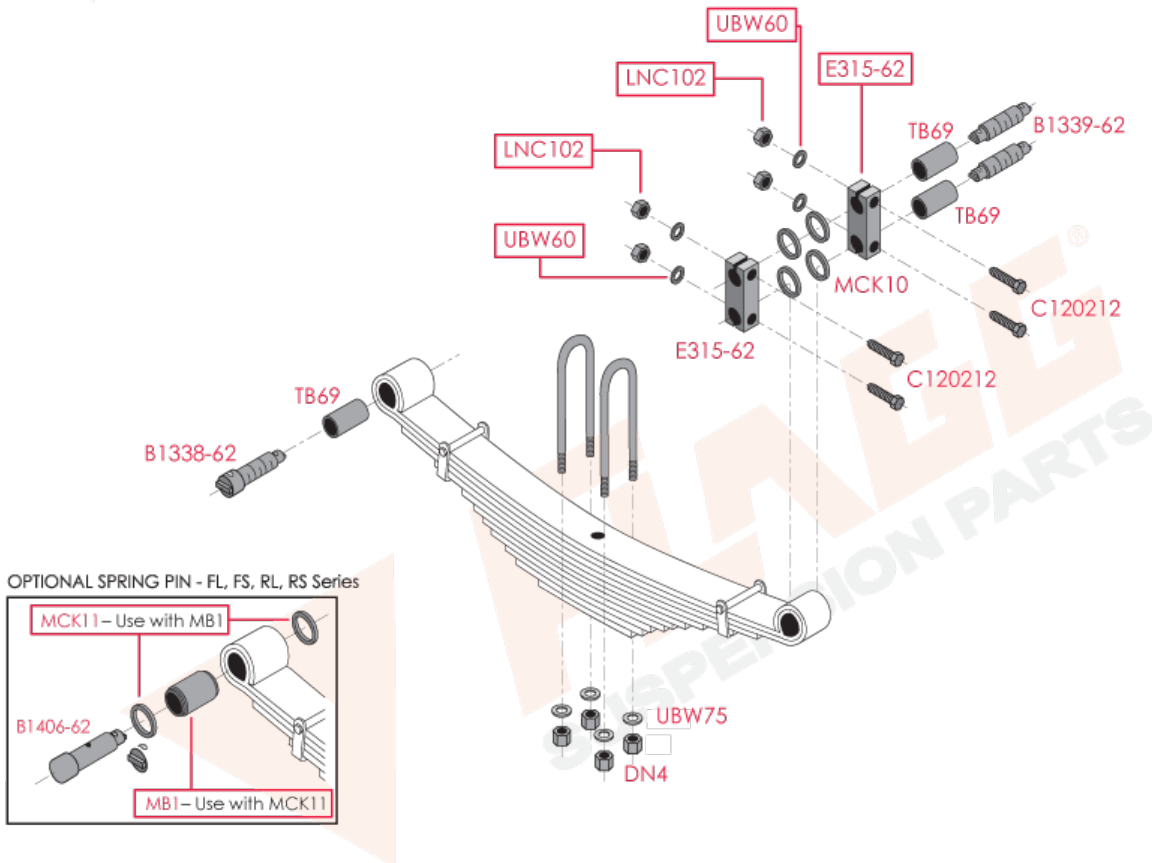
Note: Spring part numbers shown above are only the most common. This is not intended to be an all-encompassing list. Careful verification of all dimensions, capacity and specific application installation factors will determine the final selection of the replacement spring.

© 2019 Triangle Suspension Systems Inc.

Mack, Models FL, FS, RL, RS, Multi-Leaf, Double Eye Springs, Front, Truck/Tractor Suspension



MACK FL, FS, RL, RS (FRONT) TRUCK/TRACTOR SUSPENSION



Common U-Bolt Options

3/4 x 3-1/2 x 12 - square - **UBK186**

7/8 x 3-1/2 x 14 - square - **UBK196**

Note: U-Bolt numbers shown are only the most common. This is not intended to be an all encompassing list.

Common Replacement Springs

Description	Part #
11 leaf	62-738
12 leaf	62-734
13 leaf	62-754

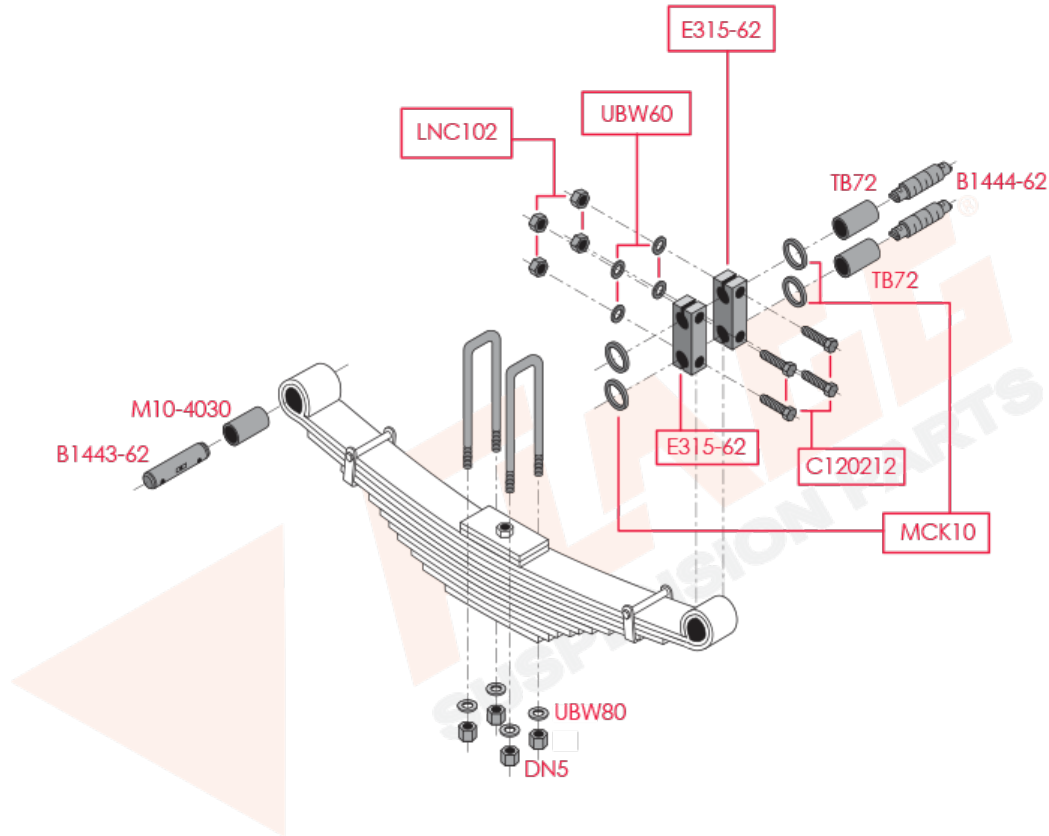
© 2013 Triangle Suspension Systems Inc.

Note: Spring part numbers shown above are only the most common. This is not intended to be an all-encompassing list. Careful verification of all dimensions, capacity and specific application installation factors will determine the final selection of the replacement spring.

Mack, Models MH, RW, RWI, 4" Wide Springs with Double Eye, Front, Truck/Tractor Suspension



MACK MH, RW, (FRONT) TRUCK/TRACTOR SUSPENSION



Common U-Bolt Options

7/8 x 4 x 14 - square - **UBK202**

Note: U-Bolt numbers shown are only the most common. This is not intended to be an all encompassing list.

Common Replacement Springs

Description	Part #
pad/3 leaf, 5,400 lbs. rating	62-894

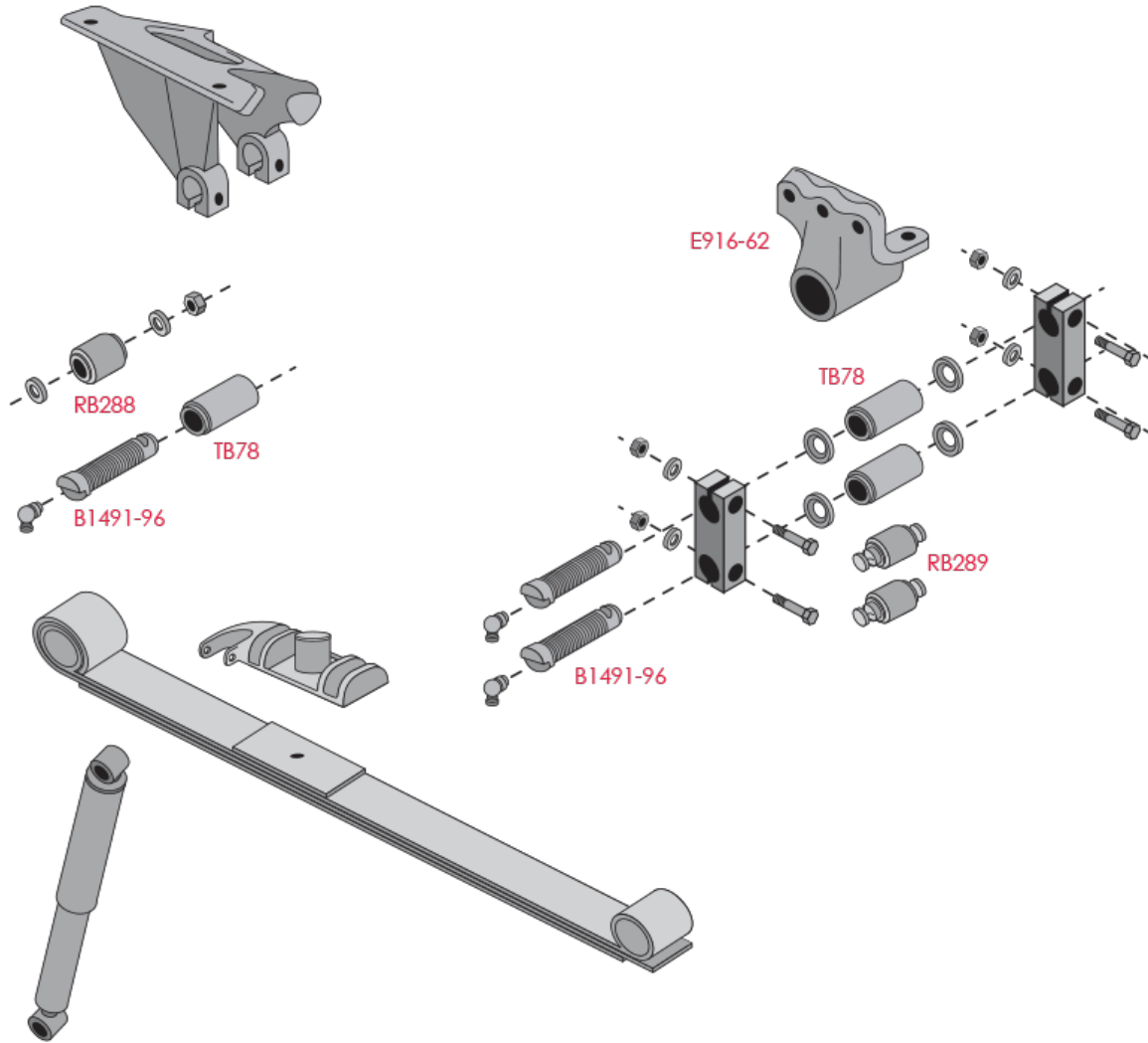
© 2018 Triangle Suspension Systems Inc.

Note: Spring part numbers shown above are only the most common. This is not intended to be an all-encompassing list. Careful verification of all dimensions, capacity and specific application installation factors will determine the final selection of the replacement spring.

Mack, Models Pinnacle, Granite, Titan, Vision, Front, Truck/Tractor Suspension



MACK FRONT MODELS: PINNACLE, GRANITE, TITAN, VISION TRUCK/TRACTOR SUSPENSION



Common Replacement Springs

Description	Part #
GRANITE AND TITAN MODELS, 9,300 lbs. rating	62-1104
PINNACLE AND VISION MODELS, 6,000 lbs. rating	62-1124

© 2018 Triangle Suspension Systems Inc.

Note: Spring part numbers shown above are only the most common. This is not intended to be an all-encompassing list. Careful verification of all dimensions, capacity and specific application installation factors will determine the final selection of the replacement spring.

Mack, Models SS 34K to 38K with 4" wide Camel Back Springs with Rubber Trunnions, 50" Axle Centers, Rear, Truck/Tractor Suspension



MACK - SS 34, 38, 44, (OLD 58, 59, SWD 573) Models With 4: Spring; with Rubber Trunnion Bushing TRUCK/TRACTOR SUSPENSION

*BOLD RED NUMBERS REFLECT TRIANGLE PART NUMBERS
*ITALICIZED BLACK NUMBERS REFLECT OEM NUMBERS (USE FOR REFERENCE ONLY)

- MCK24 - Square bolt pattern
- MCK25 - Trapezoidal bolt pattern
- MCK32 - 1" Dia., Spiral fluted w/1/2" shank for reaming frame holes
- MCK34 - Mounting bolt, nut, washer
- MCK35 - Mounting bolt, roller, nut, washer

- E355-62 - 8"
- E444-62 - 8-3/4"

- MIB219 - Use with 8-3/4" Trunnion
- MIB130L - Use with 8-5/8" Trunnion
- MIB130S - Use with 8" Trunnion
- MIB276 - 90 Durometer (Polyurethane)

- B1324-43 - Use with LNC104
- B1347-62
Use with LN105; Included in MW4A

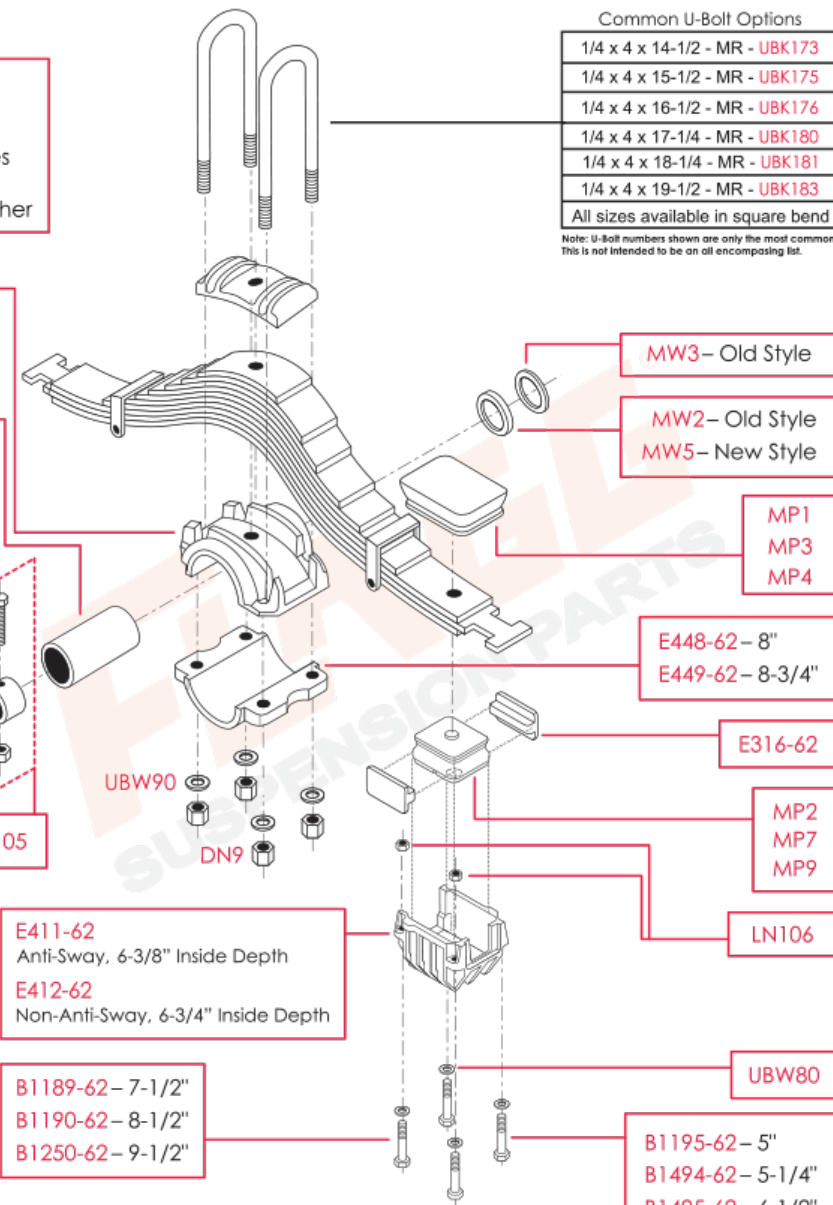
- MW1 - Old Style
- MW4
New Style, Included in MW4

- LNC104
- LN105 - Included in MW4A

- MW4A** - Includes MW4, B1347-62, LN105

OPTIONAL ONE PIECE TRUNNION

- B1324-43 - Use With LNC104
- B1347-62 - Use With LN105
- E436-62
- MIB371 - 10-5/8"
- MIB220 - 11-11/16"
- LNC104
- LN105



Common U-Bolt Options

1/4 x 4 x 14-1/2 - MR - UBK173
1/4 x 4 x 15-1/2 - MR - UBK175
1/4 x 4 x 16-1/2 - MR - UBK176
1/4 x 4 x 17-1/4 - MR - UBK180
1/4 x 4 x 18-1/4 - MR - UBK181
1/4 x 4 x 19-1/2 - MR - UBK183

All sizes available in square bend
Note: U-Bolt numbers shown are only the most common. This is not intended to be an all encompassing list.

- MW3 - Old Style
- MW2 - Old Style
- MW5 - New Style

- MP1
- MP3
- MP4

- E448-62 - 8"
- E449-62 - 8-3/4"

- E316-62

- MP2
- MP7
- MP9

- LN106

- E411-62
Anti-Sway, 6-3/8" Inside Depth
- E412-62
Non-Anti-Sway, 6-3/4" Inside Depth

- B1189-62 - 7-1/2"
- B1190-62 - 8-1/2"
- B1250-62 - 9-1/2"

- UBW80

- B1195-62 - 5"
- B1494-62 - 5-1/4"
- B1495-62 - 6-1/2"

Common Replacement Springs

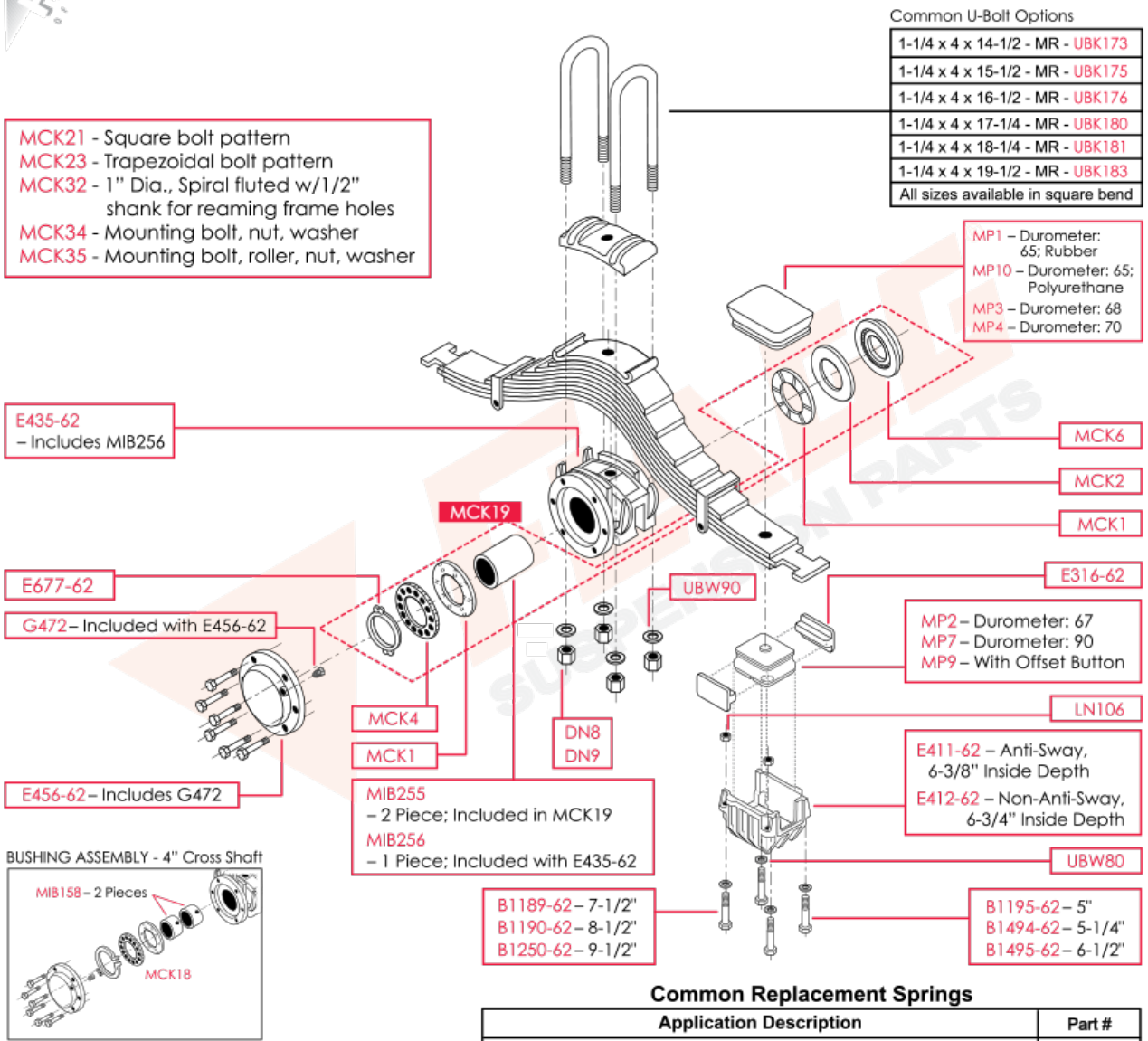
Application Description	Part #
SS 34K to 44K w/rubber trunnions 50" axle centers, 9 leaf, 34K	62-173
SS 34K to 44K w/rubber trunnions 50" axle centers, 10 leaf, 34K antisway	62-139
SS 34K to 44K w/rubber trunnions 50" axle centers, 10 leaf, 38K	62-153
SS 34K to 44K w/rubber trunnions 50" axle centers, 10 leaf, 38K-44K	62-155

Note: Spring part numbers shown above are only the most common. This is not intended to be an all-encompassing list. Careful verification of all dimensions, capacity and specific application installation factors will determine the final selection of the replacement spring.

Mack, Models SS 40K to 50K with Bronze Trunnions and 4" wide Springs, 38"-55" Axle Centers, Rear, Truck/Tractor Suspension



MACK SS 44K TO 50K W/BRONZE TRUNION 50" TO 55" AXLE CENTERS - TRUCK/TRACTOR SUSPENSION



Common Replacement Springs

Application Description	Part #
SS 34K to 44K w/rubber trunnions 50" axle centers, 9 leaf, 34K	62-173
SS 34K to 44K w/rubber trunnions 50" axle centers, 10 leaf, 34K antisway	62-139
SS 34K to 44K w/rubber trunnions 50" axle centers, 10 leaf, 38K	62-153
SS 34K to 44K w/rubber trunnions 50" axle centers, 10 leaf, 38K-44K	62-155
SS 44K to 50K w/bronze trunnions 50" axle centers	62-147
SS 44K to 50K w/bronze trunnions 50" axle centers	62-147ATKIT
SS 44K to 50K w/bronze trunnions 55" axle centers	62-143
SS 44K to 50K w/bronze trunnions 55" axle centers	62-143TKIT

Note: Spring part numbers shown above are only the most common. This is not intended to be an all-encompassing list. Careful verification of all dimensions, capacity and specific application installation factors will determine the final selection of the replacement spring.

© 2018 Triangle Suspension Systems Inc.

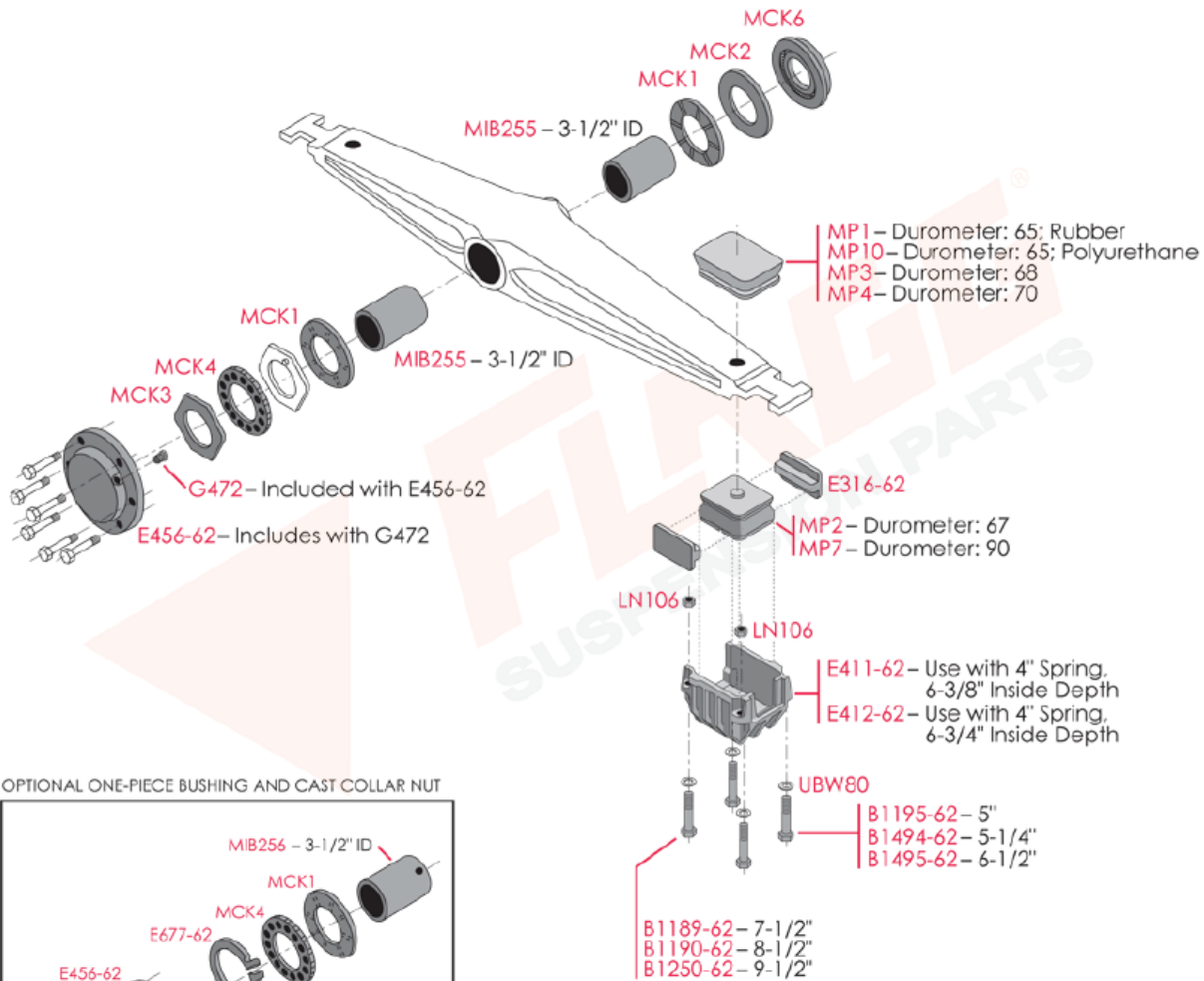
Mack, Models SW, SWW Series, Beam Only - Rear, Truck/Tractor Suspension



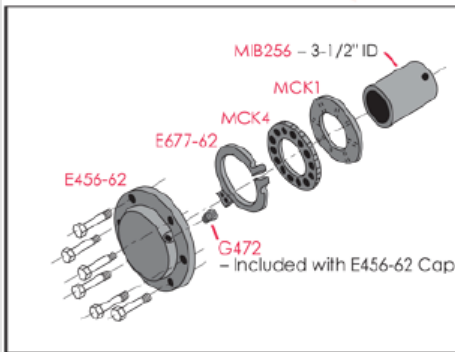
MACK MODELS SW, SWW SERIES, BEAM ONLY - REAR TRUCK/TRACTOR SUSPENSION

***BOLD RED NUMBERS REFLECT TRIANGLE PART NUMBERS**

**ITALICIZED BLACK NUMBERS REFLECT OEM NUMBERS (USE FOR REFERENCE ONLY)*



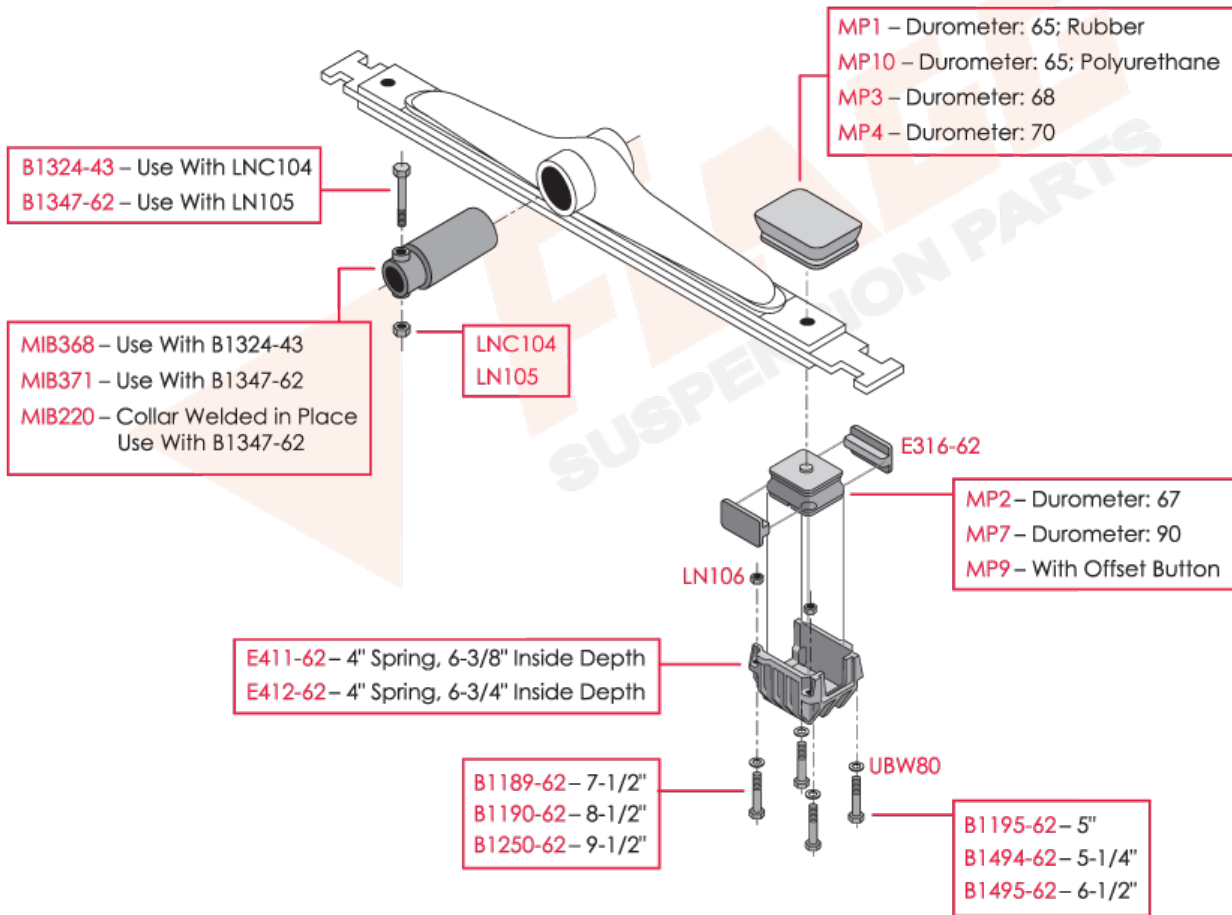
OPTIONAL ONE-PIECE BUSHING AND CAST COLLAR NUT



Mack, SC Series Cantilever, Rear, Truck/Tractor Suspension



MACK SC SERIES CANTILEVER, (REAR) TRUCK/TRACTOR SUSPENSION



Common Replacement Springs

Description	Part #
3 leaf	62-127
3 leaf	62-197

Note: Spring part numbers shown above are only the most common. This is not intended to be an all-encompassing list. Careful verification of all dimensions, capacity and specific application installation factors will determine the final selection of the replacement spring.

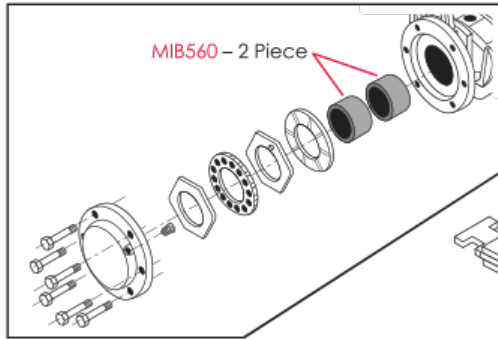
© 2013 Triangle Suspension Systems Inc.

Mack, SS 55, 58, 65, Models with 5" Spring, Rear, Truck/Tractor Suspension



MACK SS 55, 58, 65 - REAR, Models With 5" Spring TRUCK/TRACTOR SUSPENSION

OPTIONAL TWO-PIECE BUSHING



MIB560 - 2 Piece

E480-62 - Includes MIB393

MIB393

MP5

E825-62

UBW90

DN9

LN106

LN106

E316-62

MP6
MP8

UBW80

B1195-62 - 5"
B1494-62 - 5-1/4"
B1495-62 - 6-1/2"

B1189-62 - 7-1/2"
B1190-62 - 8-1/2"
B1250-62 - 9-1/2"

Common U-Bolt Options

1-1/4 x 5 x 16-1/2 - MR - UBK184

1-1/4 x 5 x 17-1/2 - MR - UT-7717MR

Note: U-Bolt numbers shown are only the most common. This is not intended to be an all encompassing list.

Common Replacement Springs

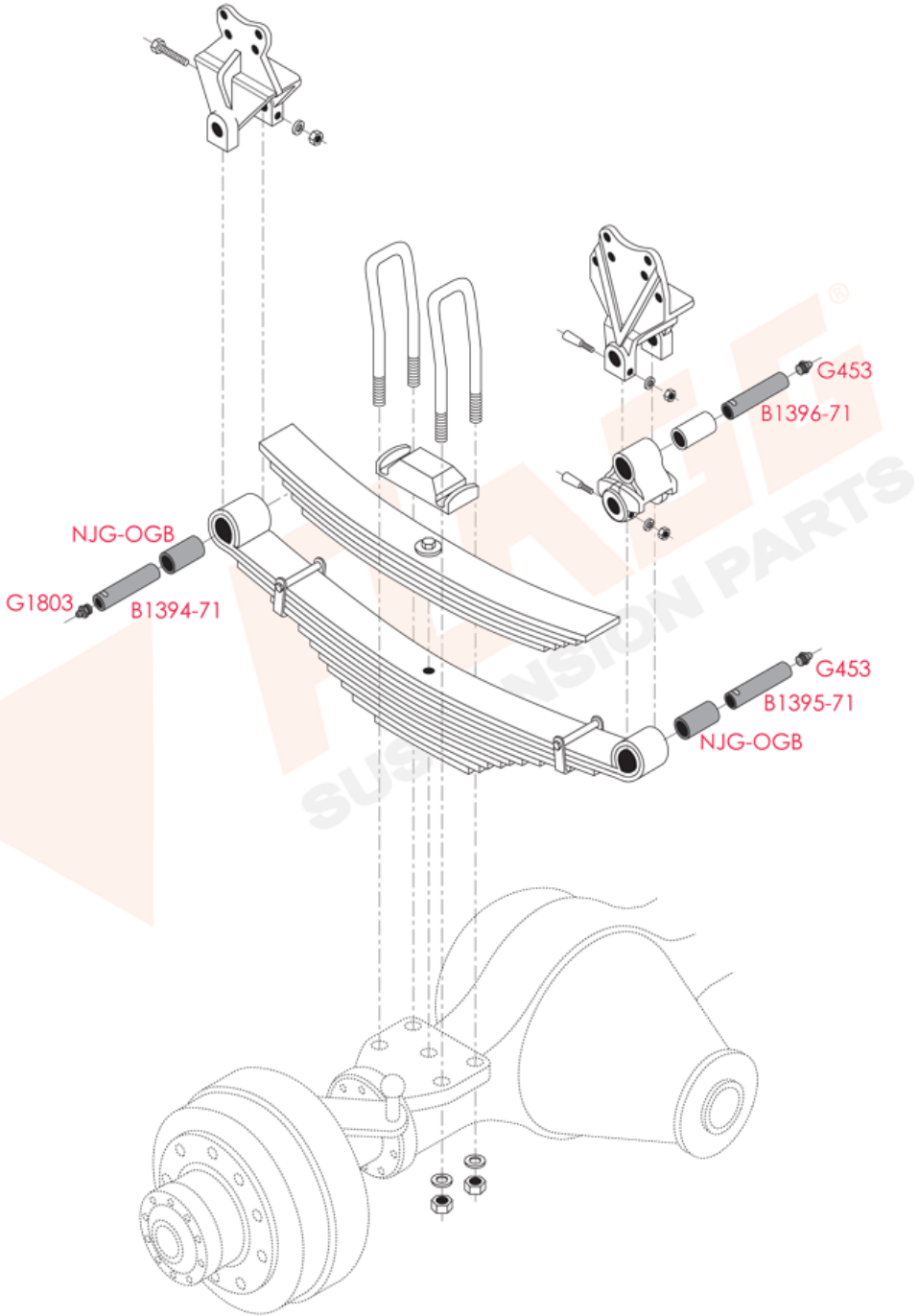
Application Description	Part #
SS 55K to 65K, 13 leaf 55K, 54" axle center	62-983
SS 55K to 65K, 10 leaf 55K, 54" axle center	62-981
SS 55K to 65K, 10 leaf 55K, 58" axle center	62-017
SS 55K to 65K, 8 leaf 65K, 58" axle center	62-097

Note: Spring part numbers shown above are only the most common. This is not intended to be an all-encompassing list. Careful verification of all dimensions, capacity and specific application installation factors will determine the final selection of the replacement spring.

© 2019 Triangle Suspension Systems Inc.

Note: All Dimensions Listed are Overall Length, Unless Noted Otherwise.

Oshkosh, Steering Axle, Models with 3" wide Spring, Front, Truck/Tractor Suspension



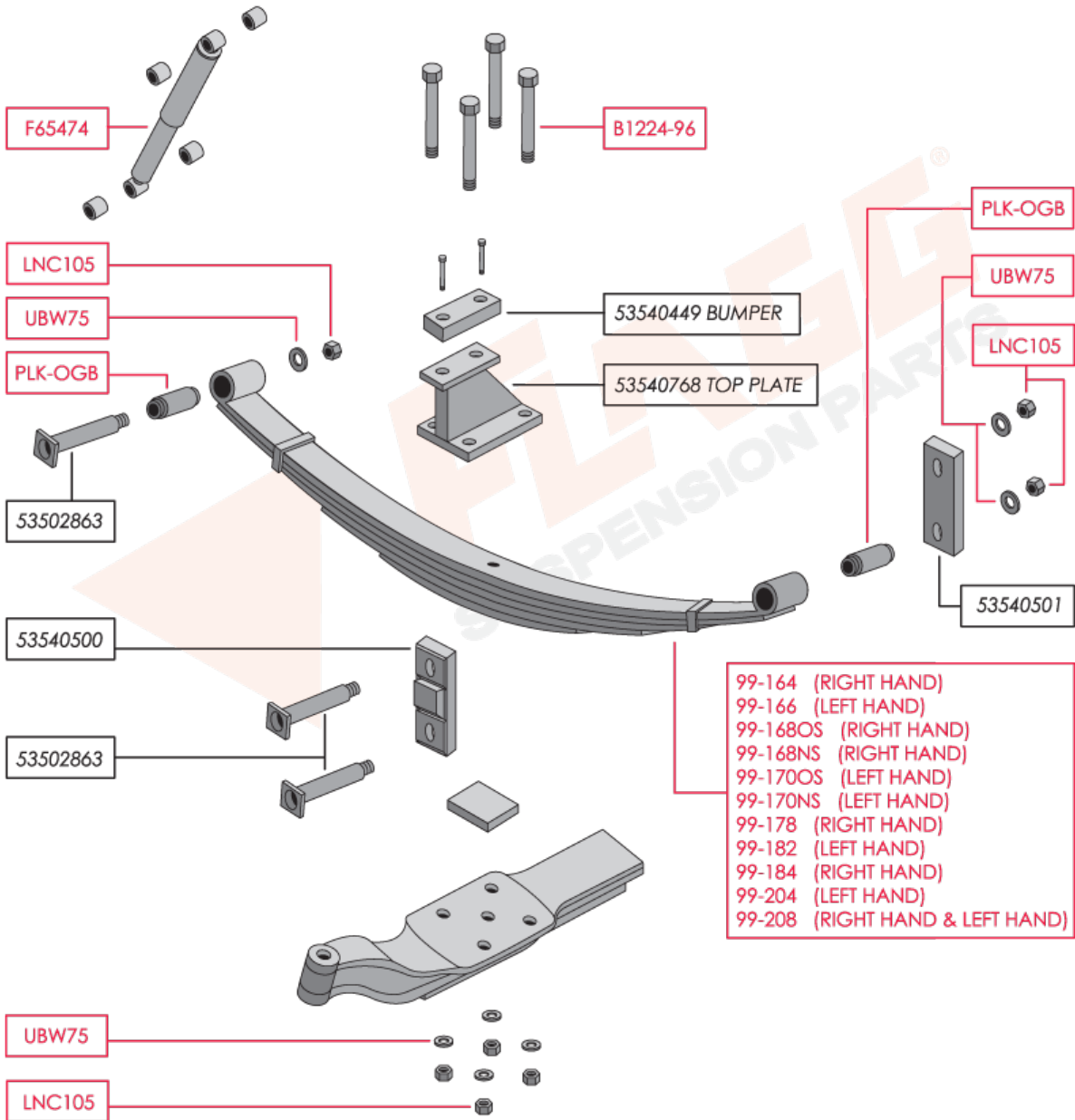
Ottawa, Ottawa Switcher, Front, Truck/Tractor Suspension



OTTAWA FRONT: OTTAWA SWITCHER TRUCK/TRACTOR SUSPENSION

***BOLD RED NUMBERS REFLECT TRIANGLE PART NUMBERS**

**ITALICIZED BLACK NUMBERS REFLECT OEM NUMBERS (USE FOR REFERENCE ONLY)*



© 2015 Triangle Suspension Systems Inc.

Suspension Application Guide

Table of Contents by Vehicle Application Type

~~ Peterbilt Truck/Tractor Suspension ~~	Page
Peterbilt, 4-Spring, Early Production, Rear	295
Peterbilt, Air Leaf, Rear	296
Peterbilt, Air-Trac, Rear	297
Peterbilt, Conventional Cab Over, 4" Spring, Front	298
Peterbilt, Corporate 4-Spring Suspension, Rear	299
Peterbilt, Flex-Air, Rear	300
Peterbilt, Low Air Leaf, Rear	301
Peterbilt, PACCAR Air Glide 210, Low Air Leaf, 2nd Design, Rear	302
Peterbilt, Quadraflex, Rear	303
Peterbilt, Single Axle with Cast Eye, Rear	304
Peterbilt, SOFTEK NXT with Rubber Bushings or Threaded Bushings, 12.5K / 13.2K Capacity, Rear	305
Peterbilt, Steering Axle, 4" Wide Spring with Sidebar Center to Center 3-1/2" or 5-1/8", Front,	307
Peterbilt, Steering Axle, Cabover Models, with 4" wide Spring, Front	308
Peterbilt, Steering Axle, Conventional and C.O.E. Models 348, 349, 359,362 with 3-1/2" Spring, Front	309
Peterbilt, Steering Axle, Conventional Models, Cast Eye with 3-1/2" wide Spring, Front	310

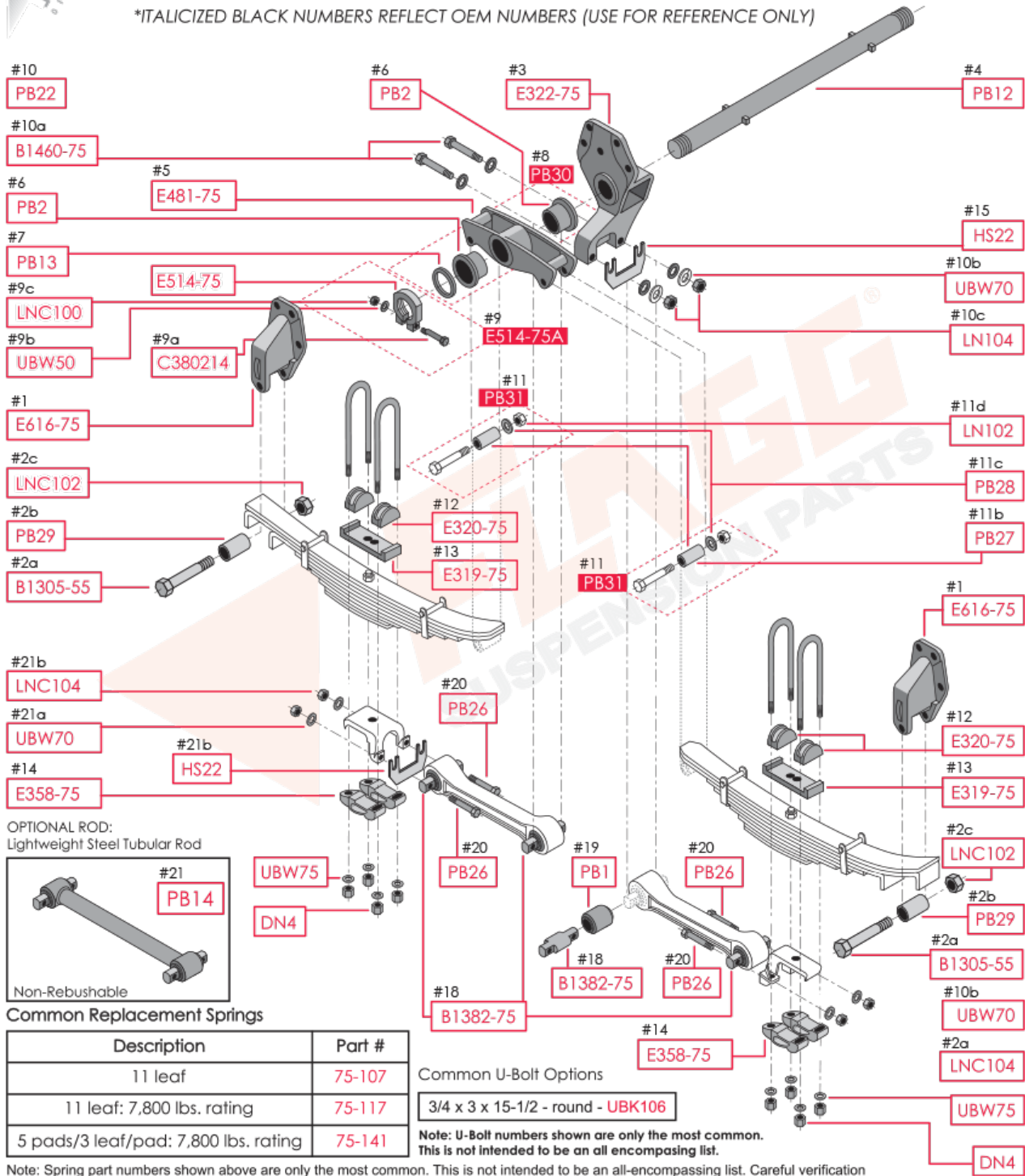
Peterbilt, 4-Spring, Early Production, Rear, Truck/Tractor Suspension



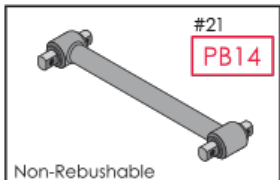
PETERBILT 4-SPRING - REAR, EARLY PRODUCTION TRUCK/TRACTOR SUSPENSION

***BOLD RED NUMBERS REFLECT TRIANGLE PART NUMBERS**

**ITALICIZED BLACK NUMBERS REFLECT OEM NUMBERS (USE FOR REFERENCE ONLY)*



OPTIONAL ROD:
Lightweight Steel Tubular Rod



Common Replacement Springs

Description	Part #
11 leaf	75-107
11 leaf: 7,800 lbs. rating	75-117
5 pads/3 leaf/pad: 7,800 lbs. rating	75-141

Common U-Bolt Options

3/4 x 3 x 15-1/2 - round - UBK106

Note: U-Bolt numbers shown are only the most common. This is not intended to be an all encompassing list.

Note: Spring part numbers shown above are only the most common. This is not intended to be an all-encompassing list. Careful verification of all dimensions, capacity and specific application installation factors will determine the final selection of the replacement spring.

© 2019 Triangle Suspension Systems Inc.

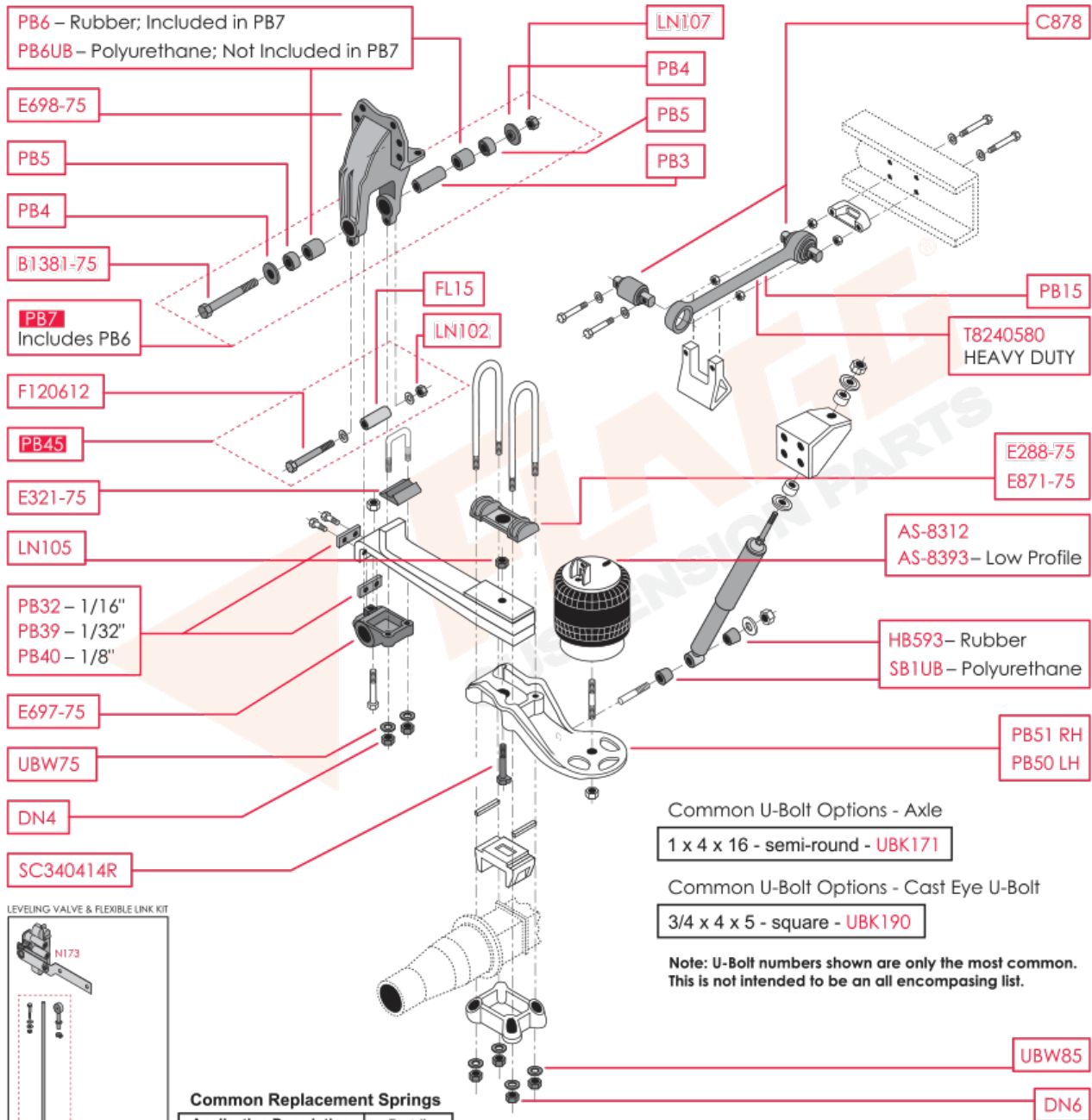
Peterbilt, Air Leaf, Rear, Truck/Tractor Suspension



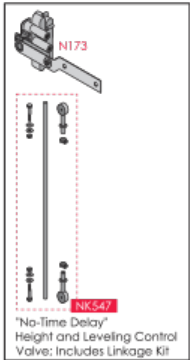
PETERBILT - AIR LEAF (REAR) TRUCK/TRACTOR SUSPENSION

***BOLD RED NUMBERS REFLECT TRIANGLE PART NUMBERS**

**ITALICIZED BLACK NUMBERS REFLECT OEM NUMBERS (USE FOR REFERENCE ONLY)*



LEVELING VALVE & FLEXIBLE LINK KIT



Common Replacement Springs

Application Description	Part #
Air Leaf, 3 leaf, old style	75-105
Air Leaf, 2 leaf, new style	75-129

© 2018 Triangle Suspension Systems Inc.

Note: Spring part numbers shown above are only the most common. This is not intended to be an all-encompassing list. Careful verification of all dimensions, capacity and specific application installation factors will determine the final selection of the replacement spring.

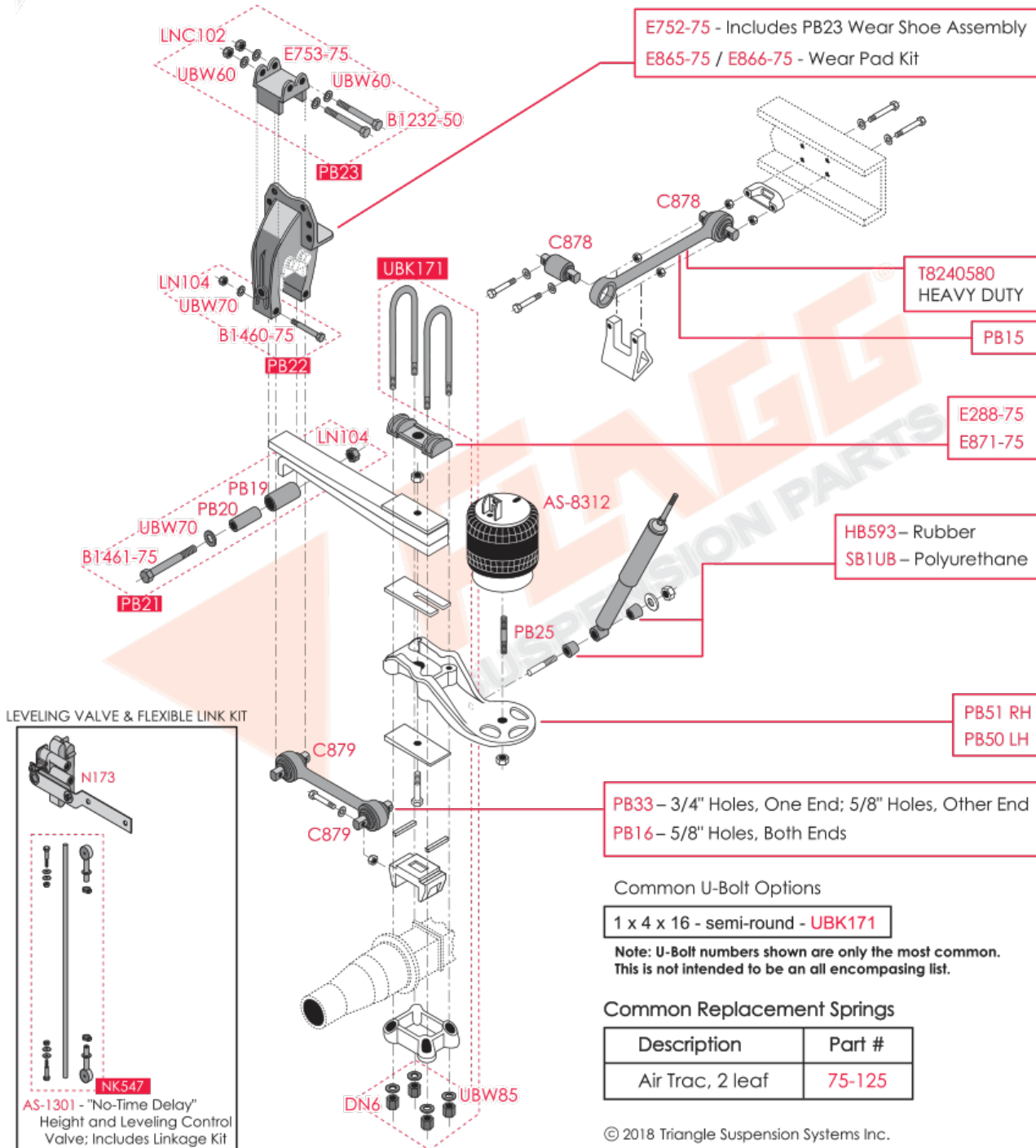
Peterbilt, Air-Trac, Rear, Truck/Tractor Suspension



PETERBILT - AIR-TRAC (REAR) TRUCK/TRACTOR SUSPENSION

***BOLD RED NUMBERS REFLECT TRIANGLE PART NUMBERS**

**ITALICIZED BLACK NUMBERS REFLECT OEM NUMBERS (USE FOR REFERENCE ONLY)*



Note: Spring part numbers shown above are only the most common. This is not intended to be an all-encompassing list. Careful verification of all dimensions, capacity and specific application installation factors will determine the final selection of the replacement spring.

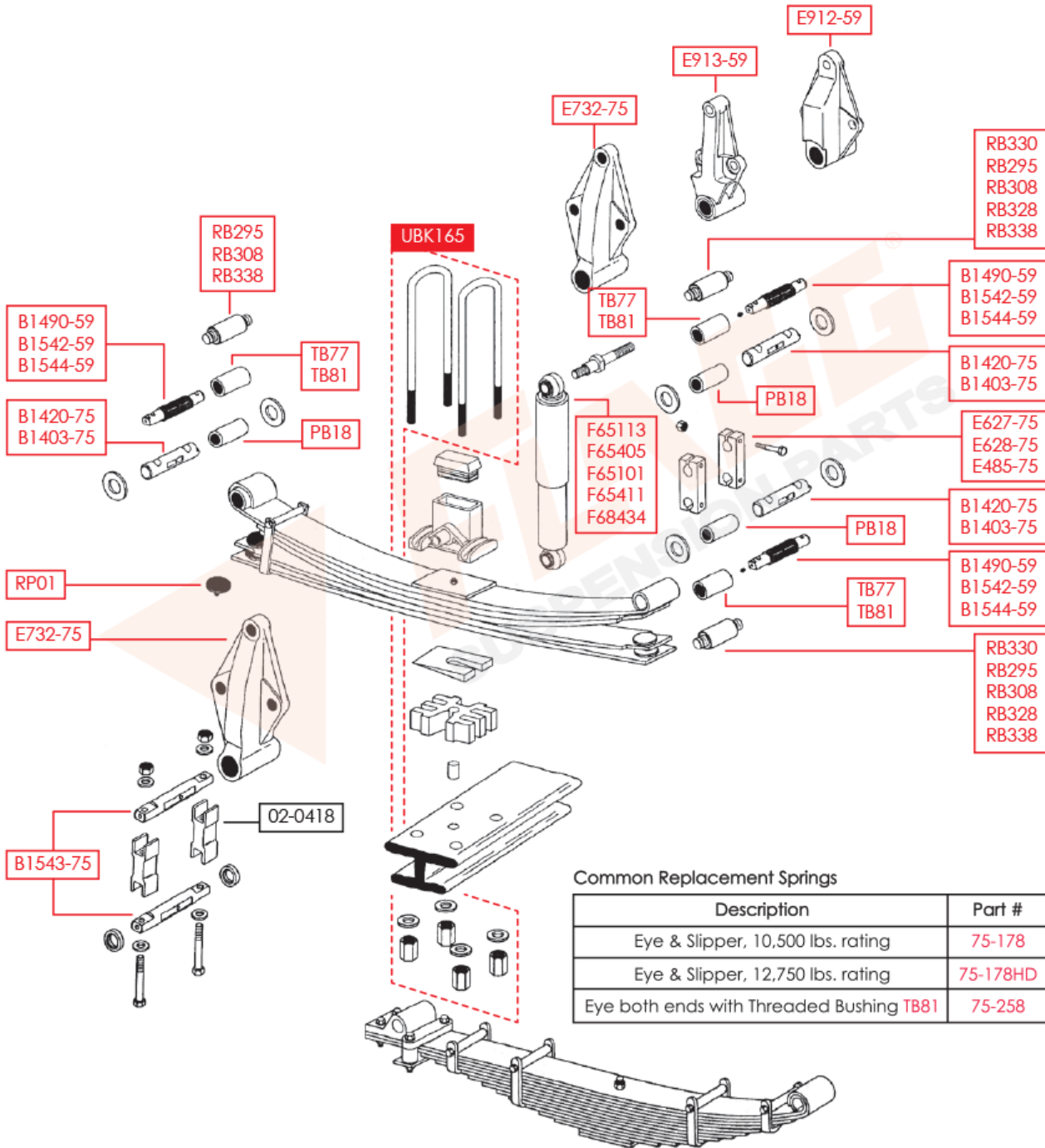
Peterbilt, Conventional Cab Over, 4" Spring, Front, Truck/Tractor Suspension



PETERBILT CONVENTIONAL/CAB OVER, 4" SPRING, FRONT TRUCK/TRACTOR SUSPENSION

***BOLD RED NUMBERS REFLECT TRIANGLE PART NUMBERS**

**ITALICIZED BLACK NUMBERS REFLECT OEM NUMBERS (USE FOR REFERENCE ONLY)*



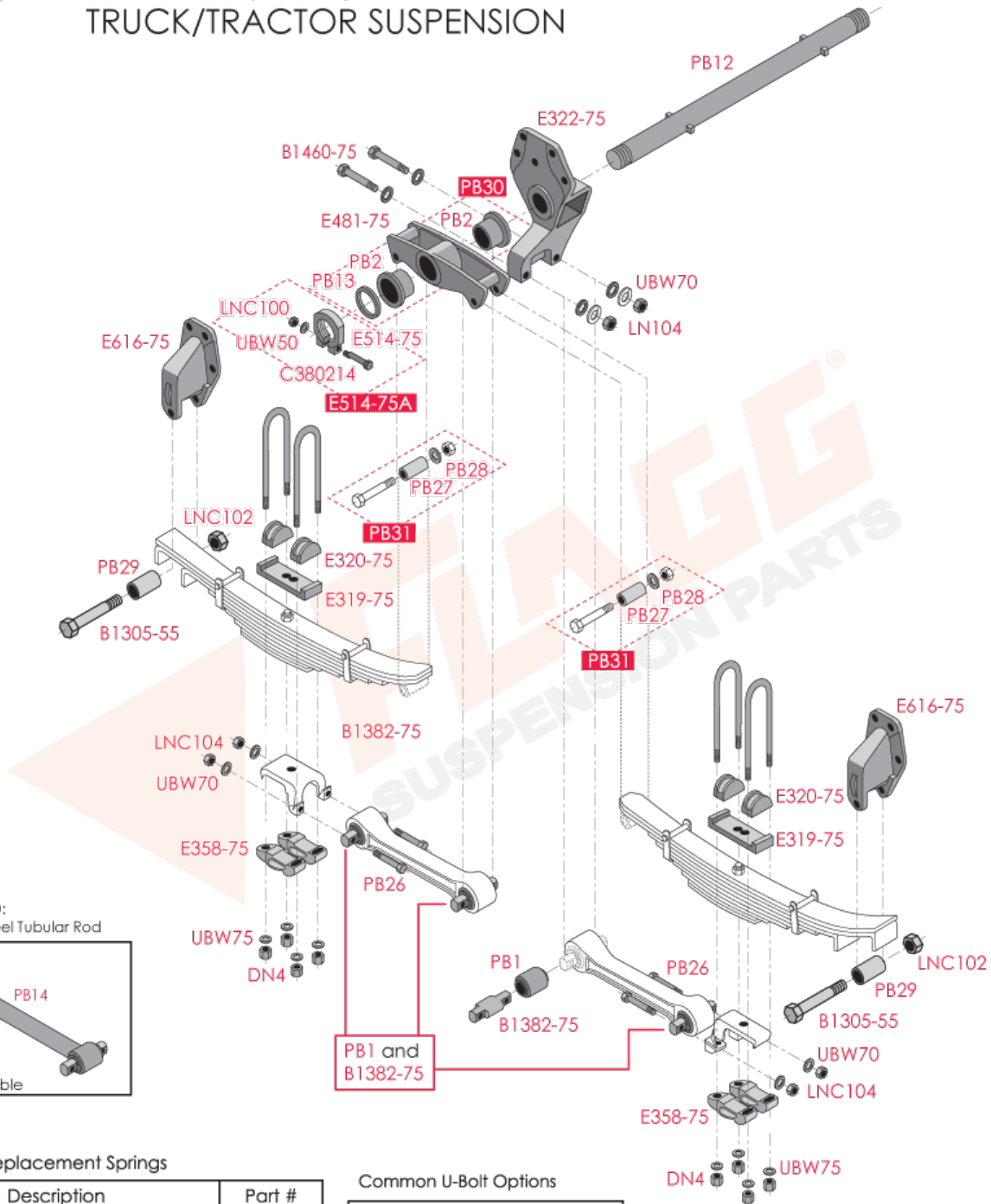
Common Replacement Springs

Description	Part #
Eye & Slipper, 10,500 lbs. rating	75-178
Eye & Slipper, 12,750 lbs. rating	75-178HD
Eye both ends with Threaded Bushing TB81	75-258

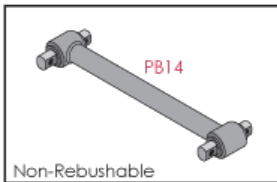
Peterbilt, Corporate 4-Spring Suspension, Rear, Truck/Tractor Suspension



PETERBILT 4-SPRING (REAR) TRUCK/TRACTOR SUSPENSION



OPTIONAL ROD:
Lightweight Steel Tubular Rod



Common Replacement Springs

Description	Part #
11 leaf	75-107
11 leaf; 7,800 lbs. rating	75-117
5 pads/3 leaf/pad; 7,800 lbs. rating	75-141

Common U-Bolt Options

3/4 x 3 x 15-1/2 - round - **UBK106**

Note: U-Bolt numbers shown are only the most common. This is not intended to be an all encompassing list.

© 2013 Triangle Suspension Systems Inc.

Note: Spring part numbers shown above are only the most common. This is not intended to be an all-encompassing list. Careful verification of all dimensions, capacity and specific application installation factors will determine the final selection of the replacement spring.

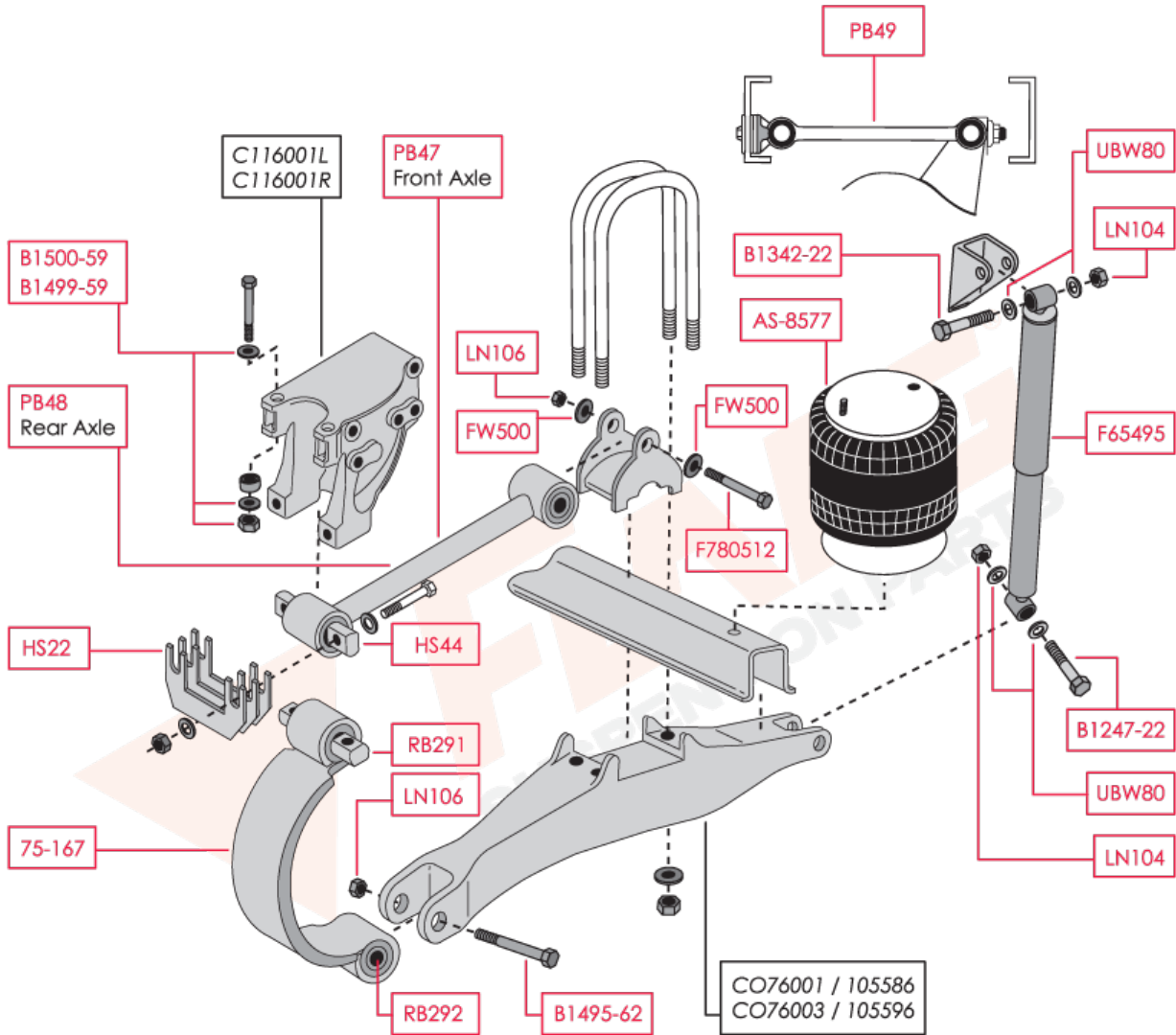
Peterbilt, Flex-Air, Rear, Truck/Tractor Suspension



PETERBILT PACCAR FLEX-AIR

***BOLD RED NUMBERS REFLECT TRIANGLE PART NUMBERS**

**ITALICIZED BLACK NUMBERS REFLECT OEM NUMBERS (USE FOR REFERENCE ONLY)*



Common Replacement Springs

Description	Part #
1 leaf	75-167

© 2013 Triangle Suspension Systems Inc.

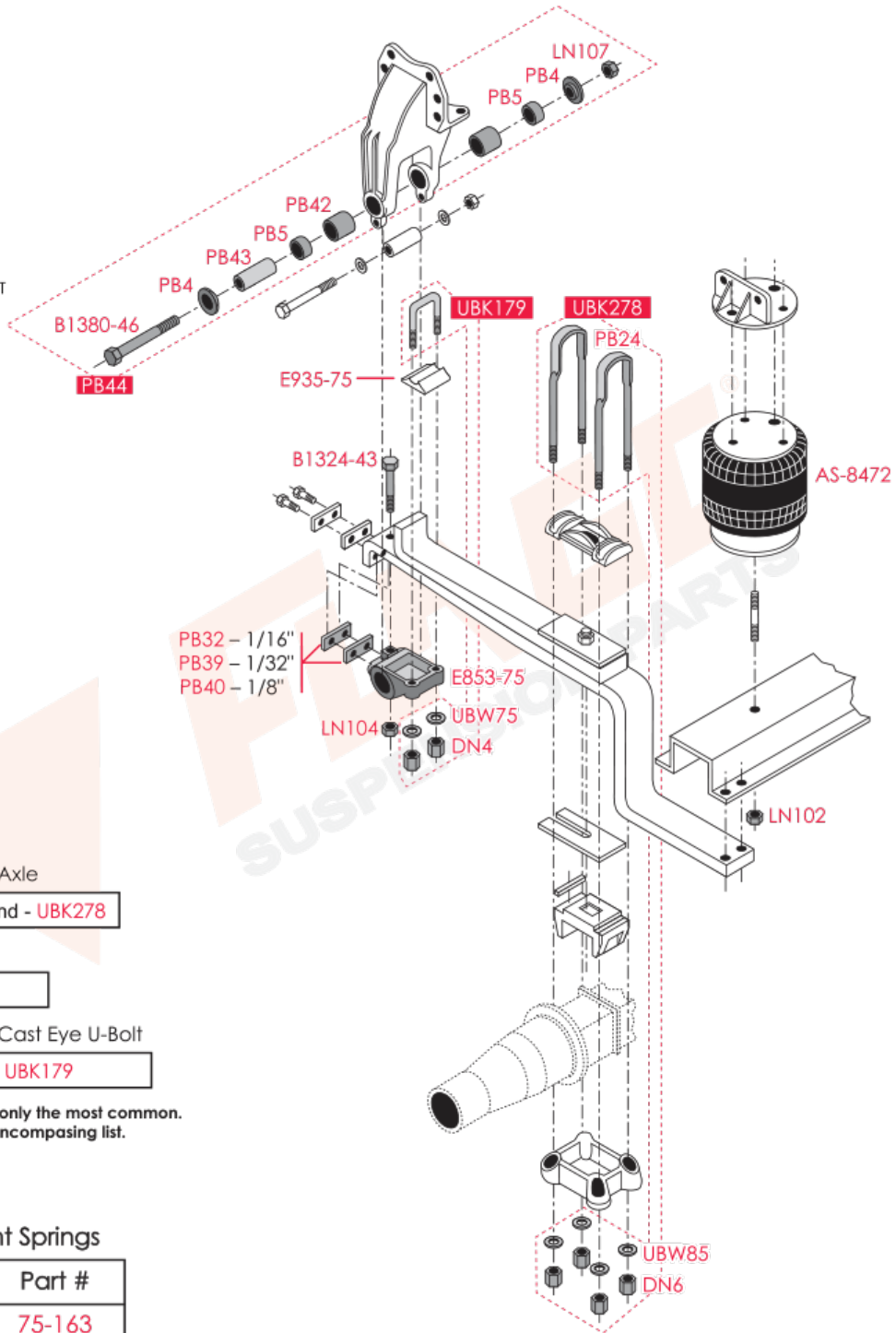
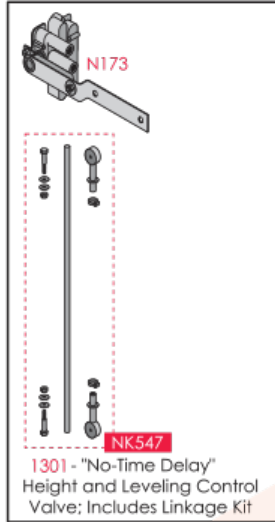
Note: Spring part numbers shown above are only the most common. This is not intended to be an all-encompassing list. Careful verification of all dimensions, capacity and specific application installation factors will determine the final selection of the replacement spring.

Peterbilt, Low Air Leaf, Rear, Truck/Tractor Suspension



PETERBILT - LOW AIR LEAF (REAR) TRUCK/TRACTOR SUSPENSION

LEVELING VALVE & FLEXIBLE LINK KIT



Common U-Bolt Options - Axle

1 x 3-1/2 x 15-1/2 - semi-round - **UBK278**

Forge Top

U-Bolt Only - **PB24**

Common U-Bolt Options - Cast Eye U-Bolt

3/4 x 3-1/2 x 5-1/2 - square - **UBK179**

Note: U-Bolt numbers shown are only the most common.
This is not intended to be an all encompassing list.

Common Replacement Springs

Description	Part #
2 leaf, 20K per Axle	75-163
3 leaf, 20K per Axle	75-165

© 2018 Triangle Suspension Systems Inc.

Note: Spring part numbers shown above are only the most common. This is not intended to be an all-encompassing list. Careful verification of all dimensions, capacity and specific application installation factors will determine the final selection of the replacement spring.

Peterbilt, PACCAR Air Glide 210, Low Air Leaf, 2nd Design, Rear, Truck/Tractor Suspension

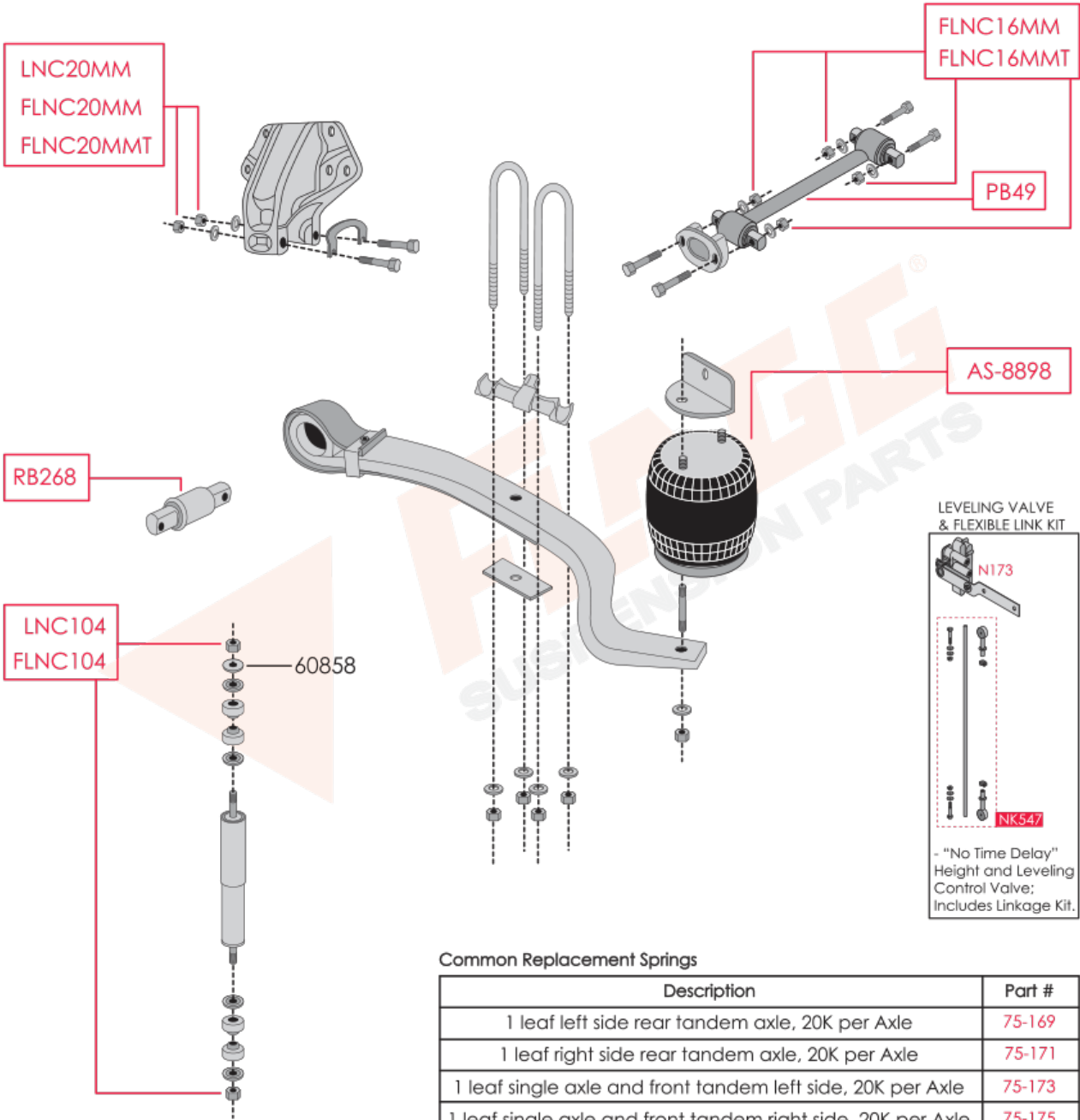


PETERBILT

PACCAR AIR GLIDE 210, LOW AIR LEAF, 2ND DESIGN
TRUCK/TRACTOR SUSPENSION

***BOLD RED NUMBERS REFLECT TRIANGLE PART NUMBERS**

**ITALICIZED BLACK NUMBERS REFLECT OEM NUMBERS (USE FOR REFERENCE ONLY)*



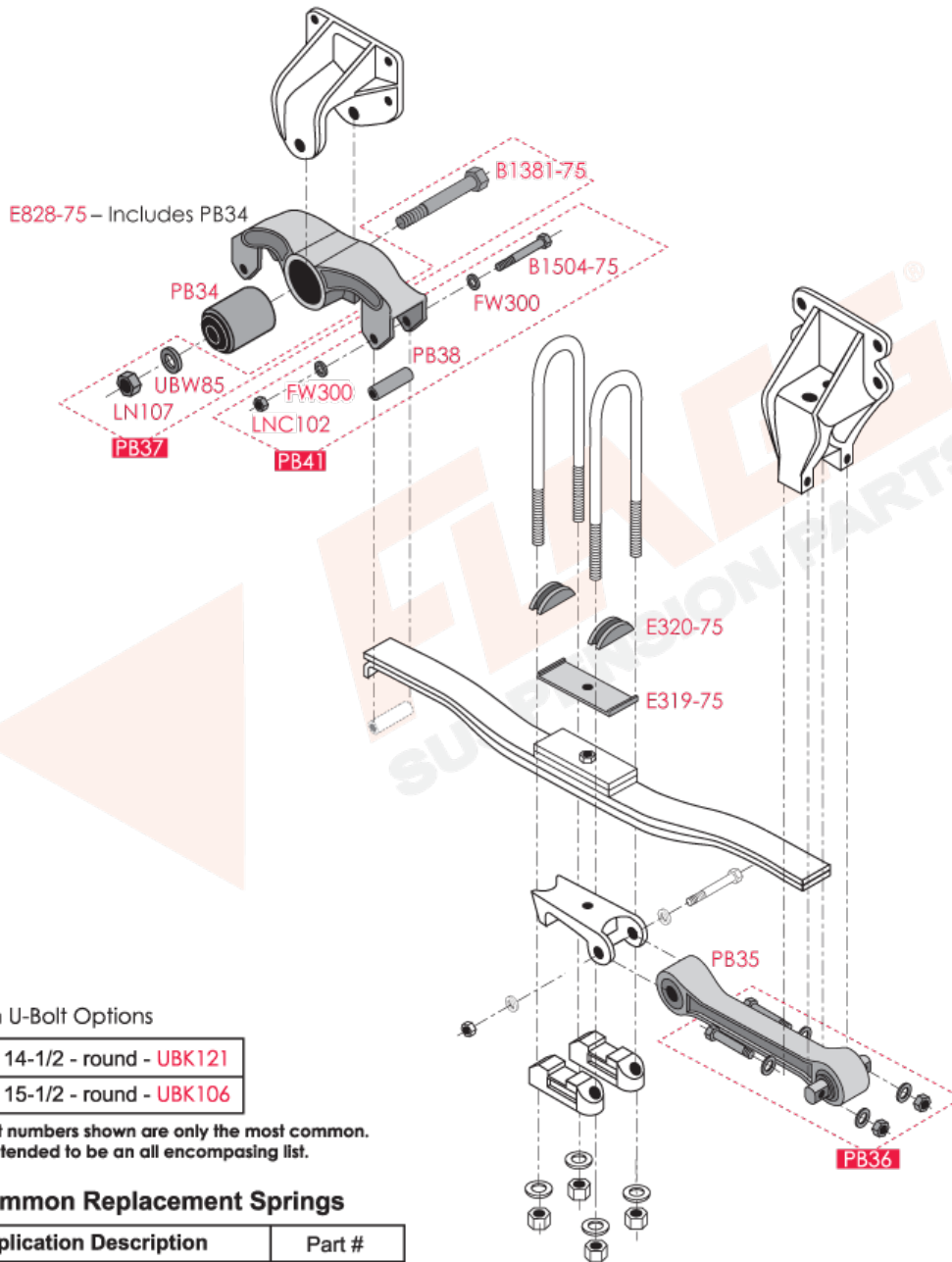
Common Replacement Springs

Description	Part #
1 leaf left side rear tandem axle, 20K per Axle	75-169
1 leaf right side rear tandem axle, 20K per Axle	75-171
1 leaf single axle and front tandem left side, 20K per Axle	75-173
1 leaf single axle and front tandem right side, 20K per Axle	75-175

Peterbilt, Quadraflex, Rear, Truck/Tractor Suspension



PETERBILT - QUADRAFLEX (REAR) TRUCK/TRACTOR SUSPENSION



Common U-Bolt Options

3/4 x 3 x 14-1/2 - round - UBK121
3/4 x 3 x 15-1/2 - round - UBK106

Note: U-Bolt numbers shown are only the most common. This is not intended to be an all encompassing list.

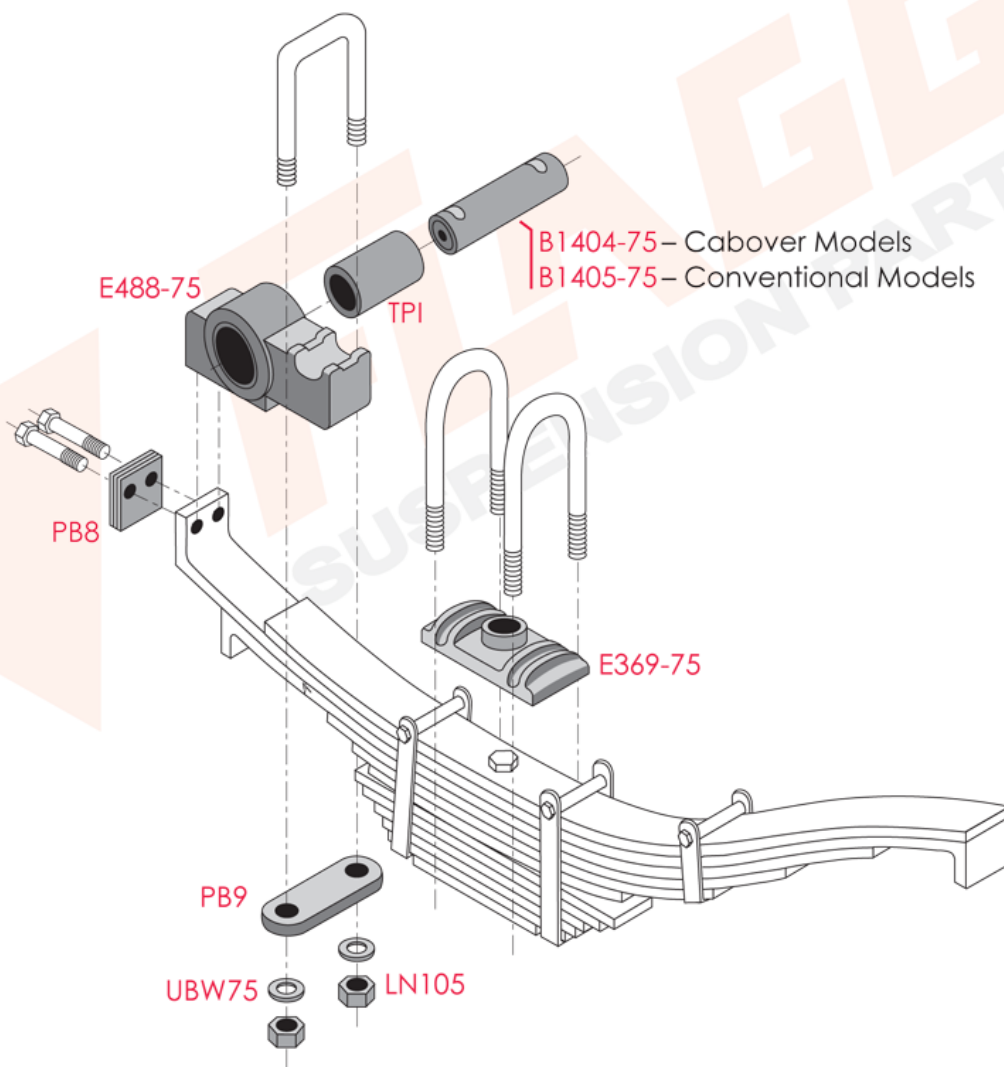
Common Replacement Springs

Application Description	Part #
Quadraflex, 3pads / 2 leaf / 1 pad	75-161

Note: Spring part numbers shown above are only the most common. This is not intended to be an all-encompassing list. Careful verification of all dimensions, capacity and specific application installation factors will determine the final selection of the replacement spring.

© 2010 Triangle Suspension Systems Inc.

Peterbilt, Single Axle with Cast Eye, Rear, Truck/Tractor Suspension



Peterbilt, SOFTEK NXT with Rubber Bushings or Threaded Bushings, 12.5K / 13.2K Capacity, Rear, Truck/Tractor Suspension

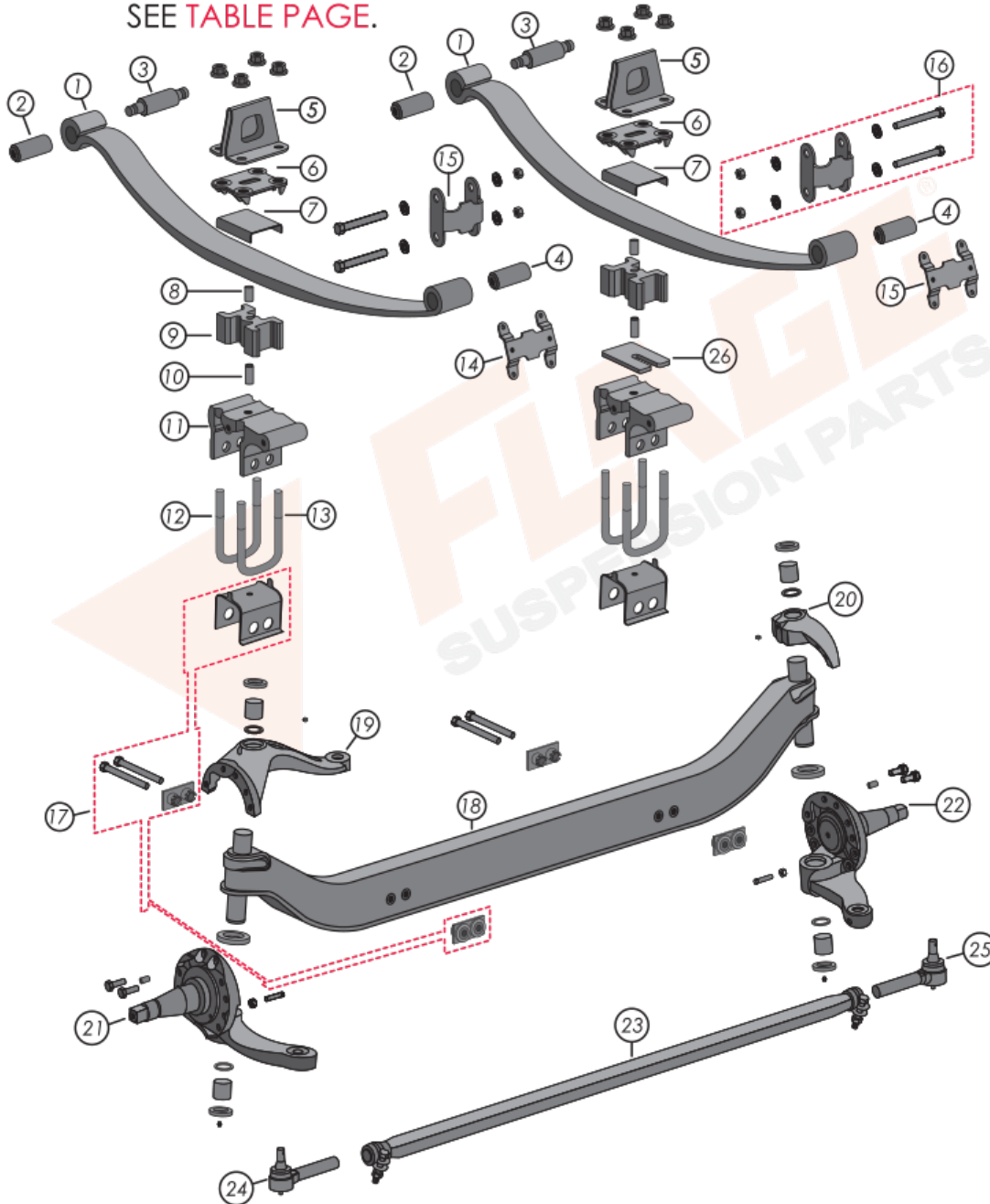


**PETERBILT
SOFTEK NXT W/RUBBER BUSHINGS
OR THREADED BUSHINGS, 12.5K/13.2K CAPACITY
TRUCK/TRACTOR SUSPENSION**

***BOLD RED NUMBERS REFLECT TRIANGLE PART NUMBERS**

**ITALICIZED BLACK NUMBERS REFLECT OEM NUMBERS (USE FOR REFERENCE ONLY)*

FOR PART NUMBERS,
SEE **TABLE PAGE**.



© 2017 Triangle Suspension Systems Inc.

Peterbilt, SOFTEK NXT with Rubber Bushings or Threaded Bushings, 12.5K / 13.2K Capacity, Truck/Tractor Suspension, TABLE PAGE

**PETERBILT
SOFTEK NXT W/RUBBER BUSHINGS
OR THREADED BUSHINGS, 12.5K/13.2K CAPACITY
TRUCK/TRACTOR SUSPENSION**

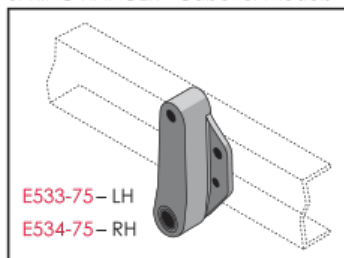
①	53963-000 53964-000	LEAF SPRING			U-BOLT - REAR 10" RIDE HEIGHT, 12.5K
②	52700-000	FRONT SPRING PIN BUSHING	⑬	77132-190 77132-200 77132-150 77132-160 77132-130 77132-140	10" RIDE HEIGHT, 13.2K 8-1/2" RIDE HEIGHT, 12.5K 8-1/2" RIDE HEIGHT, 13.2K 6-1/2" RIDE HEIGHT, 12.5K 6-1/2" RIDE HEIGHT, 13.2K
③	60961-821	FRONT SPRING PIN BUSHING			
④	53980-000	REAR THREADED BUSHING	⑭	79381-001	SHACKLE PLATE
⑤	70690-001	JOUNCE STOP	⑮	70795-001	SHACKLE
⑥	70688-001	TOP PAD	⑯	60961-803	REAR SHACKLE KIT, ONE SIDE
⑦	75990-000	LEAF SPRING LINER	⑰	60961-802	AXLE CLAMP SERVICE KIT, ONE SIDE
⑧	76897-013 76897-015 76897-005 76897-016 76897-012	UPPER SLOTTED SPRING PIN 10" RIDE HEIGHT, 12.5K/13.2K 8-1/2" RIDE HEIGHT, 12.5K 8-1/2" RIDE HEIGHT, 13.2K 6-1/2" RIDE HEIGHT, 12.5K 6-1/2" RIDE HEIGHT, 13.2K	⑱	70685-001 70685-101 70685-001 70685-101	AXLE & KINGPIN ASSEMBLY 12.5K 12.5K, 6-1/2" RIDE HEIGHT ONLY 13.2K 13.2K, 6-1/2" RIDE HEIGHT ONLY
⑨	70694-001 70694-003 70694-002 70694-004 77808-001 70694-005	LEAF SPRING SPACER 10" RIDE HEIGHT, 12.5K 10" RIDE HEIGHT, 13.2K 8-1/2" RIDE HEIGHT, 12.5K 8-1/2" RIDE HEIGHT, 13.2K 6-1/2" RIDE HEIGHT, 12.5K 6-1/2" RIDE HEIGHT, 13.2K	⑲	60903-472	LH UPPER STEERING KNUCKLE ASSEMBLY
⑩	76897-001	LOWER SLOTTED SPRING PIN (10" RIDE HEIGHT ONLY)	⑳	60904-402	RH UPPER STEERING KNUCKLE ASSEMBLY
⑪	75986-001	AXLE WRAP/SHOCK BRACKET	㉑	58900-499 58900-497 58900-495	LH LOWER STEERING KNUCKLE ASSEMBLY 241" - 290" WHEELBASE 191" - 240" WHEELBASE 140" - 190" WHEELBASE
⑫	77132-180 77132-190 77132-140 77132-150 77132-120 77132-130	U-BOLT - FRONT 10" RIDE HEIGHT, 12.5K <small>(REPLACES 77132-190)</small> 10" RIDE HEIGHT, 13.2K 8-1/2" RIDE HEIGHT, 12.5K <small>(REPLACES 77132-150)</small> 8-1/2" RIDE HEIGHT, 13.2K 6-1/2" RIDE HEIGHT, 12.5K <small>(REPLACES 77132-130)</small> 6-1/2" RIDE HEIGHT, 13.2K	㉒	58900-500 58900-498 58900-496	RH LOWER STEERING KNUCKLE ASSEMBLY 241" - 290" WHEELBASE 191" - 240" WHEELBASE 140" - 190" WHEELBASE
			㉓	76877-003 76877-002 76877-005	TIE ROD ASSEMBLY 241" - 290" WHEELBASE 191" - 240" WHEELBASE 140" - 190" WHEELBASE
			㉔	70995-001	LH TIE ROD END
			㉕	70995-002	RH TIE ROD END
			㉖	78578-001	CHASSIS SPACER (IF EQUIPPED)

Peterbilt, Steering Axle, 4" Wide Spring with Sidebar Center to Center 3-1/2" or 5-1/8", Front, Truck/Tractor Suspension



PETERBILT STEERING AXLE (FRONT) 4" Wide Spring with Sidebar Center to Center 3-1/2" or 5-1/8" TRUCK/TRACTOR SUSPENSION

SPRING HANGER - Cabover Models



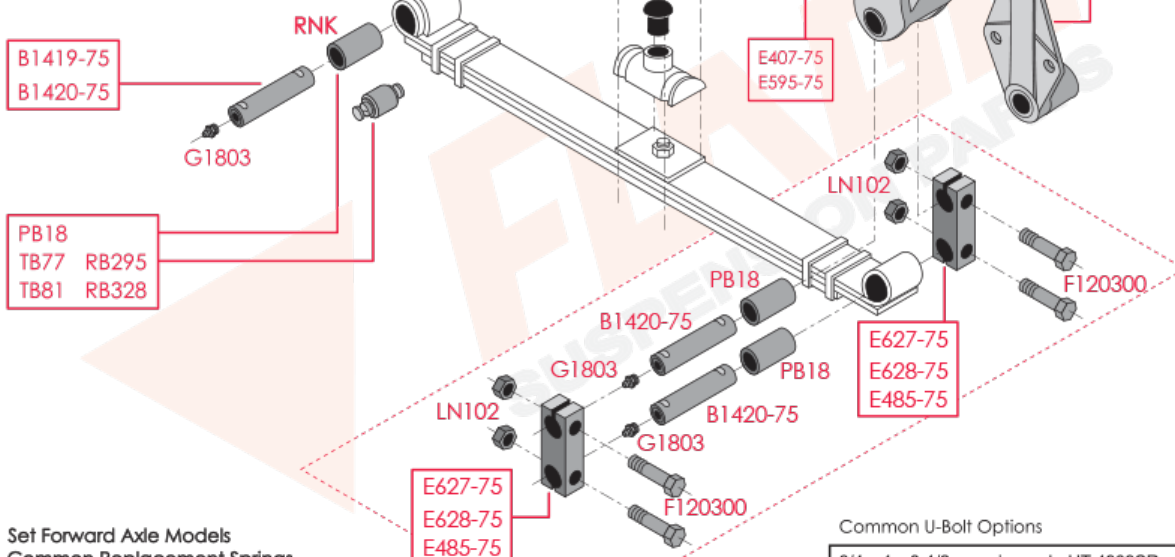
E940-75
E947-75



E912-59 Includes RB295

E913-59 Includes TB81

E732-75 - Conventional Models
Contains PB18.



Set Forward Axle Models Common Replacement Springs

Description	Part #
pad/2 leaf: 6,570 lbs. rating	75-220
3 pads/2 leaf: 5,400 lbs. rating	75-212
3 pads/2 leaf: 5,600 lbs. rating	75-228
pad/3 leaf/1 leaf, 10,500 lbs. rating	75-218
pad/3 leaf: 8,200 lbs. rating	75-160
pad/5 leaf/1 leaf: 8,200 lbs. rating	75-202
pad/5 leaf/1 leaf: 9,200 lbs. rating	75-170
pad/6 leaf/1 leaf: 10,800 lbs. rating	75-202HD
pad/6 leaf/1 leaf: 12,700 lbs. rating	75-170HD

PB103 - Uses E627-75
PB104 - Uses E628-75

Set Backward Axle Models Common Replacement Springs

Description	Part #
4 pads/2 leaf: 5,400 lbs. rating	75-210
4 pads/2 leaf: 6,570 lbs. rating	75-208
pad/3 leaf/1 leaf/1 leaf: 10,500 lbs. rating	75-232
2 pads/3 leaf/1 leaf, 10,000 lbs. rating	75-240

Common U-Bolt Options

3/4 x 4 x 8-1/2 - semi-round - UT-4909SR
3/4 x 4 x 9-1/2 - semi-round - UBK162
3/4 x 4 x 10-1/2 - semi-round - UBK162
3/4 x 4 x 12-1/2 - semi-round - UBK165
7/8 x 4 x 10-1/2 - semi-round - UT-5511SR

Note: U-Bolt numbers shown are only the most common. This is not intended to be an all encompassing list.

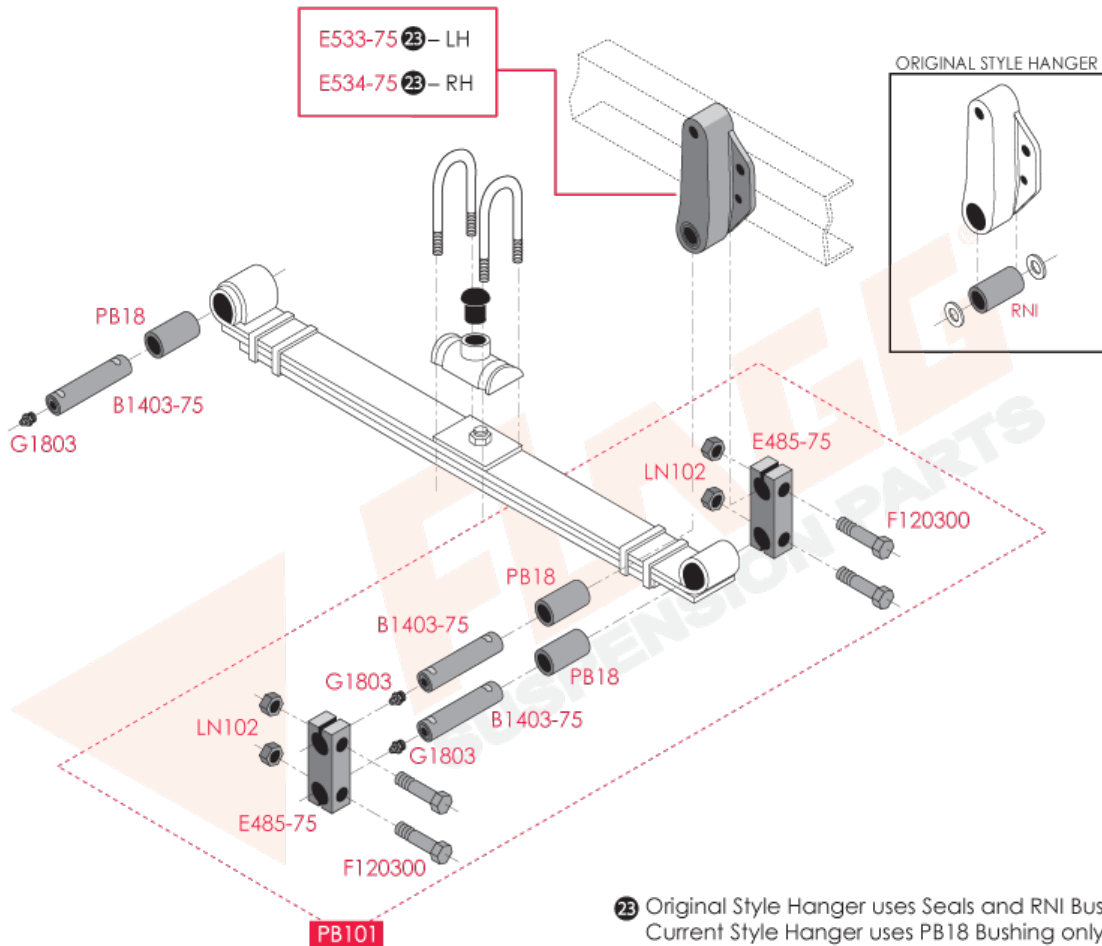
Note: Spring part numbers shown above are only the most common. This is not intended to be an all-encompassing list. Careful verification of all dimensions, capacity and specific application installation factors will determine the final selection of the replacement spring.

© 2019 Triangle Suspension Systems Inc.

Peterbilt, Steering Axle, Cabover Models, with 4" wide Spring, Front, Truck/Tractor Suspension



PETERBILT STEERING AXLE SPRINGS WITH 4" WIDE SPRINGS TRUCK/TRACTOR SUSPENSION



23 Original Style Hanger uses Seals and RNI Bushing. Current Style Hanger uses PB18 Bushing only.

Common Replacement Springs

Description	Part #
2 pads/3 leaf - 5,600 lb. rating	75-136
6/5 leaf - 5,600 lb. rating	75-138

© 2013 Triangle Suspension Systems Inc.

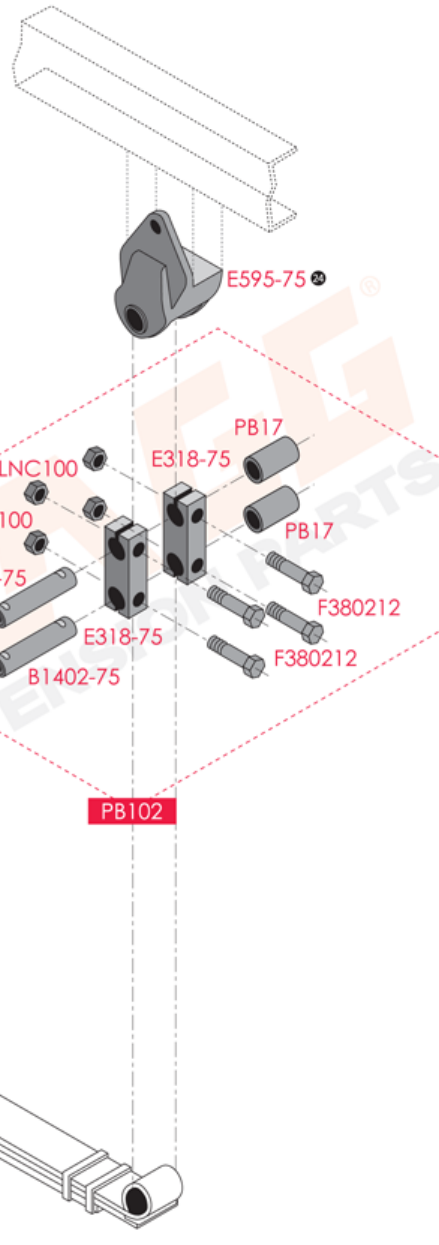
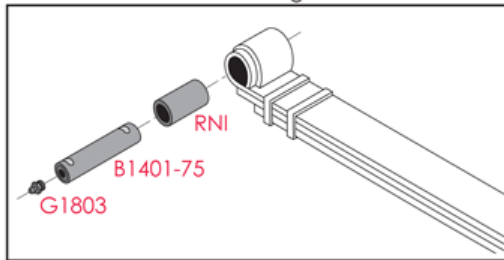
Note: Spring part numbers shown above are only the most common. This is not intended to be an all-encompassing list. Careful verification of all dimensions, capacity and specific application installation factors will determine the final selection of the replacement spring.

Peterbilt, Steering Axle, Conventional Models, Cast Eye with 3-1/2" wide Spring, Front, Truck/Tractor Suspension



PETERBILT STEERING AXLE CONVENTIONAL MODELS - NEW STYLE (FRONT) With 3-1/2" Wide Spring TRUCK/TRACTOR SUSPENSION

LEAF SPRING- Alternate Design



⊗ Original Style Hanger uses Seals and RNG Bushing. Current Style Hanger uses PB17 Bushing Only

© 2013 Triangle Suspension Systems Inc.

Peterbilt, Steering Axle, Conventional and C.O.E. Models 348, 349, 359,362 with 3-1/2" Spring, Front, Truck/Tractor Suspension

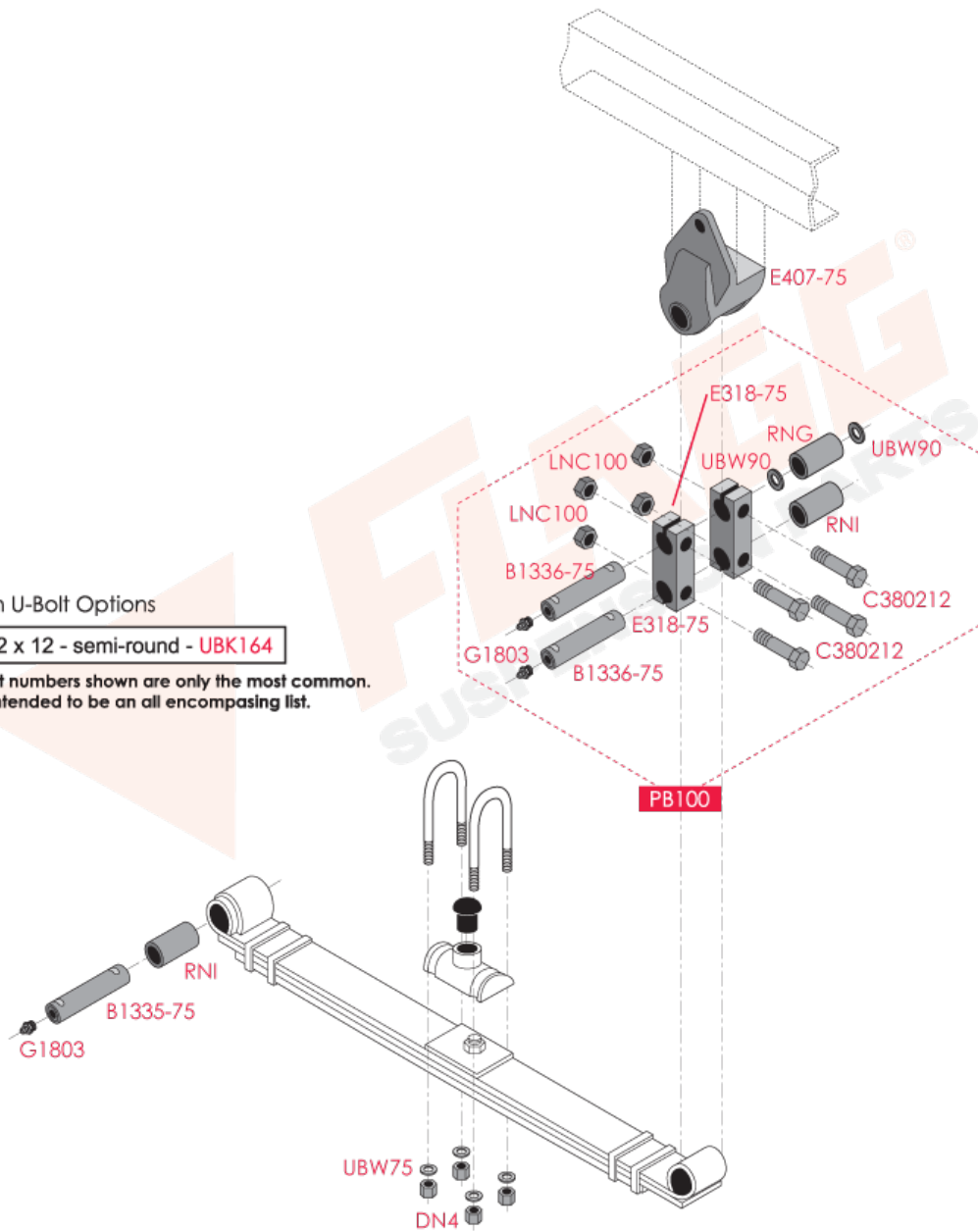


PETERBILT STEERING AXLE CONVENTIONAL MODELS - OLD STYLE (FRONT) With 3-1/2" Spring - TRUCK/TRACTOR SUSPENSION

Common U-Bolt Options

3/4 x 3-1/2 x 12 - semi-round - **UBK164**

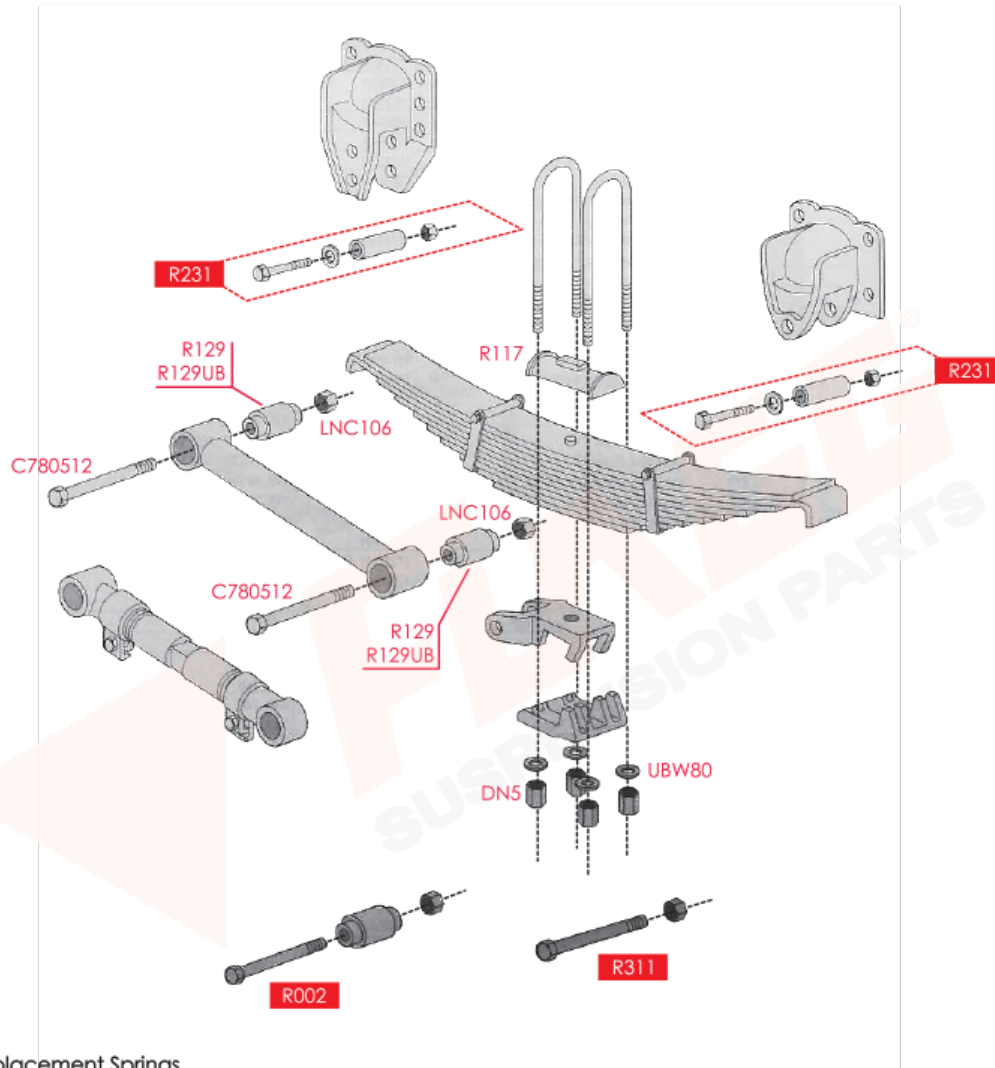
Note: U-Bolt numbers shown are only the most common. This is not intended to be an all encompassing list.



Reyco, 79KB Model - Single Axle, Rear, Truck/Tractor Suspension



REYCO 79KB MODEL - SINGLE AXLE TRUCK/TRACTOR SUSPENSION



Common Replacement Springs

Description	Part #
4 leaf - 9,350 lb. rating	83-257
4 leaf - 10,500 lb. rating	83-273
11 leaf, 2 main leaf - 10,000 lb. rating	83-221
13 leaf, 2 main leaf - 12,000 lb. rating	83-227
16 leaf, 4 main leaf - 14,500 lb. rating	83-217
14 leaf, 2 main leaf - 13,000 lb. rating	83-173
14 leaf, 4 main leaf - 13,000 lb. rating	83-201

Common U-Bolt Options

7/8 x 3 x 12-1/2 - round - UBK125
7/8 x 3 x 14-1/2 - round - UBK266
7/8 x 3 x 17-1/2 - round - UBK133
7/8 x 3 x 18-1/2 - round - UBK273
7/8 x 3 x 19-1/2 - round - UBK273

Note: U-Bolt numbers shown are only the most common. This is not intended to be an all encompassing list.

© 2019 Triangle Suspension Systems Inc.

Note: Spring part numbers shown above are only the most common. This is not intended to be an all-encompassing list. Careful verification of all dimensions, capacity and specific application installation factors will determine the final selection of the replacement spring.

Reyco, Model 102, with 50" Axle Spread, Rear, Truck/Tractor Suspension



REYCO MODEL 102 (REAR) - TRUCK/TRACTOR SUSPENSION

10141-01 - LH,
[Drilled, GM Models Only]
10142-01 - RH,
[Drilled, GM Models Only]
09623-01 - LH,
[Drilled, Ford Models Only]
09624-01 - RH,
[Drilled, Ford Models Only]
R134 - RH Ⓢ
R135 - LH Ⓢ
R288 - RH, Undrilled
R289 - LH, Undrilled

ADDITIONAL EQUALIZERS
- GM and FORD Models

R227 - Includes R161
R286 - Includes R161
R285 - Includes R162

R269 - Includes R161
R295 - Includes R162

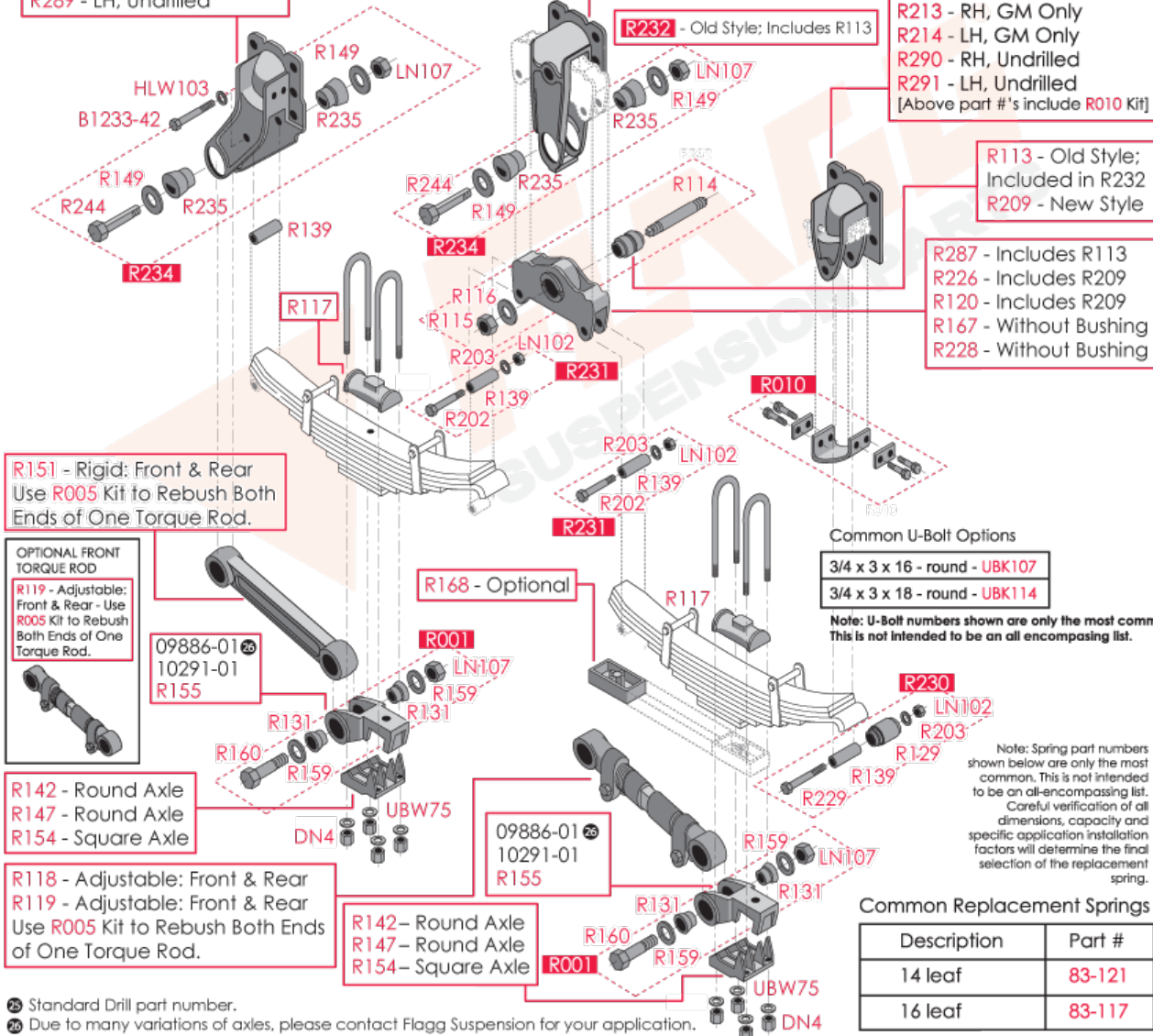
R161 - GM & Ford, Since 1984; Included in R269 Kit
R162 - Ford, Prior to 1984; Included in R295 Kit

Ⓢ R136 - LH & RH, Use with R114 Shaft
- RH, Drilled [Ford Models Only]
R210 - LH & RH, Undrilled; Use with R114 Shaft
R211 - GM & Ford Models, LH & RH, Undrilled;
Use with R163 Bolt

09628-01 - RH, Drilled
09629-01 - LH, Drilled
R137 - LH Ⓢ
R138 - RH Ⓢ
R213 - RH, GM Only
R214 - LH, GM Only
R290 - RH, Undrilled
R291 - LH, Undrilled
[Above part #'s include R010 Kit]

R113 - Old Style;
Included in R232
R209 - New Style

R287 - Includes R113
R226 - Includes R209
R120 - Includes R209
R167 - Without Bushing
R228 - Without Bushing



R151 - Rigid: Front & Rear
Use R005 Kit to Rebush Both
Ends of One Torque Rod.

OPTIONAL FRONT
TORQUE ROD

R119 - Adjustable:
Front & Rear - Use
R005 Kit to Rebush
Both Ends of One
Torque Rod.

Common U-Bolt Options

3/4 x 3 x 16 - round - UBK107
3/4 x 3 x 18 - round - UBK114

Note: U-Bolt numbers shown are only the most common.
This is not intended to be an all encompassing list.

Note: Spring part numbers
shown below are only the most
common. This is not intended
to be an all-encompassing list.
Careful verification of all
dimensions, capacity and
specific application installation
factors will determine the final
selection of the replacement
spring.

Common Replacement Springs

Description	Part #
14 leaf	83-121
16 leaf	83-117

Ⓢ Standard Drill part number.
Ⓢ Due to many variations of axles, please contact Flagg Suspension for your application.

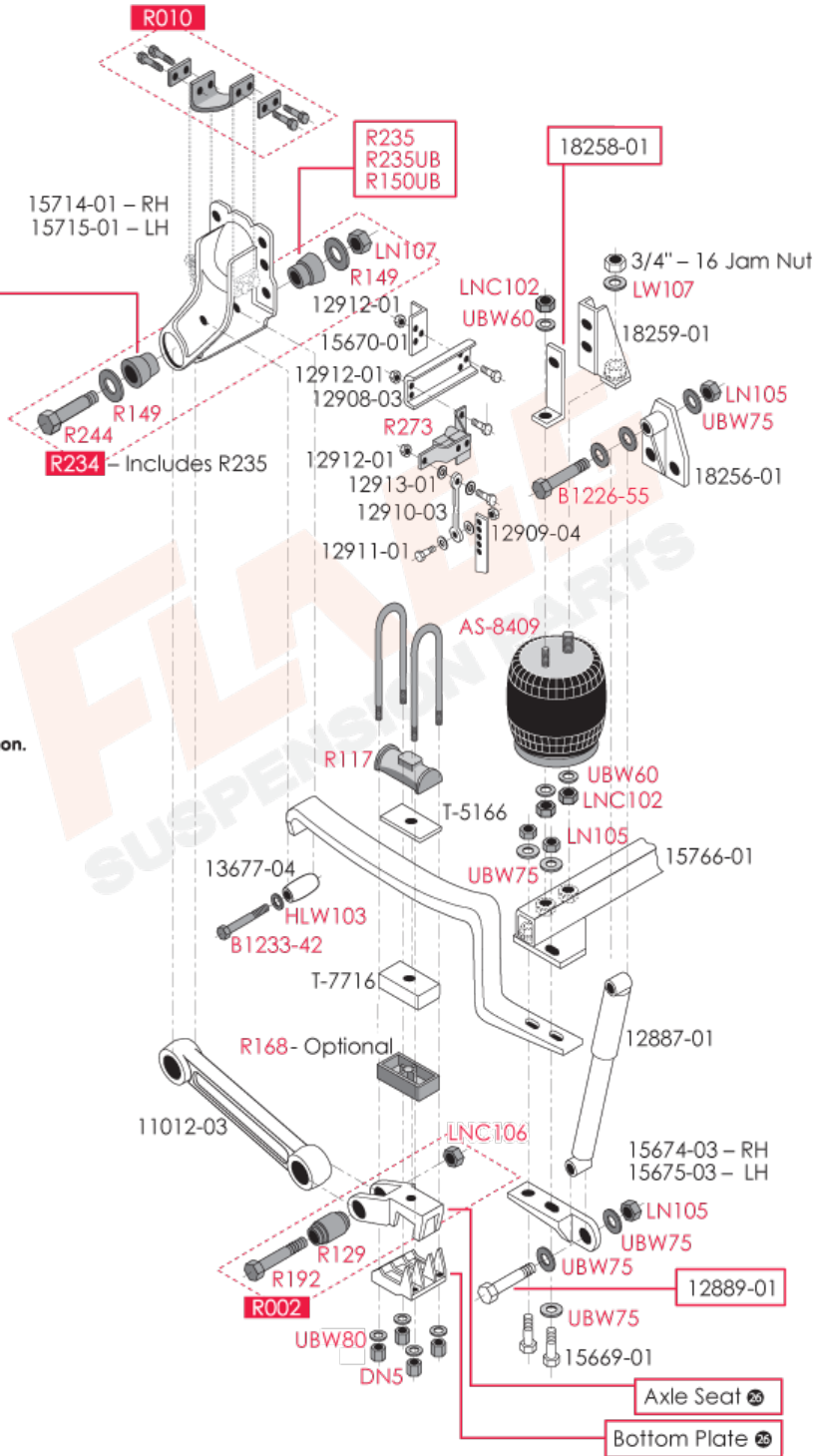
© 2013 Triangle Suspension Systems Inc.

Reyco, Model 102AR, Air Ride, Rear, Truck/Tractor Suspension



REYCO MODEL 102AR (REAR) TRUCK/TRACTOR SUSPENSION

- R235** – Rubber, New Style;
Included in R234
- R235UB** – Polyurethane, New Style;
Not Included in R234
- R150UB** – Polyurethane, Old Style;
Not Included in R234



Common U-Bolt Options

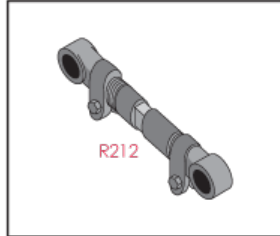
3/4 x 3 x 12-1/2 - round - **UBK104**

3/4 x 3 x 15-1/2 - round - **UBK106**

3/4 x 3 x 18-1/2 - round - **UBK114**

Note: U-Bolt numbers shown are only the most common.
This is not intended to be an all encompassing list.

OPTIONAL TORQUE ROD - Adjustable



Ⓢ Due to many variations of axles, please contact Flagg Suspension for your application.
© 2010 Triangle Suspension Systems Inc.

Reyco, Model 201, Rear, Truck/Tractor Suspension



REYCO MODEL 201 (REAR) - TRUCK/TRACTOR SUSPENSION

Common U-Bolt Options

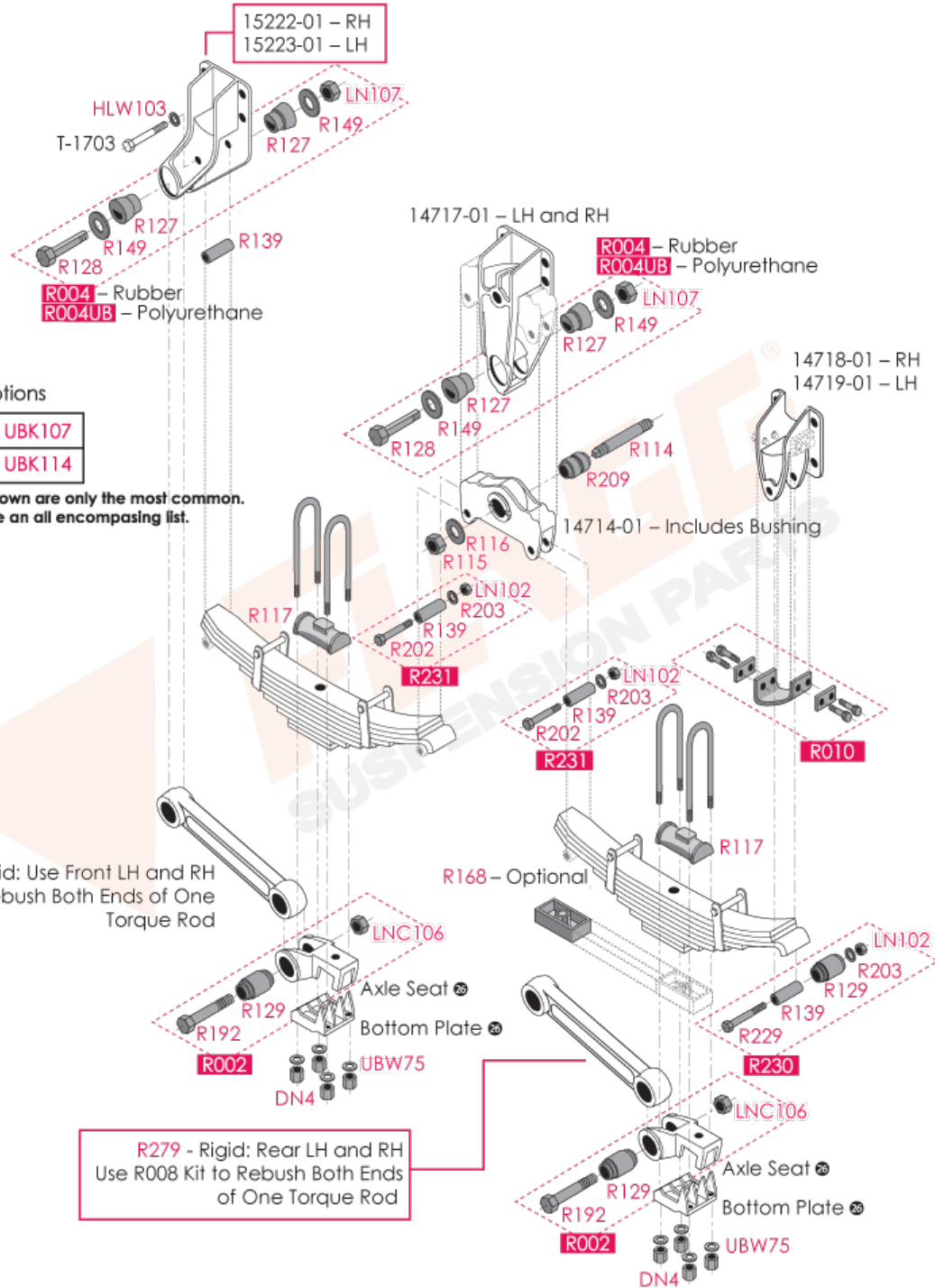
3/4 x 3 x 16 - round - **UBK107**

3/4 x 3 x 18 - round - **UBK114**

Note: U-Bolt numbers shown are only the most common. This is not intended to be an all encompassing list.

15220-02- Rigid: Use Front LH and RH R008 Kit to Rebush Both Ends of One Torque Rod

R279 - Rigid: Rear LH and RH Use R008 Kit to Rebush Both Ends of One Torque Rod



⊗ Due to many variations of axles, please contact Flagg Suspension for your application.

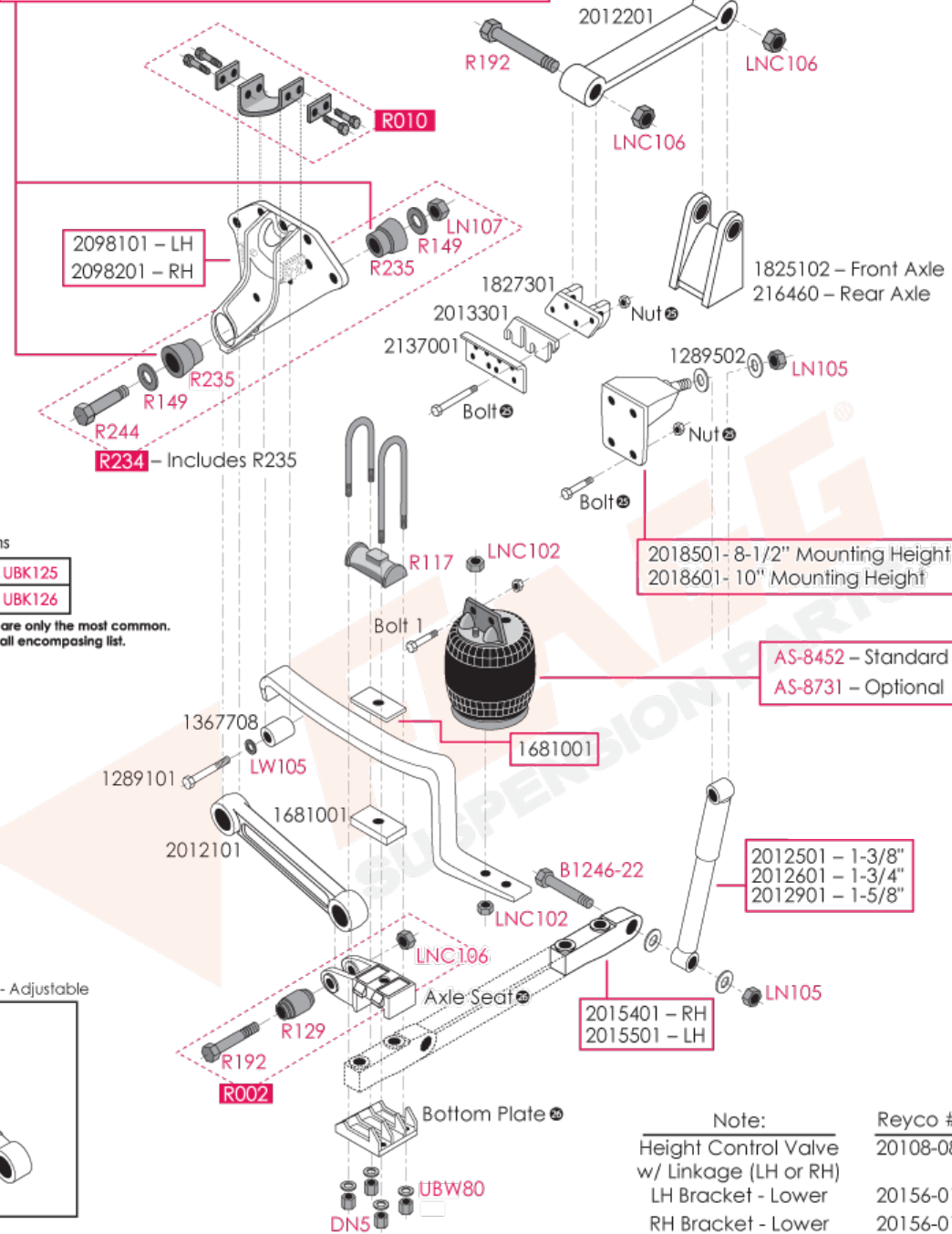
© 2010 Triangle Suspension Systems Inc.

Reyco, Model 240AR Air Ride, Rear, Truck/Tractor Suspension



REYCO MODEL 240AR (REAR) TRUCK/TRACTOR SUSPENSION

R235 – Rubber, New Style; Included in R234
 R235UB – Polyurethane, New Style; Not Included in R234
 R150UB – Polyurethane, Old Style; Not Included in R234

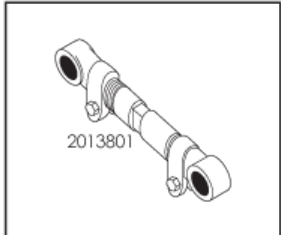


Common U-Bolt Options

- 7/8 x 3 x 12-1/2 - round - **UBK125**
- 7/8 x 3 x 15-1/2 - round - **UBK126**

Note: U-Bolt numbers shown are only the most common.
 This is not intended to be an all encompassing list.

OPTIONAL TORQUE ROD - Adjustable



⊗ Standard Drill part number.

⊗ Due to many variations of axles, please contact Flagg Suspension for your application.

© 2010 Triangle Suspension Systems Inc.

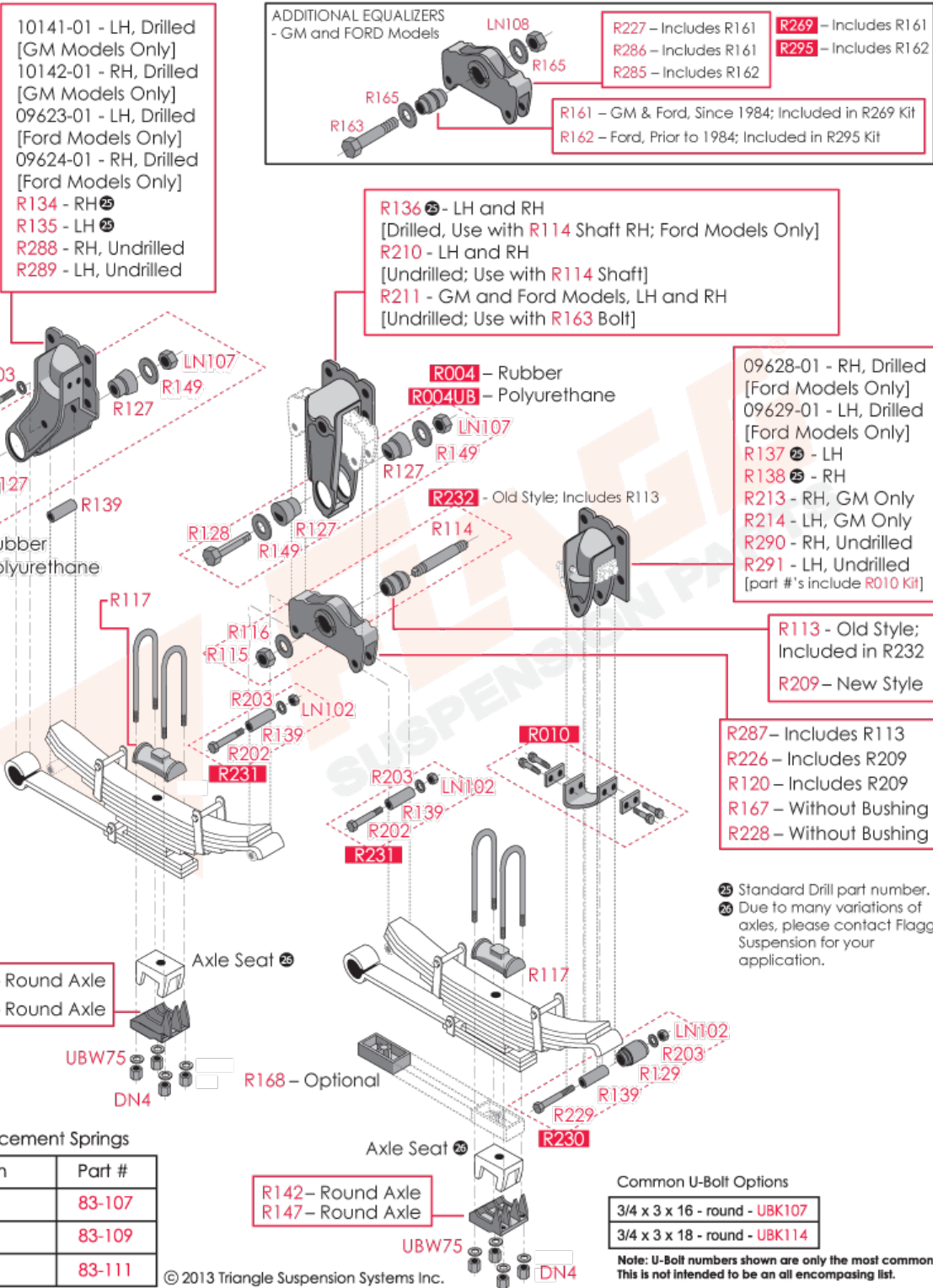
Note:
 Height Control Valve
 w/ Linkage (LH or RH)
 LH Bracket - Lower
 RH Bracket - Lower

Reyco #
 20108-08
 20156-01
 20156-01

Reyco, Models 101, 101A, Rear, Truck/Tractor Suspension



REYCO MODEL 101 (REAR) - TRUCK/TRACTOR SUSPENSION



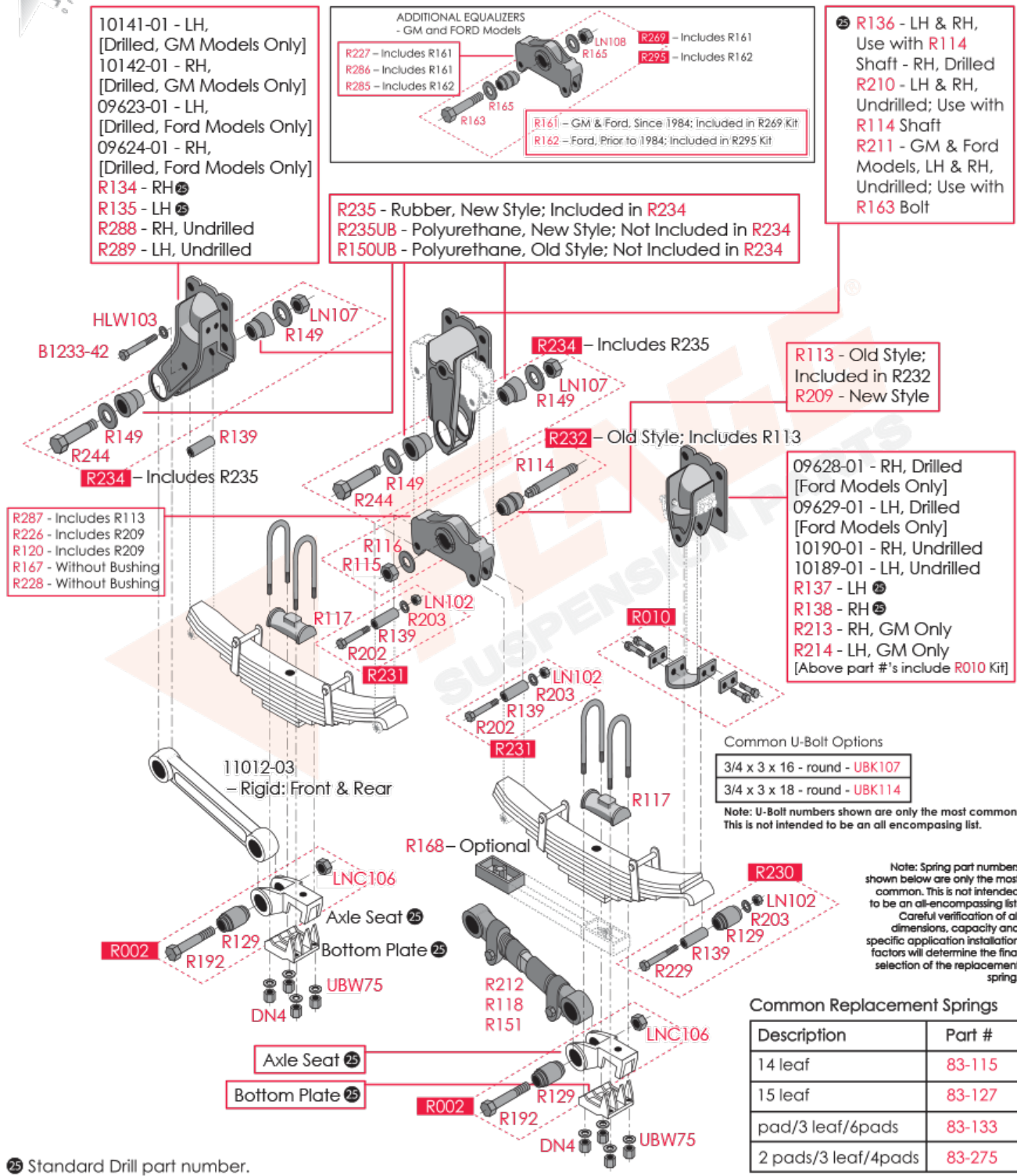
Note: Spring part numbers shown above are only the most common. This is not intended to be an all-encompassing list. Careful verification of all dimensions, capacity and specific application installation factors will determine the final selection of the replacement spring.

Reyco, Models 102, 102W, Rear, Truck/Tractor Suspension



REYCO

MODEL 102 W (REAR) - TRUCK/TRACTOR SUSPENSION



25 Standard Drill part number.
 26 Due to many variations of axles, please contact Flag Suspension for your application.

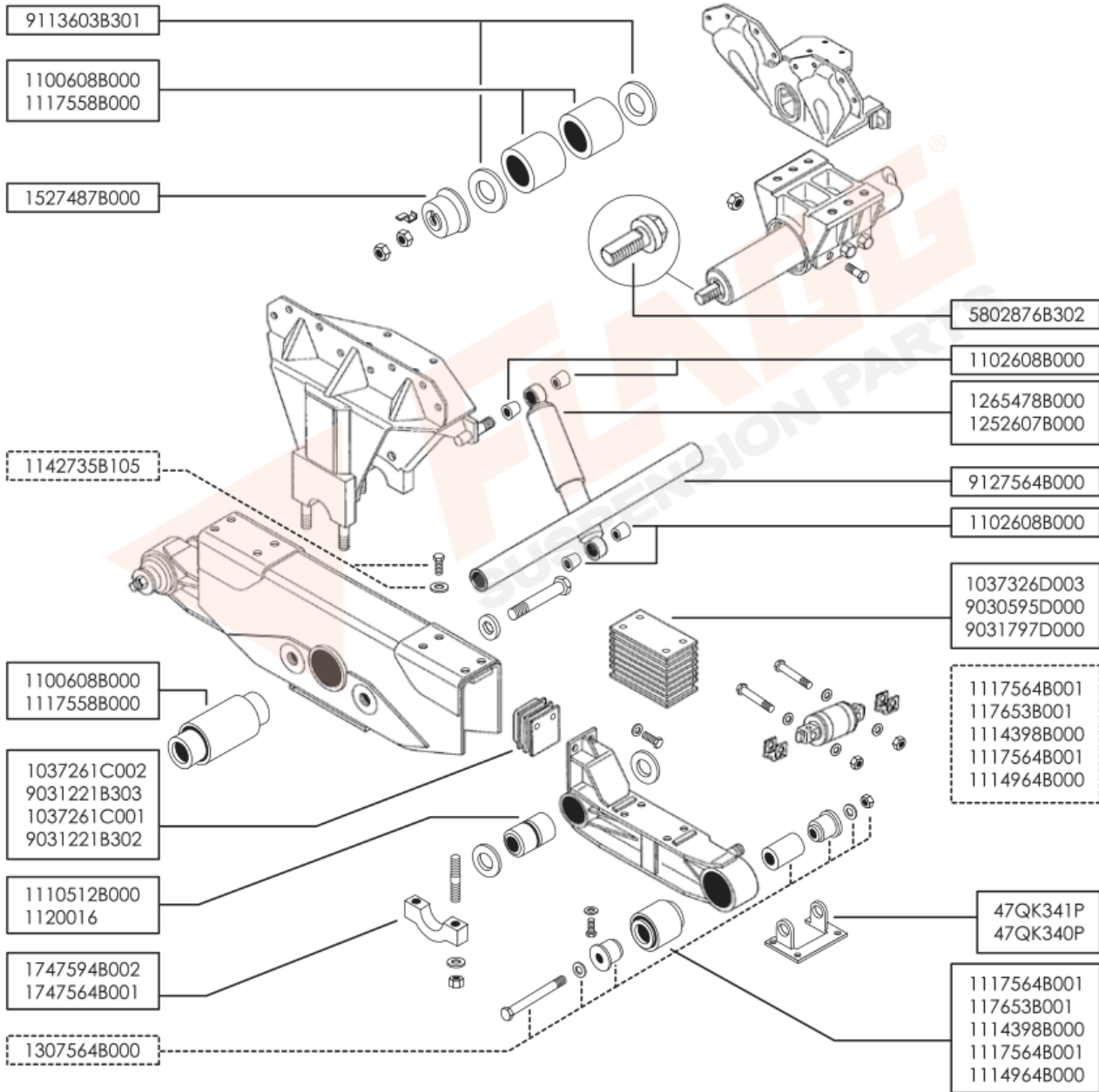
Ridewell, Model RD202B/C/S, Dynalastic Spring, Rear, Truck/Tractor Suspension



RIDEWELL RD202B/C/S DYNALASTIC SPRING TRUCK SUSPENSION

***BOLD RED NUMBERS REFLECT TRIANGLE PART NUMBERS**

**ITALICIZED BLACK NUMBERS REFLECT OEM NUMBERS (USE FOR REFERENCE ONLY)*



© 2019 Triangle Suspension Systems Inc.

Suspension Application Guide

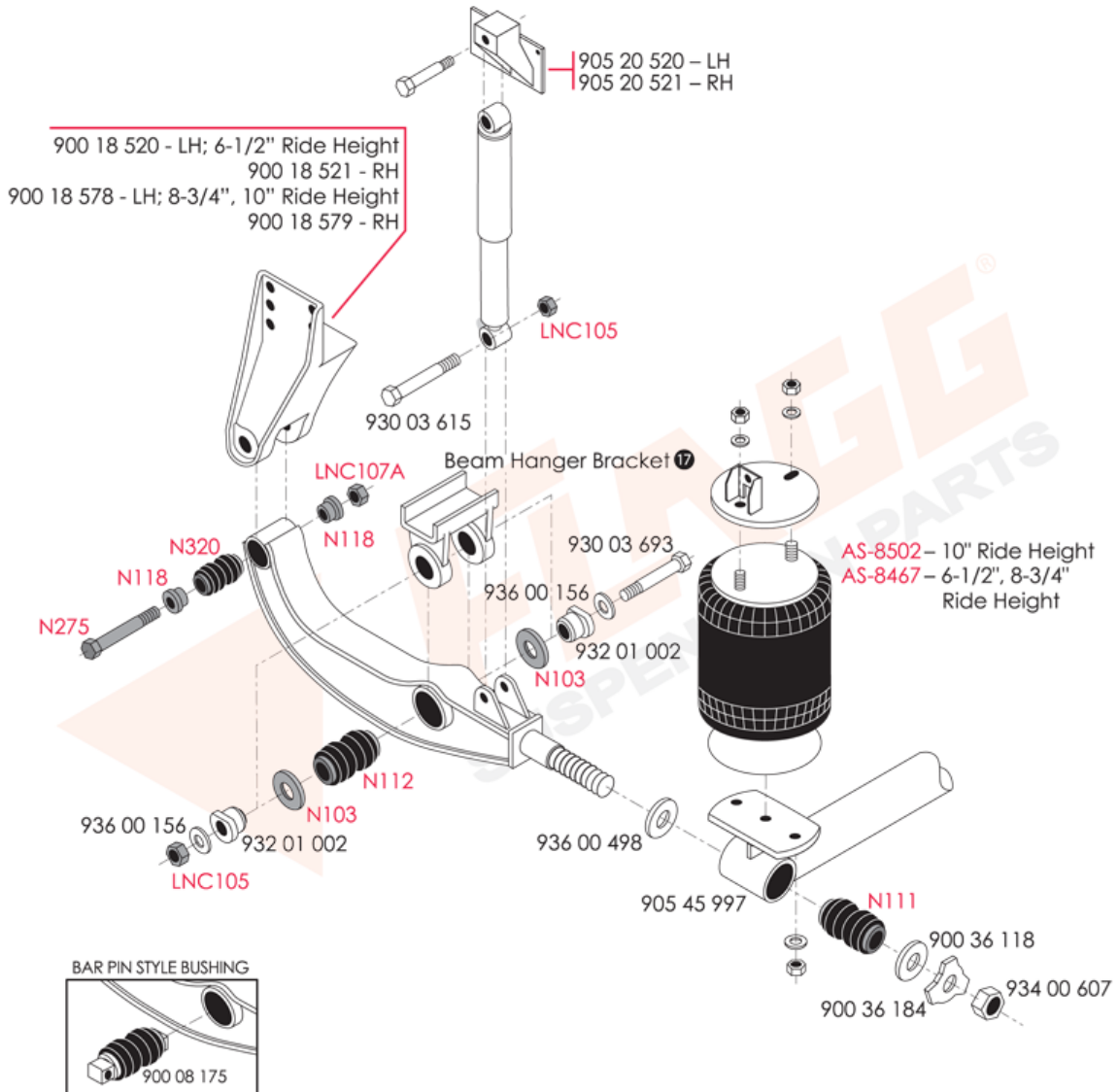
Table of Contents by Vehicle Application Type

~~ SAF Holland Truck/Tractor Suspension ~~	Page
SAF Holland Neway, AD-123-6.5, 8.75, 10, Rear	220
SAF Holland Neway, AD-246-6.5, 8.75, 10, Rear	321
SAF Holland Neway, ADZ Models, Rear	322
SAF Holland Neway, AL-75-B, Rear	323
SAF Holland Neway, ARD-120-6, Rear	324
SAF Holland Neway, ARD-125-6, -8, Rear	325
SAF Holland Neway, ARD-234-6, Rear	326
SAF Holland Neway, ARD-238-6, Rear	327
SAF Holland Neway, ARD-244-6, -8, Rear	328
SAF Holland Neway, ARDAB-120- 5, Rear	329
SAF Holland Neway, ARDAB-240- 5, Rear	330
SAF Holland Neway, ART-505-C -1, Rear	331
SAF Holland Neway, ART-505-C, Rear	332
SAF Holland Neway, ART-550-US -1, Rear	333
SAF Holland Neway, ART-550-US -2, Rear	334
SAF Holland Neway, ART-550-US -3, Rear	335
SAF Holland Neway, ART-555-C -1, Rear	336
SAF Holland Neway, ART-555-C -2, Rear	337
SAF Holland Neway, ART-555-C -3, Rear	338
SAF Holland Neway, AS Series, Front	339
SAF Holland Neway, ASB Series, Front	340
SAF Holland Neway, Model ARDTB-125-6, Rear	341
SAF Holland Neway, TA-800-B-5, Rear	342
SAF Holland Neway, TA-800-C-5, Rear	343

SAF Holland Neway, AD-123-6.5, 8.75, 10, Rear, Truck/Tractor Suspension



SAF HOLLAND NEWAY AD-123-6.5, 8.75, 10 (REAR) TRUCK/TRACTOR SUSPENSION



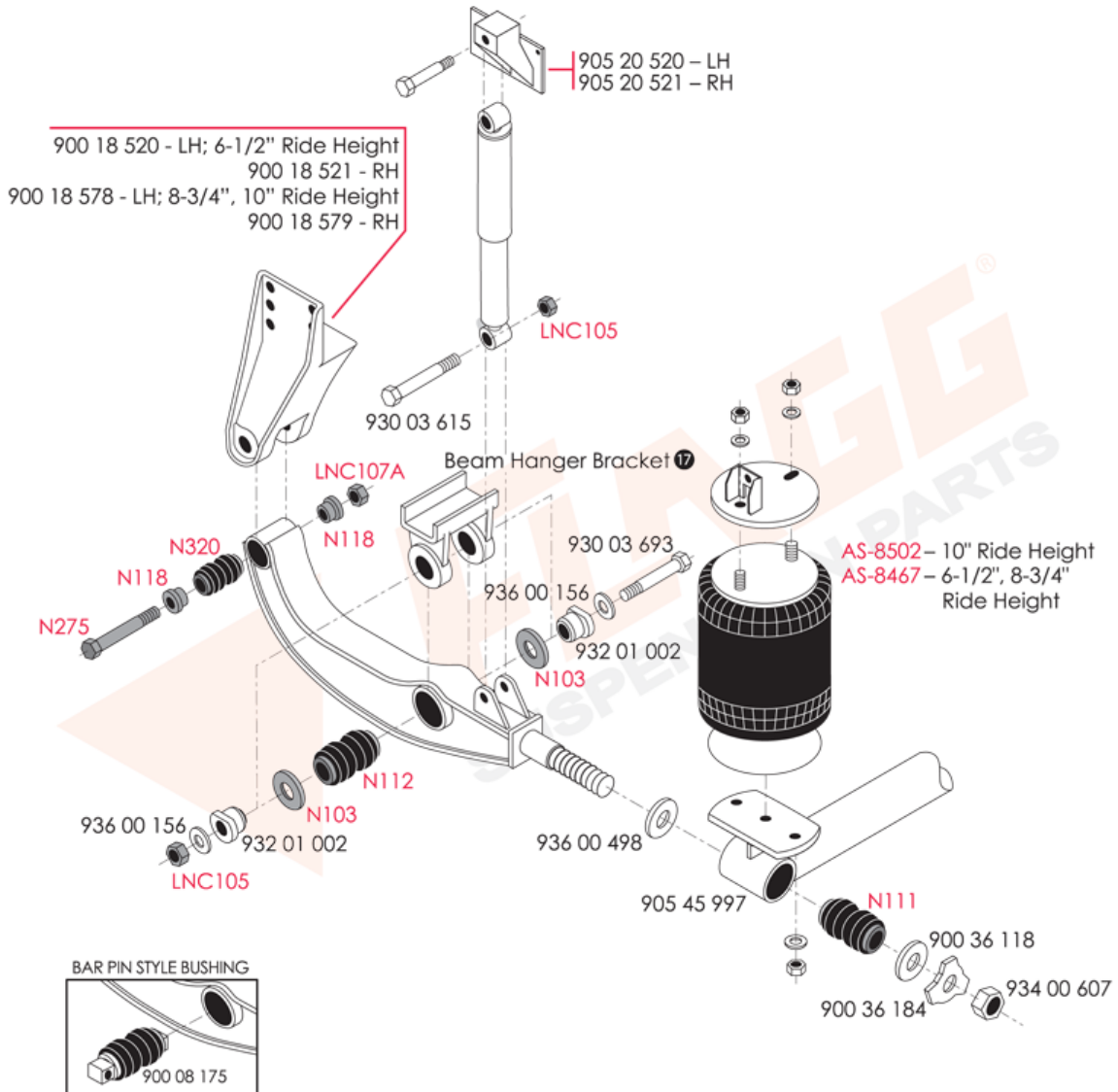
17 Available Only through the Axle Manufacturer.

© 2010 Triangle Suspension Systems Inc.

SAF Holland Neway, AD-246-6.5, 8.75, 10, Rear, Truck/Tractor Suspension



SAF HOLLAND NEWAY AD-246-6.5, 8.75, 10 (REAR) TRUCK/TRACTOR SUSPENSION



17 Available Only through the Axle Manufacturer.

© 2010 Triangle Suspension Systems Inc.

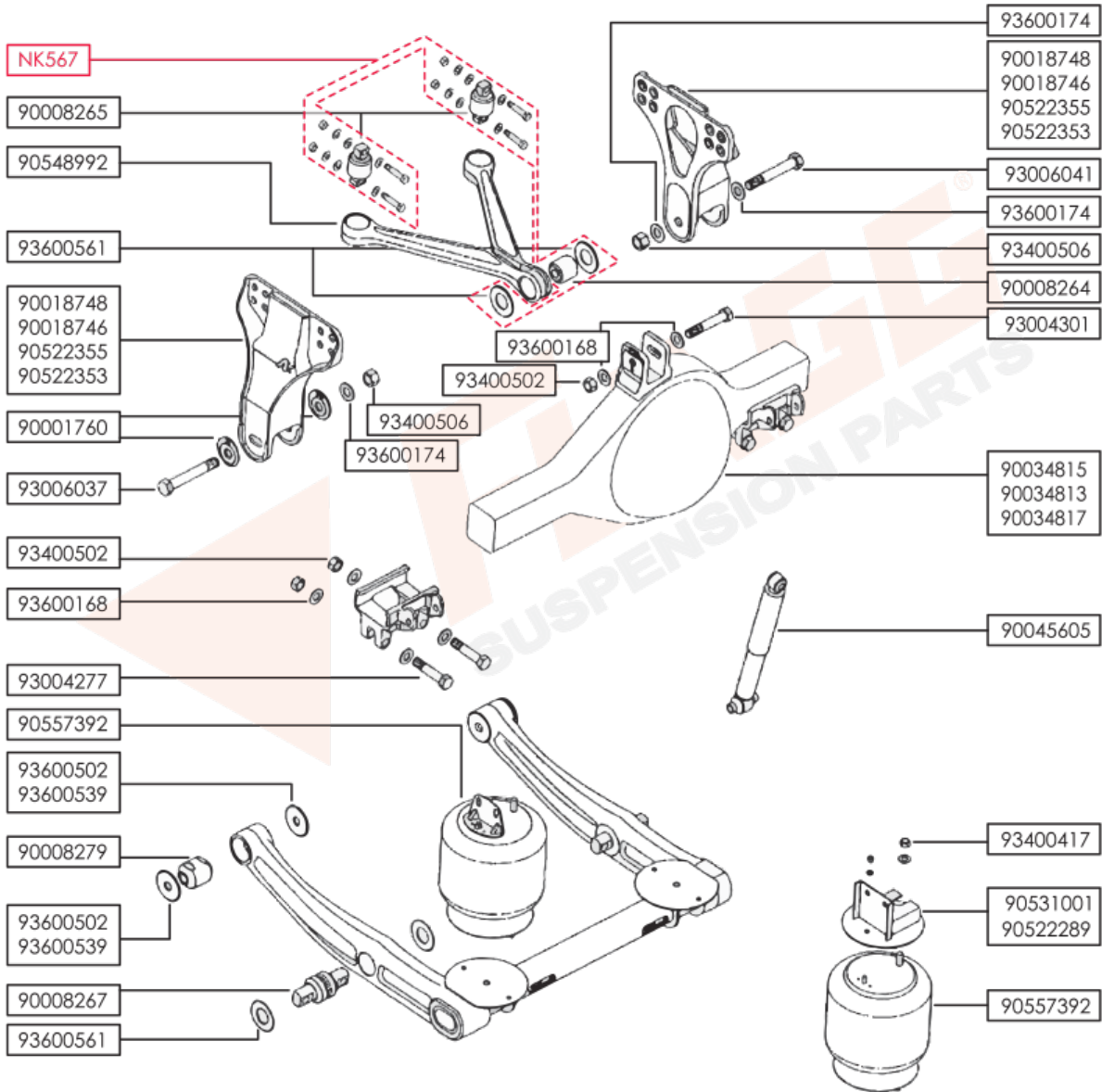
SAF Holland Neway, ADZ Models, Rear, Truck/Tractor Suspension



SAF HOLLAND NEWAY ADZ MODELS TRUCK/TRACTOR SUSPENSION

***BOLD RED NUMBERS REFLECT TRIANGLE PART NUMBERS**

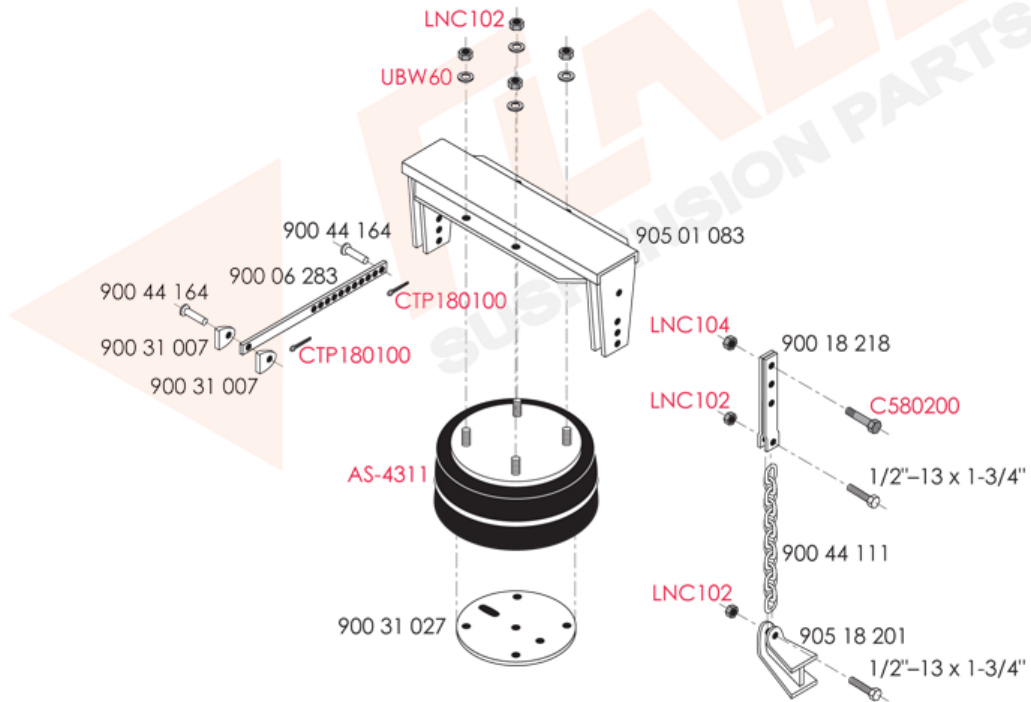
**ITALICIZED BLACK NUMBERS REFLECT OEM NUMBERS (USE FOR REFERENCE ONLY)*



SAF Holland Neway, AL-75-B, Rear, Truck/Tractor Suspension



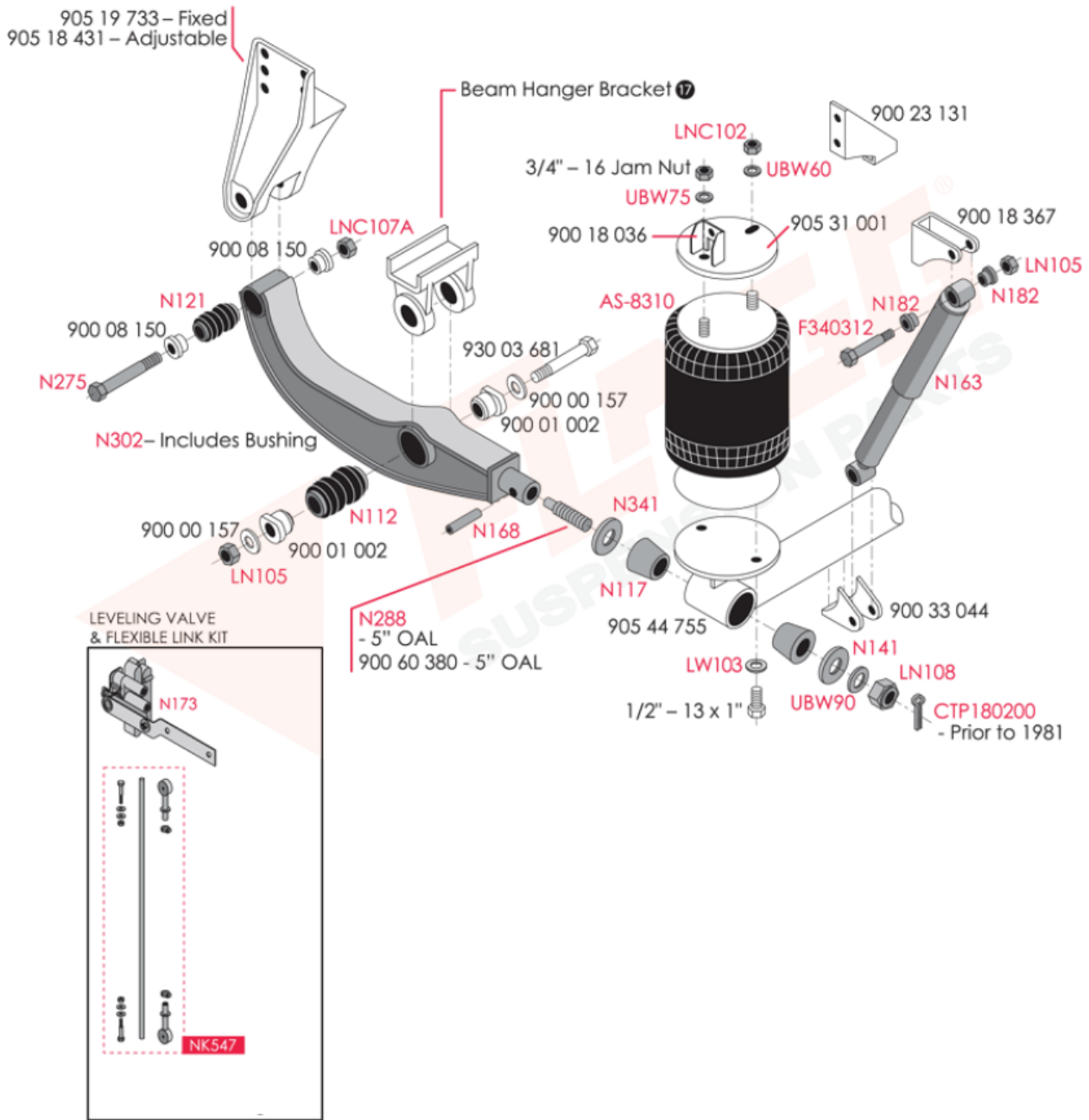
SAF HOLLAND NEWAY AL-75-B TRUCK/TRACTOR SUSPENSION



SAF Holland Neway, ARD-120-6, Rear, Truck/Tractor Suspension



SAF HOLLAND NEWAY ARD-120-6 (REAR) TRUCK/TRACTOR SUSPENSION

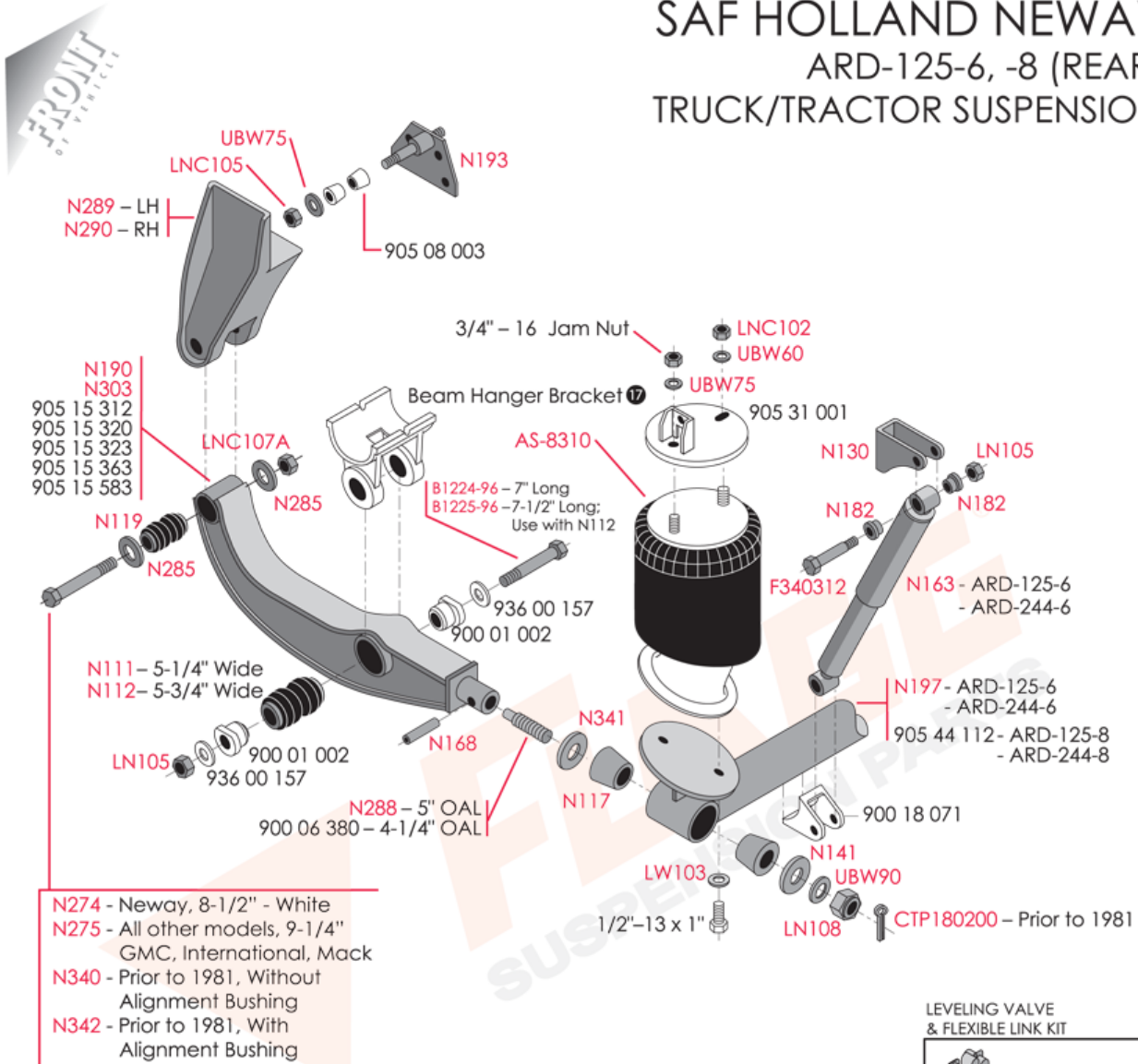


¹⁷ Available Only through the Axle Manufacturer.

© 2019 Triangle Suspension Systems Inc.

SAF Holland Neway, ARD-125-6, -8, Rear, Truck/Tractor Suspension

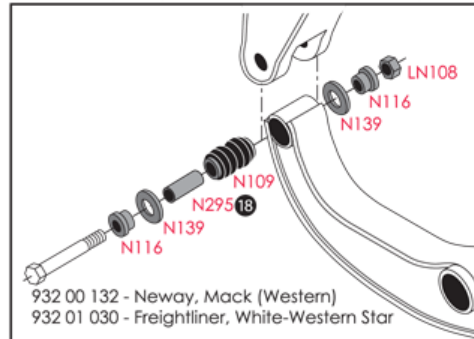
SAF HOLLAND NEWAY ARD-125-6, -8 (REAR) TRUCK/TRACTOR SUSPENSION



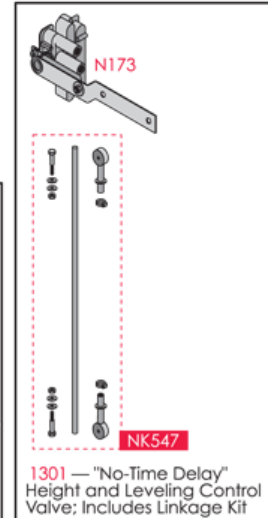
¹⁷ Available Only through the Axle Manufacturer.

¹⁸ Delrin Liner can be used in the N109 Bushing to reduce the Inside Diameter to 1-1/8".

OPTIONAL BUSHING ASSEMBLY - Models Prior to 1981.



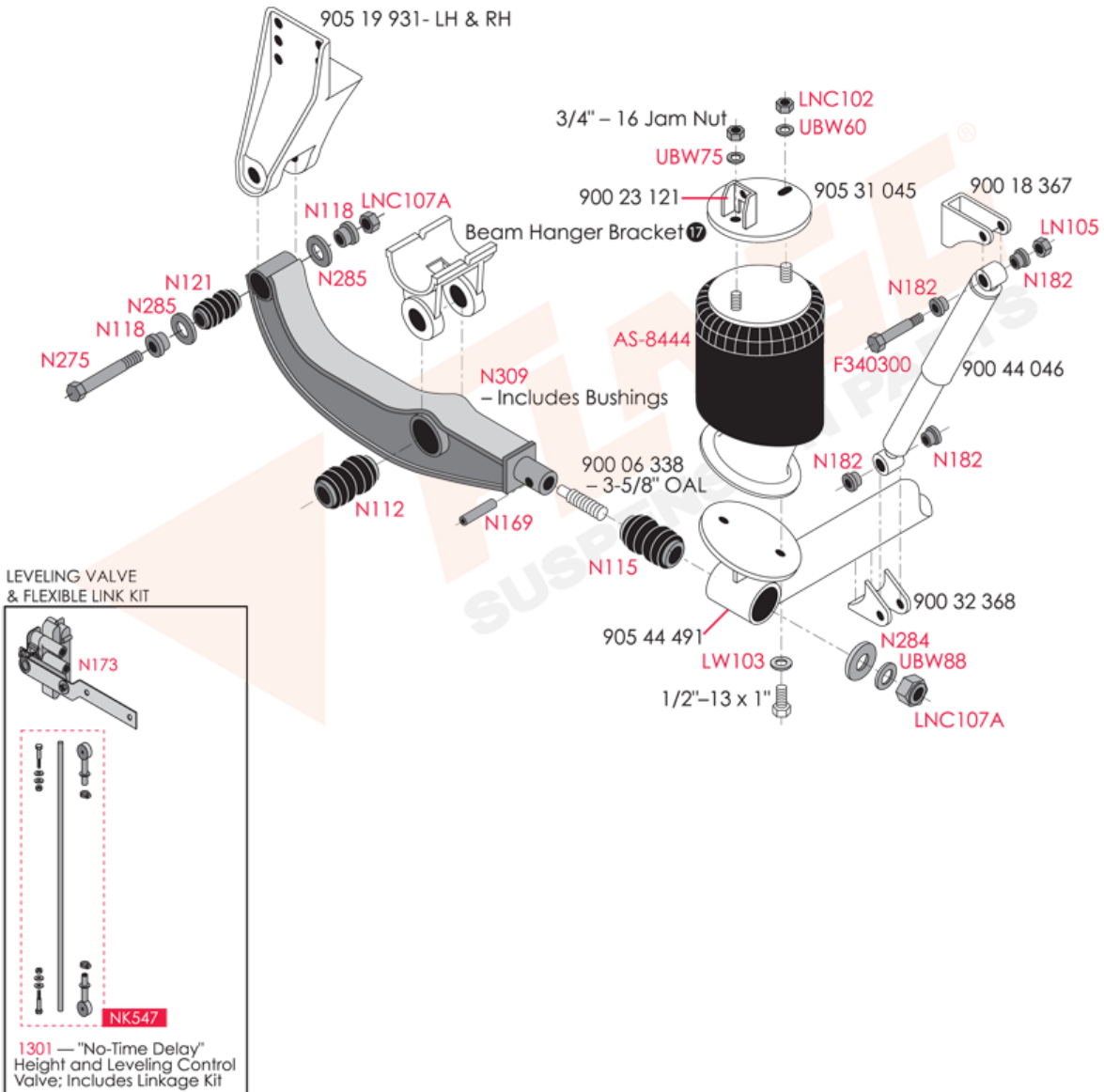
LEVELING VALVE
& FLEXIBLE LINK KIT



SAF Holland Neway, ARD-234-6, Rear, Truck/Tractor Suspension



SAF HOLLAND NEWAY ARD-234-6 (REAR) TRUCK/TRACTOR SUSPENSION



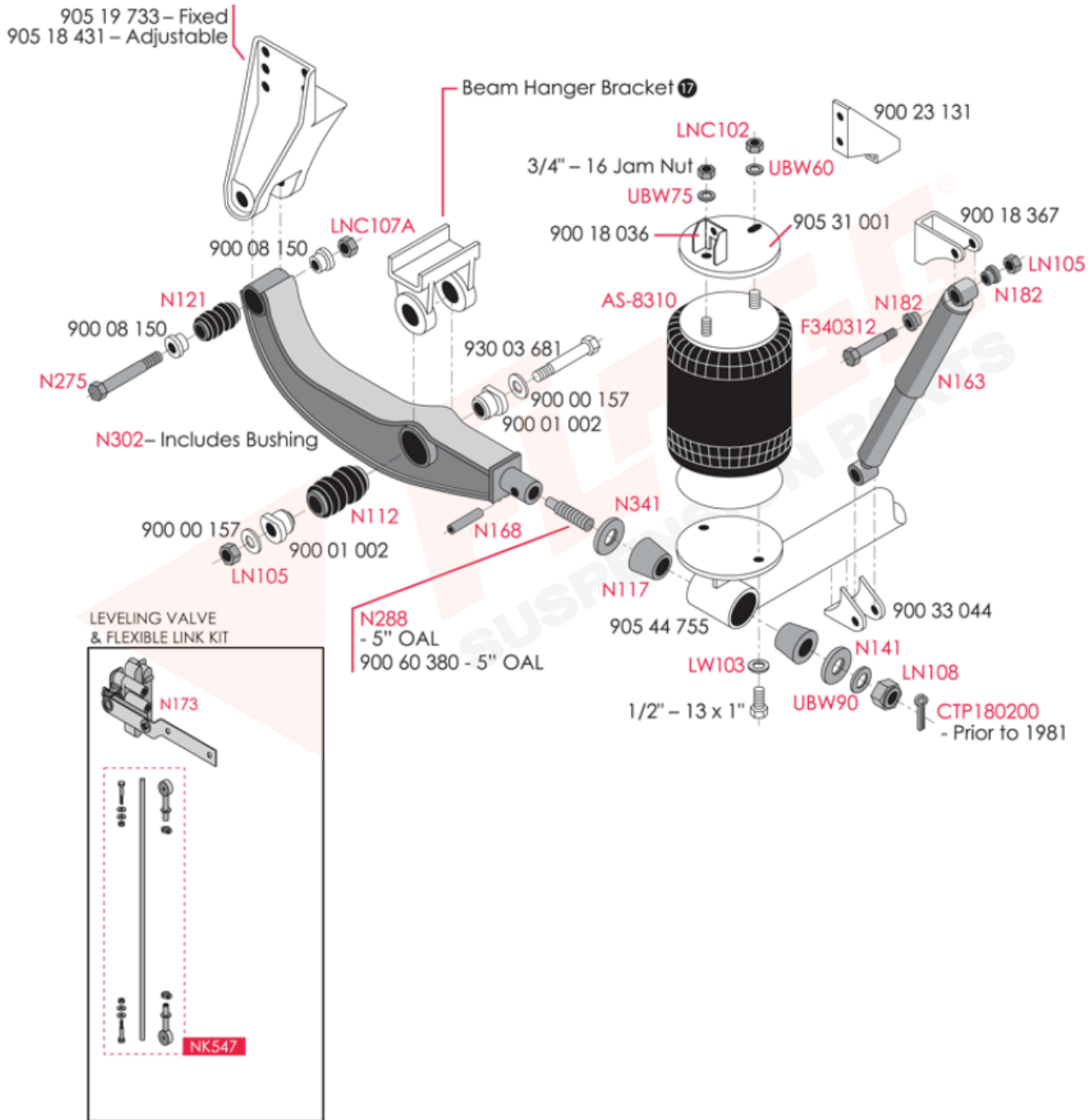
¹⁷ Available Only through the Axle Manufacturer.

© 2010 Triangle Suspension Systems Inc.

SAF Holland Neway, ARD-238-6, Rear, Truck/Tractor Suspension



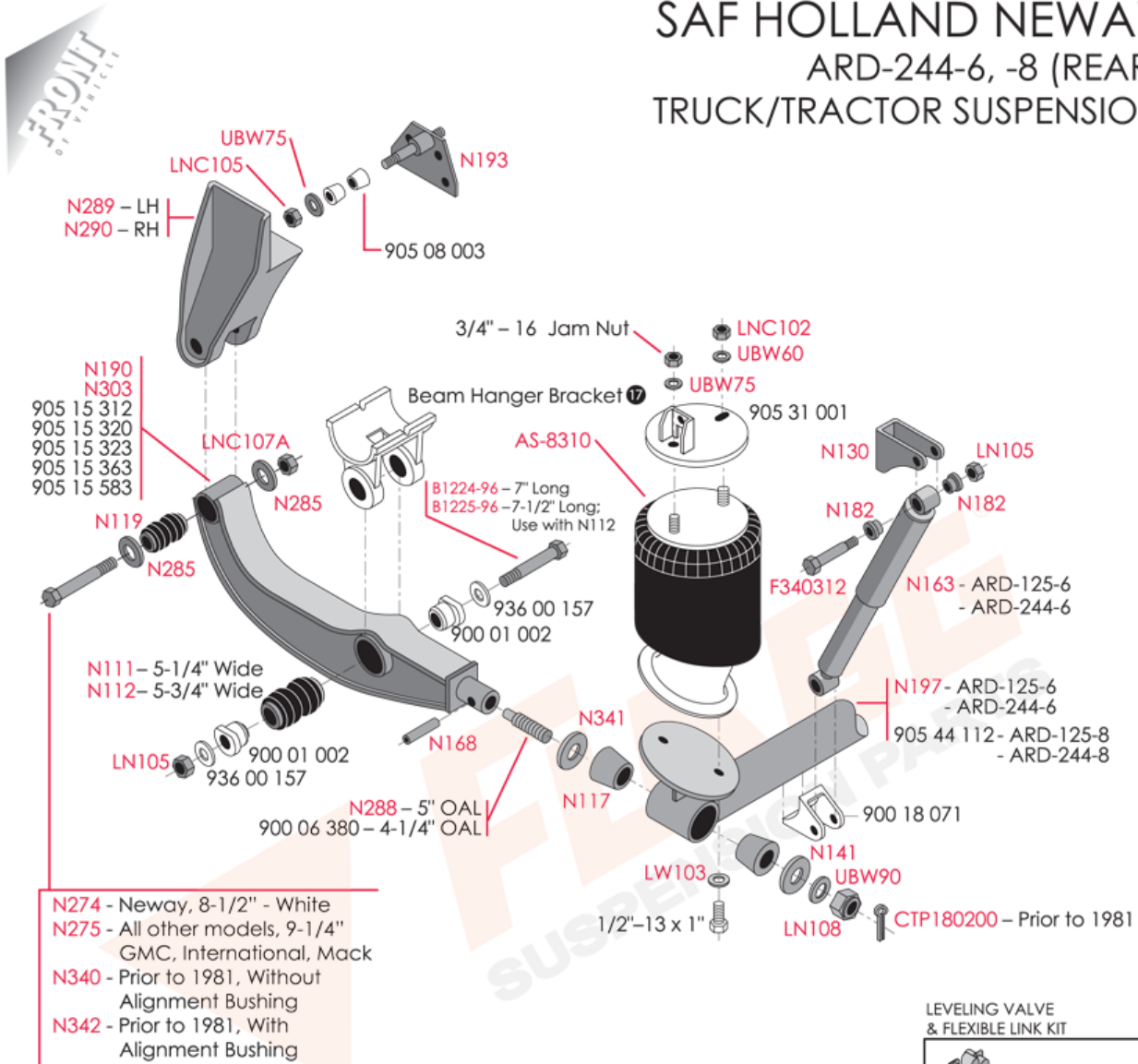
SAF HOLLAND NEWAY ARD-238-6 (REAR) TRUCK/TRACTOR SUSPENSION



¹⁷ Available Only through the Axle Manufacturer.

SAF Holland Neway, ARD-244-6, -8, Rear, Truck/Tractor Suspension

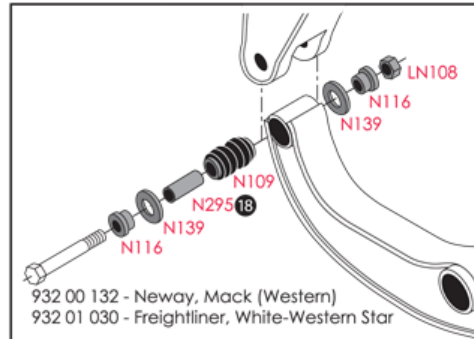
SAF HOLLAND NEWAY ARD-244-6, -8 (REAR) TRUCK/TRACTOR SUSPENSION



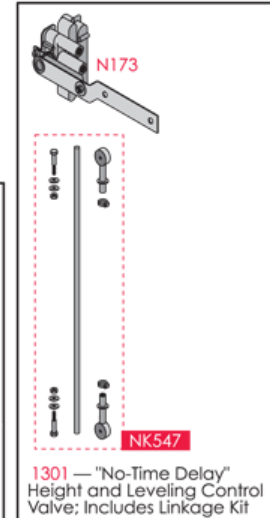
¹⁷ Available Only through the Axle Manufacturer.

¹⁸ Delrin Liner can be used in the N109 Bushing to reduce the Inside Diameter to 1-1/8".

OPTIONAL BUSHING ASSEMBLY - Models Prior to 1981.



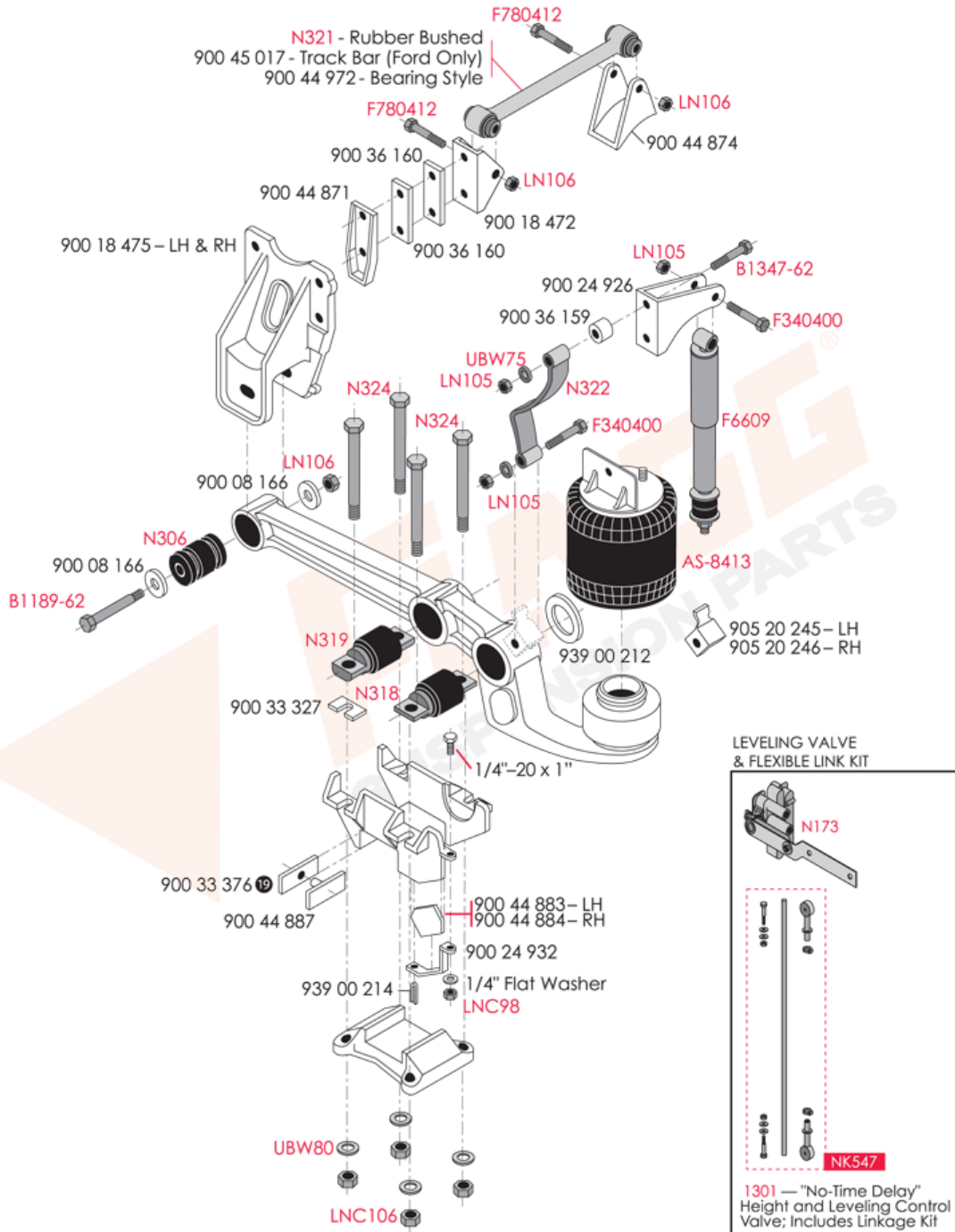
LEVELING VALVE
& FLEXIBLE LINK KIT



SAF Holland Neway, ARDAB-120- 5, Rear, Truck/Tractor Suspension



SAF HOLLAND NEWAY ARDAB-120-5 (REAR) TRUCK/TRACTOR SUSPENSION



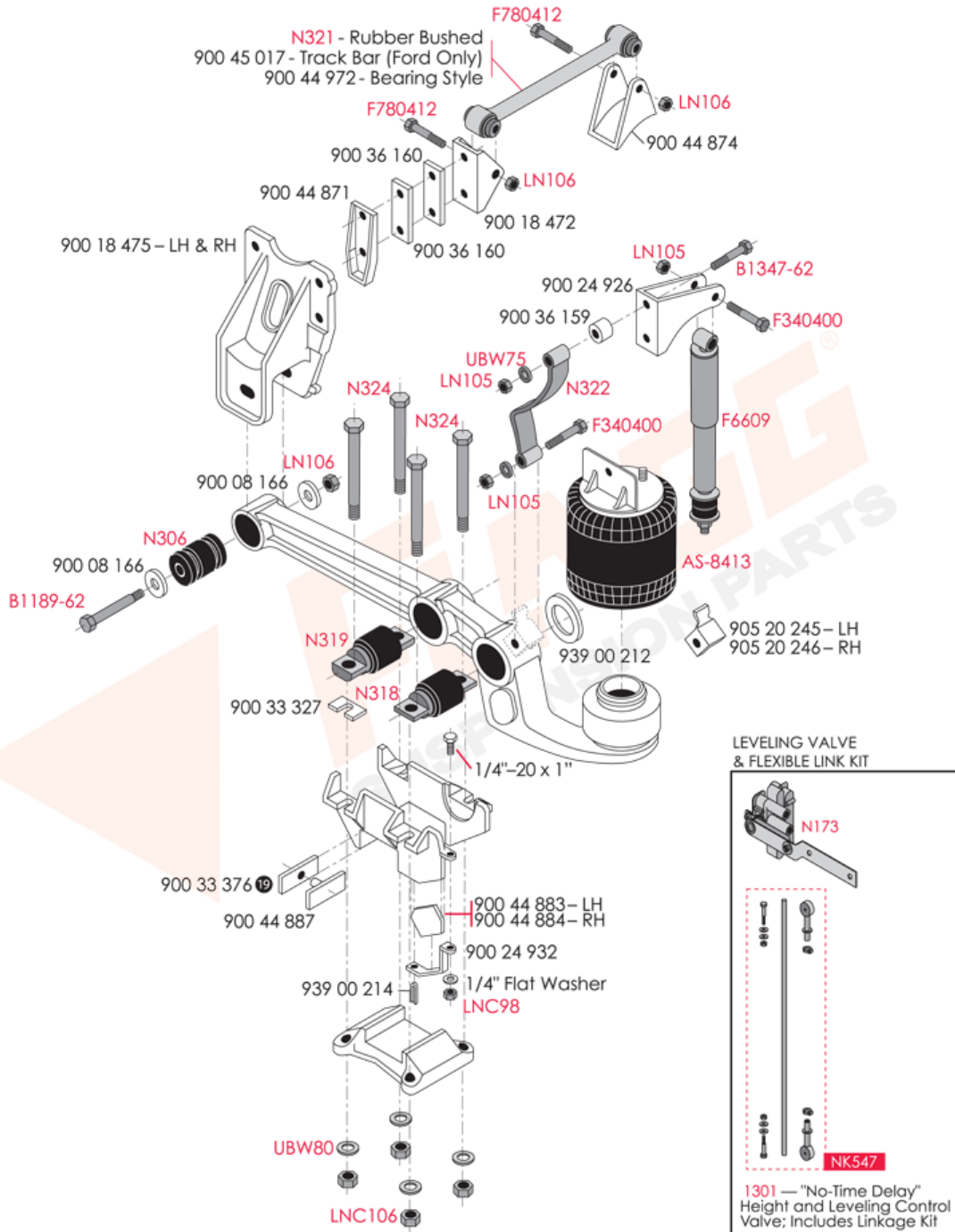
© 2010 Triangle Suspension Systems Inc.

19 Steel Shim is used in Upper Axle Clamp. Casting Numbers #905 01 184, #905 01 185.

SAF Holland Neway, ARDAB-240- 5, Rear, Truck/Tractor Suspension



SAF HOLLAND NEWAY ARDAB-240-5 (REAR) TRUCK/TRACTOR SUSPENSION



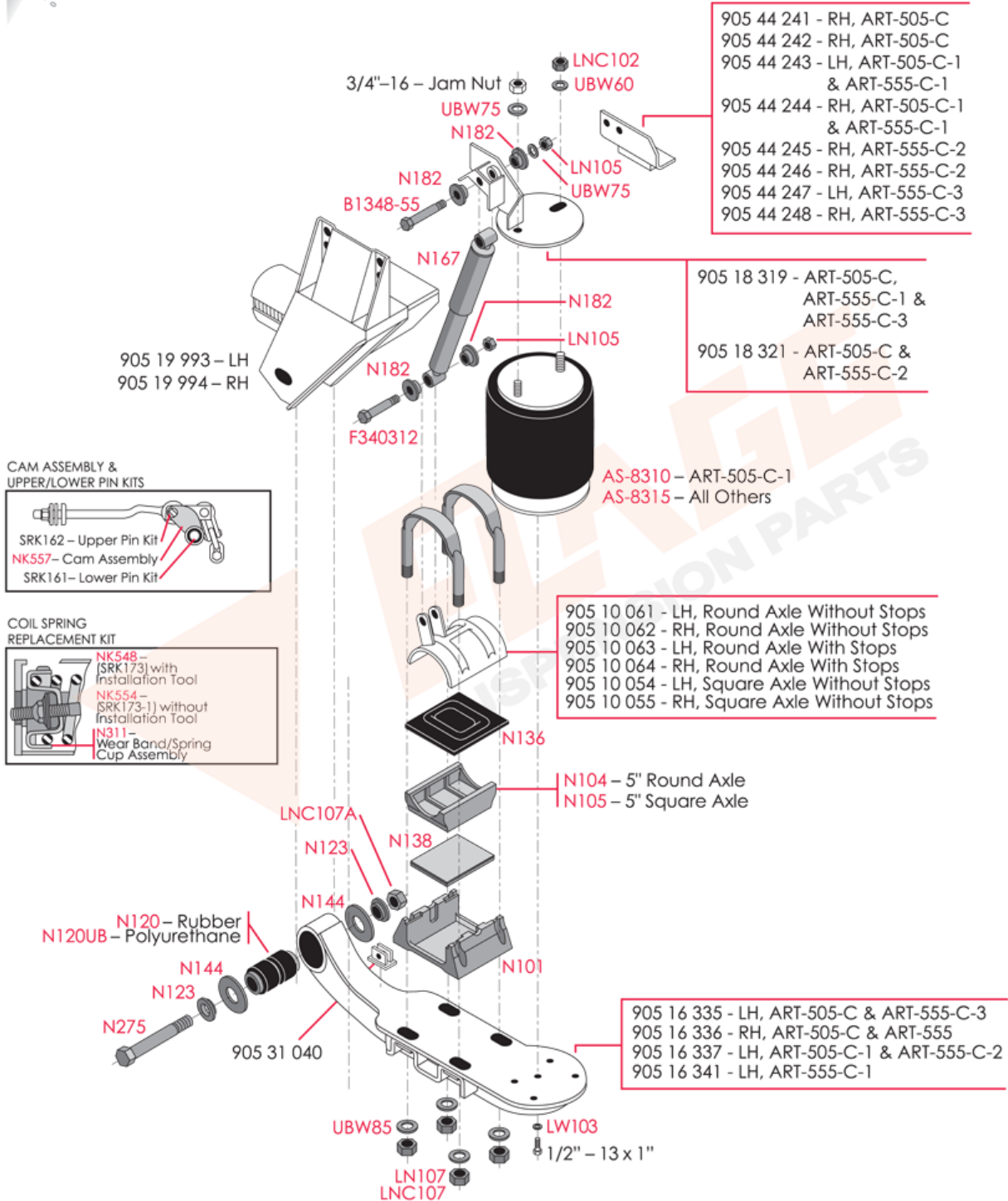
© 2010 Triangle Suspension Systems Inc.

19 Steel Shim is used in Upper Axle Clamp. Casting Numbers #905 01 184, #905 01 185.

SAF Holland Neway, ART-505-C -1, Rear, Truck/Tractor Suspension



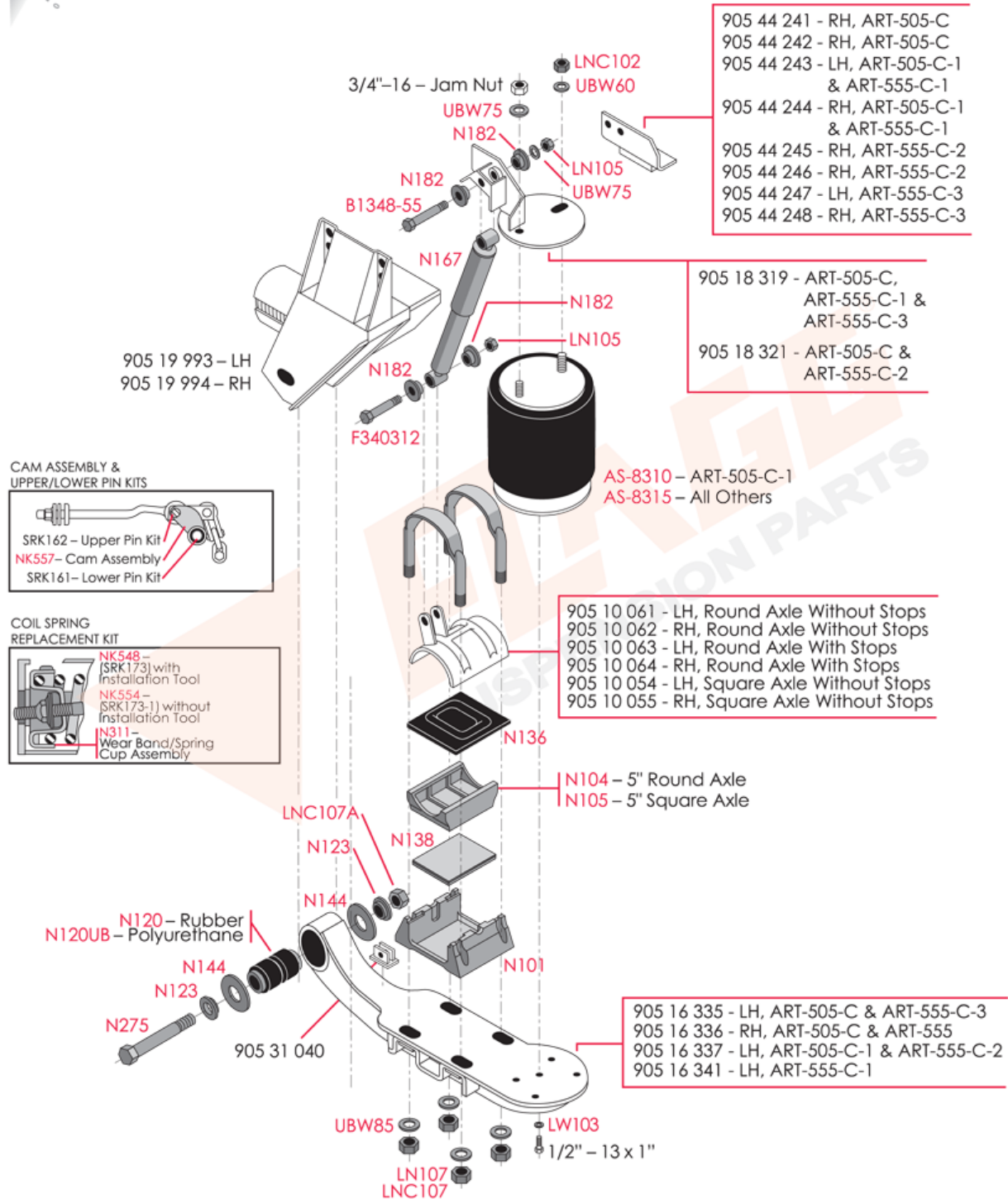
SAF HOLLAND NEWAY ART-505-C-1 (REAR) TRUCK/TRACTOR SUSPENSION



SAF Holland Neway, ART-505-C, Rear, Truck/Tractor Suspension



SAF HOLLAND NEWAY ART-505-C (REAR) TRUCK/TRACTOR SUSPENSION

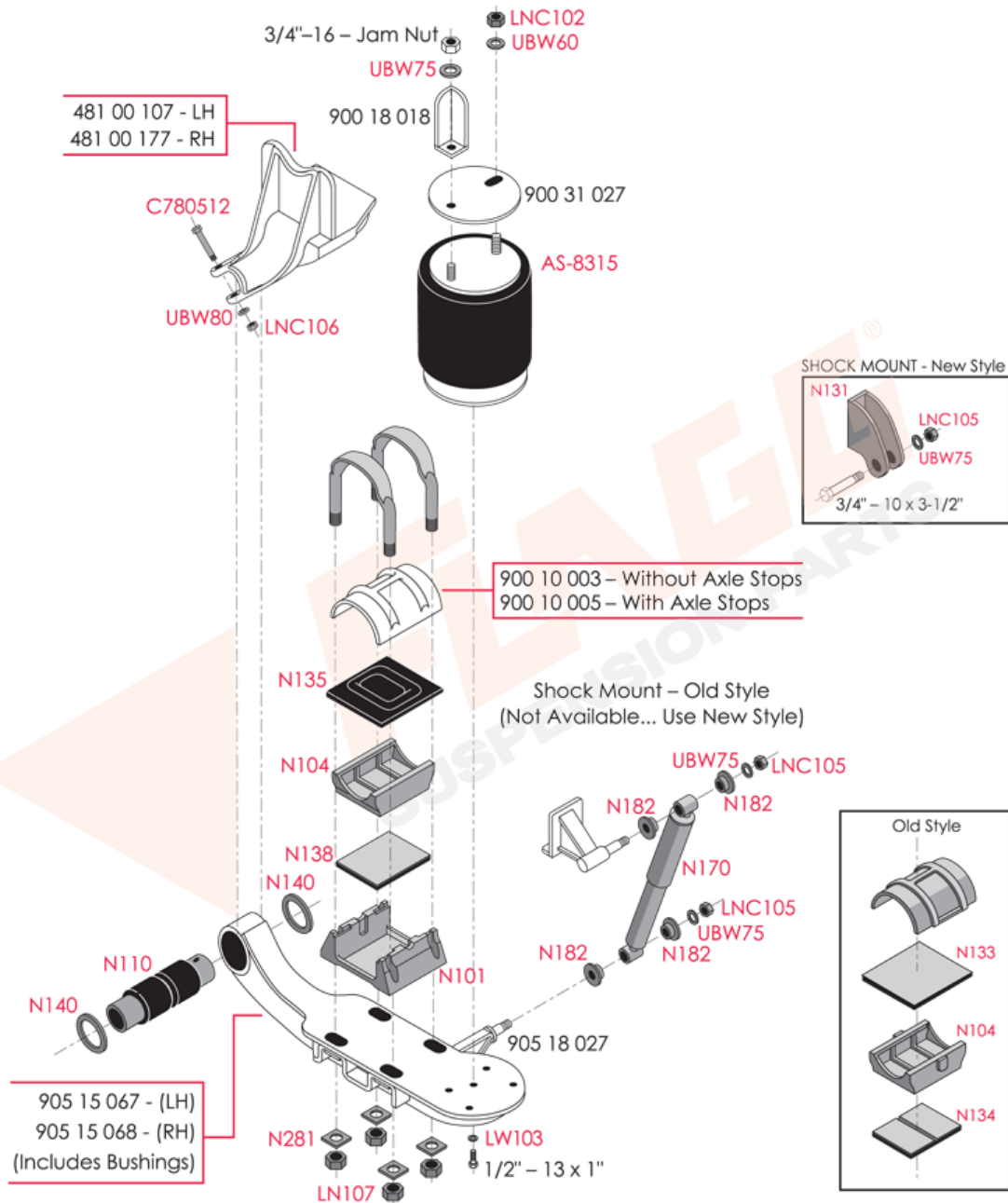


© 2010 Triangle Suspension Systems Inc.

SAF Holland Neway, ART-550-US -1, Rear, Truck/Tractor Suspension



SAF HOLLAND NEWAY ART-550-US-1 (REAR) TRUCK/TRACTOR SUSPENSION



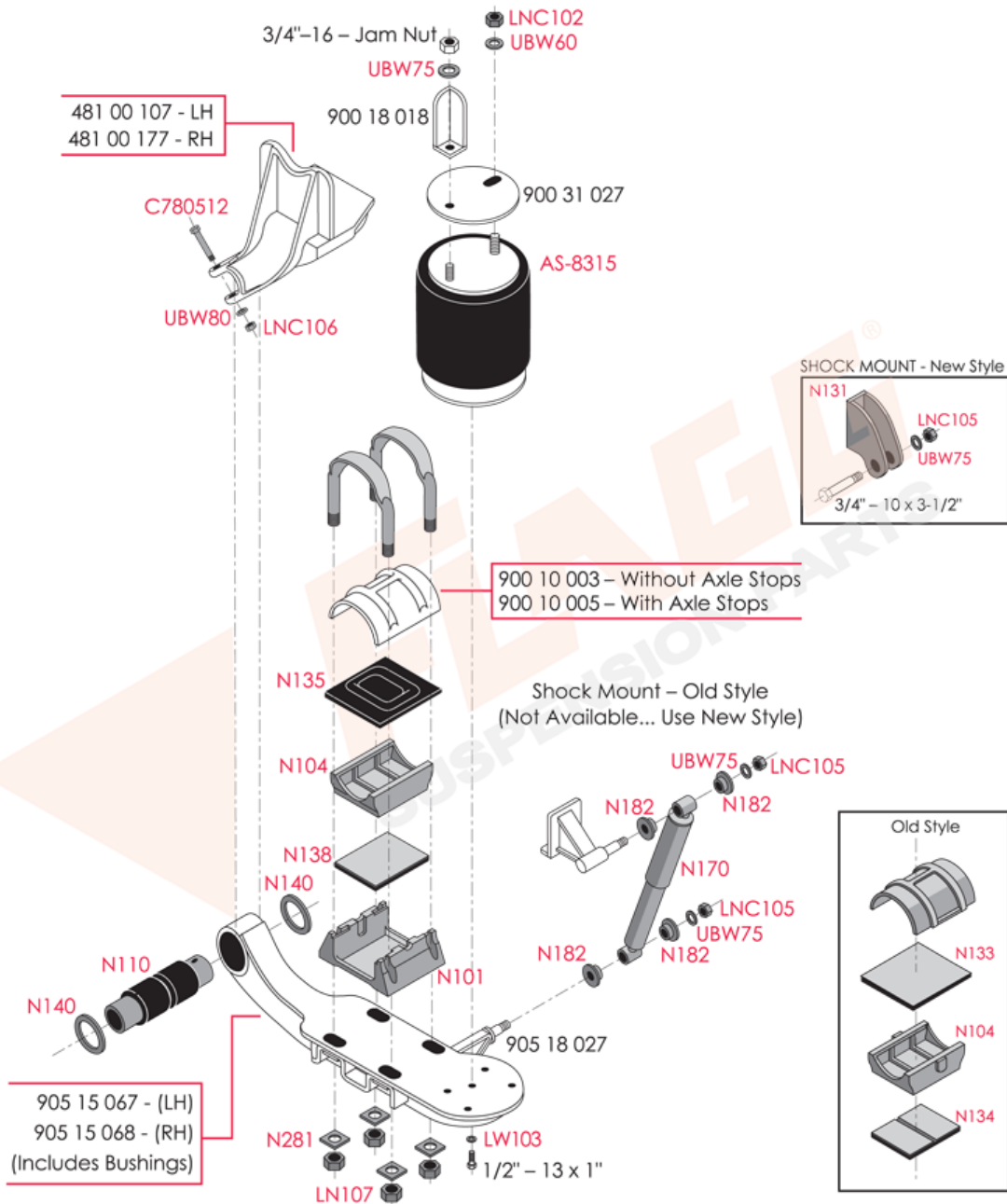
Ⓜ For 15" Wheel Axle Connection Parts with Cam on Horizontal Centerline, refer to 15" Wheel Axle Connection.

© 2010 Triangle Suspension Systems Inc.

SAF Holland Neway, ART-550-US -2, Rear, Truck/Tractor Suspension



SAF HOLLAND NEWAY ART-550-US-2 (REAR) TRUCK/TRACTOR SUSPENSION



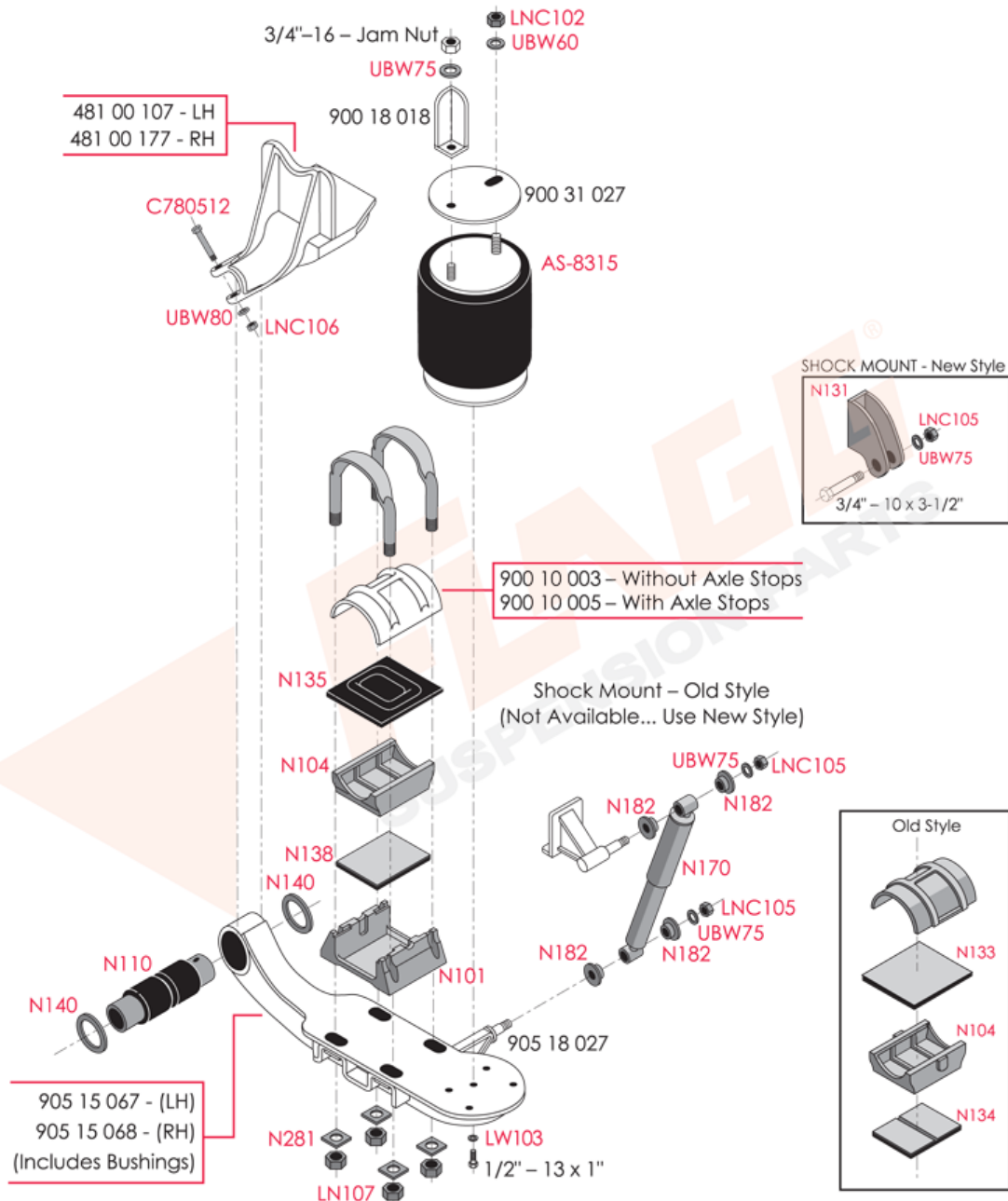
Ⓜ For 15" Wheel Axle Connection Parts with Cam on Horizontal Centerline, refer to 15" Wheel Axle Connection.

© 2010 Triangle Suspension Systems Inc.

SAF Holland Neway, ART-550-US -3, Rear, Truck/Tractor Suspension



SAF HOLLAND NEWAY ART-550-US-3 (REAR) TRUCK/TRACTOR SUSPENSION



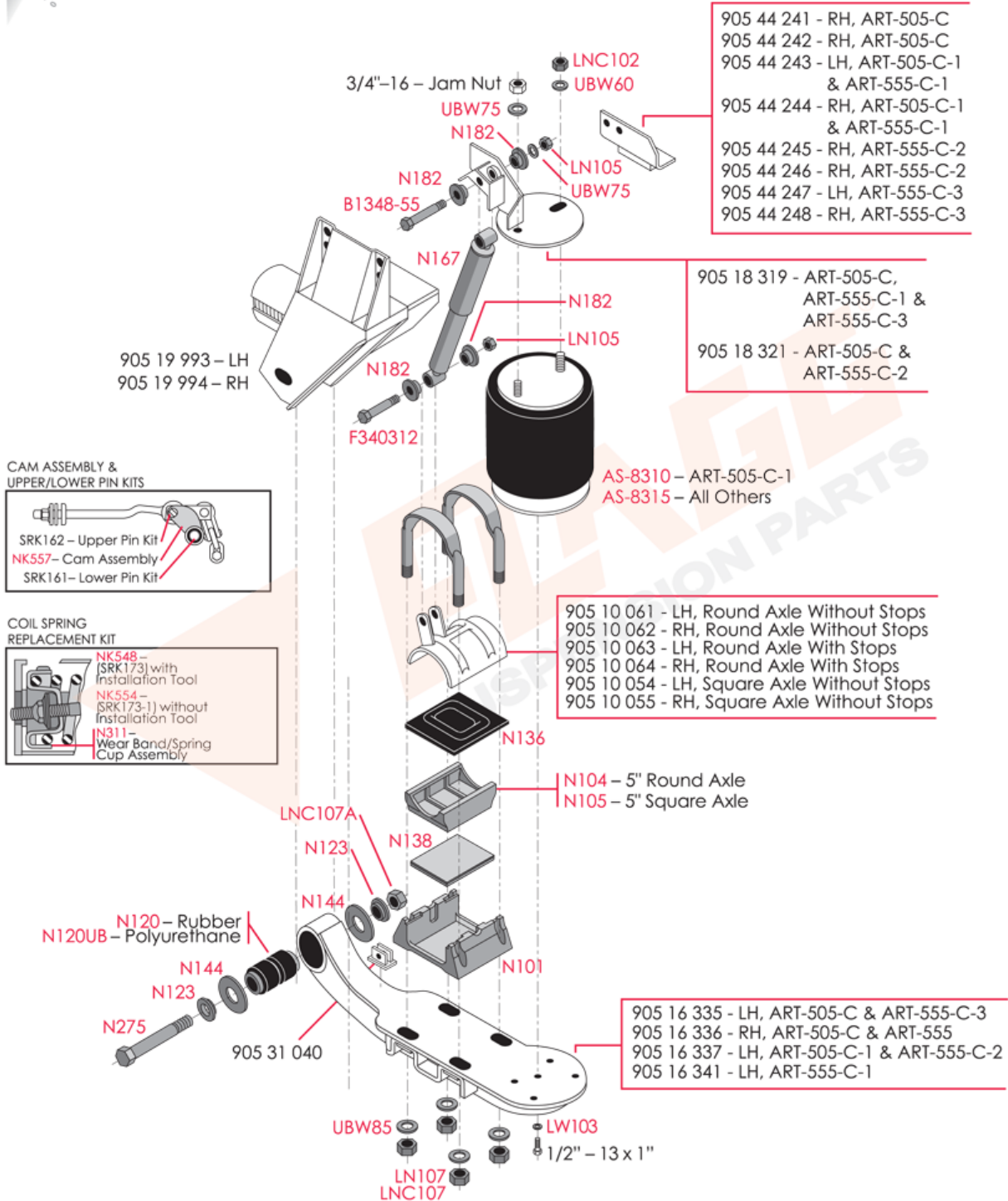
Ⓜ For 15" Wheel Axle Connection Parts with Cam on Horizontal Centerline, refer to 15" Wheel Axle Connection.

© 2010 Triangle Suspension Systems Inc.

SAF Holland Neway, ART-555-C -1, Rear, Truck/Tractor Suspension



SAF HOLLAND NEWAY ART-555-C-1 (REAR) TRUCK/TRACTOR SUSPENSION

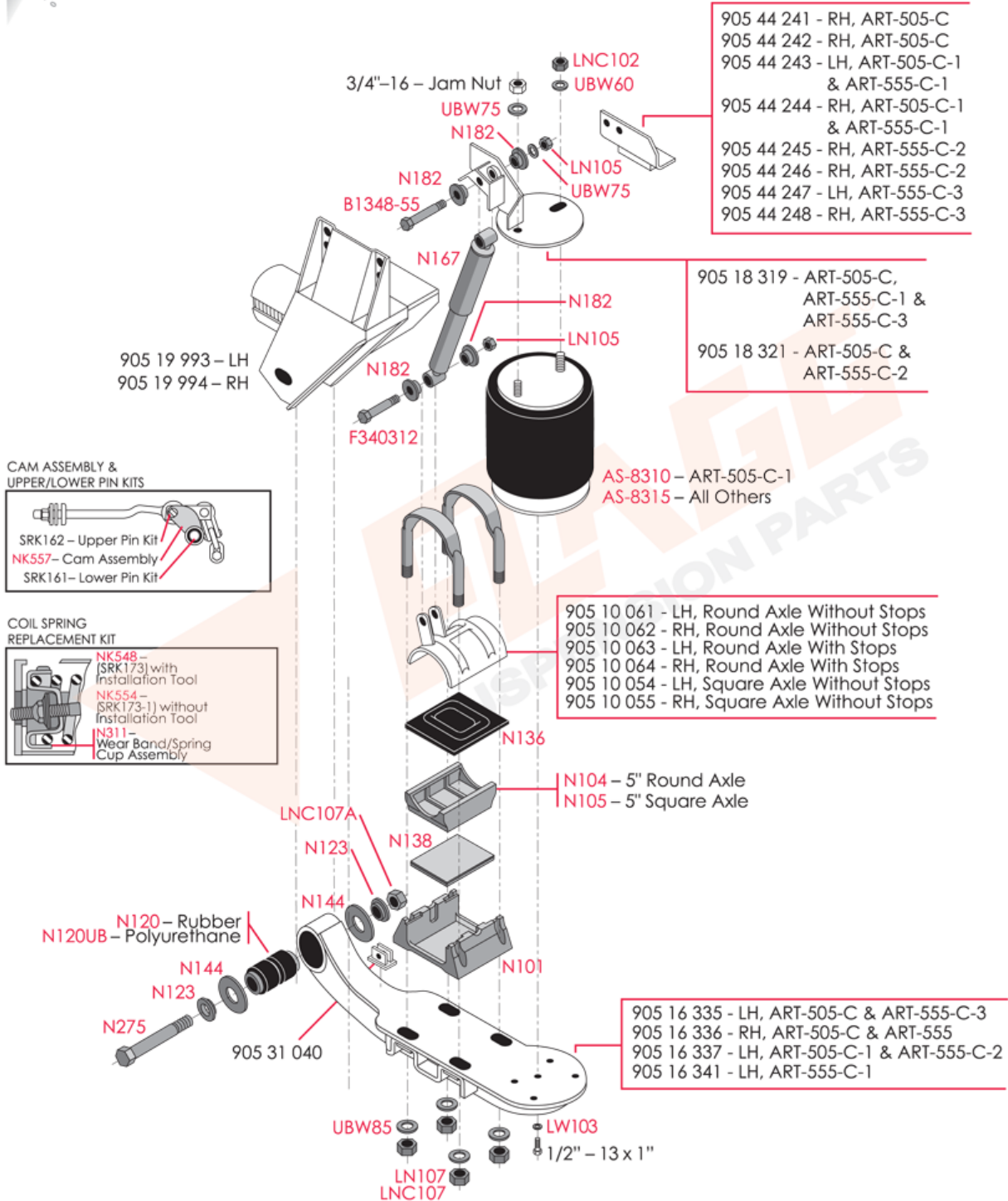


© 2010 Triangle Suspension Systems Inc.

SAF Holland Neway, ART-555-C -2, Rear, Truck/Tractor Suspension



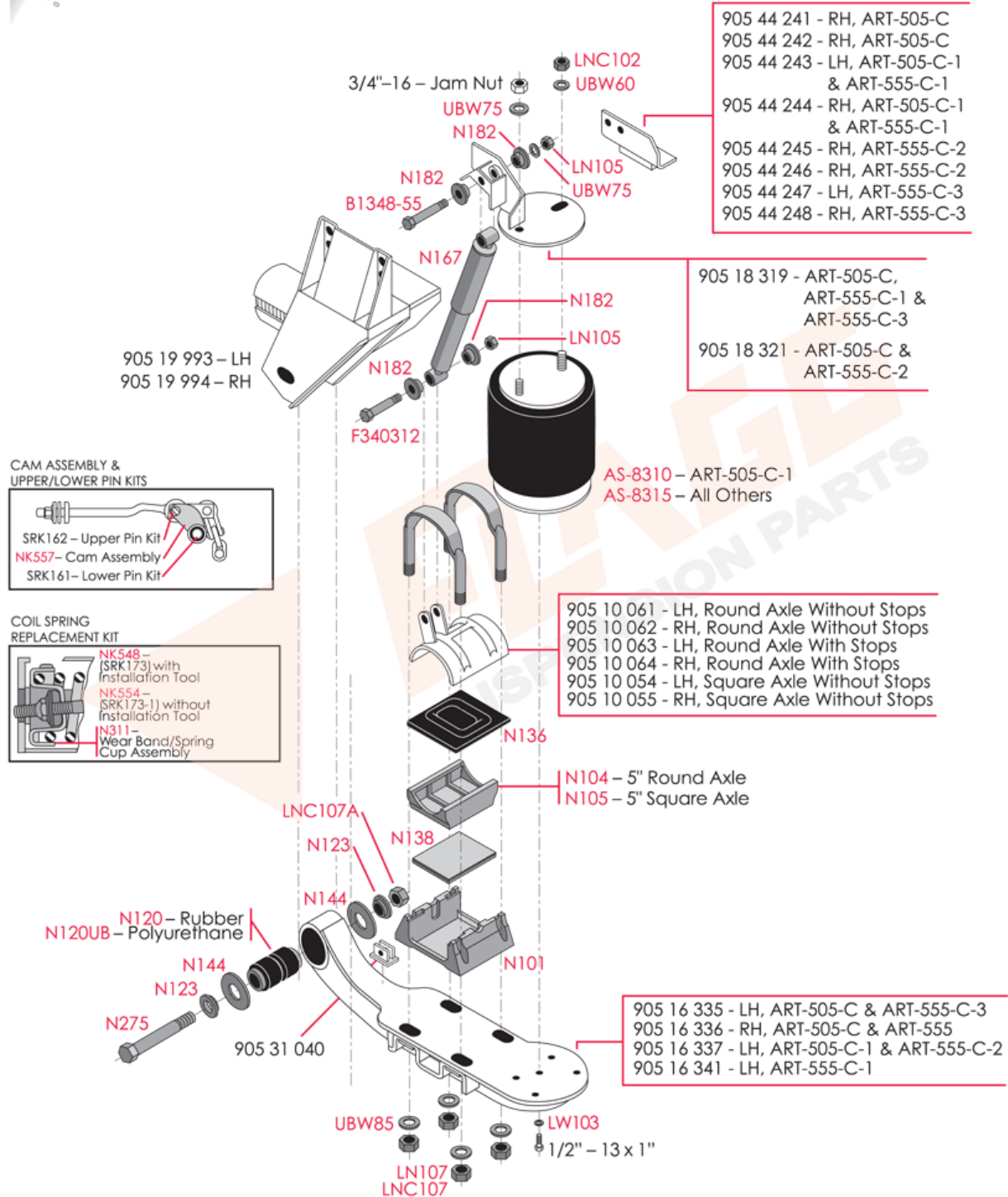
SAF HOLLAND NEWAY ART-555-C-2 (REAR) TRUCK/TRACTOR SUSPENSION



SAF Holland Neway, ART-555-C -3, Rear, Truck/Tractor Suspension



SAF HOLLAND NEWAY ART-555-C-3 (REAR) TRUCK/TRACTOR SUSPENSION



© 2010 Triangle Suspension Systems Inc.

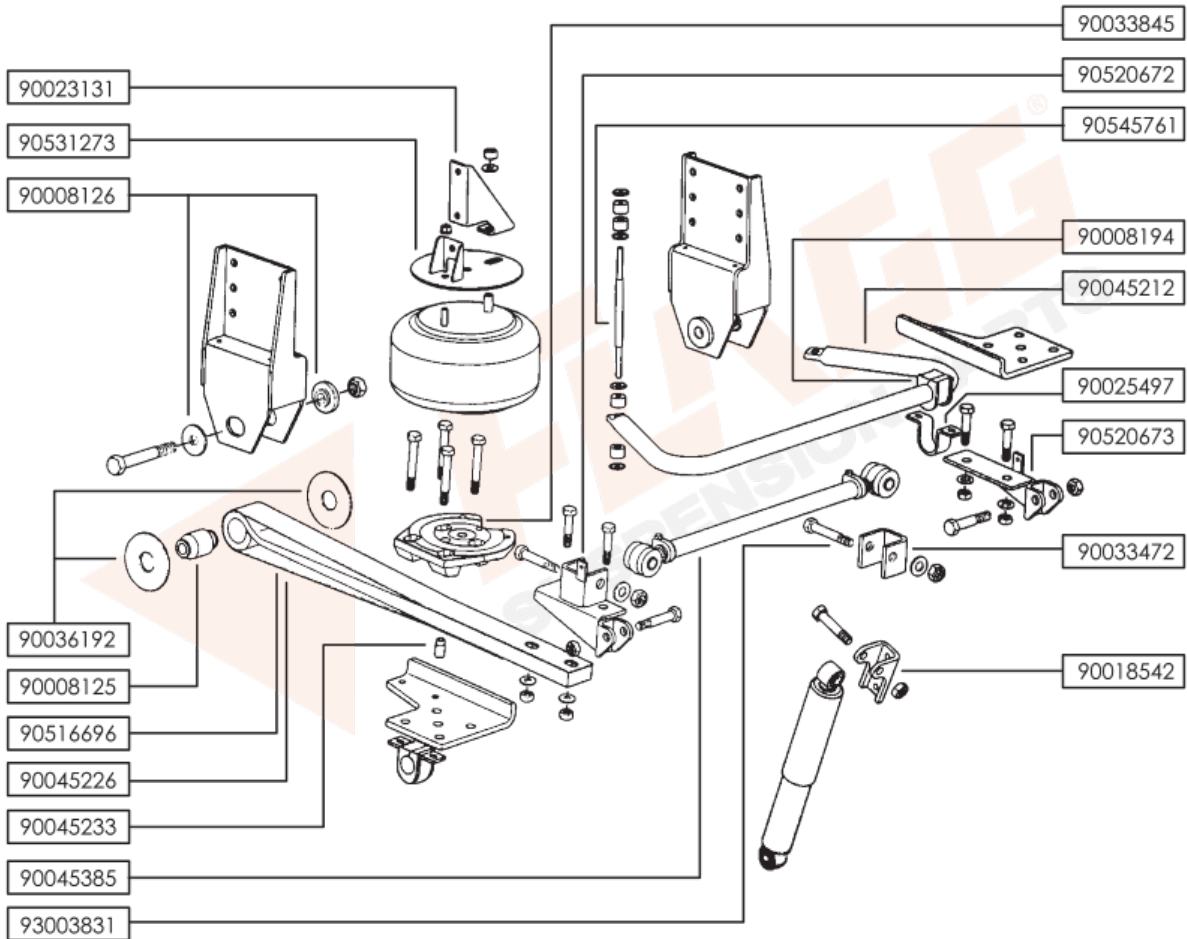
SAF Holland Neway, AS Series, Front, Truck/Tractor Suspension



SAF HOLLAND NEWAY AS SERIES TRUCK/TRACTOR SUSPENSION

***BOLD RED NUMBERS REFLECT TRIANGLE PART NUMBERS**

**ITALICIZED BLACK NUMBERS REFLECT OEM NUMBERS (USE FOR REFERENCE ONLY)*



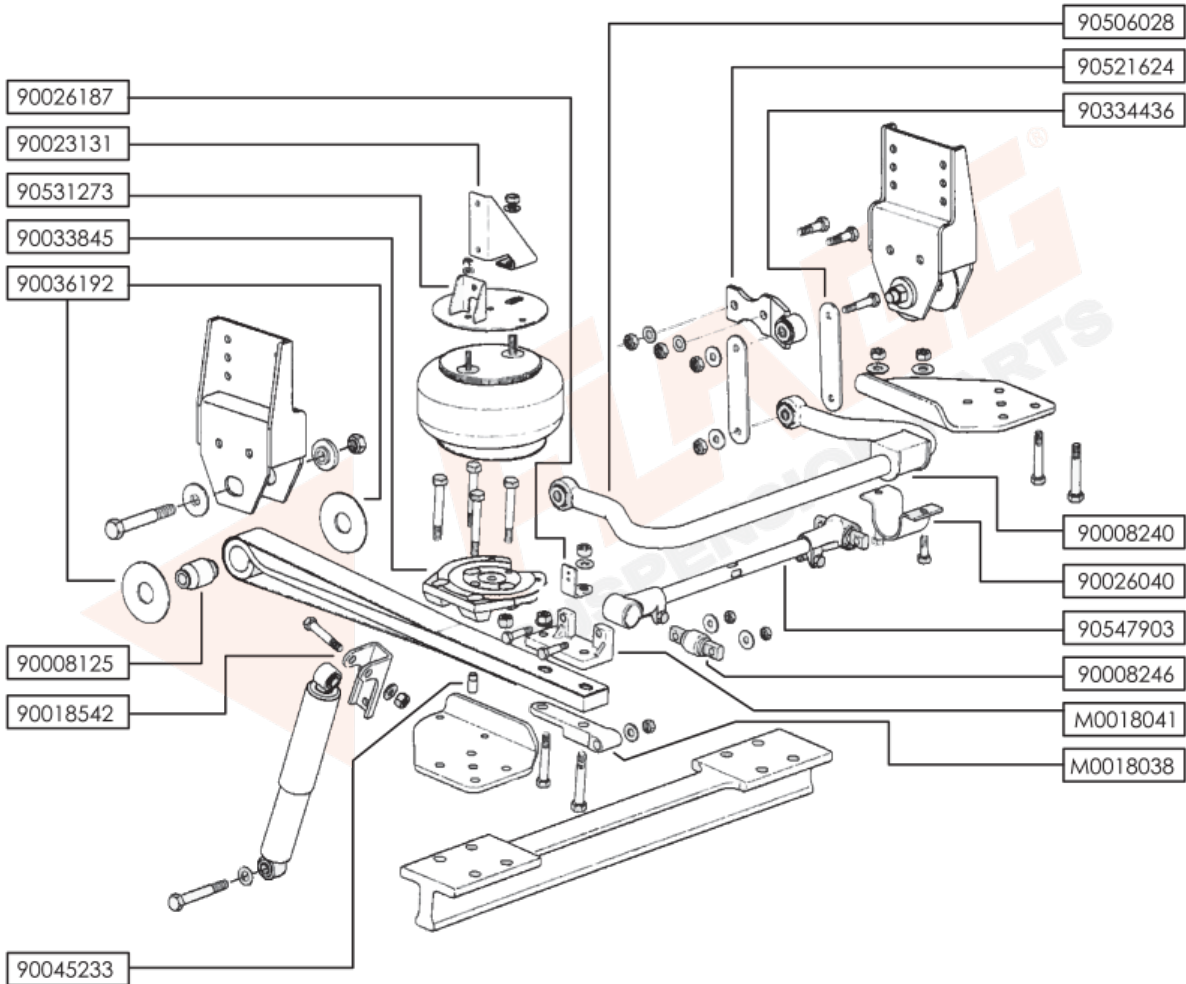
SAF Holland Neway, ASB Series, Front, Truck/Tractor Suspension



SAF HOLLAND NEWAY ASB SERIES TRUCK/TRACTOR SUSPENSION

***BOLD RED NUMBERS REFLECT TRIANGLE PART NUMBERS**

**ITALICIZED BLACK NUMBERS REFLECT OEM NUMBERS (USE FOR REFERENCE ONLY)*

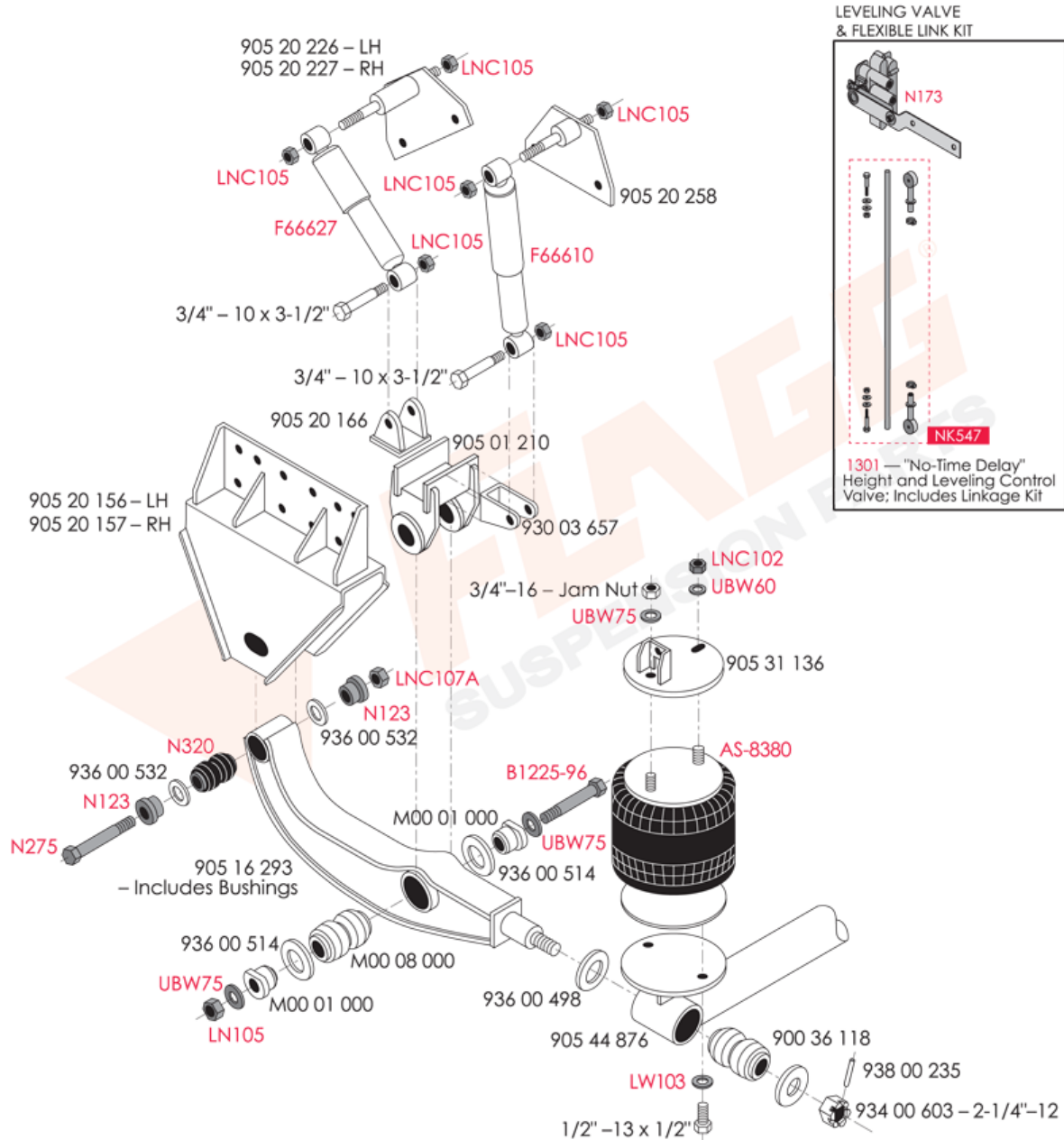


© 2017 Triangle Suspension Systems Inc.

SAF Holland Neway, Model ARDTB-125-6, Rear, Truck/Tractor Suspension



SAF HOLLAND NEWAY ARDTB-125-6 (REAR) TRUCK/TRACTOR SUSPENSION

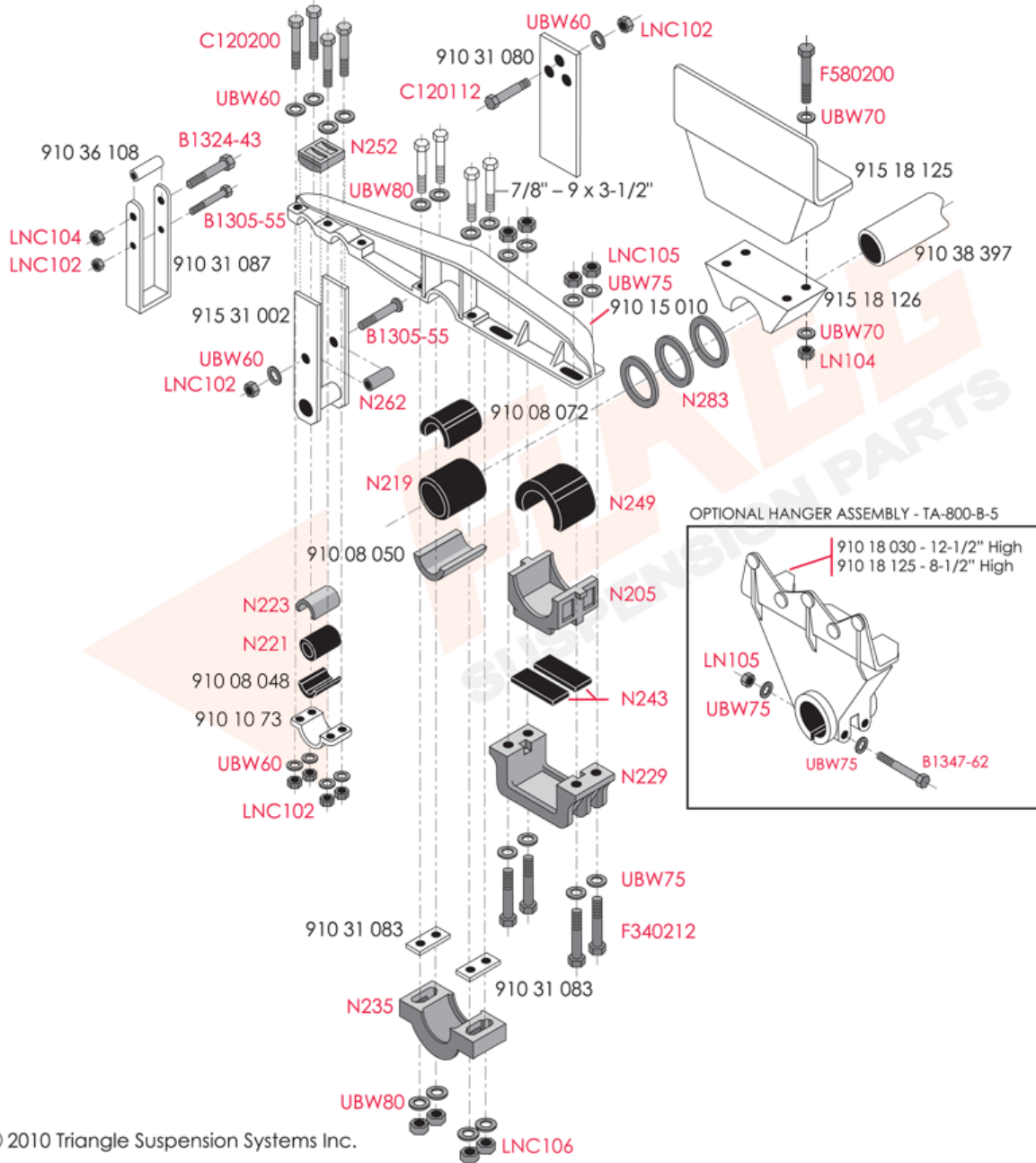


SAF Holland Neway, TA-800-B-5, Rear, Truck/Tractor Suspension



SAF HOLLAND NEWAY TA-800-B-5 (REAR) TRUCK/TRACTOR SUSPENSION

NOTE: Models TA-800-B-5 and TA-800-C-5
use Air Lift Model TC-120-D Only.



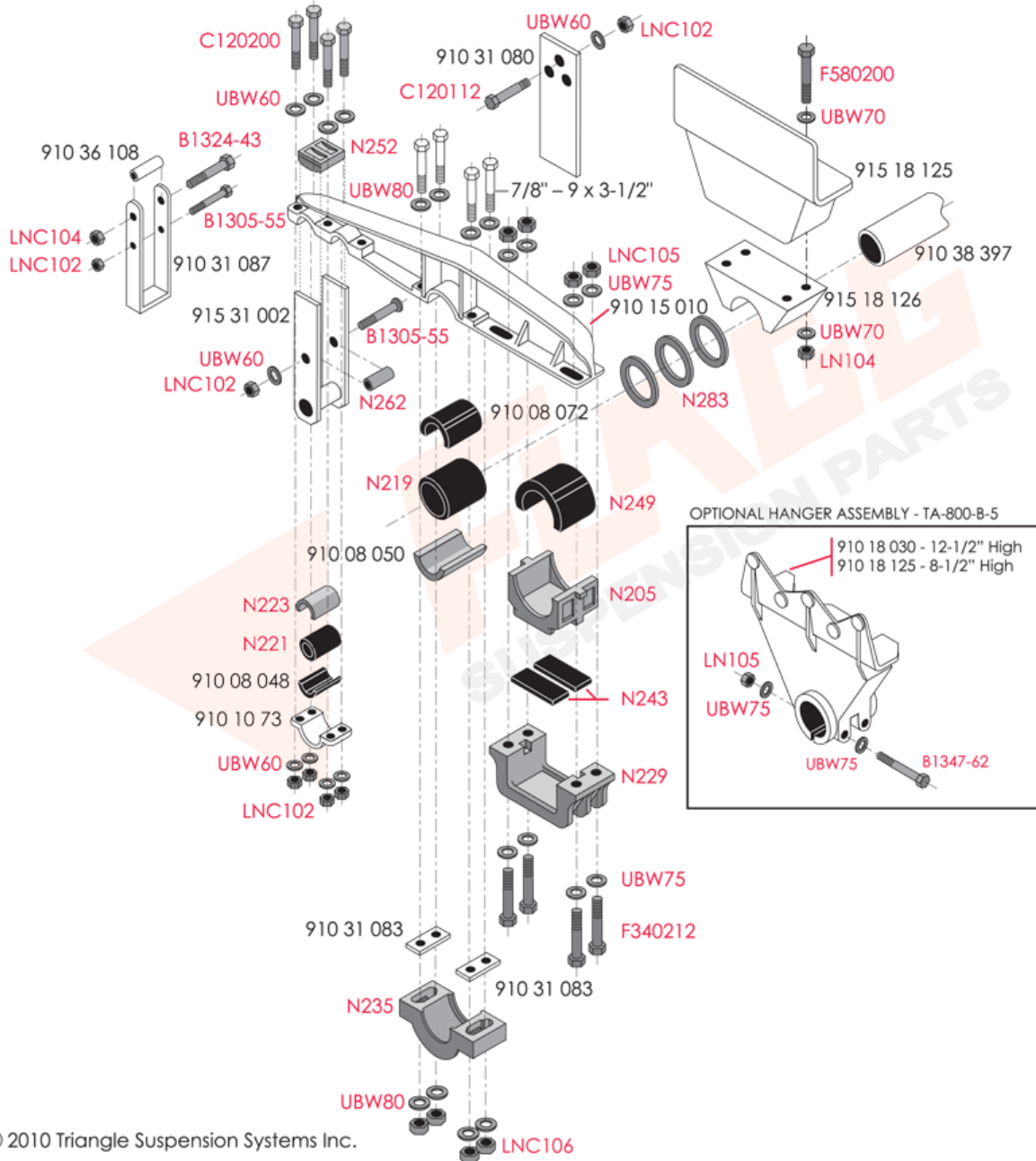
© 2010 Triangle Suspension Systems Inc.

SAF Holland Neway, TA-800-C-5, Rear, Truck/Tractor Suspension



SAF HOLLAND NEWAY TA-800-C-5 (REAR) TRUCK/TRACTOR SUSPENSION

NOTE: Models TA-800-B-5 and TA-800-C-5 use Air Lift Model TC-120-D Only.



© 2010 Triangle Suspension Systems Inc.

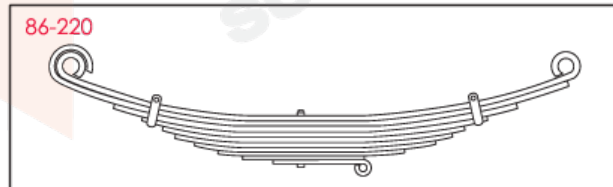
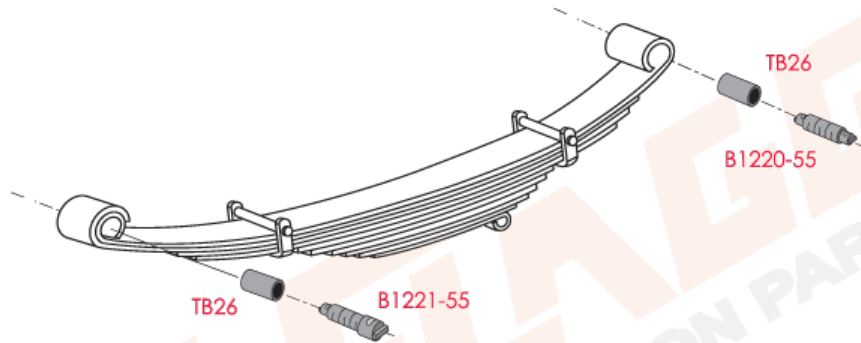
Spartan, Chassis, Front, Truck/Tractor Suspension



SPARTAN CHASSIS, FRONT TRUCK/TRACTOR SUSPENSION

***BOLD RED NUMBERS REFLECT TRIANGLE PART NUMBERS**

***ITALICIZED BLACK NUMBERS REFLECT OEM NUMBERS (USE FOR REFERENCE ONLY)**



Common Replacement Springs

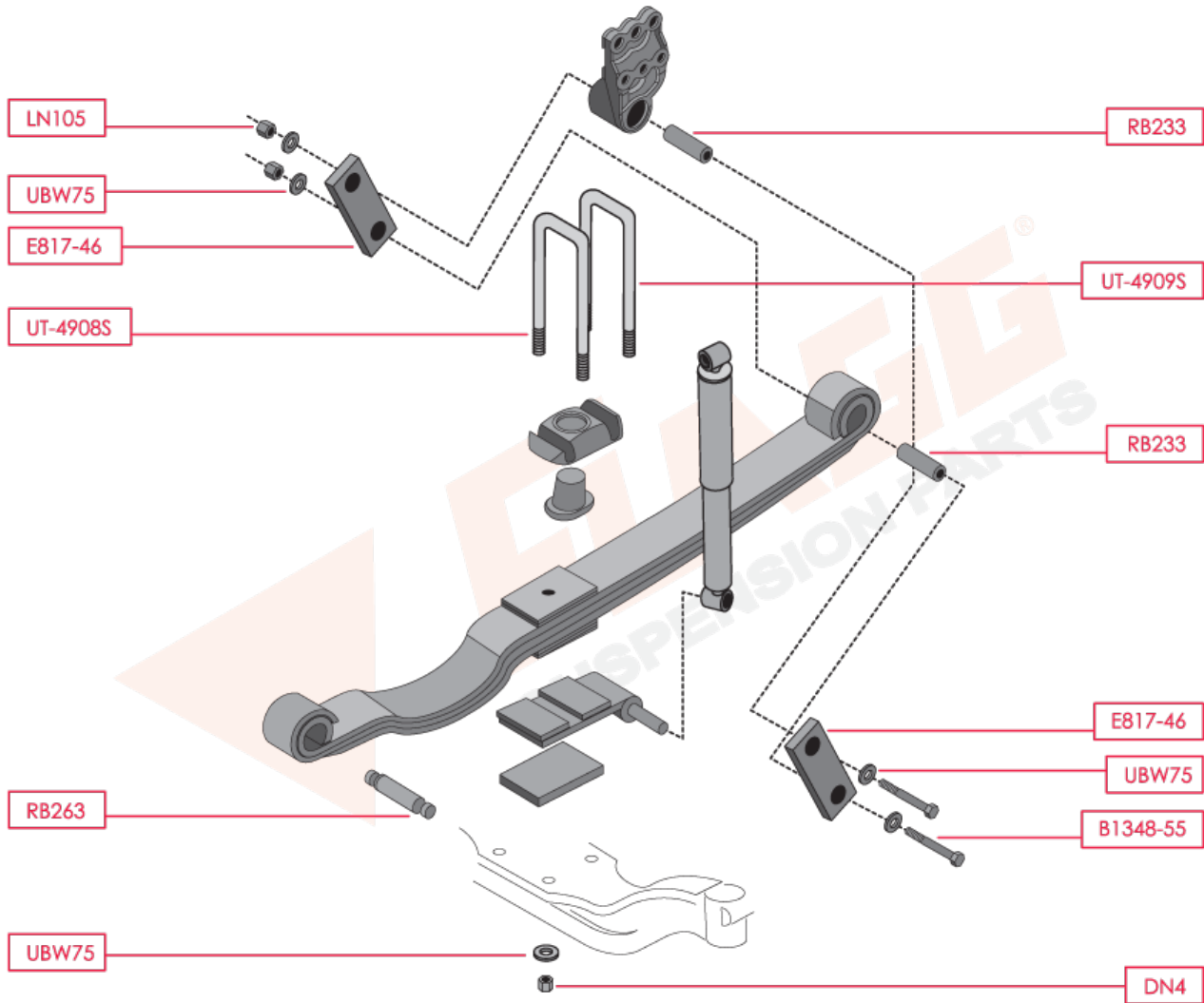
Description	Part #
10 leaf	86-220

© 2016 Triangle Suspension Systems Inc.

Sterling, Car Carrier Special, Front, Truck/Tractor Suspension



STERLING CAR CARRIER SPECIAL ONLY, FRONT
 MODELS: ACTERRA, A, L, S SERIES (CONV.), CONDOR LCF
 TRUCK/TRACTOR SUSPENSION



Special Car Carrier Shape

Description	Part #
2 leaf, RB263 front, RB233 Rear	46-1804OE

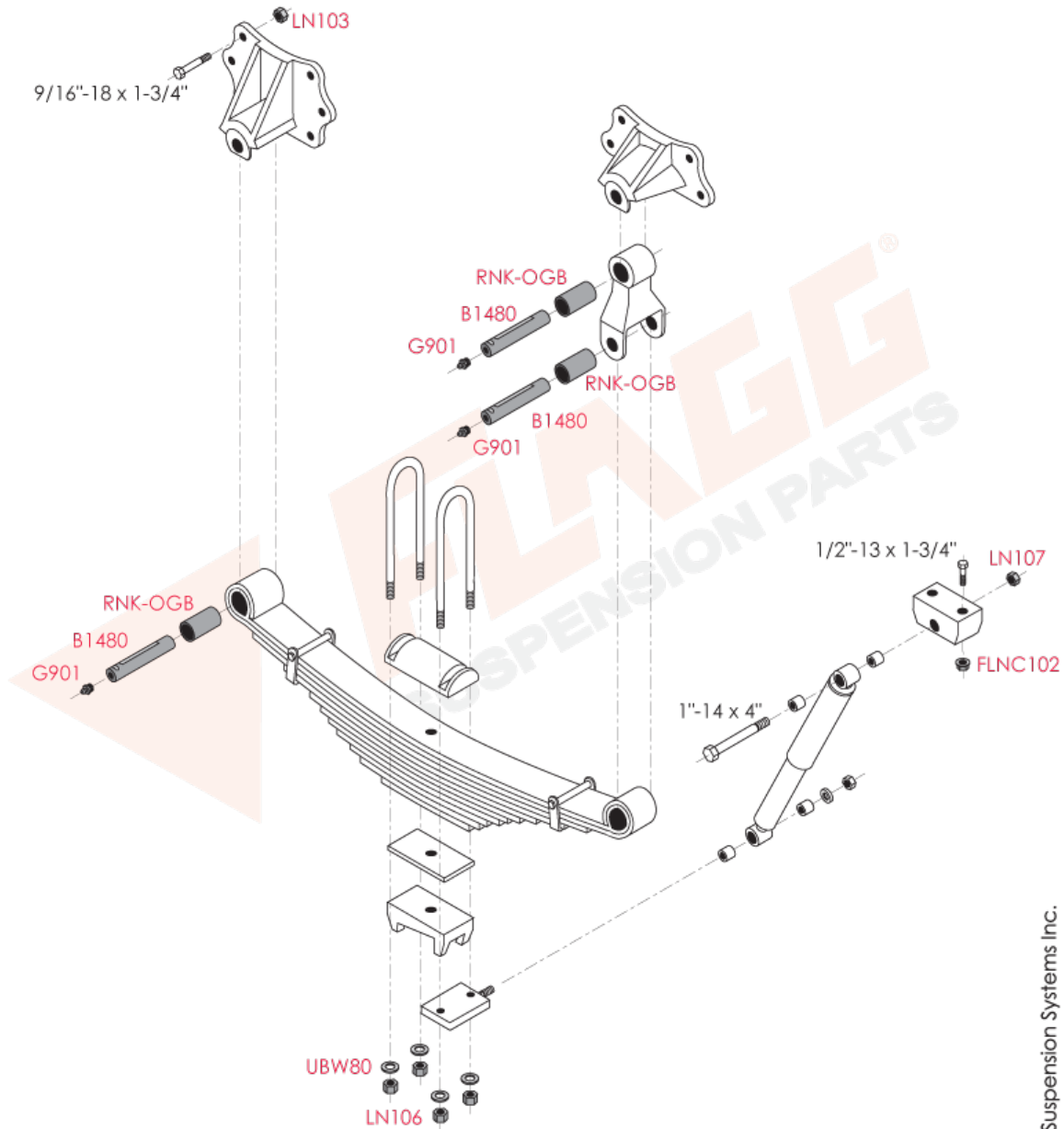
Note: Spring part numbers shown above are only the most common. This is not intended to be an all-encompassing list. Careful verification of all dimensions, capacity and specific application installation factors will determine the final selection of the replacement spring.

© 2016 Triangle Suspension Systems Inc.

Thomas, ER Series, First Design, Rear, Truck/Tractor Suspension



THOMAS ER SERIES, FIRST DESIGN - (REAR) TRUCK/TRACTOR SUSPENSION



Common Replacement Springs

Description	Part #
9/lvs, 4/lvs, RNK bushings both ends	88-105

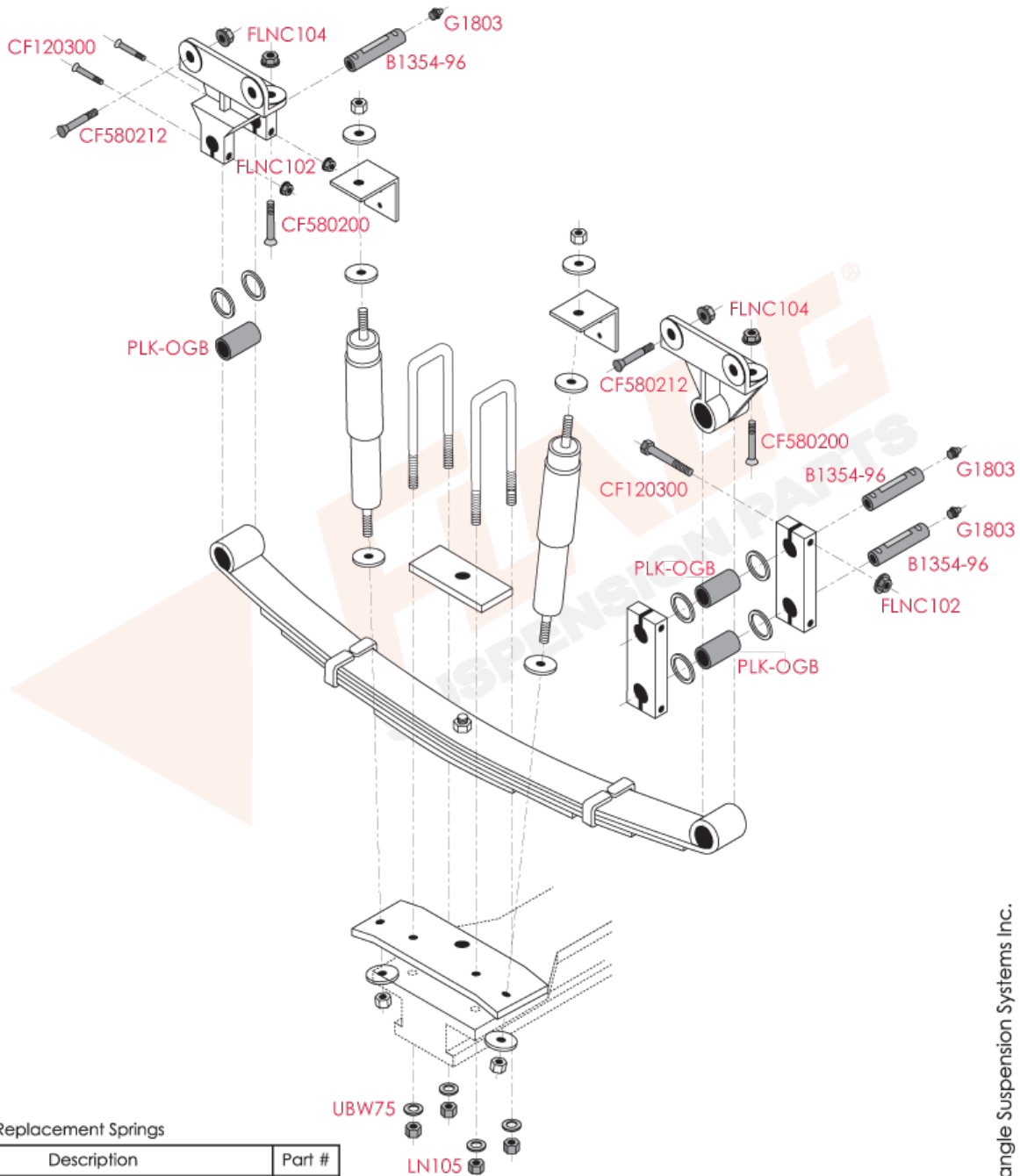
Note: Spring part numbers shown are only the most common. This is not intended to be an all encompassing list. Careful verification of all dimensions, capacity and specific application installation factors will determine the final selection for the replacement spring.

© 2014 Triangle Suspension Systems Inc.

Thomas, ER Series, Second Design, Front, Truck/Tractor Suspension



THOMAS ER - SERIES, SECOND, DESIGN - (FRONT) TRUCK/TRACTOR SUSPENSION



Common Replacement Springs

Description	Part #
pad/3lvs, PLK bushings both ends	88-116
pad/2lvs, RB190 bushings both ends	88-122
3/lvs, 3/lvs .788", RB190 bushings both ends	88-124

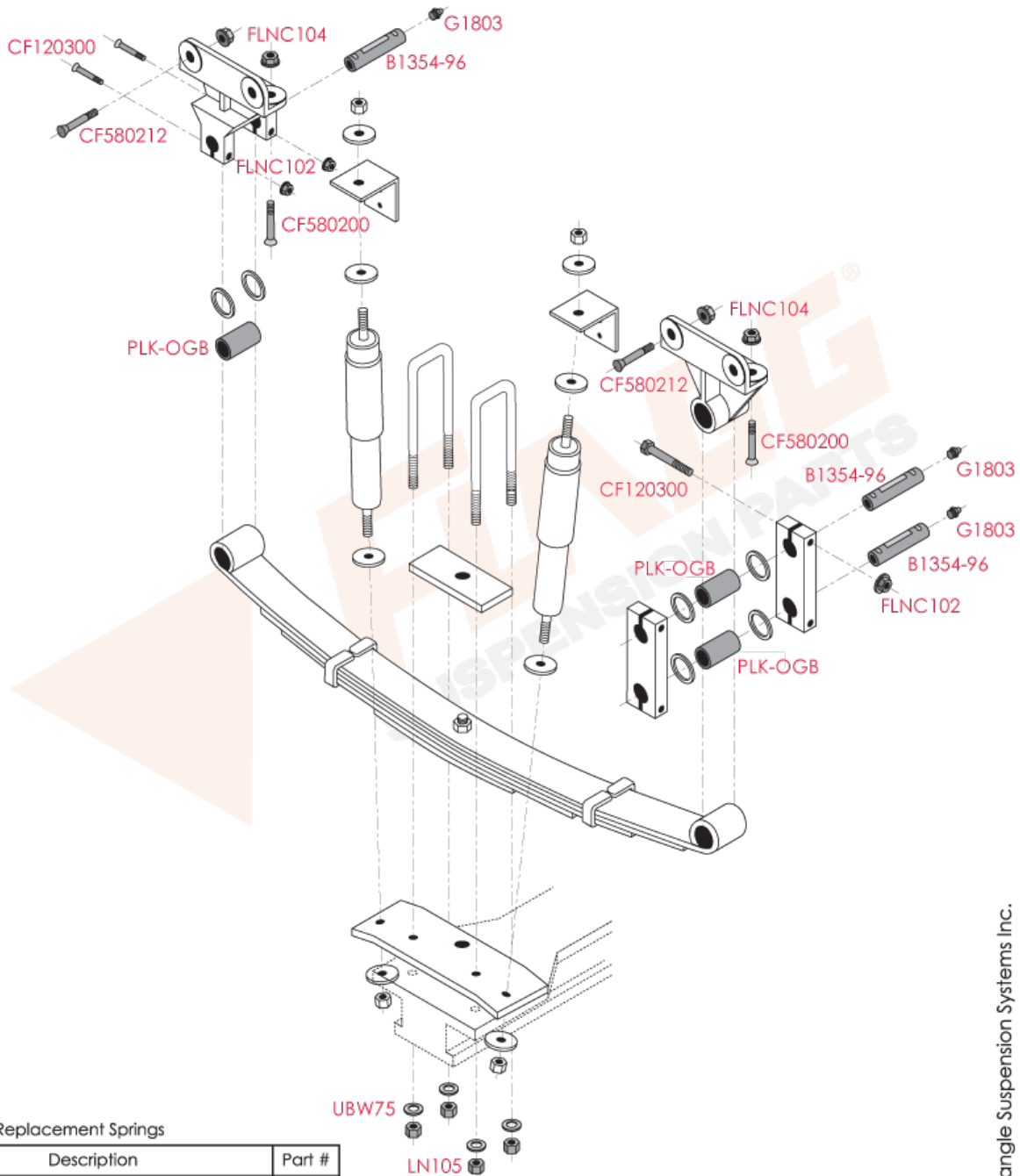
Note: Spring part numbers shown are only the most common. This is not intended to be an all encompassing list. Careful verification of all dimensions, capacity and specific application installation factors will determine the final selection for the replacement spring.

© 2014 Triangle Suspension Systems Inc.

Thomas, ER Series, Second Design, Front, Truck/Tractor Suspension



THOMAS ER - SERIES, SECOND, DESIGN - (FRONT) TRUCK/TRACTOR SUSPENSION



Common Replacement Springs

Description	Part #
pad/3lvs, PLK bushings both ends	88-116
pad/2lvs, RB190 bushings both ends	88-122
3/lvs, 3/lvs .788", RB190 bushings both ends	88-124

Note: Spring part numbers shown are only the most common. This is not intended to be an all encompassing list. Careful verification of all dimensions, capacity and specific application installation factors will determine the final selection for the replacement spring.

© 2014 Triangle Suspension Systems Inc.

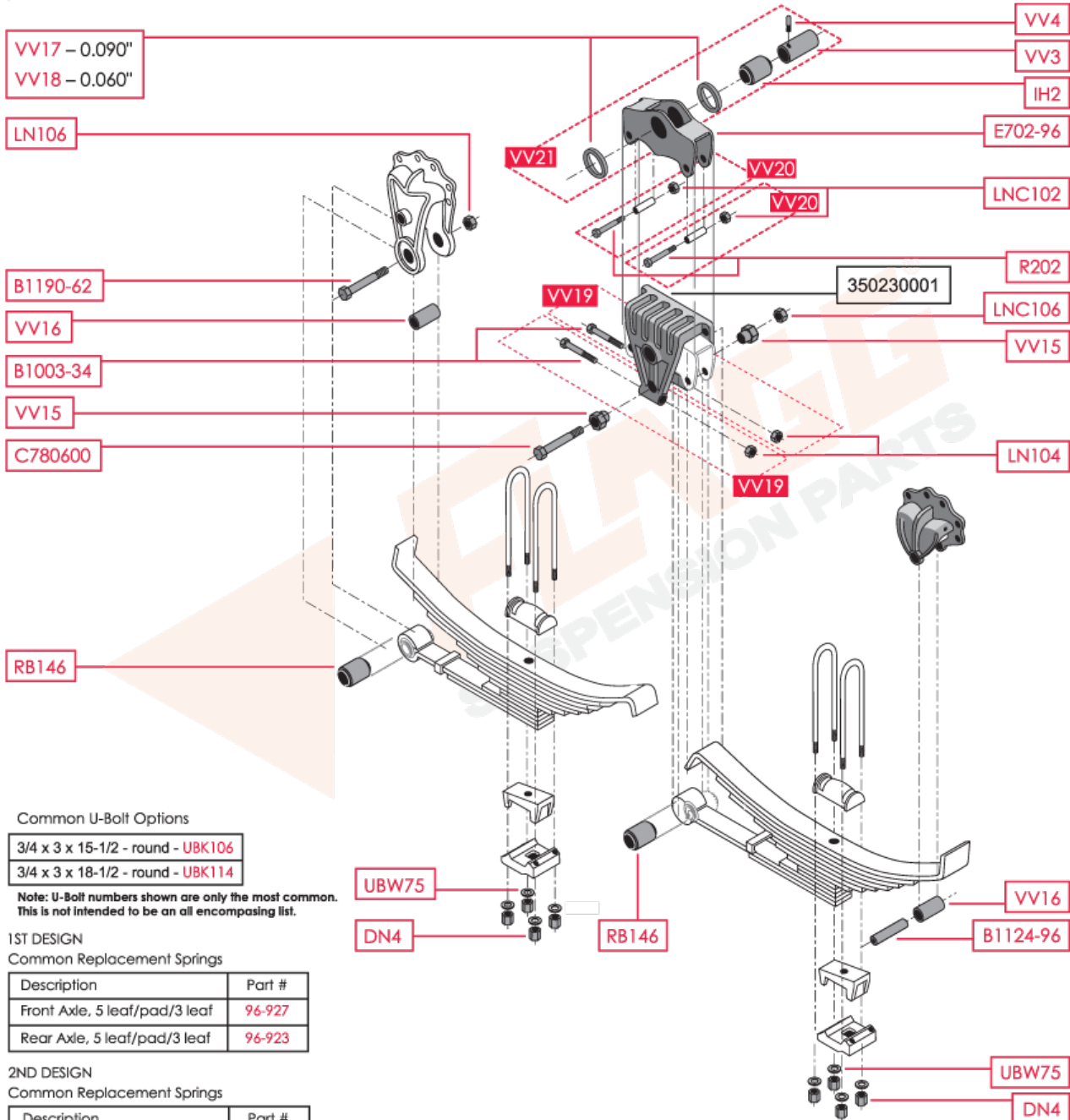
Volvo, 4 Spring Corporate Suspension, Old Style, Rear, Truck/Tractor Suspension



WHITE GMC VOLVO 4-SPRING - REAR - OLD STYLE TRUCK/TRACTOR SUSPENSION

***BOLD RED NUMBERS REFLECT TRIANGLE PART NUMBERS**

**ITALICIZED BLACK NUMBERS REFLECT OEM NUMBERS (USE FOR REFERENCE ONLY)*



Common U-Bolt Options

3/4 x 3 x 15-1/2 - round - **UBK106**

3/4 x 3 x 18-1/2 - round - **UBK114**

Note: U-Bolt numbers shown are only the most common. This is not intended to be an all encompassing list.

1ST DESIGN

Common Replacement Springs

Description	Part #
Front Axle, 5 leaf/pad/3 leaf	96-927
Rear Axle, 5 leaf/pad/3 leaf	96-923

2ND DESIGN

Common Replacement Springs

Description	Part #
Front axle, 5 leaf/pad/3 leaf	96-917
Rear axle, 5 leaf/pad/3 leaf	96-931

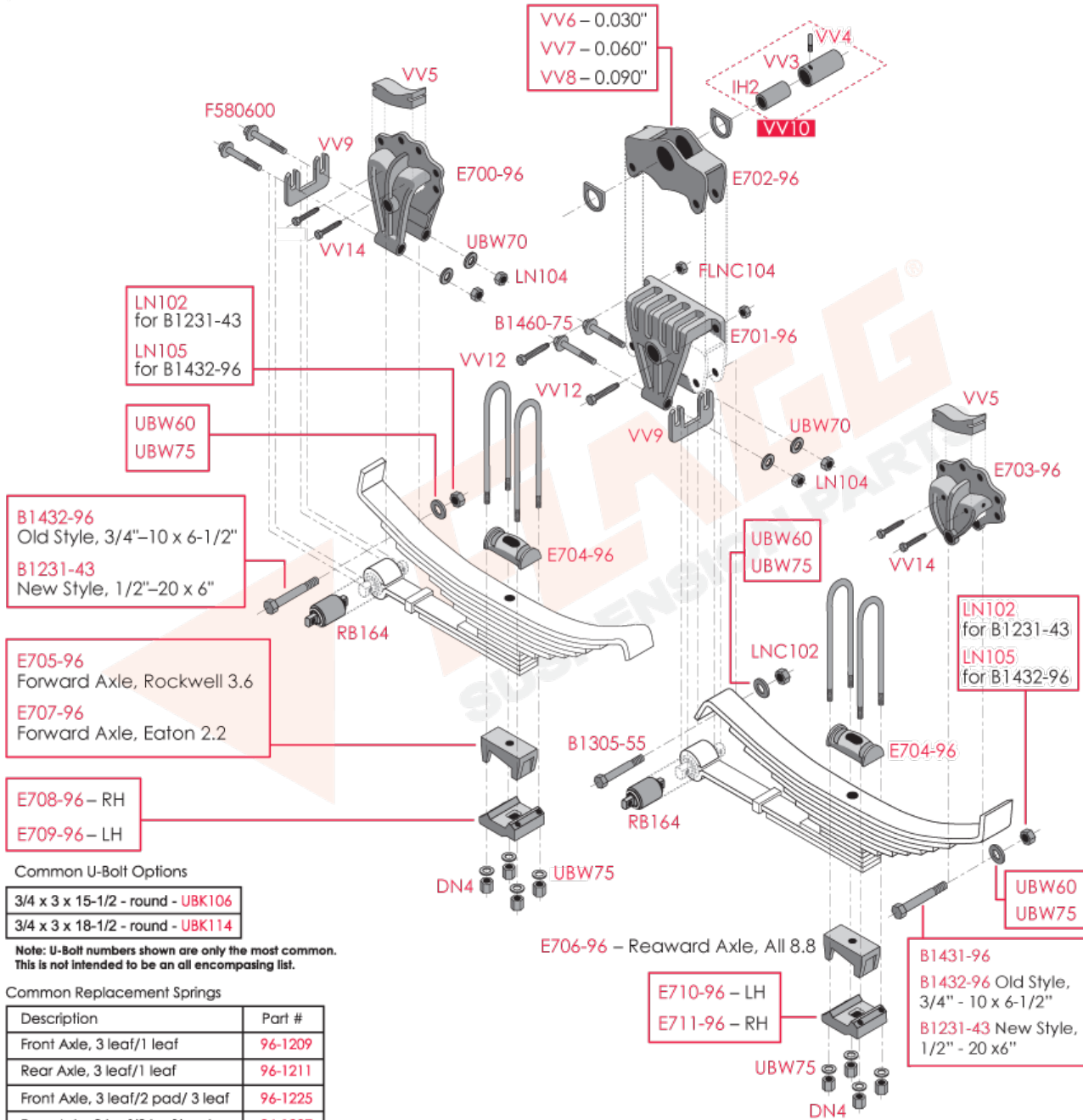
© 2013 Triangle Suspension Systems Inc.

Note: Spring part numbers shown above are only the most common. This is not intended to be an all-encompassing list. Careful verification of all dimensions, capacity and specific application installation factors will determine the final selection of the replacement spring.

Volvo, 4-Spring New Style, Rear, Truck/Tractor Suspension



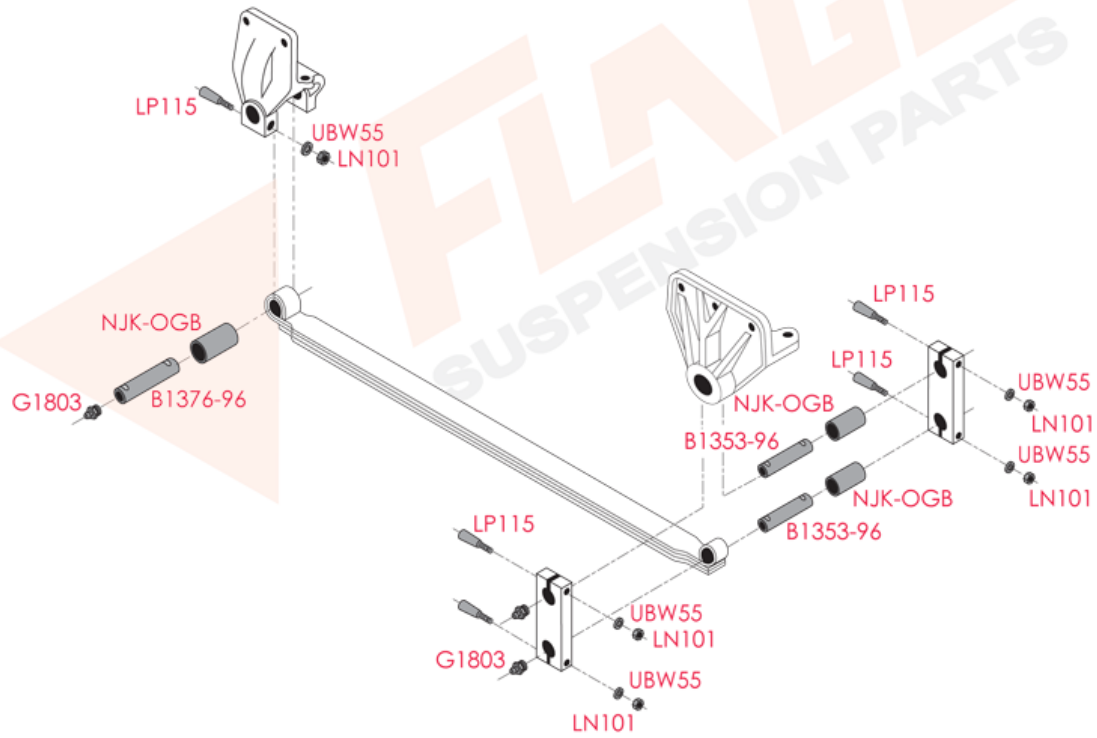
WHITE GMC VOLVO 4-SPRING - REAR - CURRENT STYLE TRUCK/TRACTOR SUSPENSION



© 2013 Triangle Suspension Systems Inc.

Note: Spring part numbers shown above are only the most common. This is not intended to be an all-encompassing list. Careful verification of all dimensions, capacity and specific application installation factors will determine the final selection of the replacement spring.

Volvo, 7400 Series, Front, Truck/Tractor Suspension



Volvo, Airtek, Vehicles built with Steertek NXT Axle after July 2011, Front, Tractor/Trailer Suspension



VOLVO

AIRTEK

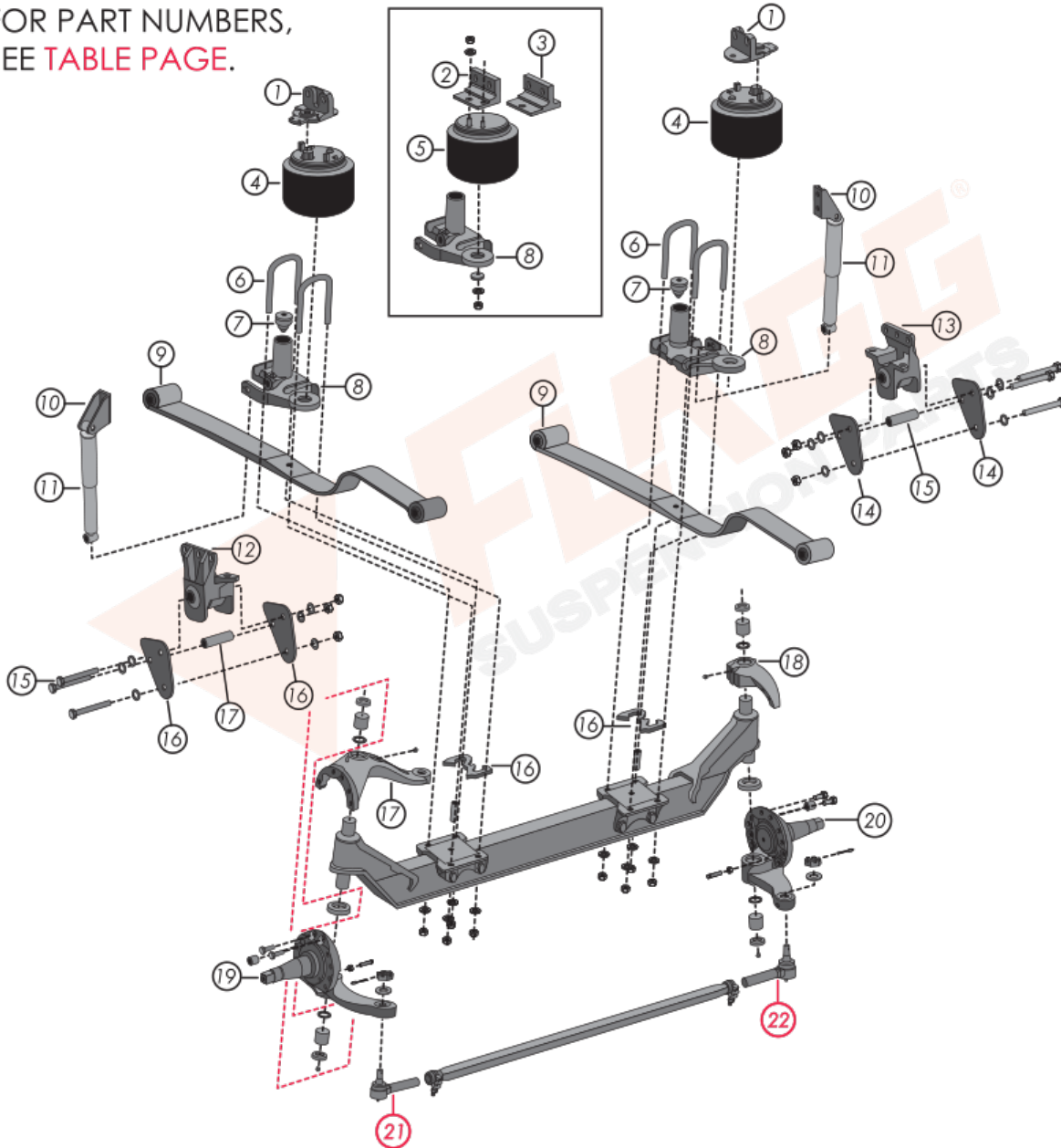
VEHICLES BUILT W/STEEERTEK NXT AXLE AFTER JULY 2011

TRUCK/TRACTOR SUSPENSION

***BOLD RED NUMBERS REFLECT TRIANGLE PART NUMBERS**

**ITALICIZED BLACK NUMBERS REFLECT OEM NUMBERS (USE FOR REFERENCE ONLY)*

FOR PART NUMBERS,
SEE **TABLE PAGE**.



© 2017 Triangle Suspension Systems Inc.

Volvo, Airtek, Vehicles built with Steertek NXT Axle after July 2011, TABLE PAGE

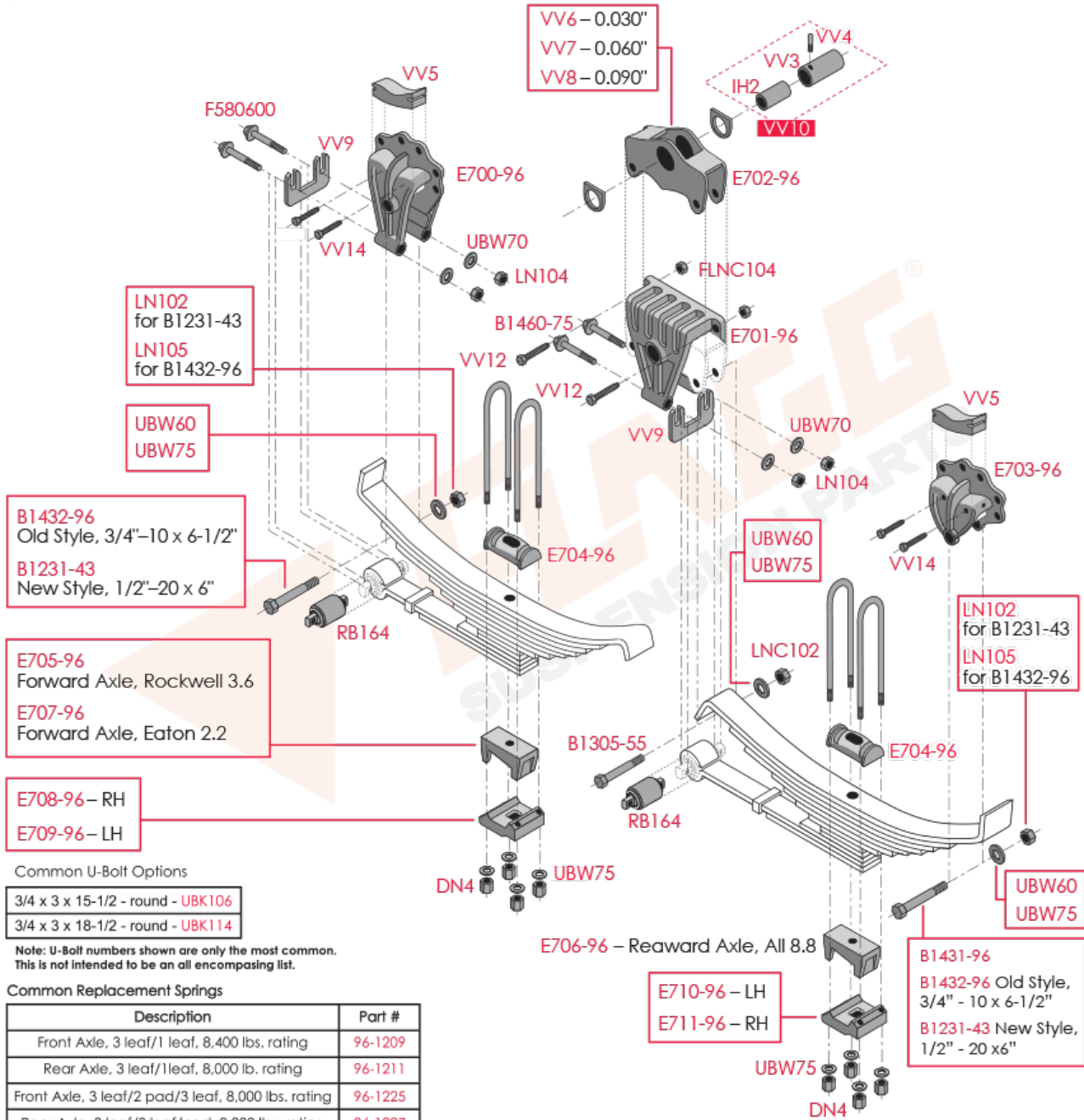
VOLVO AIRTEK VEHICLES BUILT W/STEEERTEK NXT AXLE AFTER JULY 2011 TRUCK/TRACTOR SUSPENSION

①	60757-000 60976-000	AIR SPRING BRACKET	⑮	60631-002 68957-0XX	SHACKLE STOP SPACER STEEERTEK NXT AXLE ASSEMBLY
②	60738-002	AIR SPRING BRACKET	⑯	64318-028	AXLE SPACER, 366 MM RIDE HEIGHT, 28 MM
③	60738-001	AIR SPRING BRACKET	⑰	60903-411 60903-413	UPPER STEERING KNUCKLE ASSEMBLY LH, 338 MM RIDE HEIGHT LH, 366 MM RIDE HEIGHT
④	66349-002L	AIR SPRING	⑱	60904-402	UPPER STEERING KNUCKLE ASSEMBLY, RH
⑤	60716-002L	AIR SPRING	⑲	58900-407 58900-409 58900-417 58900-419	LOWER STEERING KNUCKLE ASSEMBLY LH, 190 ACKERMAN STD HUB LH, 190 ACKERMAN STD HUB LH, 190 ACKERMAN UNITIZED HUB LH, 190 ACKERMAN UNITIZED HUB
⑥	65663-005 65663-006	338 MM RIDE HEIGHT, BOLT LENGTH 255 MM 366 MM RIDE HEIGHT, BOLT LENGTH 275 MM	⑳	58900-408 58900-410 58900-418 58900-420	LOWER STEERING KNUCKLE ASSEMBLY RH, 190 ACKERMAN STD HUB RH, 190 ACKERMAN STD HUB RH, 190 ACKERMAN UNITIZED HUB RH, 190 ACKERMAN UNITIZED HUB
⑦	64080-000	RUBBER AXLE STOP	㉑	ES3177L	TIE ROD END, LH
⑧	69656-002 69660-002	TOP PAD ASSEMBLY RH, 266 FRAME RAIL RH, 300 FRAME RAIL	㉒	ES3176R	TIE ROD END, RH
⑨	53216-000	LEAF SPRING ASSEMBLY WITH BUSHINGS			
⑩	59423-008	UPPER SHOCK BRACKET			
⑪	64838-003L	SHOCK ABSORBER			
⑫	68548-001 68554-001	REAR SHACKLE BRACKET W/BUSHING LH, 266 FRAME RAIL LH, 300 FRAME RAIL			
⑬	68548-002 68554-002	REAR SHACKLE BRACKET W/BUSHING RH, 266 FRAME RAIL RH, 300 FRAME RAIL			
⑭	64794-000	SHACKLE PLATE			

Volvo, Corporate 4-Spring Current Style, Rear, Truck/Tractor Suspension



WHITE GMC VOLVO 4-SPRING - REAR - CURRENT STYLE TRUCK/TRACTOR SUSPENSION



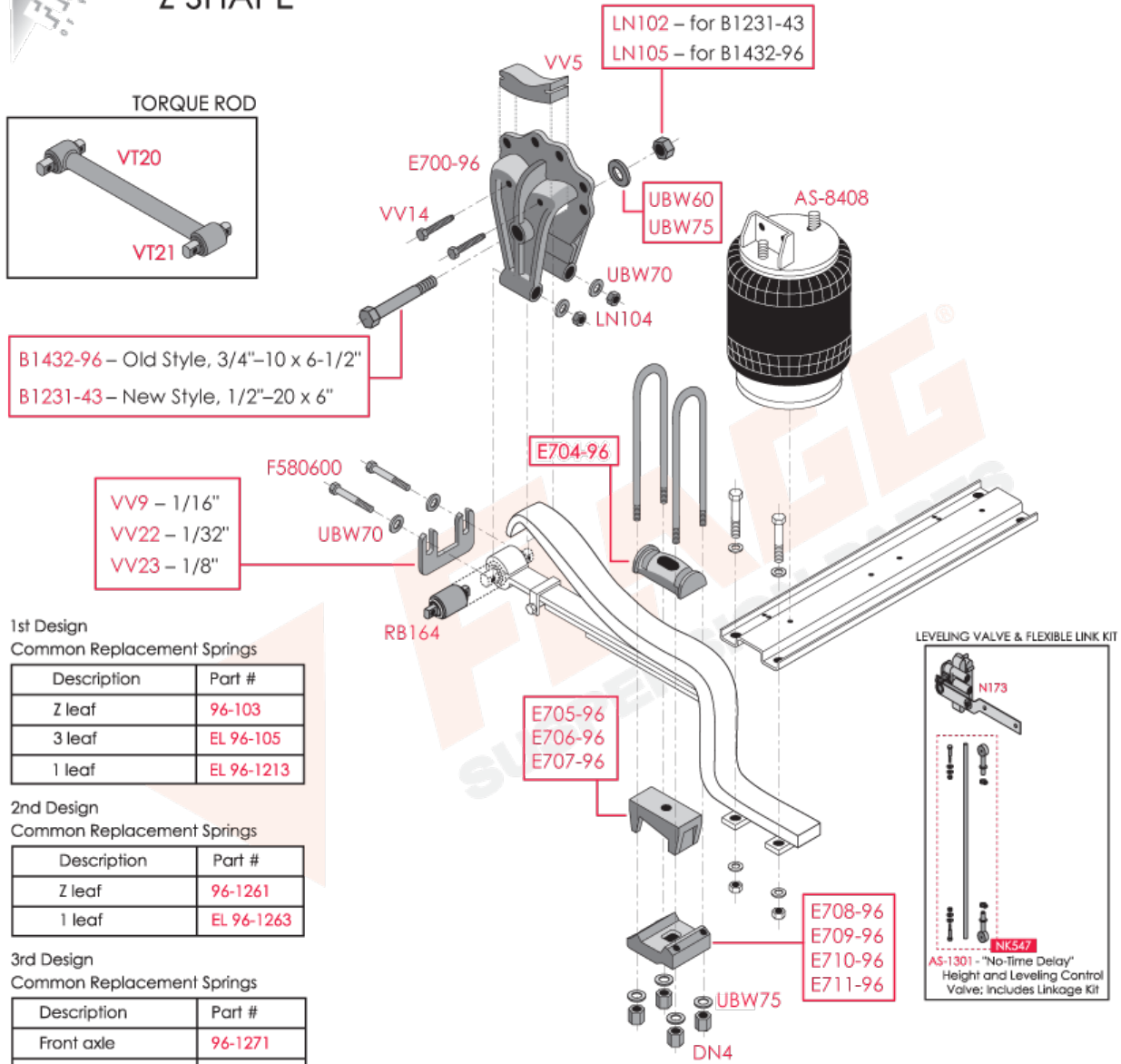
© 2018 Triangle Suspension Systems Inc.

Note: Spring part numbers shown above are only the most common. This is not intended to be an all-encompassing list. Careful verification of all dimensions, capacity and specific application installation factors will determine the final selection of the replacement spring.

Volvo, Corporate Air Ride, "Z" shape, Rear, Truck/Tractor Suspension



WHITE/GMC/VOLVO CORPORATE AIR RIDE - REAR Z SHAPE



B1432-96 – Old Style, 3/4"–10 x 6-1/2"
B1231-43 – New Style, 1/2"–20 x 6"

VV9 – 1/16"
VV22 – 1/32"
VV23 – 1/8"

1st Design Common Replacement Springs

Description	Part #
Z leaf	96-103
3 leaf	EL 96-105
1 leaf	EL 96-1213

2nd Design Common Replacement Springs

Description	Part #
Z leaf	96-1261
1 leaf	EL 96-1263

3rd Design Common Replacement Springs

Description	Part #
Front axle	96-1271
Rear axle	96-1273
Front axle, 1 leaf	EL 96-1275
Rear axle, 1 leaf	EL 96-1269

4th Design Common Replacement Springs

Description	Part #
2004 year model, 1 leaf	EL 96-1315

5th Design Common Replacement Springs

Description	Part #
Front axle	96-1311
Rear axle	96-1319
Front axle, 1 leaf	EL 96-1321
Rear axle, 1 leaf	EL 96-1323

Common U-Bolt Options

3/4 x 3 x 13-1/2 - round - UBK121
3/4 x 3 x 15-1/2 - round - UBK106

Note: U-Bolt numbers shown are only the most common. This is not intended to be an all encompassing list.

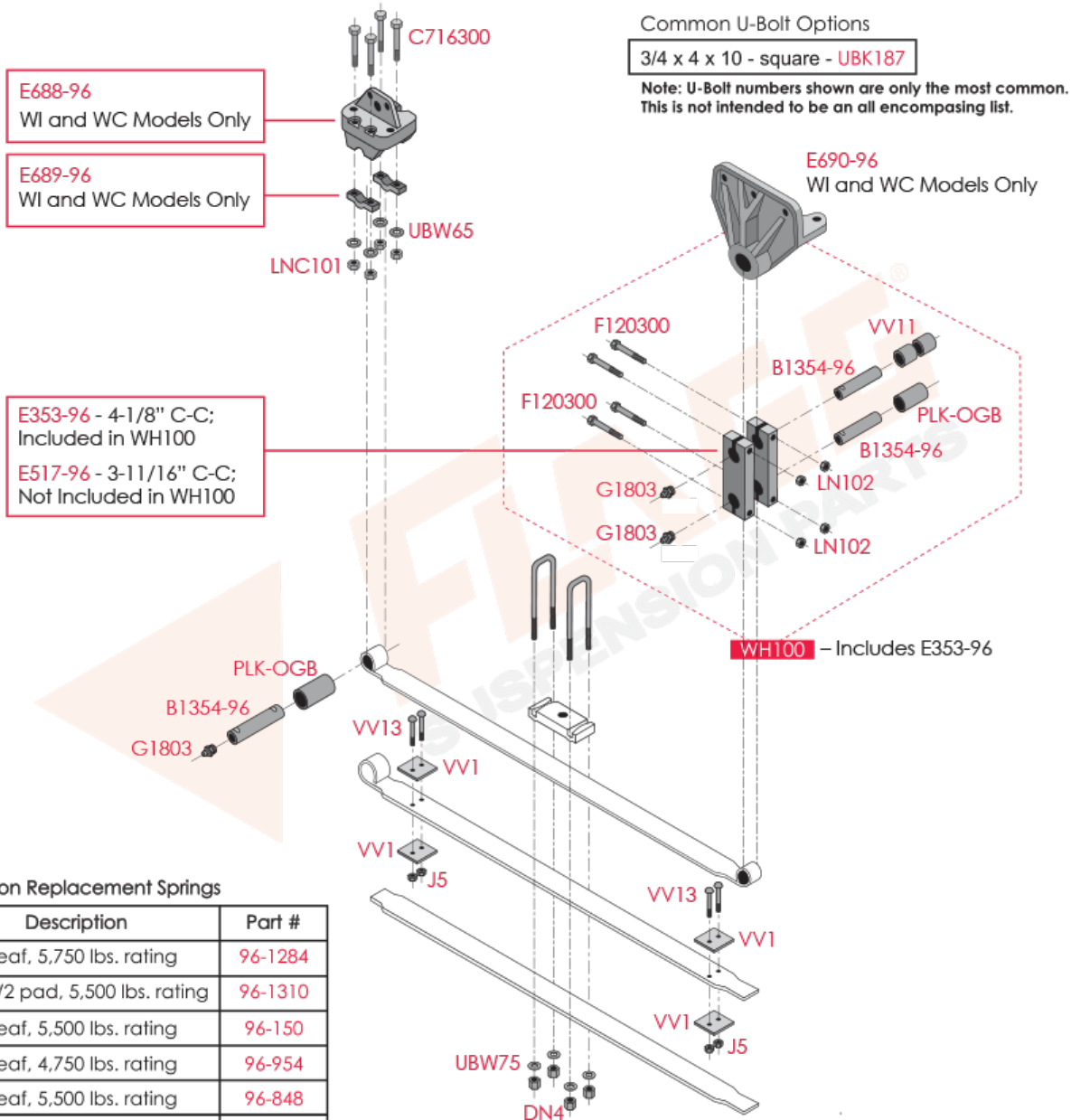
© 2013 Triangle Suspension Systems Inc.

Note: Spring part numbers shown above are only the most common. This is not intended to be an all-encompassing list. Careful verification of all dimensions, capacity and specific application installation factors will determine the final selection of the replacement spring.

Volvo, Expedito, Road Commander II, WI, WC, WA, WG, WH, WS, WX, Front, Truck/Tractor Suspension



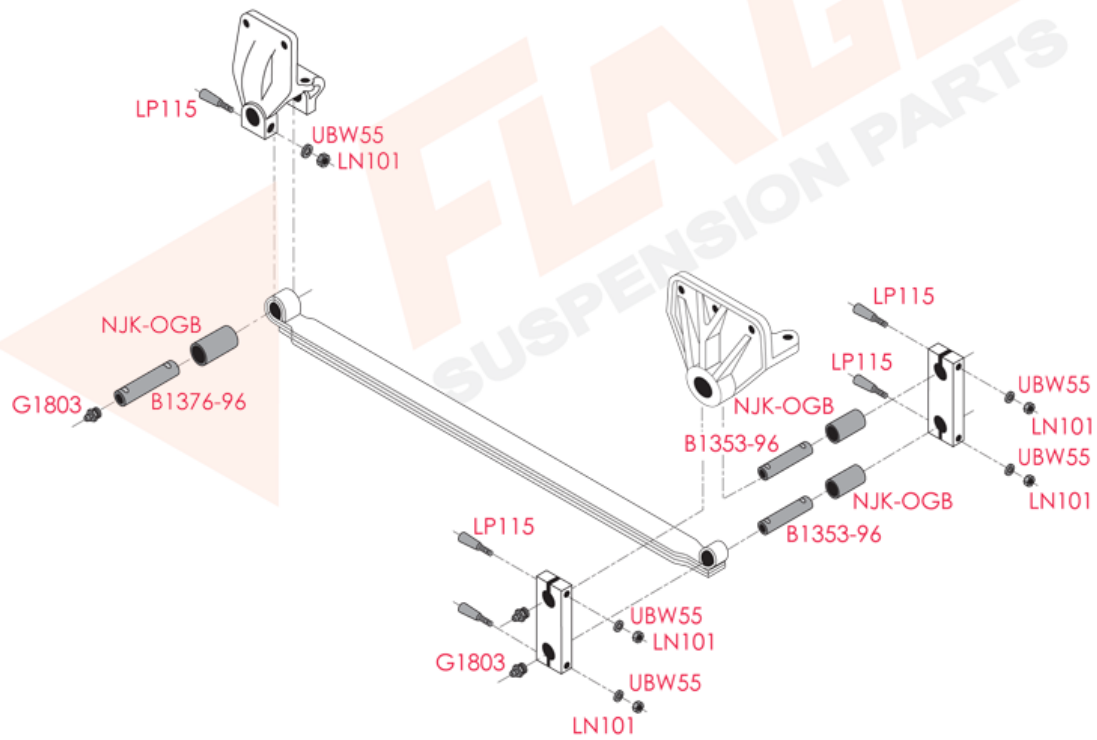
WHITE GMC VOLVO EXPEDITOR, ROAD COMMANDER, WI & WC - (FRONT) TRUCK/TRACTOR SUSPENSION



© 2019 Triangle Suspension Systems Inc.

Note: Spring part numbers shown above are only the most common. This is not intended to be an all-encompassing list. Careful verification of all dimensions, capacity and specific application installation factors will determine the final selection of the replacement spring.

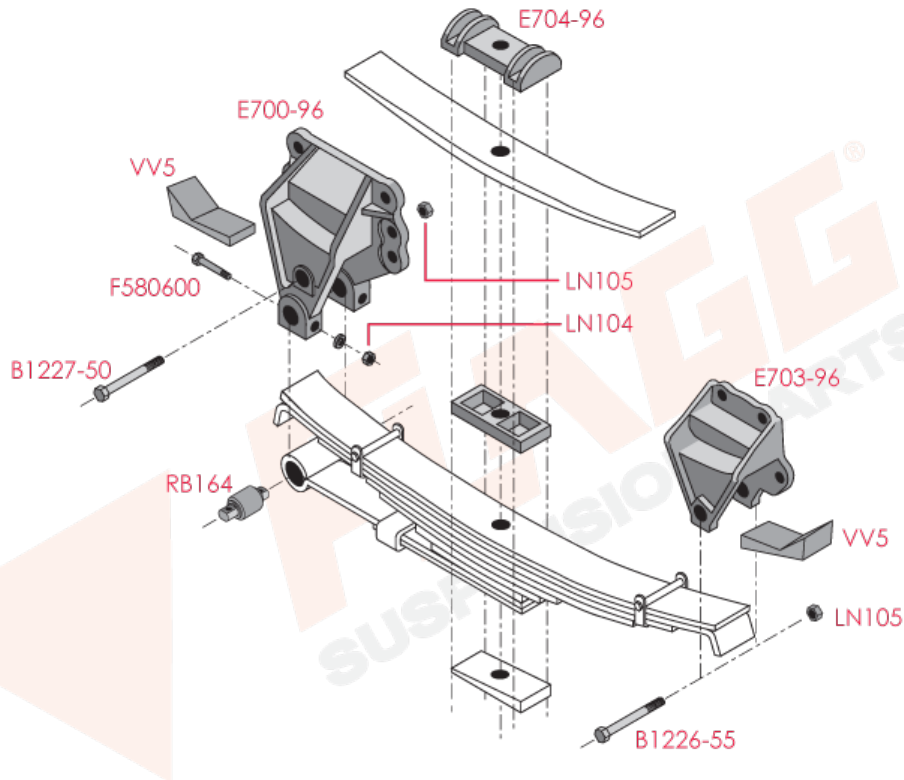
Volvo, Road Boss 1 & 2, Road Commander 1, Construcktor 7400 Series, Front, Truck/Tractor Suspension



Volvo, Single Axle Springs with Torque Arm, Rear, Truck/Tractor Suspension



VOLVO/WHITE/GMC SINGLE AXLE SPRINGS W/TORQUE ARM MODELS WITH CAST HANGERS TRUCK/TRACTOR SUSPENSION



Common U-Bolt Options

7/8 x 3 x 17-1/2 - round - UBK133
7/8 x 3 x 19-1/2 - round - UBK273
7/8 x 3 x 22-1/2 - round - UT-5321R

Note: U-Bolt numbers shown are only the most common. This is not intended to be an all encompassing list.

Common Replacement Springs

Description	Part #
10 leaf/3 leaf - 10,000 lb. rating	96-135
11 leaf/3 leaf - 11,500 lb. rating	96-147

© 2013 Triangle Suspension Systems Inc.

Note: Spring part numbers shown above are only the most common. This is not intended to be an all-encompassing list. Careful verification of all dimensions, capacity and specific application installation factors will determine the final selection of the replacement spring.

Volvo, T, B, M Ride, Rear, Truck/Tractor Suspension



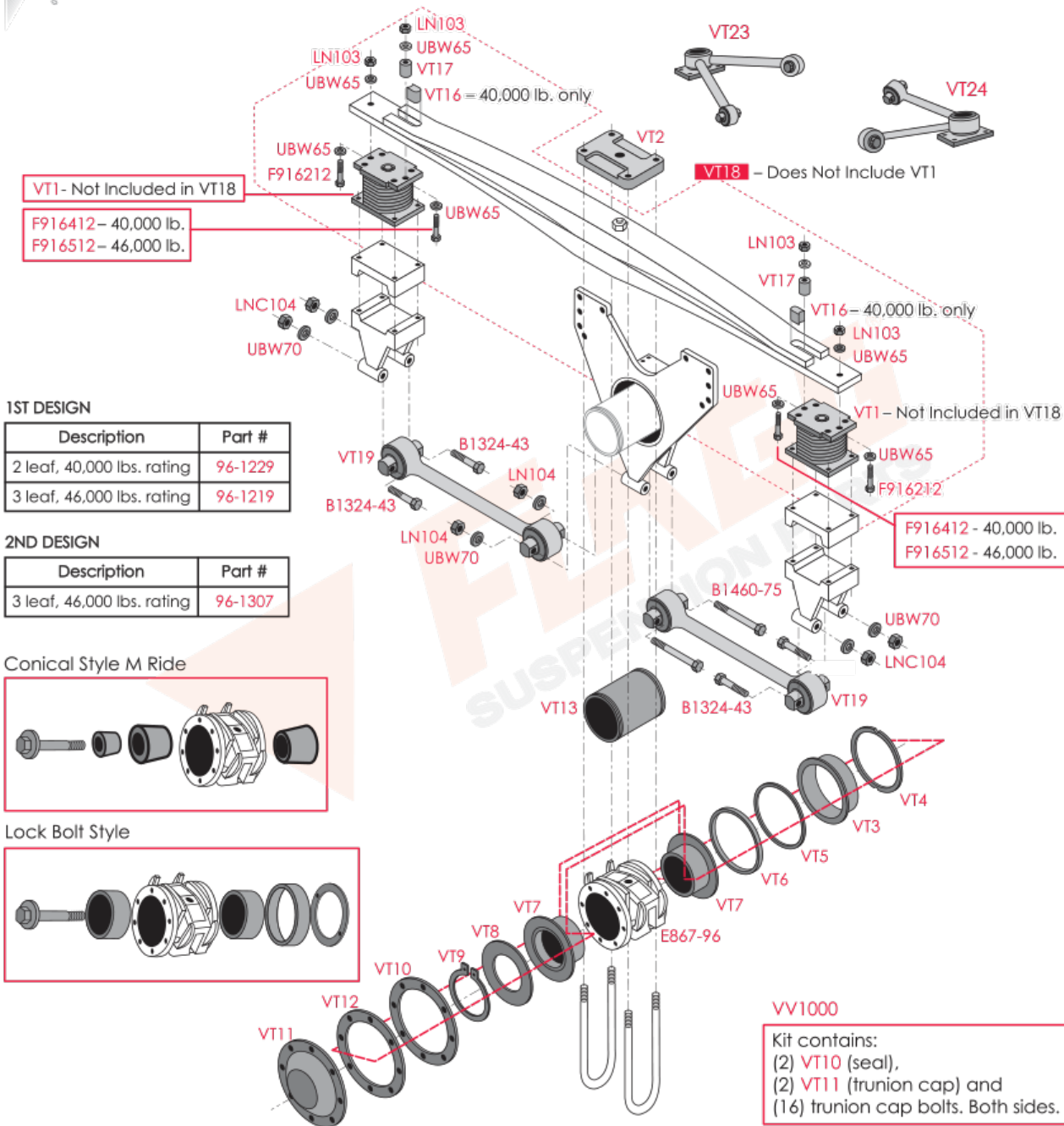
WHITE GMC VOLVO T, B, M RIDE - REAR TRUCK/TRACTOR SUSPENSION

Common U-Bolt Options

3/4 x 4 x 10-1/2 - round - **UBK177**

3/4 x 4 x 12-1/2 - round - **UBK104**

Note: U-Bolt numbers shown are only the most common. This is not intended to be an all encompassing list.



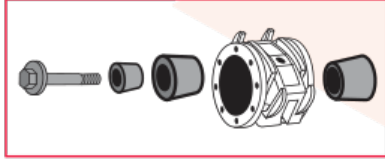
1ST DESIGN

Description	Part #
2 leaf, 40,000 lbs. rating	96-1229
3 leaf, 46,000 lbs. rating	96-1219

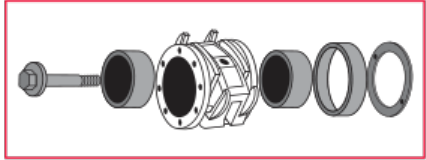
2ND DESIGN

Description	Part #
3 leaf, 46,000 lbs. rating	96-1307

Conical Style M Ride



Lock Bolt Style



VV1000
Kit contains:
(2) VT10 (seal),
(2) VT11 (trunion cap) and
(16) trunion cap bolts. Both sides.

Note: Spring part numbers shown above are only the most common. This is not intended to be an all-encompassing list. Careful verification of all dimensions, capacity and specific application installation factors will determine the final selection of the replacement spring.

© 2018 Triangle Suspension Systems Inc.

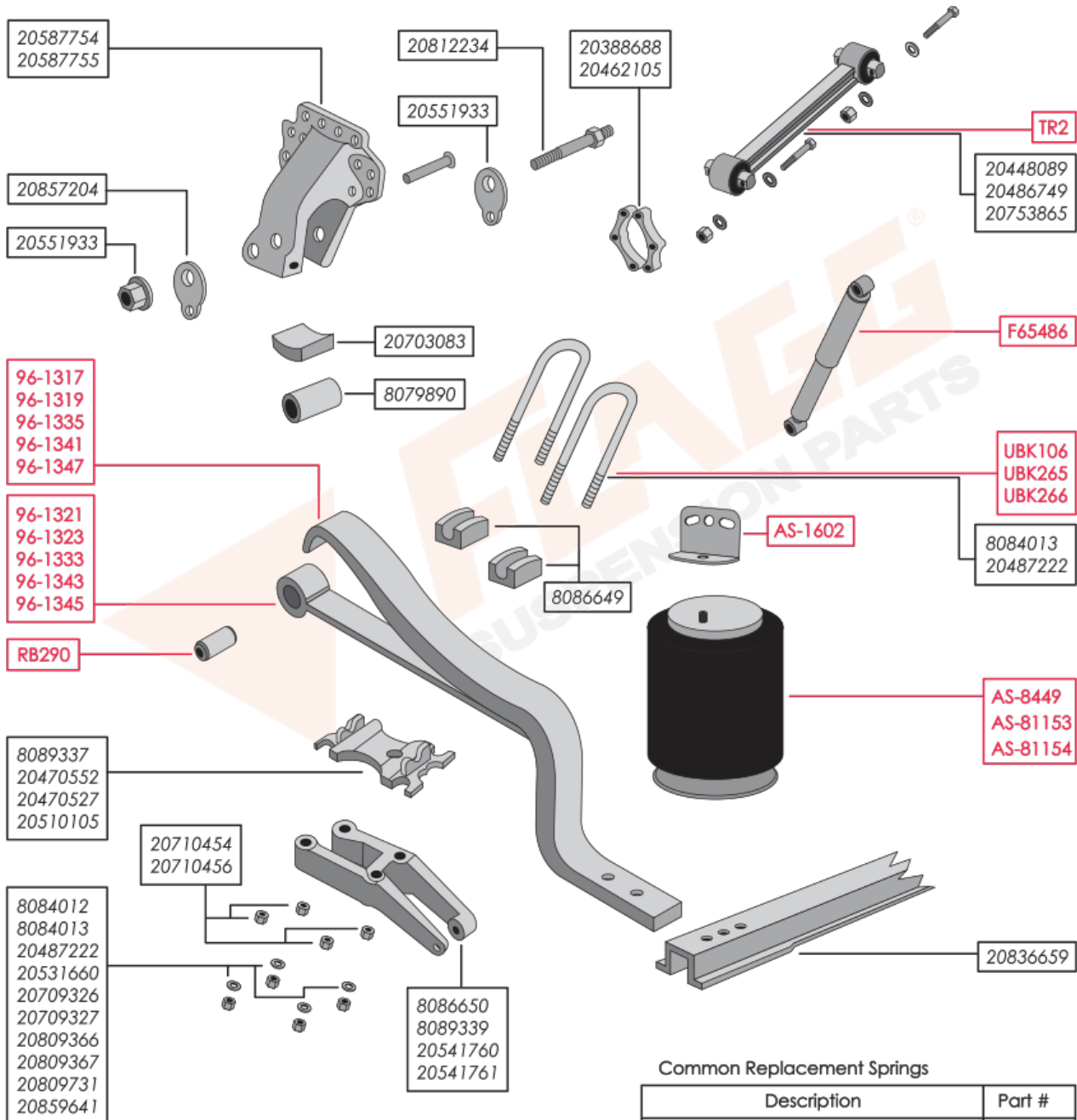
Volvo, VN, VT Models (Z Spring), Rear, Truck/Tractor Suspension



VOLVO/MACK VN, VT MODELS - REAR TRUCK SUSPENSION

***BOLD RED NUMBERS REFLECT TRIANGLE PART NUMBERS**

**ITALICIZED BLACK NUMBERS REFLECT OEM NUMBERS (USE FOR REFERENCE ONLY)*



Volvo, VN, VT Models, Front, Truck/Tractor Suspension



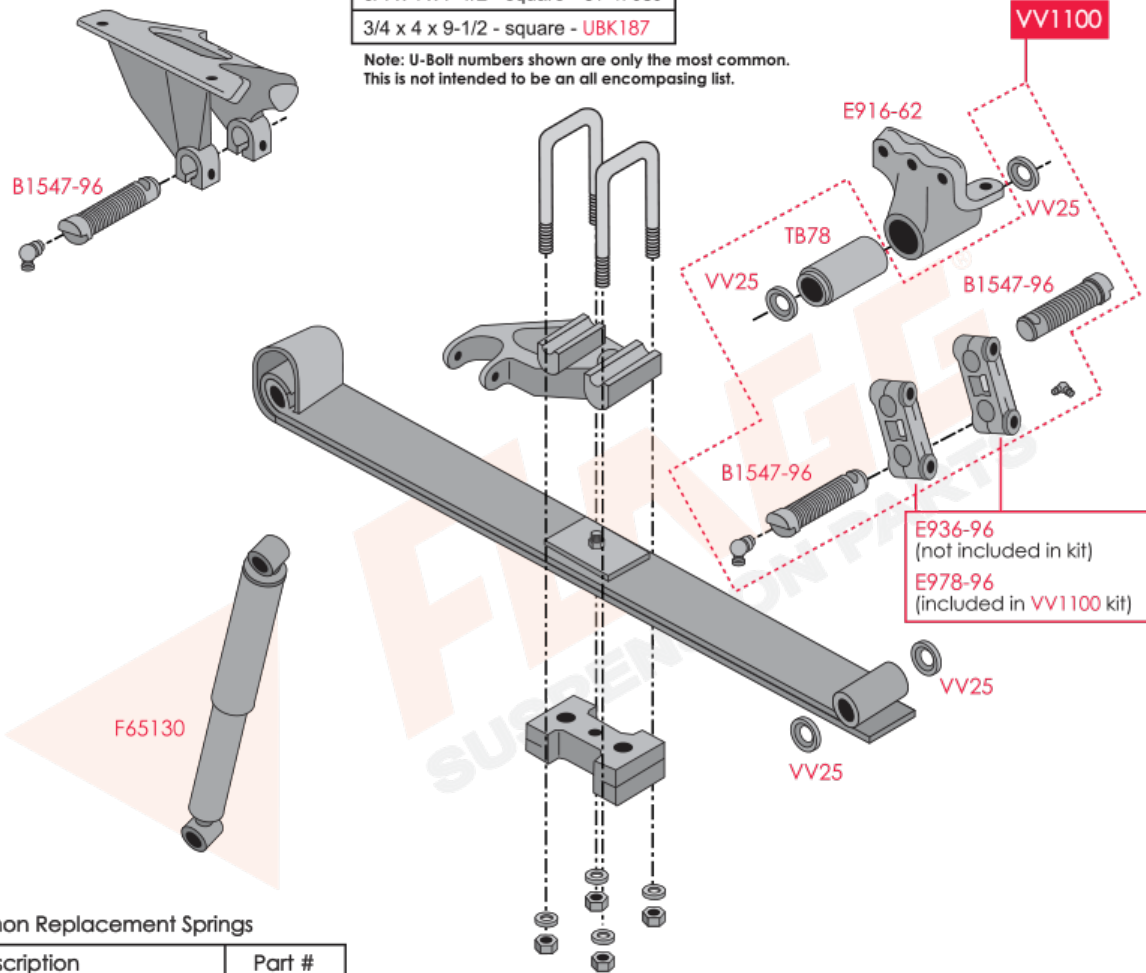
VOLVO/WHITE/GMC VN, VT MODELS - FRONT TRUCK SUSPENSION

Common U-Bolt Options

3/4 x 4 x 7-1/2 - square - UT-4908S

3/4 x 4 x 9-1/2 - square - UBK187

Note: U-Bolt numbers shown are only the most common.
This is not intended to be an all encompassing list.



Common Replacement Springs

Description	Part #
2 leaf - 5,500 lb. rating	96-1308
2 leaf - 6,100 lb. rating	96-1318
2 leaf - 6,600 lb. rating	96-1314

Common Replacement Springs

Description	Part #
(Conventional) 4" wide, 3 lvs. 26.13 x 26.50, TB78 bushing both ends	96-1338
(Car Carrier) 4" wide 2 lvs. 26.19 x 26.44, TB78 bushing both ends	96-1340

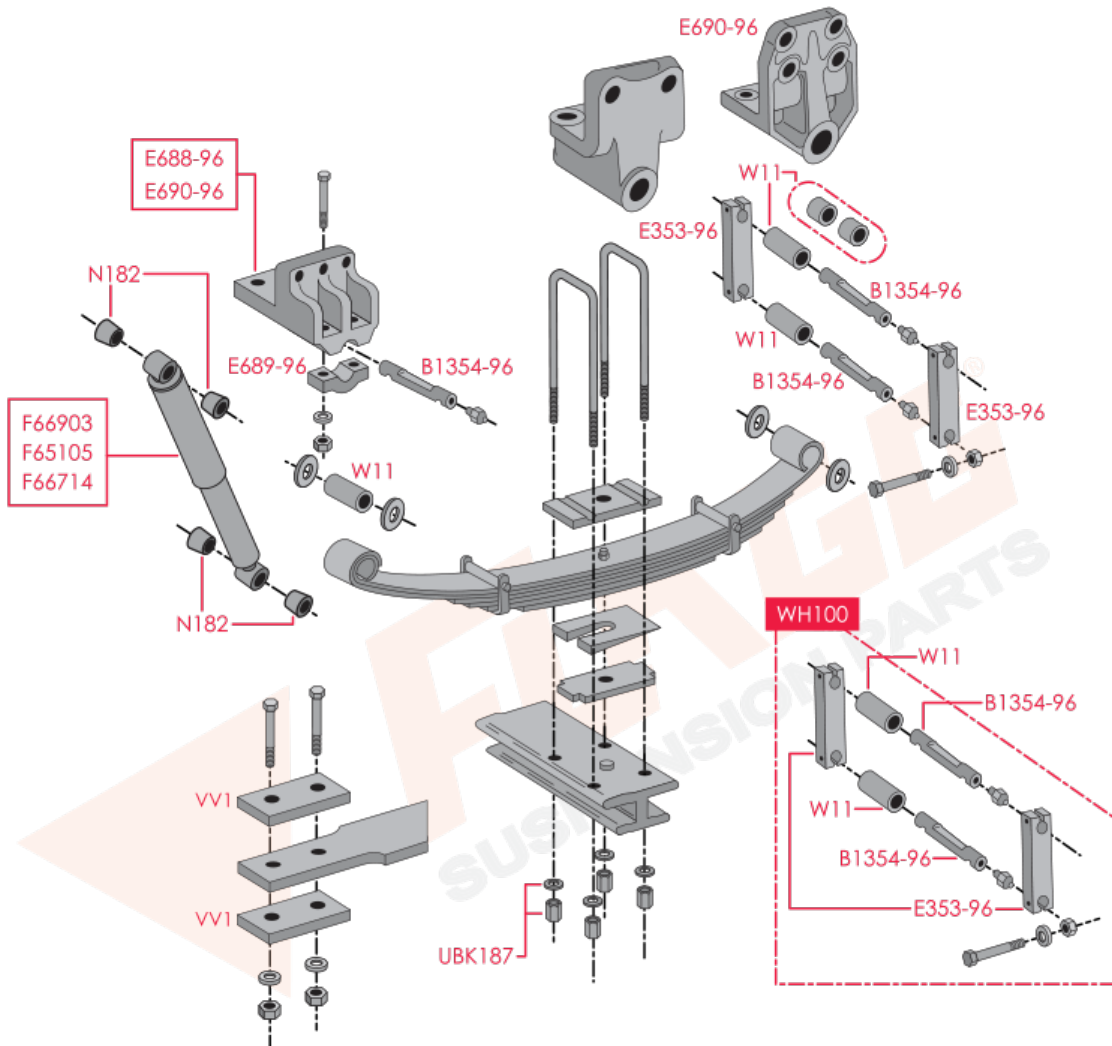
Note: Spring part numbers shown above are only the most common. This is not intended to be an all-encompassing list. Careful verification of all dimensions, capacity and specific application installation factors will determine the final selection of the replacement spring.

© 2018 Triangle Suspension Systems Inc.

Volvo, W Models, Front, Truck/Tractor Suspension



VOLVO/WHITE/GMC W MODELS - FRONT TRUCK SUSPENSION



Common Replacement Springs

Description	Part #
2 leaf/pad - 5,750 lb. rating	96-1284
2 leaf/2 pads - 5,500 lb. rating	96-1310
3 leaf - 5,500 lb. rating	96-150
3 leaf - 4,750 lb. rating	96-954
3 leaf - 5,500 lb. rating	96-848
3 leaf - 5,500 lb. rating	96-956
3 leaf - 6,500 lb. rating	96-884
4 leaf - 9,500 lb. rating	96-990

Common U-Bolt Options

3/4 x 4 x 10 - square - **UBK187**

Note: U-Bolt numbers shown are only the most common. This is not intended to be an all encompassing list.

© 2019 Triangle Suspension Systems Inc.

Note: Spring part numbers shown above are only the most common. This is not intended to be an all-encompassing list. Careful verification of all dimensions, capacity and specific application installation factors will determine the final selection of the replacement spring.

Western Star, Airtek with Steertek NXT Axle, Model 4900 SA, for Vehicles built after November 2011, Front, Truck/Tractor Suspension



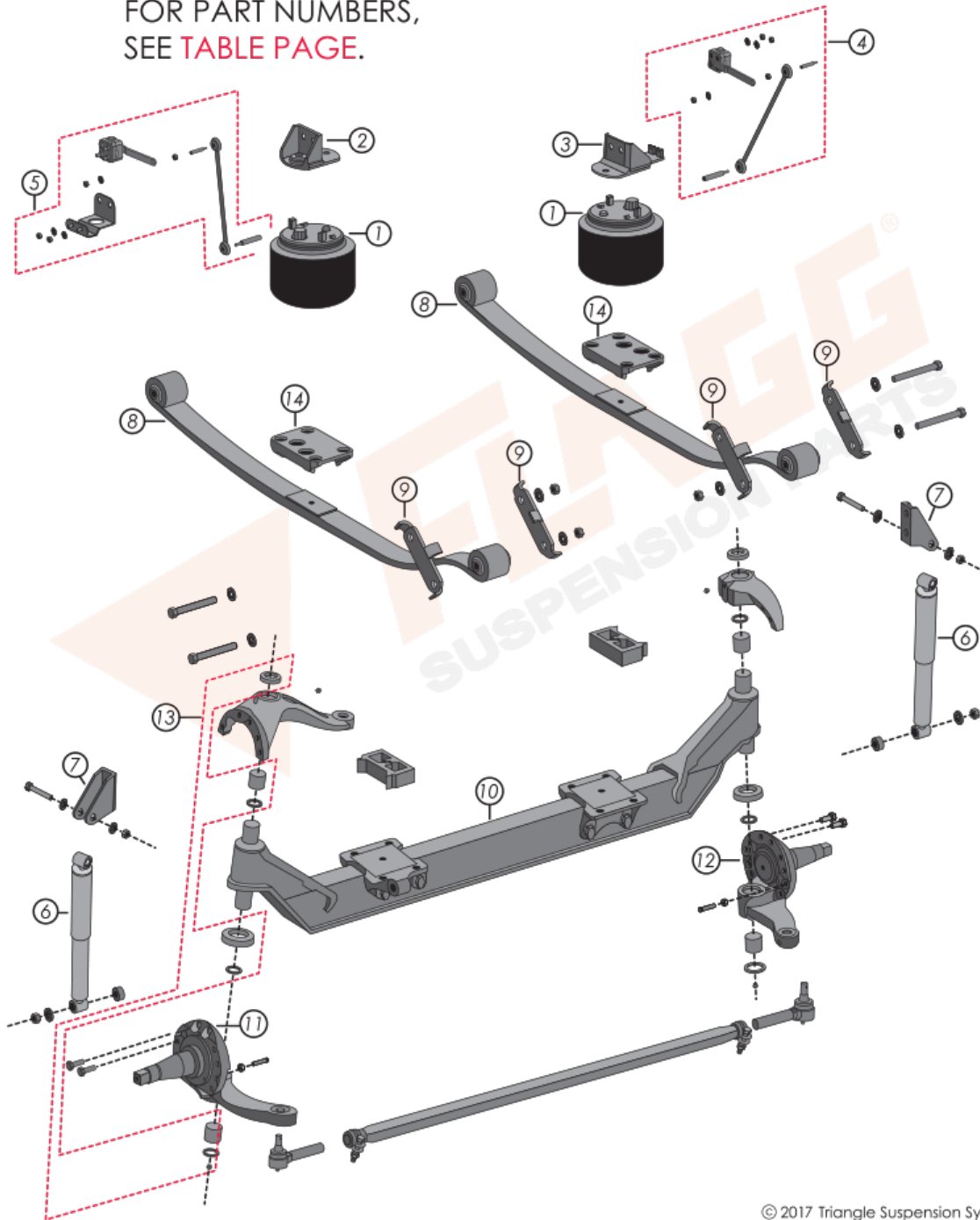
WESTERN STAR

AIRTEK WITH STEERTEK NXT AXLE, MODEL 4900 SA
FOR VEHICLES BUILT AFTER NOVEMBER 2011
TRUCK/TRACTOR SUSPENSION

***BOLD RED NUMBERS REFLECT TRIANGLE PART NUMBERS**

**ITALICIZED BLACK NUMBERS REFLECT OEM NUMBERS (USE FOR REFERENCE ONLY)*

FOR PART NUMBERS,
SEE **TABLE PAGE**.



© 2017 Triangle Suspension Systems Inc.

Western Star, Airtek with Steertek NXT Axle, Model 4900 SA, for Vehicles built after November 2011, TABLE PAGE

WESTERN STAR

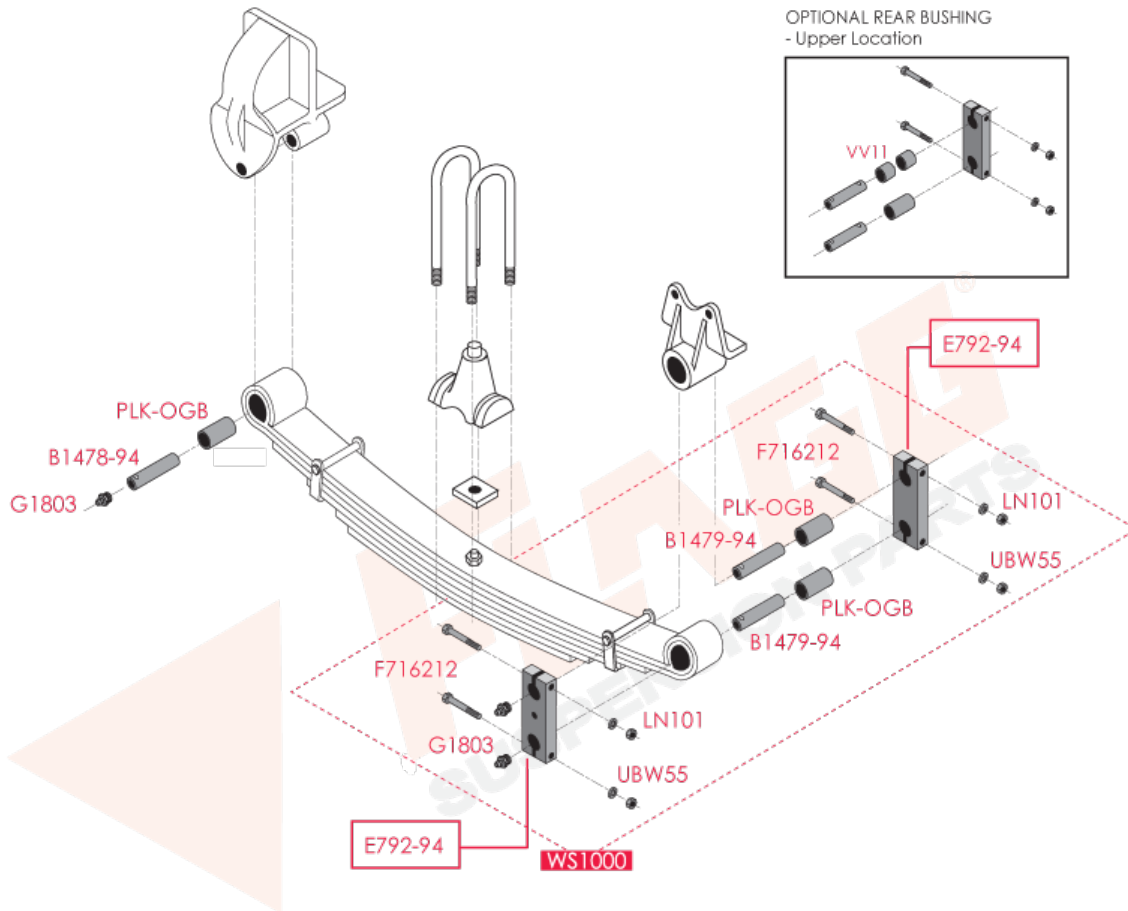
AIRTEK WITH STEERTEK NXT AXLE, MODEL 4900 SA
FOR VEHICLES BUILT AFTER NOVEMBER 2011
TRUCK/TRACTOR SUSPENSION

①	69116-002L	AIR SPRING									
②	60850-001	LH AIR SPRING BRACKET		⑫	58900-402 58900-404 58900-406					RH LOWER STEERING KNUCKLE ASSEMBLY	250 ACKERMANN 200 ACKERMANN 150 ACKERMANN
③	60850-002	RH AIR SPRING BRACKET									
④	59427-019L 59427-027 59427-033 59427-031 59427-032 59427-035	LH HCV & LINKAGE ASSEMBLY 315 MM RIDE HEIGHT, SET BACK 355 MM RIDE HEIGHT, SET BACK 385 MM RIDE HEIGHT, SET BACK 315 MM RIDE HEIGHT, SET FORWARD 355 MM RIDE HEIGHT, SET FORWARD 385 MM RIDE HEIGHT, SET FORWARD		⑬	60904-432 60961-628 60961-629 60961-630					RH UPPER STEERING KNUCKLE ASSEMBLY KINGPIN BUSHING AND BEARING SERVICE KIT, AXLE SET, INCLUDES KIT NOS. 60961-629 & 60961-630 LH KINGPIN BUSHING W/COMPOSITE THRUST BEARING SERVICE KIT RH KINGPIN BUSHING W/ROLLER THRUST BEARING SERVICE KIT	
⑤	59427-019L 59427-027 59427-033	RH HCV & LINKAGE ASSEMBLY 315 MM RIDE HEIGHT 355 MM RIDE HEIGHT 385 MM RIDE HEIGHT		⑭	59826-000					TOP PAD	
⑥	58913-012L	SHOCK ABSORBER									
⑦	59423-001	SHOCK BRACKET									
⑧	59930-055 59930-056 59930-053 59930-054	SPRING									
⑨	68089-001	SHACKLE PLATE									
⑩	68966-001M	AXLE & KING PIN ASSEMBLY									
⑪	58900-401 58900-403 58900-405	LH LOWER STEERING KNUCKLE ASSEMBLY 250 ACKERMANN 200 ACKERMANN 150 ACKERMANN									

Western Star, Front Springs with 1-1/8" Pins, Front, Truck/Tractor Suspension



WESTERN STAR FRONT SPRINGS W/1-1/8" PINS - FRONT TRUCK/TRACTOR SUSPENSION



Common Replacement Springs

Description	Part #
2 leaf - 5,250 lb. rating	94-1242
2 leaf/pad - 5,250 lb. rating	94-1294
3 leaf - 6,500 lb. rating	94-1286
4 leaf - 5,250 lb. rating	94-194
4 leaf - 6,500 lb. rating	94-1244
4 leaf - 7,500 lb. rating	94-1268
4 leaf - 7,500 lb. rating	94-1284
8 leaf - 9,500 lb. rating	94-208

Common U-Bolt Options

3/4 x 4 x 8-1/2 - square - UT-4908S
3/4 x 4 x 9-1/2 - square - UBK187
3/4 x 4 x 10-1/2 - square - UT-4910S

Note: U-Bolt numbers shown are only the most common. This is not intended to be an all encompassing list.

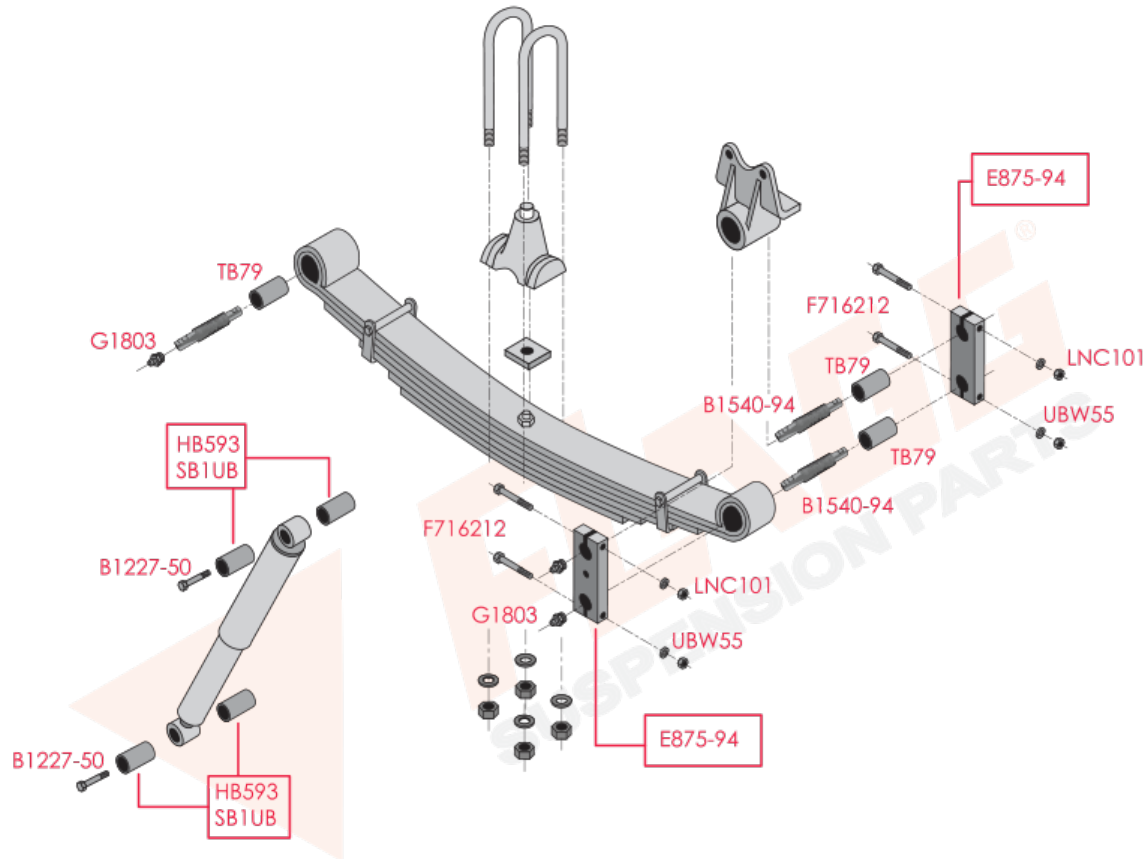
© 2013 Triangle Suspension Systems Inc.

Note: Spring part numbers shown above are only the most common. This is not intended to be an all-encompassing list. Careful verification of all dimensions, capacity and specific application installation factors will determine the final selection of the replacement spring.

Western Star, Front Springs with Threaded Pins, Front, Truck/Tractor Suspension



WESTERN STAR FRONT SPRINGS W/THREADED PINS - FRONT TRUCK/TRACTOR SUSPENSION



Common Replacement Springs

Description	Part #
4 leaf - 7,500 lb. rating	94-1314
4 leaf - 7,500 lb. rating	94-1316
4 leaf - 8,500 lb. rating	94-1318
4 leaf - 9,500 lb. rating	94-1310
8 leaf - 8,500 lb. rating	94-1322
8 leaf - 9,500 lb. rating	94-1324
10 leaf - 11,500 lb. rating	94-1330
9 leaf, TB79 both ends, 10,500 lbs. rating	94-1326
3 leaf, TB79 both ends, 6,500 lbs. rating	94-1360

Common U-Bolt Options

3/4 x 4 x 8-1/2 - square - UT-4908S
3/4 x 4 x 9-1/2 - square - UBK187
3/4 x 4 x 10-1/2 - square - UT-4910S

Note: U-Bolt numbers shown are only the most common. This is not intended to be an all encompassing list.

Note: Spring part numbers shown above are only the most common. This is not intended to be an all-encompassing list. Careful verification of all dimensions, capacity and specific application installation factors will determine the final selection of the replacement spring.

© 2018 Triangle Suspension Systems Inc.

Western Star, Road Boss 1 & 2, Road Comander, Constructor Springs with 1" Pins, Front, Truck/Tractor Suspension

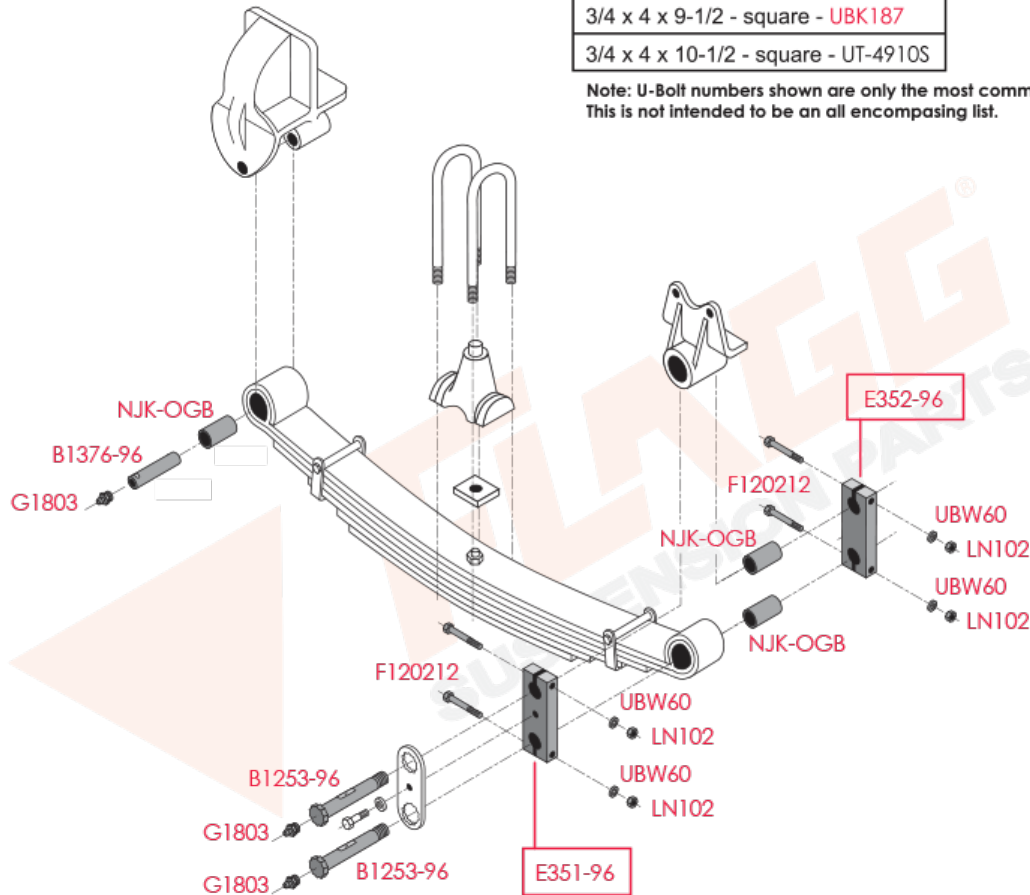


WESTERN STAR FRONT SPRINGS W/1" PINS - FRONT TRUCK/TRACTOR SUSPENSION

Common U-Bolt Options

3/4 x 4 x 8-1/2 - square - UT-4908S
3/4 x 4 x 9-1/2 - square - UBK187
3/4 x 4 x 10-1/2 - square - UT-4910S

Note: U-Bolt numbers shown are only the most common. This is not intended to be an all encompassing list.



Common Replacement Springs

Description	Part #
4 leaf - 5,625 lb. rating	96-692
10 leaf, 7,300 lbs. rating	94-190

© 2018 Triangle Suspension Systems Inc.

Note: Spring part numbers shown above are only the most common. This is not intended to be an all-encompassing list. Careful verification of all dimensions, capacity and specific application installation factors will determine the final selection of the replacement spring.



- “American Made Since 1919”
 - Heavy, Medium, Light Duty Springs
- Manufactured in DuBois, PA
 - Multi-leaf Spring
 - Parabolic (Taper) Spring
 - Steel supplied by U.S. mills
- 6,000 Active SKU’s
 - Manufactured to meet or exceed OE specifications

- Contitech is a leading global supplier and development partner for a world class product line
- Designed to meet OE and Quality Standards backed by a 3 year 300,000 mile warranty
- Offering over 400 Active SKU’s and patented software to find the right replacement air spring



- Supplying OEM quality Suspension parts for over 50 years
- Agreements with major Suspension parts suppliers
- Product coverage for the entire suspension undercarriage



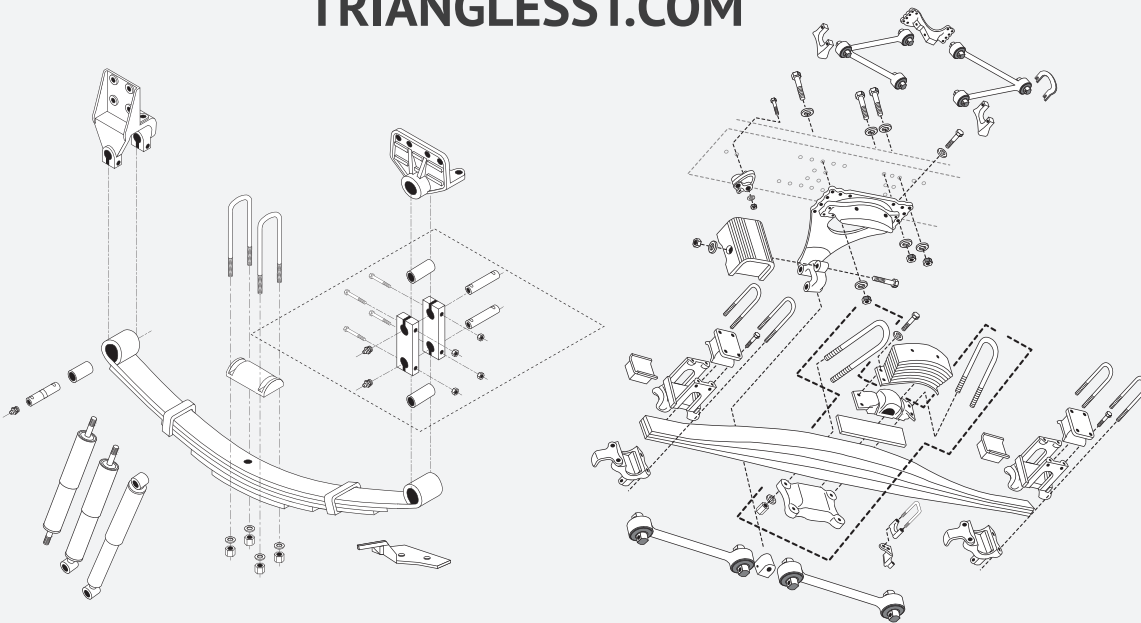
- Suspension Components**
- Frame Hangers
 - Equalizers
 - Beams
 - Spring Seats
 - Rubber and Poly Bushings
 - Axle Wedges
 - Torque Rods
 - Shock Absorbers
 - Fasteners and Pins
 - Axle Wedges

- Coated with Black Rust Inhibitor**
- Grade 5 and 8
 - Threaded Rods with Centerline
 - U-Bolts
 - U-Bolt Kits

- Front End Steering**
- King Pin Sets
 - Tie Rod Ends
 - Drag Links



1-800-458-6077
TRIANGLEUSA.COM
TRIANGLESST.COM



TSS_SIG0619